



US00D636893S

(12) **United States Design Patent**
Nicholls et al.

(10) **Patent No.:** **US D636,893 S**

(45) **Date of Patent:** **** *Apr. 26, 2011**

(54) **DIAGNOSTIC INSTRUMENT**

(75) Inventors: **Anthony Nicholls**, Ledbury (GB); **Mark Hudson**, Ledbury (GB)

(73) Assignee: **L3 Technology Ltd.** (GB)

(**) Term: **14 Years**

(21) Appl. No.: **29/350,279**

(22) Filed: **Nov. 13, 2009**

(30) **Foreign Application Priority Data**

May 15, 2009 (EM) 001514050

(51) **LOC (9) Cl.** **24-01**

(52) **U.S. Cl.** **D24/225**

(58) **Field of Classification Search** D24/216,
D24/222-226, 231, 232, 169; D10/81; 422/100,
422/62-67, 68.1, 99, 102; 436/47, 48
See application file for complete search history.

(56) **References Cited**

U.S. PATENT DOCUMENTS

D252,157 S * 6/1979 Kronish et al. D24/226
D274,261 S * 6/1984 Valencia D24/225
4,761,381 A * 8/1988 Blatt et al. 422/102
D302,294 S * 7/1989 Hillman D24/223
4,963,498 A 10/1990 Hillman et al.
D421,129 S * 2/2000 Haynes D24/224
D438,311 S * 2/2001 Yamanishi et al. D24/225
D472,324 S * 3/2003 Rumore et al. D24/224
7,008,799 B1 3/2006 Zimmer et al.
D530,021 S * 10/2006 Muraca D24/226

(Continued)

FOREIGN PATENT DOCUMENTS

WO WO99/58245 A 11/1999

(Continued)

OTHER PUBLICATIONS

International Search Report for PCT Publication No. WO2010/007431A3 dated Jan. 11, 2010 (3 pages).

(Continued)

Primary Examiner — T. Chase Nelson

Assistant Examiner — Anhdao Doan

(74) *Attorney, Agent, or Firm* — Polsinelli Shughart PC

(57) **CLAIM**

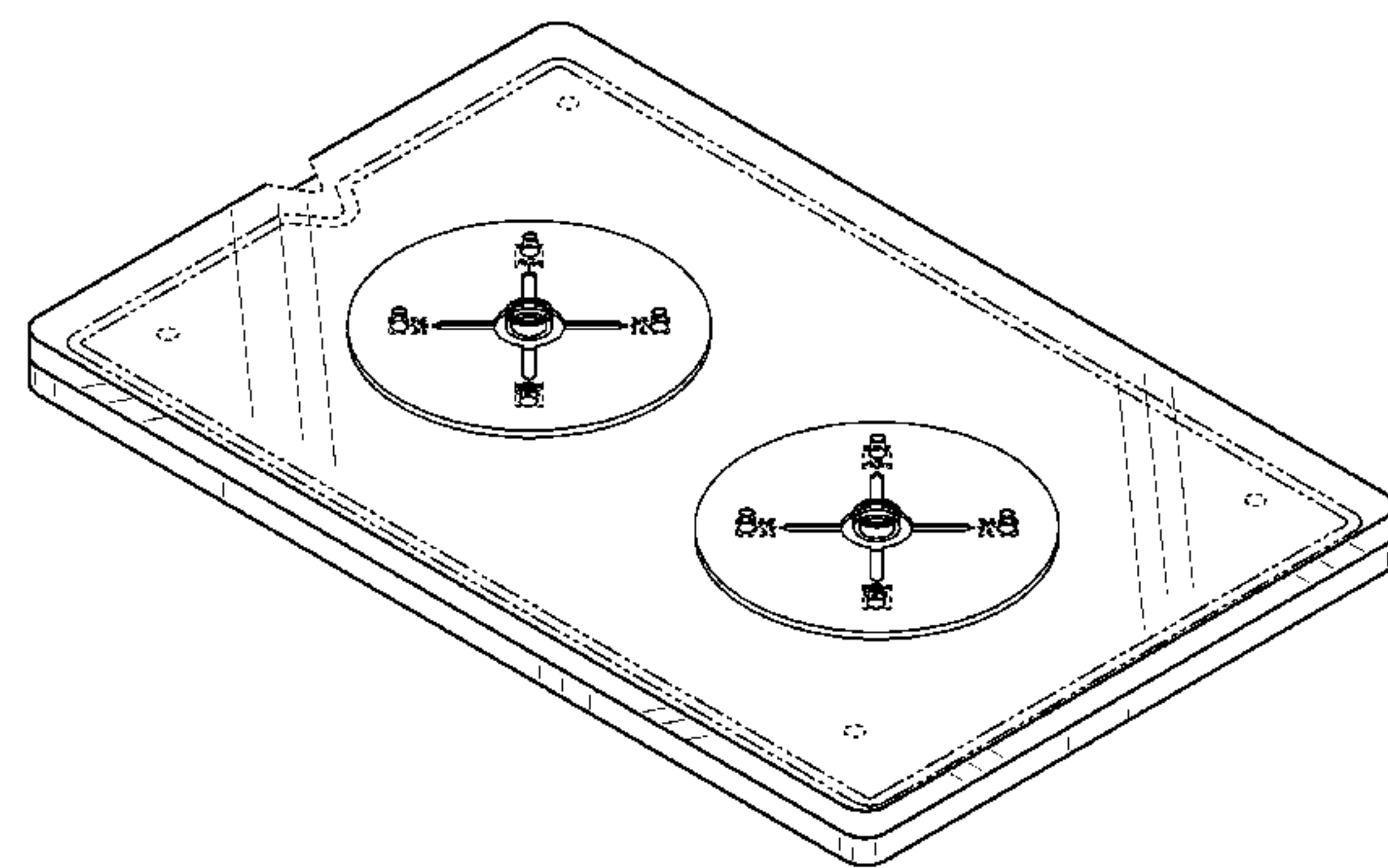
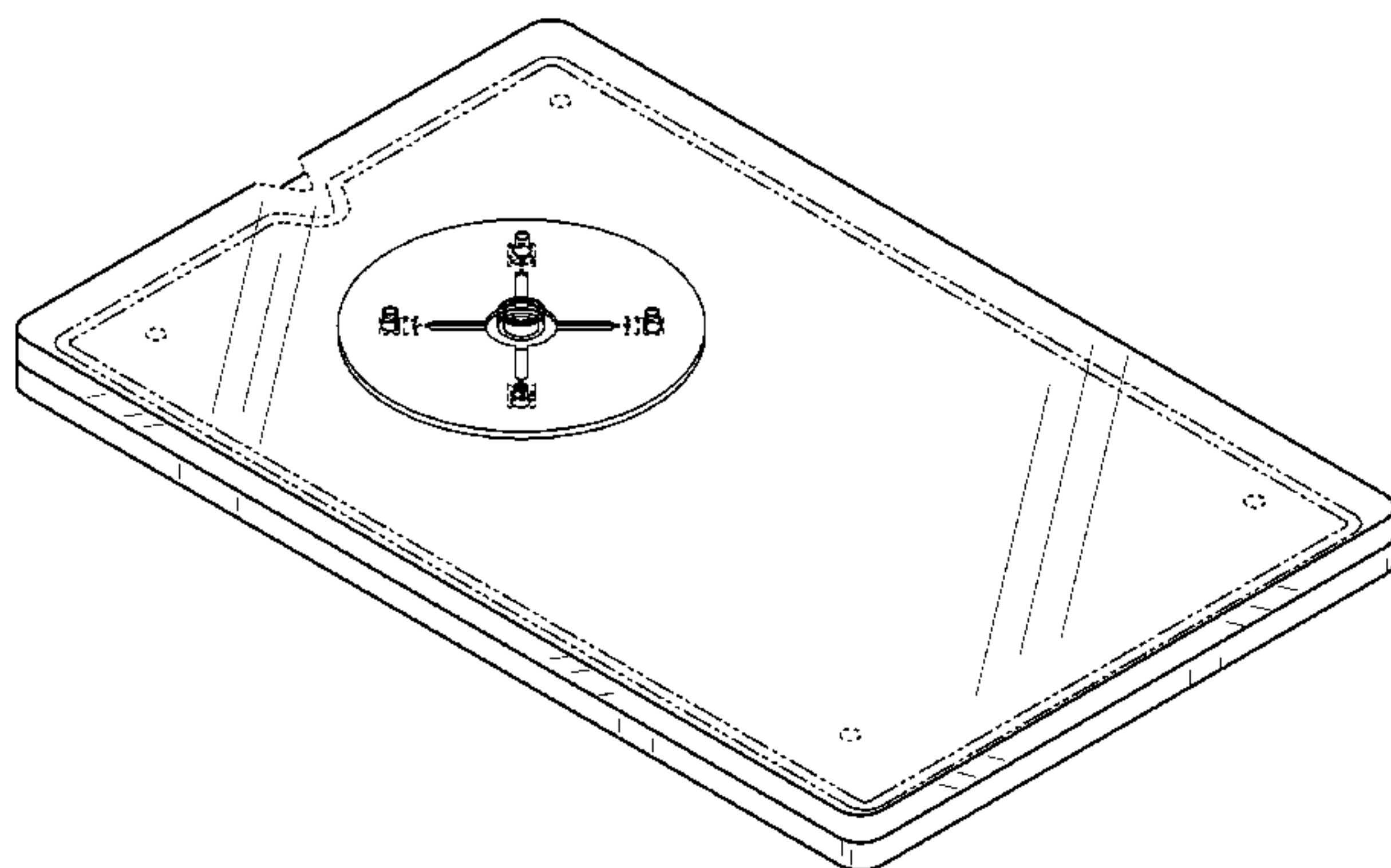
The ornamental design for a diagnostic instrument, as shown and described.

DESCRIPTION

FIG. 1 is a perspective view of the diagnostic instrument; FIG. 2 is an exploded view of the diagnostic instrument; FIG. 3 is a top view of the diagnostic instrument; FIG. 4 is a bottom view of the diagnostic instrument; FIG. 5 is a first side view of the diagnostic instrument; FIG. 6 is a second side view of the diagnostic instrument; FIG. 7 is a first end view of the diagnostic instrument; FIG. 8 is a second end view of the diagnostic instrument; FIG. 9 is a perspective view of the second embodiment of the diagnostic instrument; FIG. 10 is an exploded view of the second embodiment of the diagnostic instrument; FIG. 11 is a top view of the second embodiment of the diagnostic instrument; FIG. 12 is a bottom view of the second embodiment of the diagnostic instrument; FIG. 13 is a first side view of the second embodiment of the diagnostic instrument; FIG. 14 is a second side view of the second embodiment of the diagnostic instrument; FIG. 15 is a first end view of the second embodiment of the diagnostic instrument; and, FIG. 16 is a second end view of the second embodiment of the diagnostic instrument.

The broken lines connecting the corners of the separated diagnostic instrument components shown on the left and right sides of FIGS. 2 and 10 are included to show the order of assembly. All other broken lines in the drawing views are included for the purpose of illustrating portions of the diagnostic instrument that form no part of the claimed design.

1 Claim, 12 Drawing Sheets



US D636,893 S

Page 2

U.S. PATENT DOCUMENTS

D566,850 S * 4/2008 Vermeiden D24/225
7,595,200 B2 * 9/2009 Bedingham et al. 422/102
D621,060 S * 8/2010 Handique D24/225
7,776,267 B2 * 8/2010 Lee et al. 422/72
7,790,109 B2 * 9/2010 Kim et al. 422/68.1
7,799,553 B2 * 9/2010 Mathies et al. 435/283.1
2003/0072679 A1 * 4/2003 Johnson et al. 422/63
2006/0110294 A1 5/2006 Engstrom et al.
2006/0116270 A1 * 6/2006 Hatamian et al. 422/102
2009/0252651 A1 * 10/2009 Park et al. 422/99

FOREIGN PATENT DOCUMENTS

WO WO01/47637 A 7/2001
WO WO03/072227 A 9/2003
WO WO2010/007431 A3 1/2010
WO WO2010/007432 A3 1/2010

OTHER PUBLICATIONS

International Search Report for PCT Publication No. WO2010/
007432A3 dated Nov. 12, 2009 (5 pages).

* cited by examiner

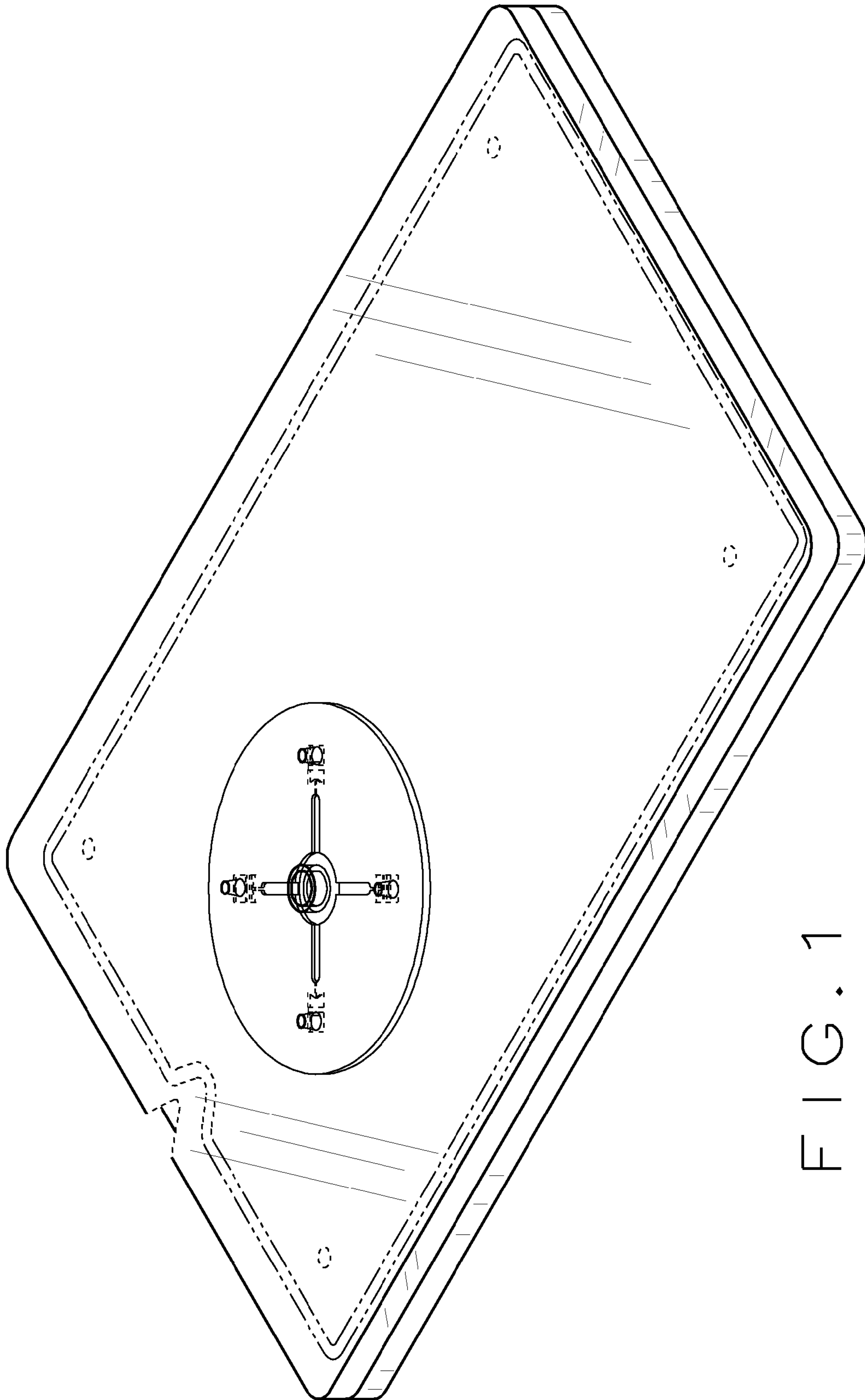


FIG. 1

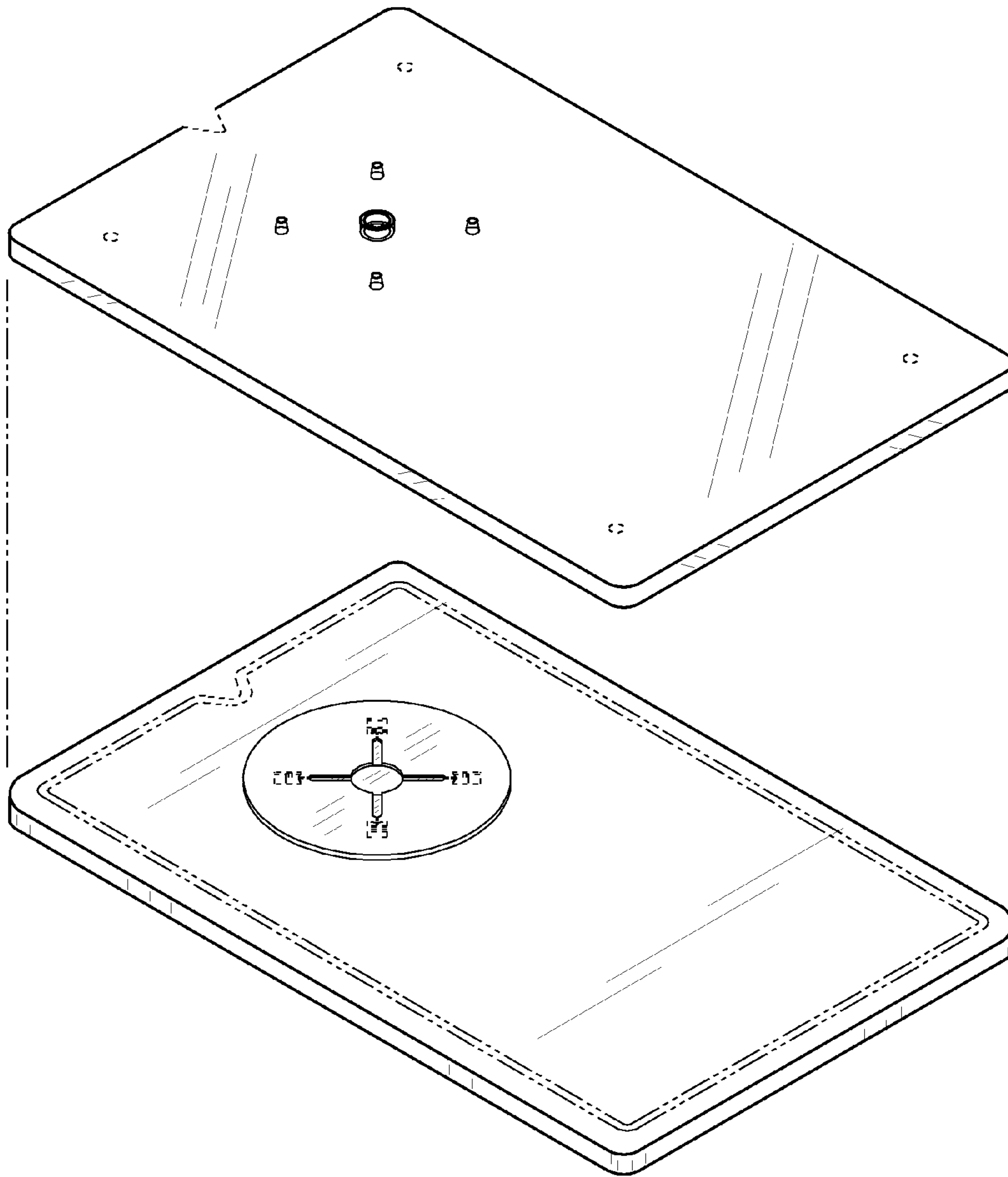


FIG. 2

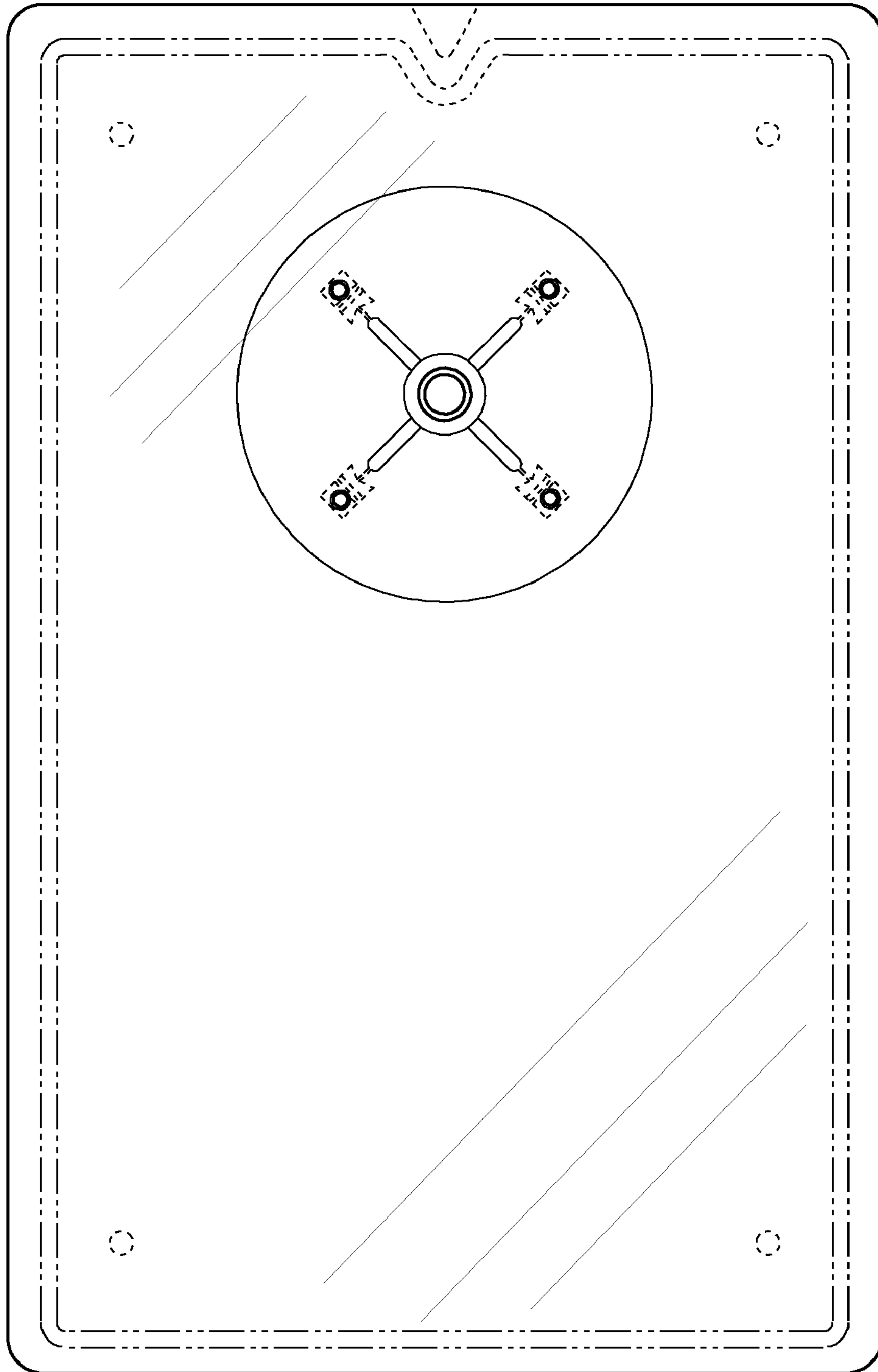


FIG. 3

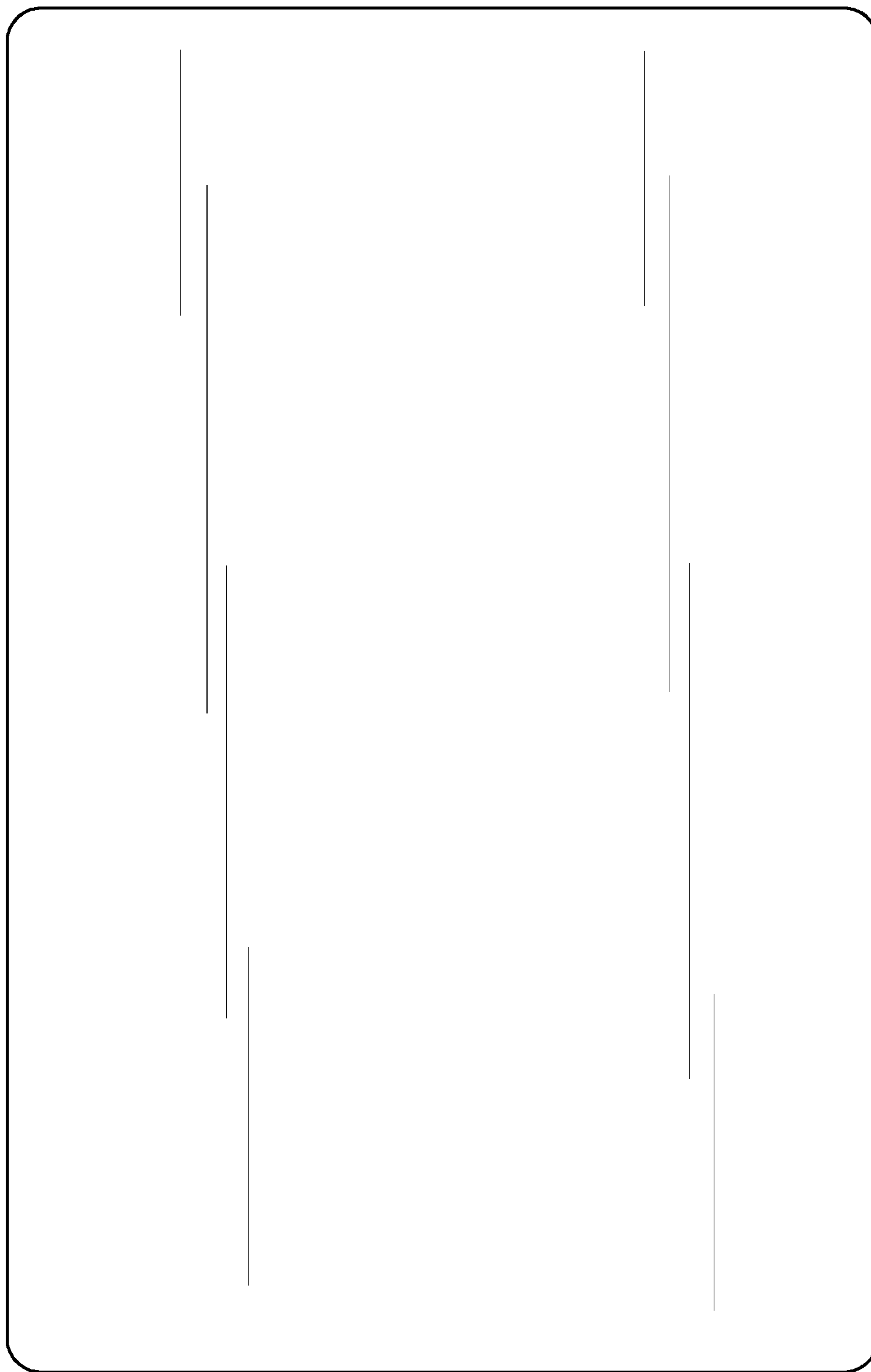


FIG. 4

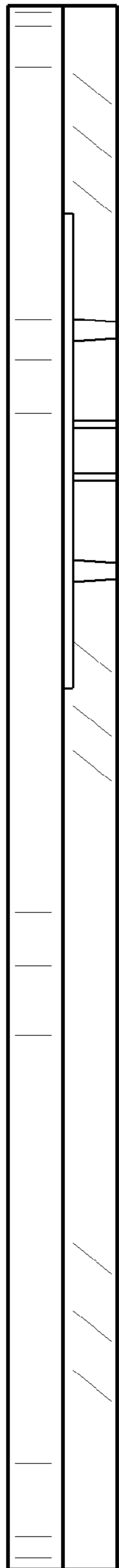


FIG. 5

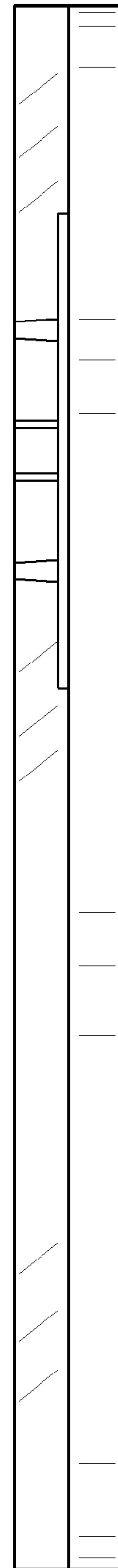


FIG. 6

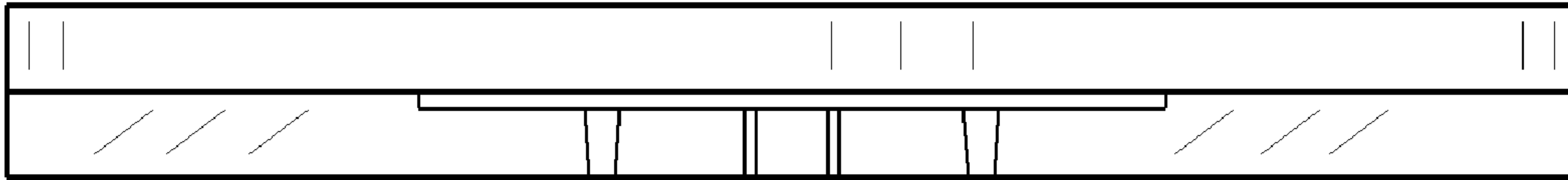


FIG. 7

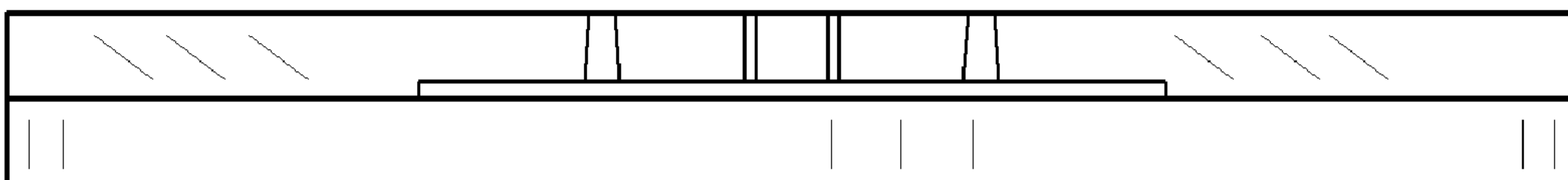


FIG. 8

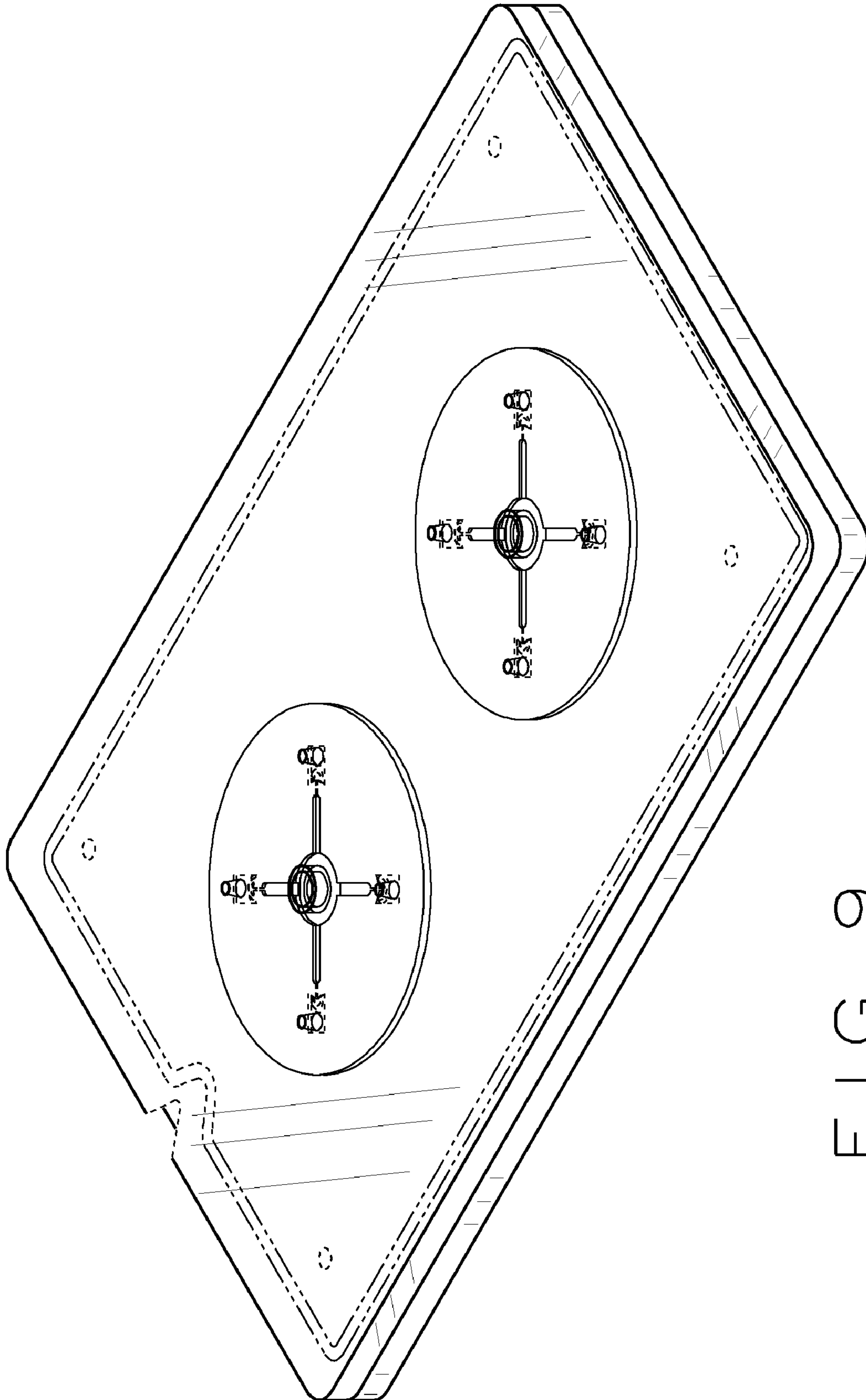


FIG. 9

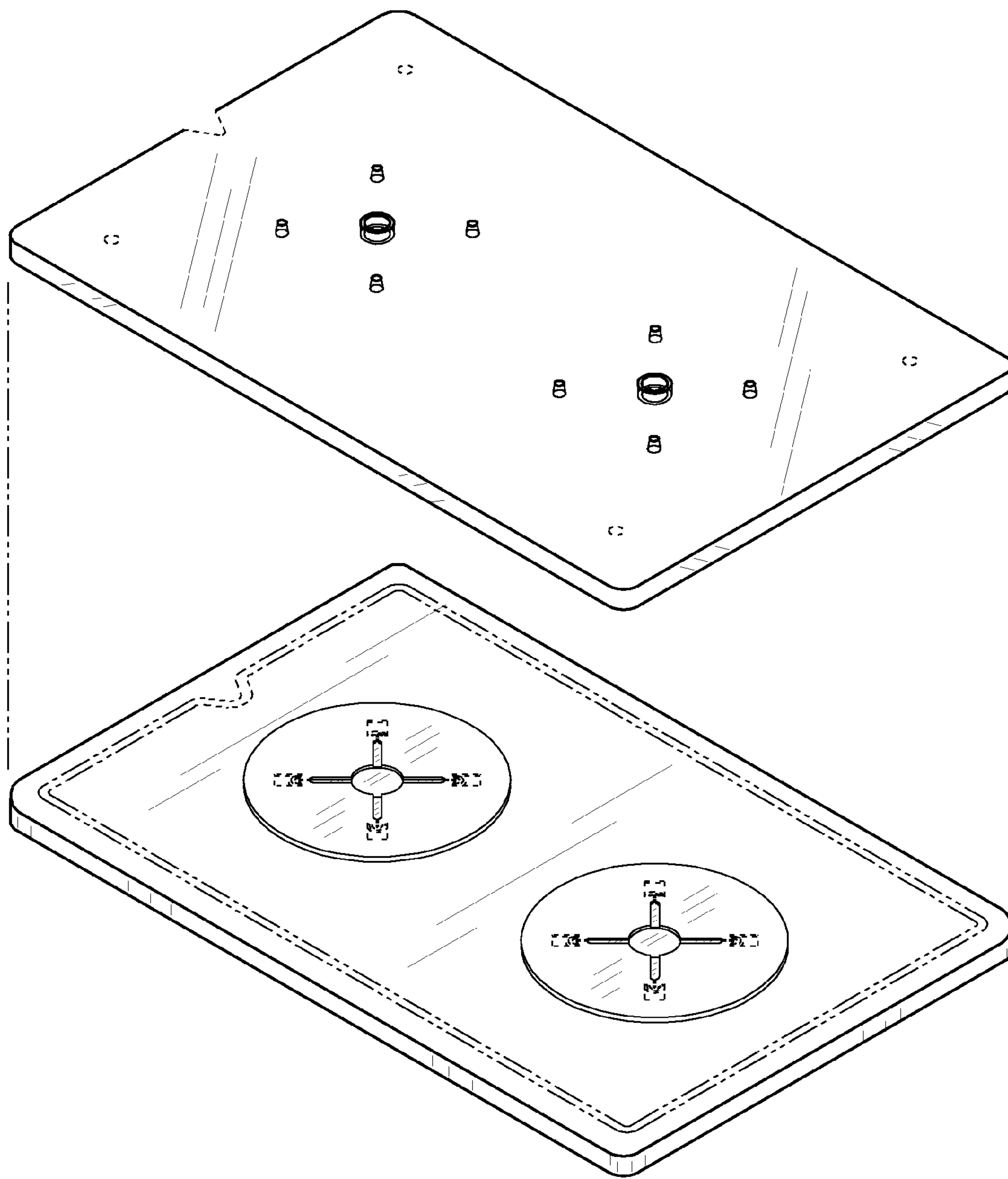


FIG. 10

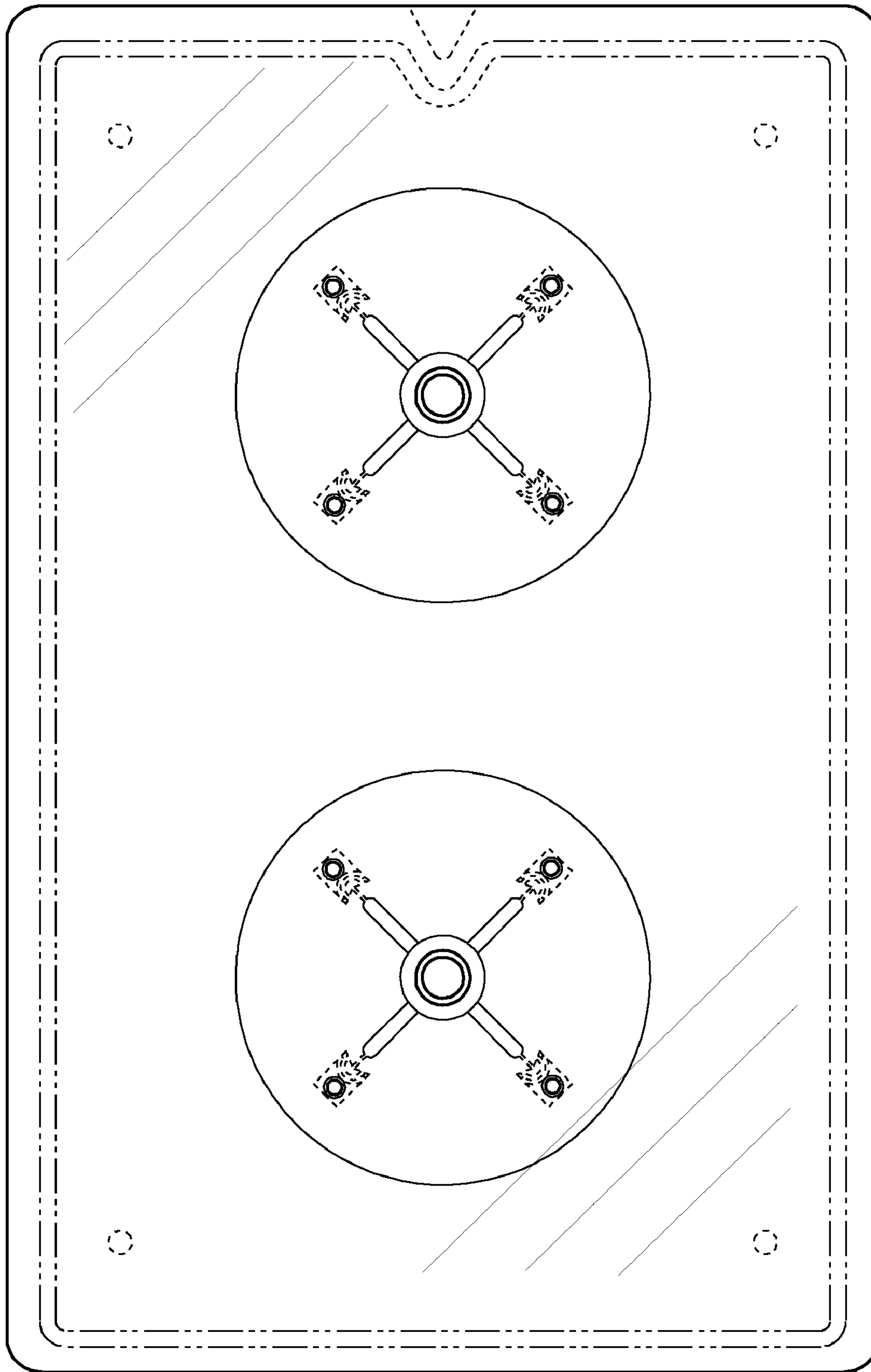


FIG. 11

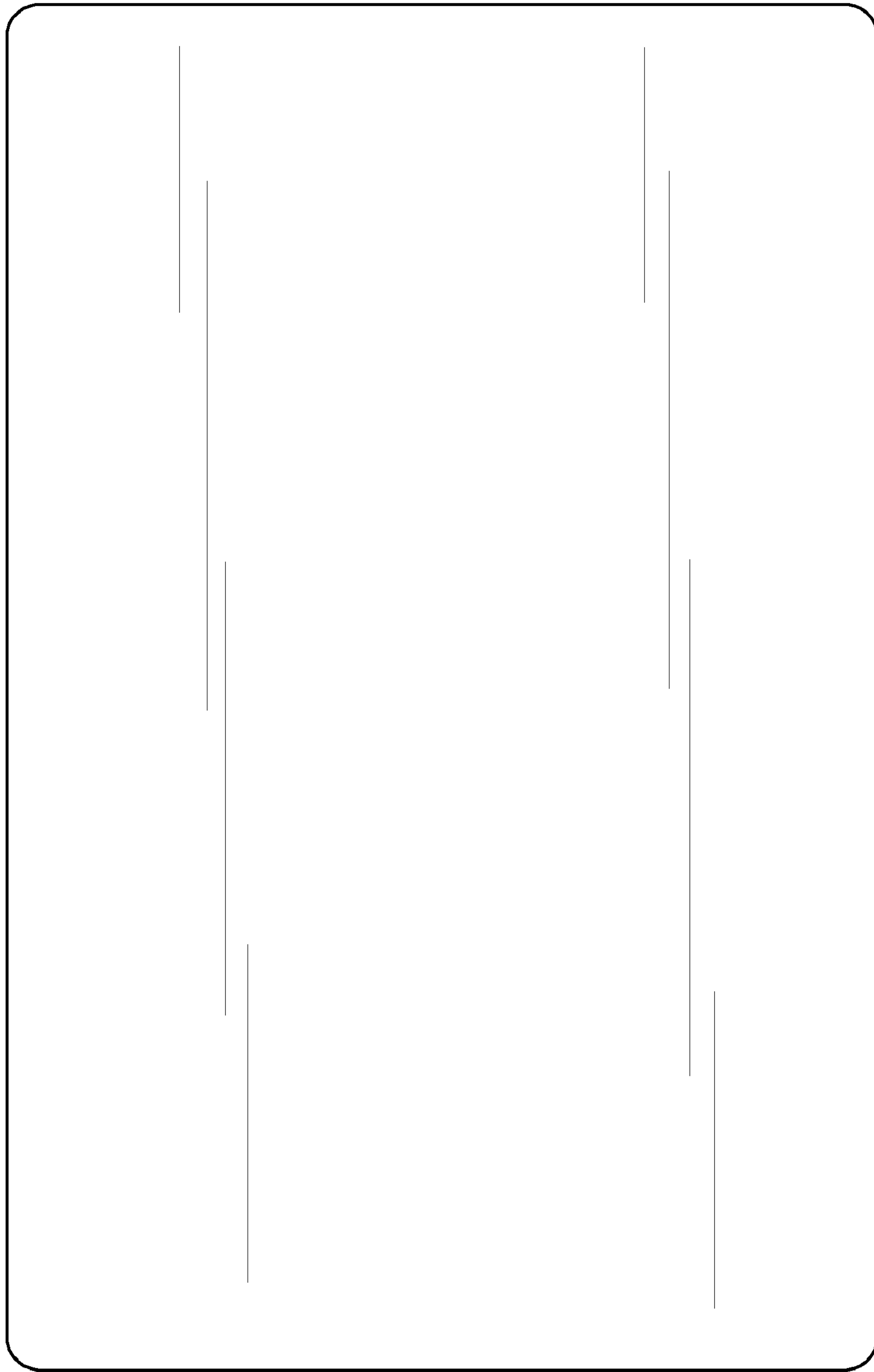


FIG. 12

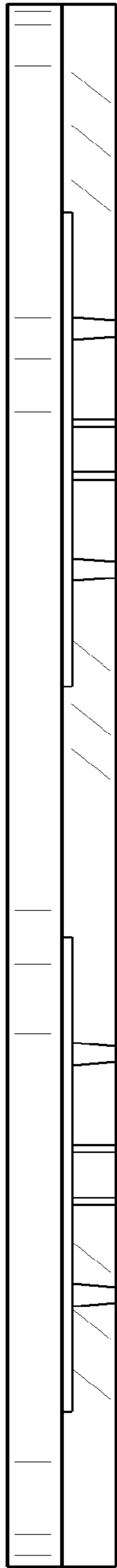


FIG. 13

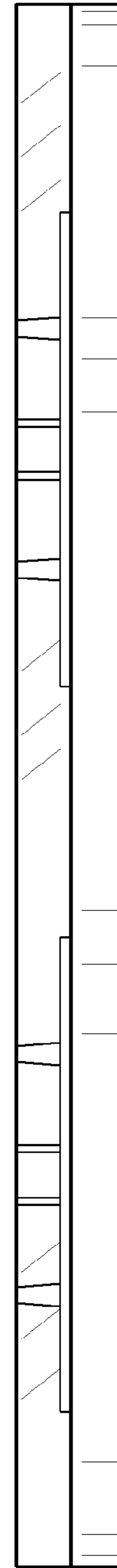


FIG. 14

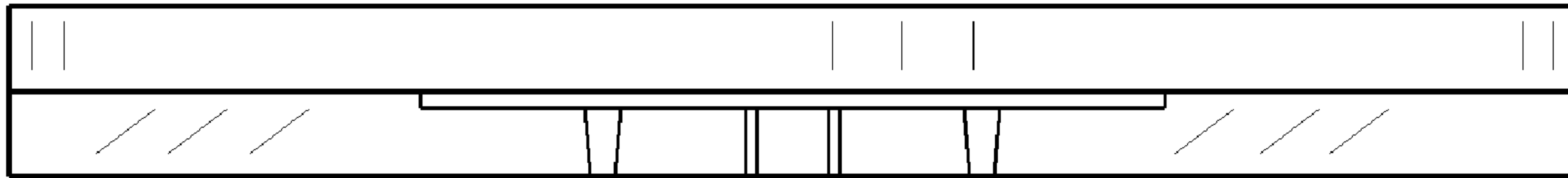


FIG. 15

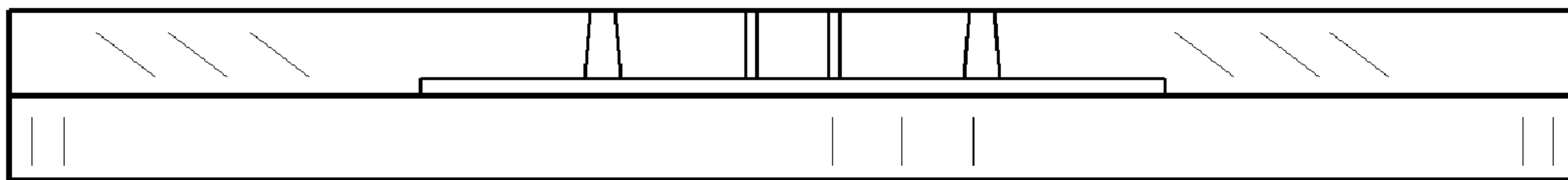


FIG. 16