



US00D636892S

(12) **United States Design Patent**  
**Nicholls et al.**

(10) **Patent No.:** **US D636,892 S**  
(45) **Date of Patent:** **\*\* \*Apr. 26, 2011**

(54) **DIAGNOSTIC INSTRUMENT**

(75) Inventors: **Anthony Nicholls**, Ledbury (GB); **Mark Hudson**, Ledbury (GB)

(73) Assignee: **L3 Technology Ltd.** (GB)

(\*) Notice: This patent is subject to a terminal disclaimer.

(\*\*) Term: **14 Years**

(21) Appl. No.: **29/350,266**

(22) Filed: **Nov. 13, 2009**

(30) **Foreign Application Priority Data**

May 15, 2009 (EP) ..... 001514050

(51) **LOC (9) Cl.** ..... **24-01**

(52) **U.S. Cl.** ..... **D24/225**

(58) **Field of Classification Search** ..... D24/216,  
D24/222-226, 231, 232, 169; D10/81; 422/100,  
422/62-67, 68.1, 99, 102; 436/47, 48

See application file for complete search history.

(56) **References Cited**

**U.S. PATENT DOCUMENTS**

D274,261	S *	6/1984	Valencia	.....	D24/225
4,761,381	A *	8/1988	Blatt et al.	.....	422/102
D302,294	S *	7/1989	Hillman	.....	D24/223
4,963,498	A	10/1990	Hillman et al.		
D421,129	S *	2/2000	Haynes	.....	D24/224
D438,311	S *	2/2001	Yamanishi et al.	.....	D24/225
D472,324	S *	3/2003	Rumore et al.	.....	D24/224
7,008,799	B1	3/2006	Zimmer et al.		
D530,021	S *	10/2006	Muraca	.....	D24/226
D566,850	S *	4/2008	Vermeiden	.....	D24/225
7,595,200	B2 *	9/2009	Bedingham et al.	.....	422/102
2003/0072679	A1 *	4/2003	Johnson et al.	.....	422/63

2006/0110294	A1	5/2006	Engstrom et al.		
2006/0116270	A1 *	6/2006	Hatamian et al.	.....	422/102
2009/0252651	A1 *	10/2009	Park et al.	.....	422/99

**FOREIGN PATENT DOCUMENTS**

WO	WO9958245	A	11/1999
WO	WO01/47637	A	7/2001
WO	WO03072227	A	9/2003
WO	WO2010007431	A3	1/2010
WO	WO2010007432	A3	1/2010

**OTHER PUBLICATIONS**

International Search Report for PCT Publication No. WO2010/007431A3 dated Jan. 11, 2010 (3 pages).

International Search Report for PCT Publication No. WO2010/007432A3 dated Nov. 12, 2009 (5 pages).

\* cited by examiner

*Primary Examiner* — T. Chase Nelson

*Assistant Examiner* — Anhdao Doan

(74) *Attorney, Agent, or Firm* — Polsinelli Shughart PC

(57) **CLAIM**

The ornamental design for a diagnostic instrument, as shown and described.

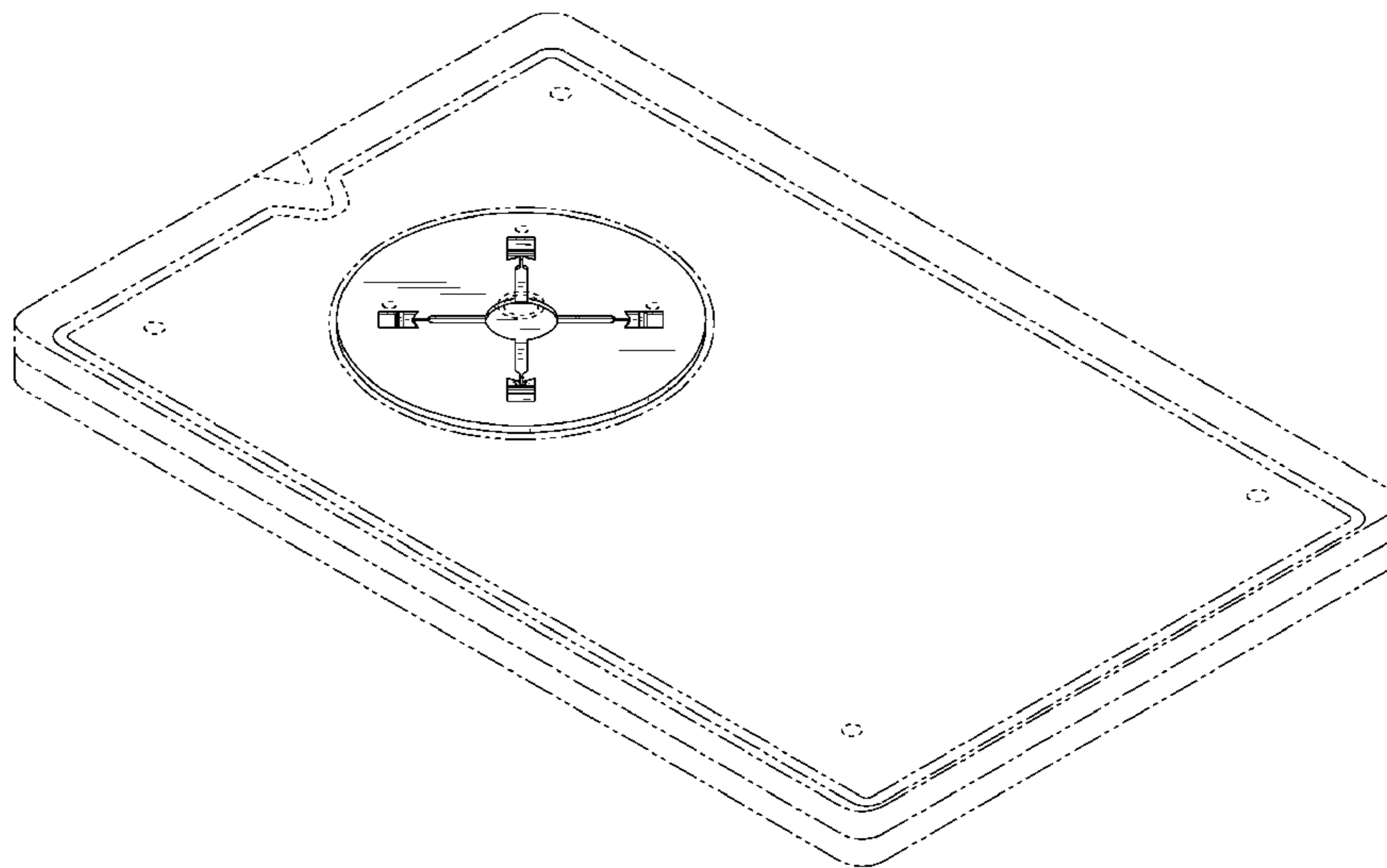
**DESCRIPTION**

FIG. 1 is a perspective view of the diagnostic instrument; FIG. 2 is an enlarged view of a portion of the diagnostic instrument shown in FIG. 1;

FIG. 3 is a top view of the diagnostic instrument; FIG. 4 is a bottom view of the diagnostic instrument; FIG. 5 is a first side view of the diagnostic instrument; FIG. 6 is a second side view of the diagnostic instrument; FIG. 7 is a first end view of the diagnostic instrument; and, FIG. 8 is a second side view of the diagnostic instrument.

The broken lines in the drawing views are included for the purpose of illustrating portions of the diagnostic instrument that form no part of the claimed design.

**1 Claim, 6 Drawing Sheets**



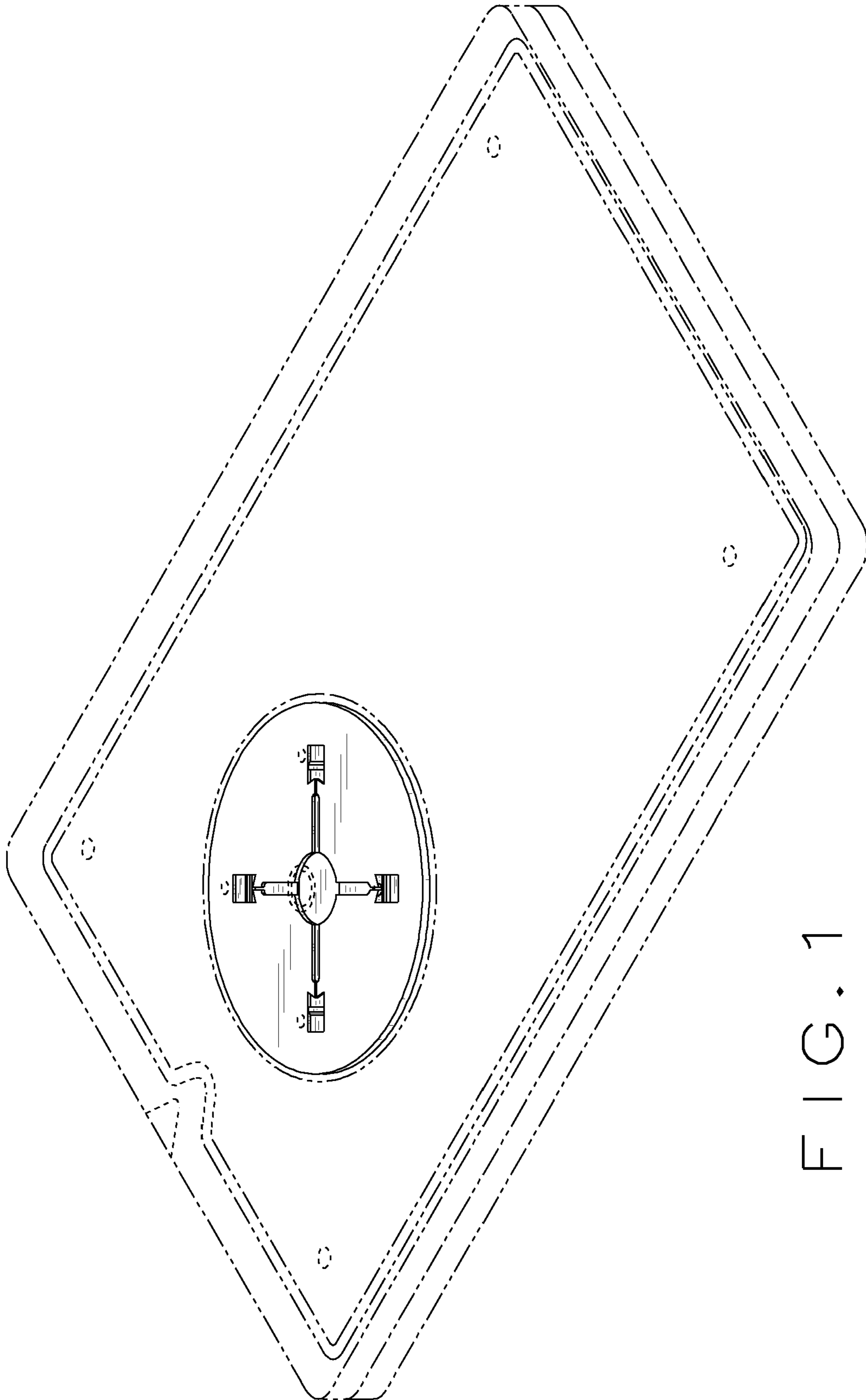


FIG. 1

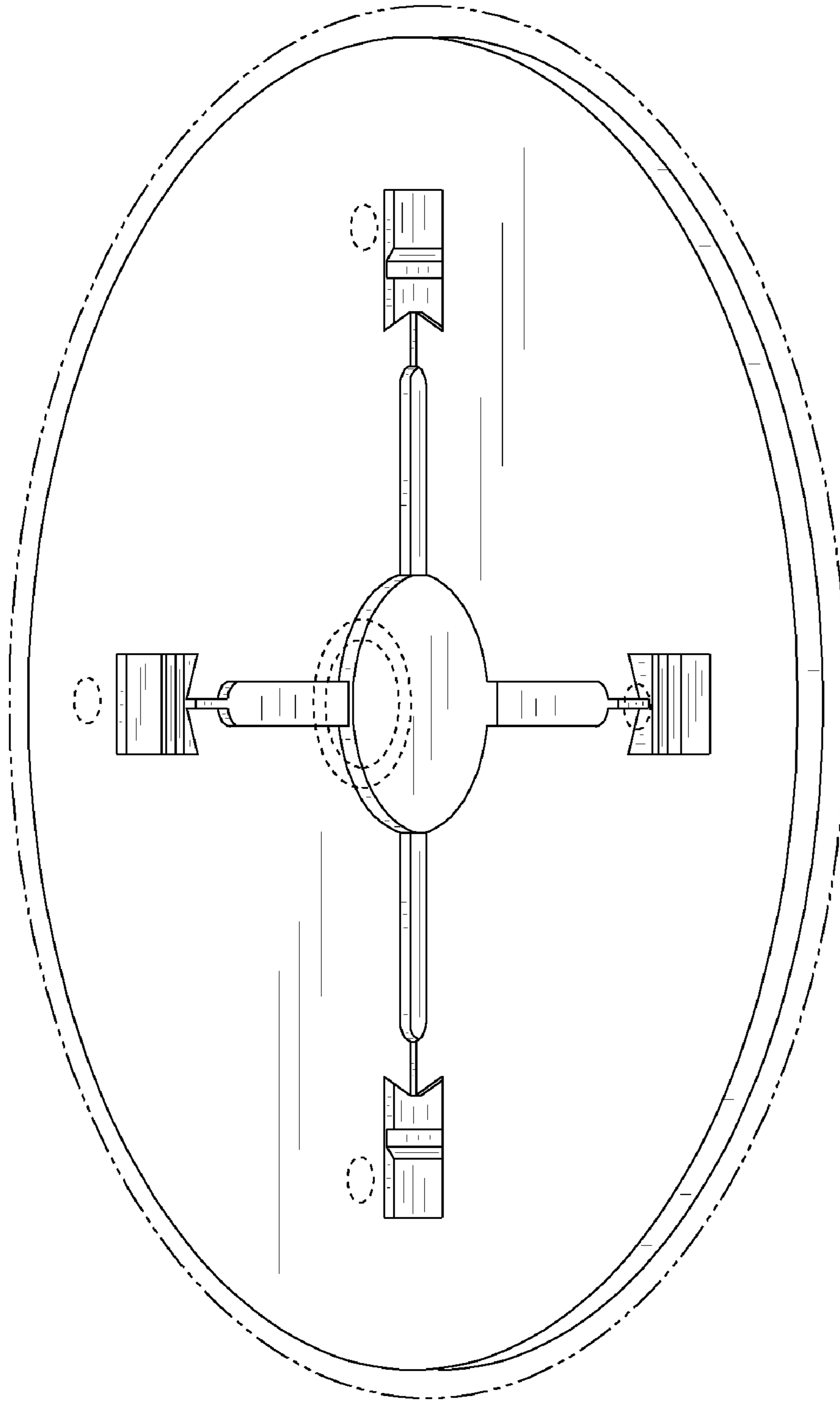


FIG. 2

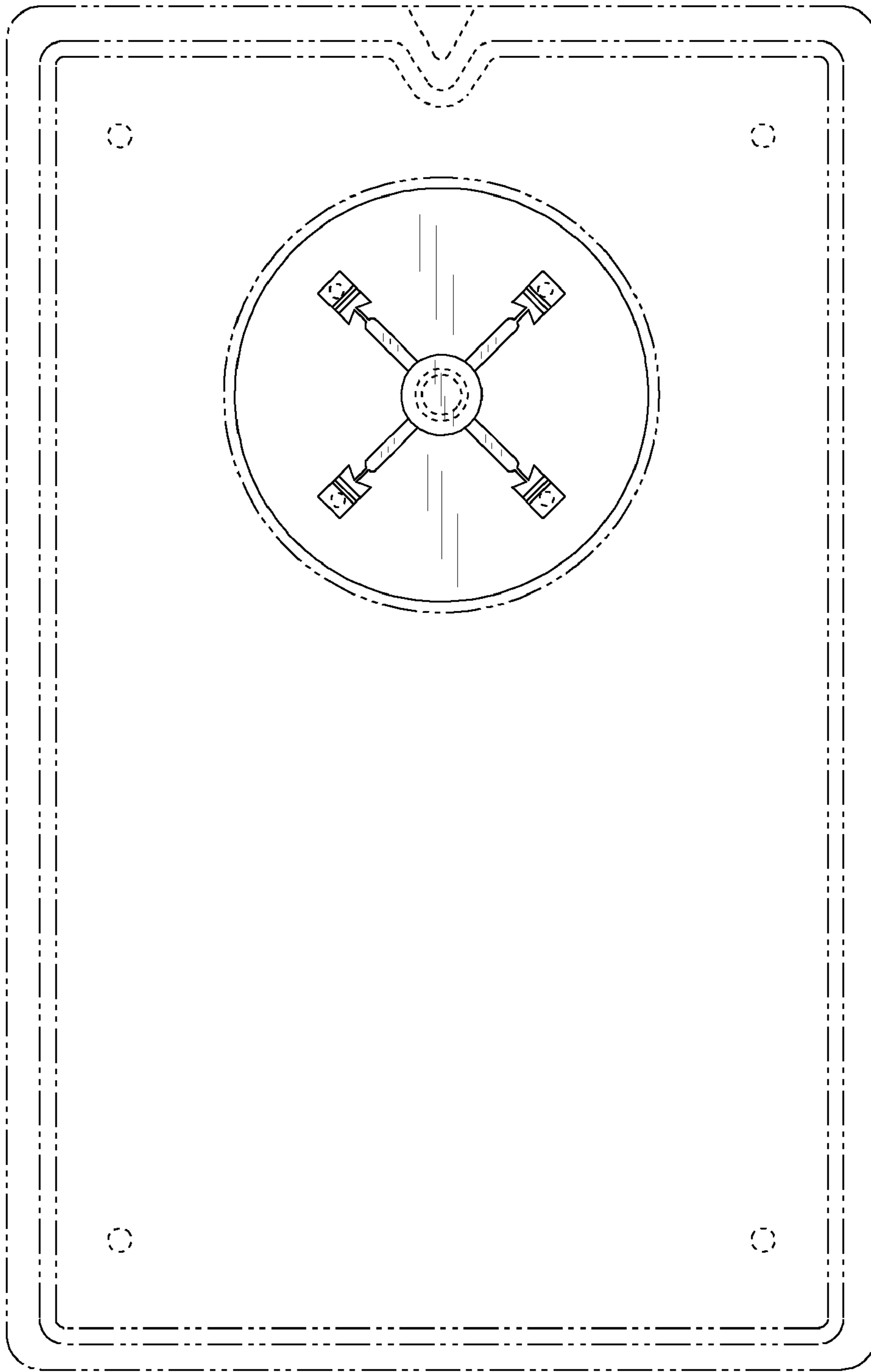


FIG. 3



FIG. 4

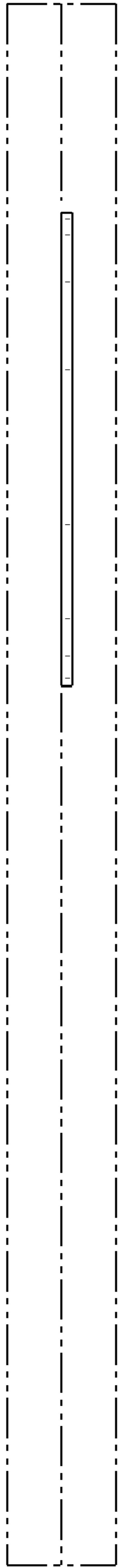


FIG. 5

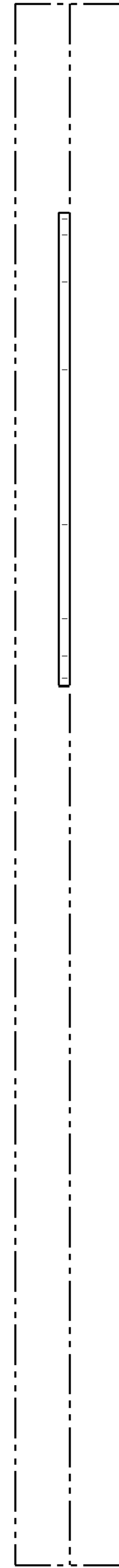


FIG. 6

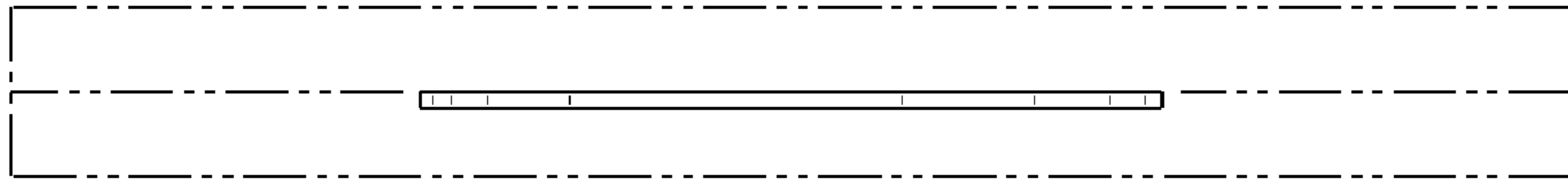


FIG. 7



FIG. 8