



US00D636891S

(12) **United States Design Patent**  
**Nicholls et al.**

(10) **Patent No.:** **US D636,891 S**  
(45) **Date of Patent:** **\*\* Apr. 26, 2011**

(54) **DIAGNOSTIC INSTRUMENT**

(75) Inventors: **Anthony Nicholls**, Ledbury (GB); **Mark Hudson**, Ledbury (GB)

(73) Assignee: **L3 Technology Ltd.** (GB)

(\*\*) Term: **14 Years**

(21) Appl. No.: **29/350,263**

(22) Filed: **Nov. 13, 2009**

(30) **Foreign Application Priority Data**

May 15, 2009 (EP) ..... 001514050

(51) **LOC (9) Cl.** ..... **24-01**

(52) **U.S. Cl.** ..... **D24/225**

(58) **Field of Classification Search** ..... D24/216,  
D24/222-226, 231, 232, 169; D10/81; 422/100,  
422/62-67, 68.1, 99, 102; 436/47, 48  
See application file for complete search history.

(56) **References Cited**

**U.S. PATENT DOCUMENTS**

|              |      |         |                  |       |           |
|--------------|------|---------|------------------|-------|-----------|
| D252,157     | S *  | 6/1979  | Kronish et al.   | ..... | D24/226   |
| D274,261     | S *  | 6/1984  | Valencia         | ..... | D24/225   |
| 4,761,381    | A *  | 8/1988  | Blatt et al.     | ..... | 422/102   |
| D302,294     | S *  | 7/1989  | Hillman          | ..... | D24/223   |
| 4,963,498    | A    | 10/1990 | Hillman et al.   |       |           |
| D421,129     | S *  | 2/2000  | Haynes           | ..... | D24/224   |
| D438,311     | S *  | 2/2001  | Yamanishi et al. | ..... | D24/225   |
| D472,324     | S *  | 3/2003  | Rumore et al.    | ..... | D24/224   |
| 7,008,799    | B1   | 3/2006  | Zimmer et al.    |       |           |
| D530,021     | S *  | 10/2006 | Muraca           | ..... | D24/226   |
| D566,850     | S *  | 4/2008  | Vermeiden        | ..... | D24/225   |
| 7,595,200    | B2 * | 9/2009  | Bedingham et al. | ..... | 422/102   |
| D621,060     | S *  | 8/2010  | Handique         | ..... | D24/225   |
| 7,776,267    | B2 * | 8/2010  | Lee et al.       | ..... | 422/72    |
| 7,790,109    | B2 * | 9/2010  | Kim et al.       | ..... | 422/68.1  |
| 7,799,553    | B2 * | 9/2010  | Mathies et al.   | ..... | 435/283.1 |
| 2003/0072679 | A1 * | 4/2003  | Johnson et al.   | ..... | 422/63    |

|              |      |         |                 |       |         |
|--------------|------|---------|-----------------|-------|---------|
| 2006/0110294 | A1   | 5/2006  | Engstrom et al. |       |         |
| 2006/0116270 | A1 * | 6/2006  | Hatamian et al. | ..... | 422/102 |
| 2009/0252651 | A1 * | 10/2009 | Park et al.     | ..... | 422/99  |

**FOREIGN PATENT DOCUMENTS**

|    |               |    |         |
|----|---------------|----|---------|
| WO | WO99/58245    | A  | 11/1999 |
| WO | WO01/47637    | A  | 7/2001  |
| WO | WO03/072227   | A  | 9/2003  |
| WO | WO2010/007431 | A3 | 1/2010  |
| WO | WO2010/007432 | A3 | 1/2010  |

**OTHER PUBLICATIONS**

International Search Report for PCT Publication No. WO2010/007431A3 dated Jan. 11, 2010 (3 pages).  
International Search Report for PCT Publication No. WO2010/007432A3 dated Nov. 12, 2009 (5 pages).

\* cited by examiner

*Primary Examiner* — T. Chase Nelson

*Assistant Examiner* — Anhdao Doan

(74) *Attorney, Agent, or Firm* — Polsinelli Shughart PC

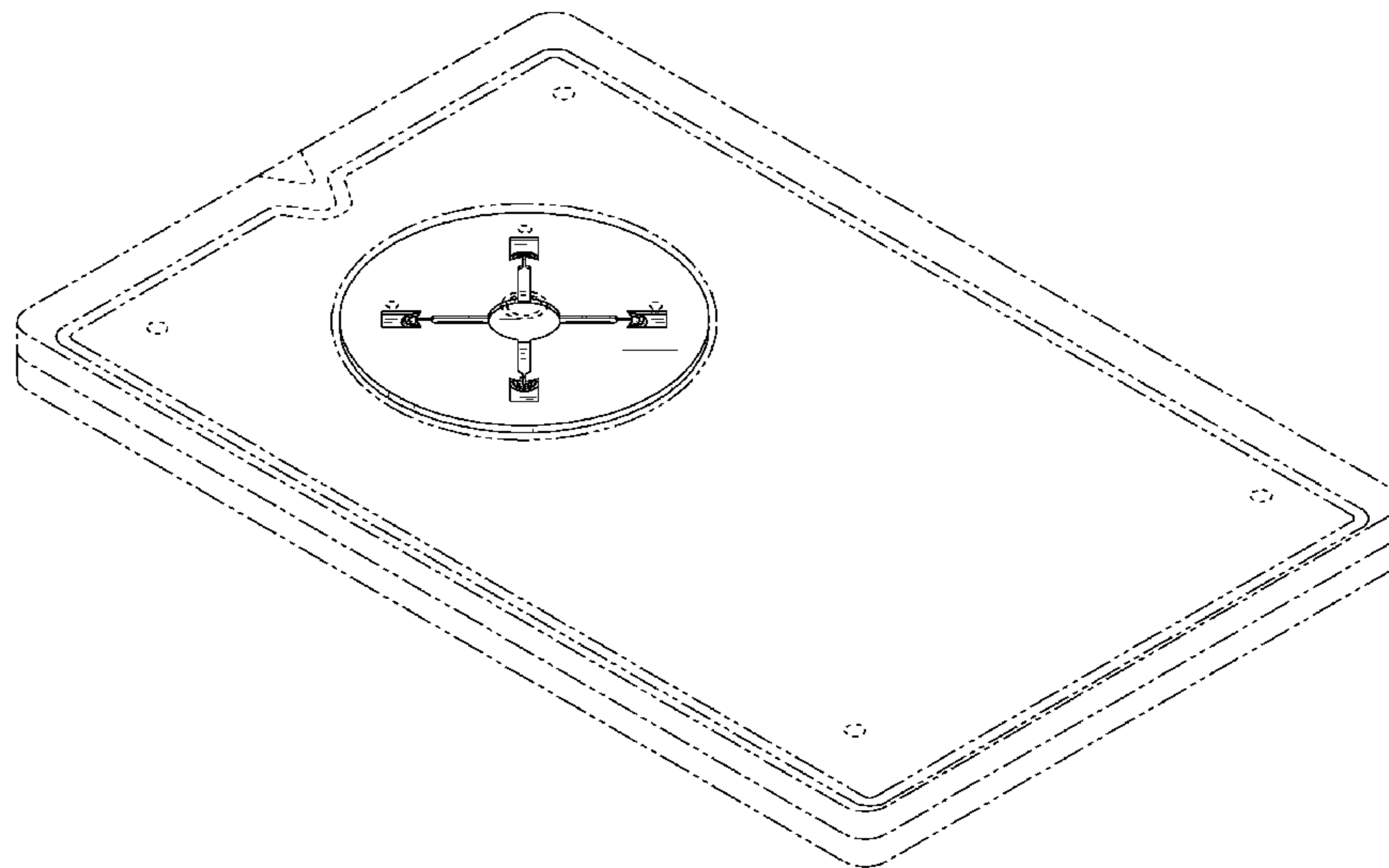
(57) **CLAIM**

The ornamental design for a diagnostic instrument, as shown and described.

**DESCRIPTION**

FIG. 1 is a perspective view of the diagnostic instrument; FIG. 2 is an enlarged view of a portion of the diagnostic instrument; FIG. 3 is a top view of the diagnostic instrument; FIG. 4 is a bottom view of the diagnostic instrument; FIG. 5 is a first side view of the diagnostic instrument; FIG. 6 is a second side view of the diagnostic instrument; FIG. 7 is a first end view of the diagnostic instrument; and, FIG. 8 is a second end view of the diagnostic instrument. The broken lines in the drawing views are included for the purpose of illustrating portions of the diagnostic instrument that form no part of the claimed design.

**1 Claim, 6 Drawing Sheets**



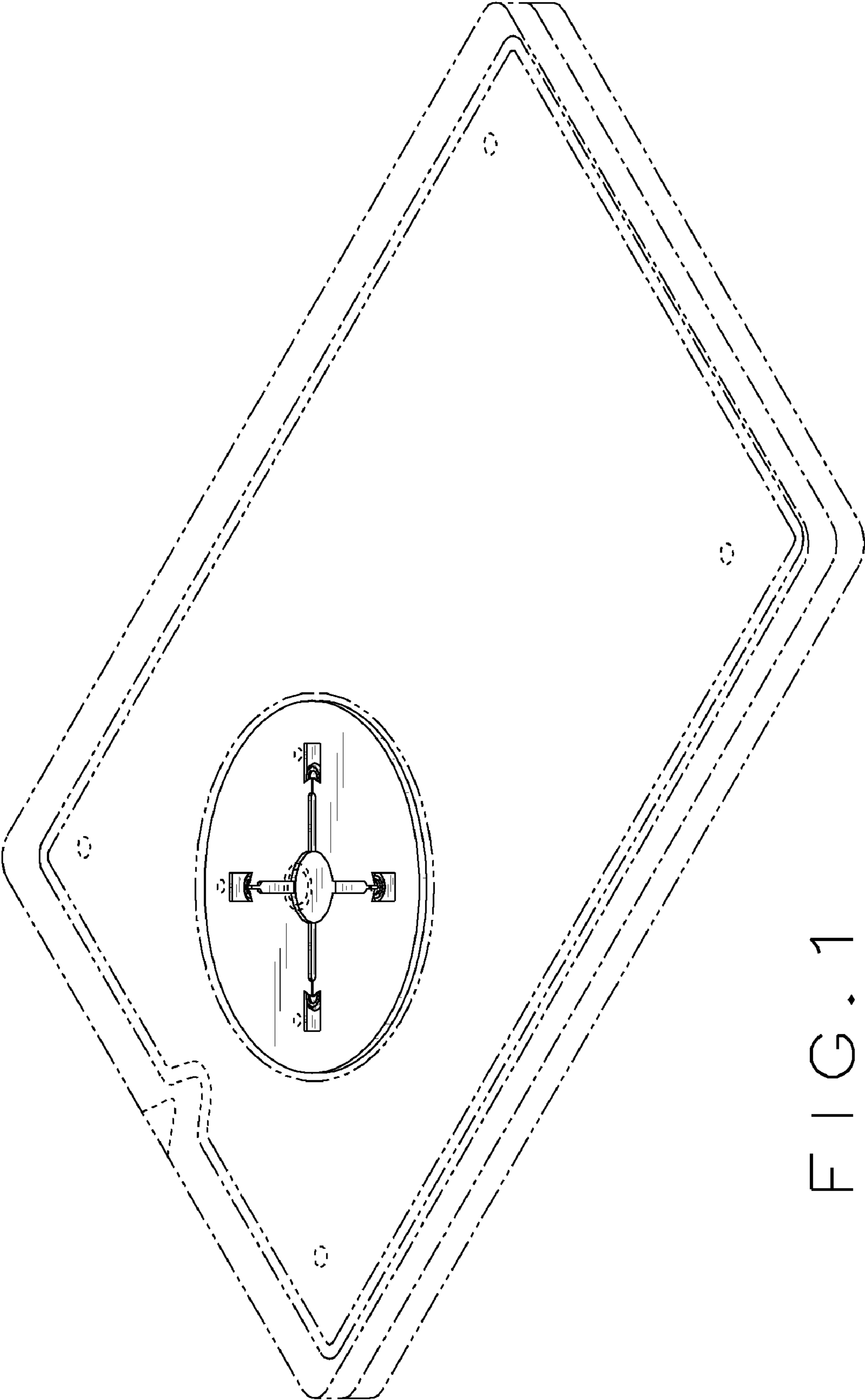


FIG. 1

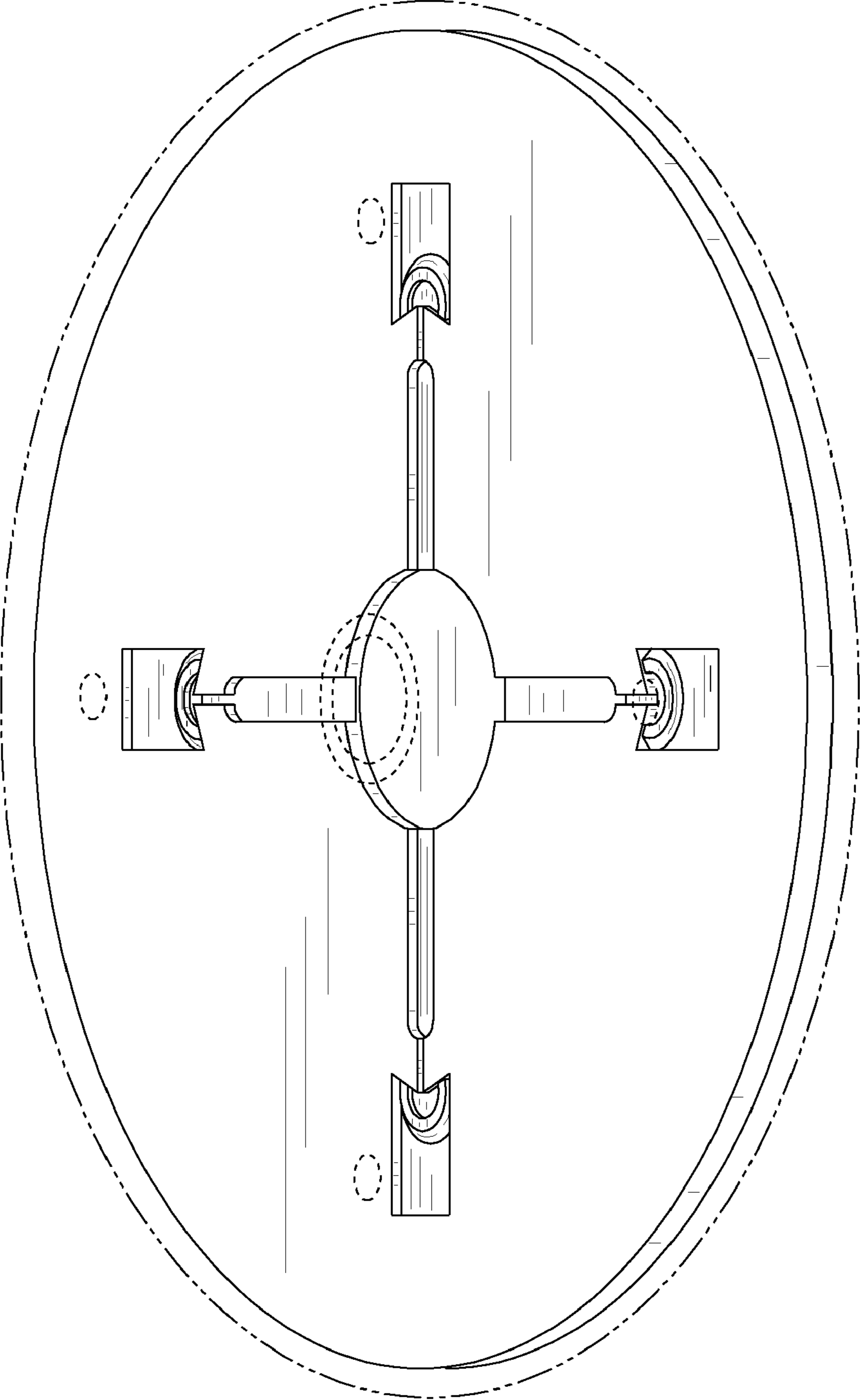


FIG. 2

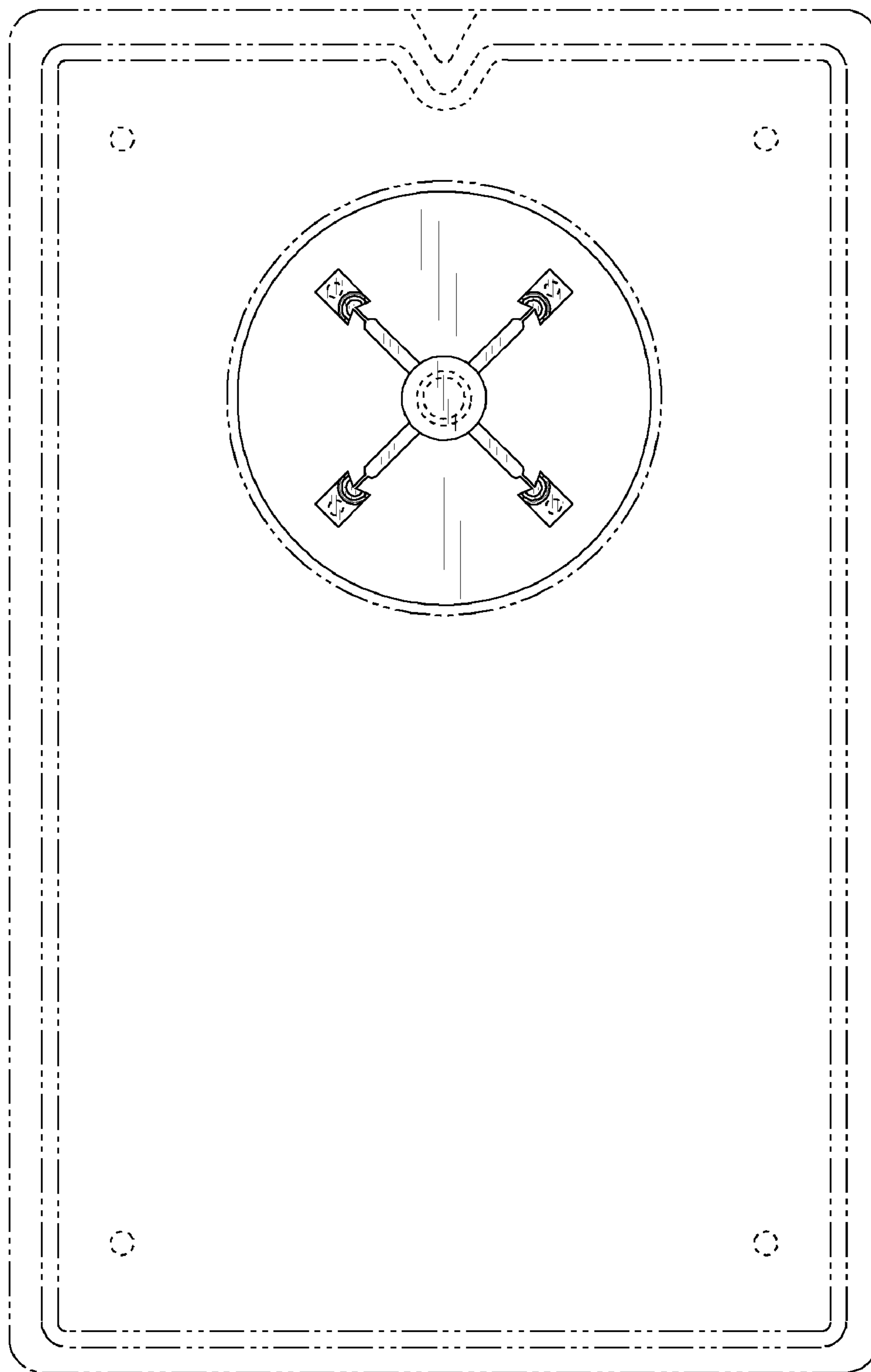


FIG. 3



FIG. 4

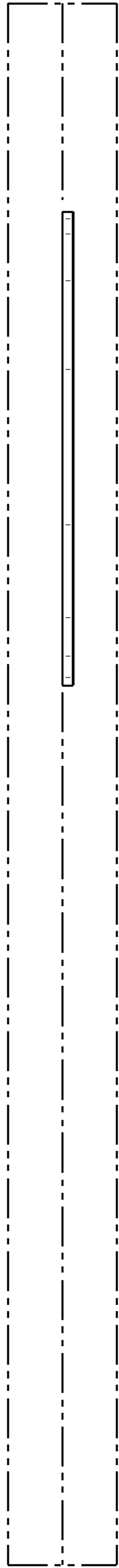


FIG. 5

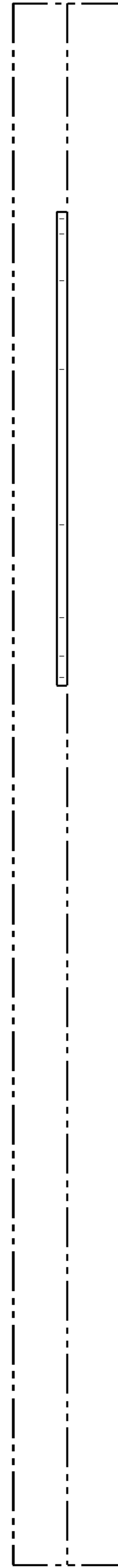


FIG. 6

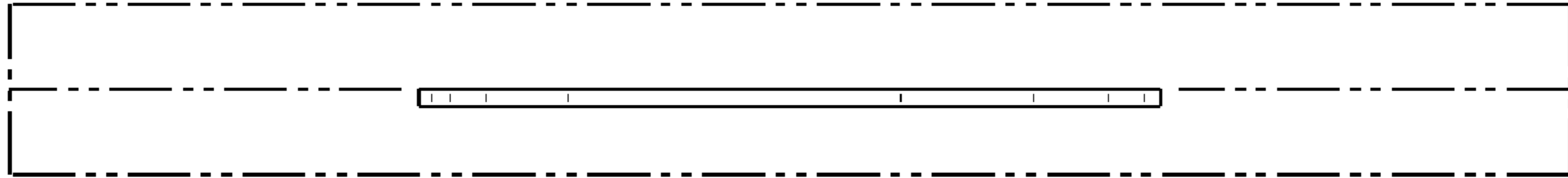


FIG. 7

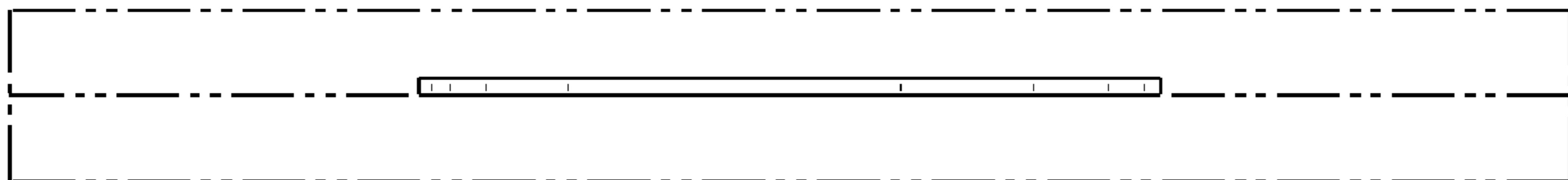


FIG. 8