



US00D636890S

(12) **United States Design Patent**
Teys et al.

(10) **Patent No.:** **US D636,890 S**
(45) **Date of Patent:** **** *Apr. 26, 2011**

(54) **DISPENSING UTENSIL**
(75) Inventors: **Bradley Donald Teys**, Shelly Beach (AU); **Christian Ruediger**, Diddillibah (AU)

5,348,191 A 9/1994 Dekeyser
5,377,879 A 1/1995 Isaacs
5,395,031 A 3/1995 Redmond
(Continued)

(73) Assignee: **Sands Innovations Pty. Ltd.**, Brisbane (AU)

FOREIGN PATENT DOCUMENTS
AU 764881 9/2003
(Continued)

(**) Term: **14 Years**

OTHER PUBLICATIONS

(21) Appl. No.: **29/343,717**

European Search Report dated Aug. 13, 2009 issued in corresponding EP Application No. 0480211.0.

(22) Filed: **Sep. 17, 2009**

Primary Examiner — T. Chase Nelson

(51) **LOC (9) Cl.** **24-02**

Assistant Examiner — Anhdao Doan

(52) **U.S. Cl.** **D24/224**

(74) *Attorney, Agent, or Firm* — Fitch, Even, Tabin & Flannery

(58) **Field of Classification Search** D24/216, D24/222–226, 231, 232, 169, 116, 117, 115; D10/81, 46.2; D3/203.1–203.8; 422/99, 422/102; D9/424, 695, 696, 697–699, 707–710; D7/589, 643, 653; 222/541.9, 92, 107; 206/229
See application file for complete search history.

(57) **CLAIM**

We claim the ornamental design for a dispensing utensil, as shown and described.

DESCRIPTION

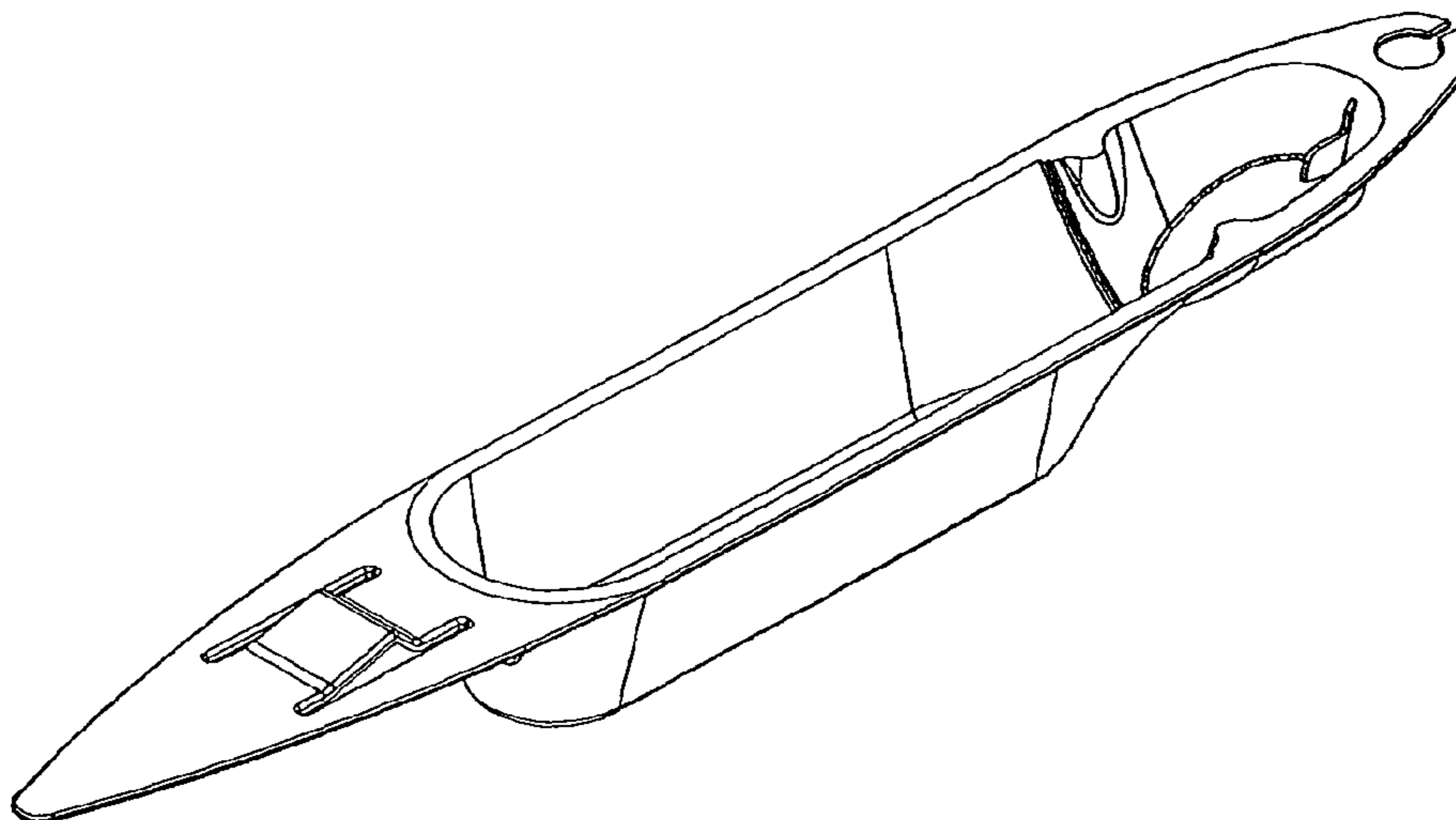
(56) **References Cited**

U.S. PATENT DOCUMENTS

3,428,460	A	2/1969	Ely	
D216,306	S *	12/1969	Dutch	D24/223
3,521,805	A	7/1970	Ward	
D263,074	S *	2/1982	Mason	D24/223
4,387,809	A	6/1983	Botzler	
D275,517	S *	9/1984	Hamilton et al.	D24/224
D334,058	S	3/1993	Noble	
5,203,459	A	4/1993	Wade	
5,215,221	A	6/1993	Dirksing	
5,238,157	A	8/1993	Gentile	
5,238,179	A	8/1993	Hart	
5,240,415	A	8/1993	Haynie	
5,251,758	A	10/1993	Kolacek	
5,277,103	A	1/1994	Cox	
5,305,928	A	4/1994	Verdaguer	
D347,277	S	5/1994	Snedden	
5,308,008	A	5/1994	Ruegg	

FIG. 1 is a top perspective view of the dispensing utensil with a closure;
FIG. 2 is a top perspective view of the dispensing utensil of FIG. 1 without the closure;
FIG. 3 is a bottom perspective view of the dispensing utensil of FIG. 1;
FIG. 4 is a front end elevational view of the dispensing utensil of FIG. 1;
FIG. 5 is a left side elevational view of the dispensing utensil of FIG. 1;
FIG. 6 is a top plan view of the dispensing utensil of FIG. 1 without the closure;
FIG. 7 is a right side elevational view of the dispensing utensil of FIG. 1;
FIG. 8 is a bottom plan view of the dispensing utensil of FIG. 1; and,
FIG. 9 is a rear end elevational view of the dispensing utensil of FIG. 1.

1 Claim, 2 Drawing Sheets



US D636,890 S

U.S. PATENT DOCUMENTS							
5,398,908	A	3/1995	Kienle	6,412,653	B1	7/2002	Waterhouse
5,408,804	A	4/1995	Schroder	6,415,939	B1	7/2002	Redmond
5,409,125	A	4/1995	Kimber et al.	6,457,612	B1	10/2002	Zhang et al.
D358,466	S	5/1995	Harris et al.	6,471,122	B1	10/2002	Stewart et al.
5,411,178	A	5/1995	Roders et al.	6,472,007	B2	10/2002	Bezek et al.
5,426,919	A	6/1995	Natterer et al.	D467,336	S	12/2002	Gilbard et al.
5,431,357	A	7/1995	Ruegg	D467,499	S	12/2002	Garza et al.
5,437,881	A	8/1995	Jeannin	6,516,939	B1	2/2003	Schmidt et al.
5,440,976	A	8/1995	Giuliano et al.	D471,628	S	3/2003	Louviere
D362,304	S	9/1995	Wilson et al.	6,536,974	B2	3/2003	Redmond
5,464,595	A	11/1995	Finnah	6,550,224	B2	4/2003	Kleinschmidt
5,477,660	A	12/1995	Smith	6,558,150	B1	5/2003	Karbach
5,491,895	A	2/1996	Lee	6,589,041	B2	7/2003	Feil
5,494,192	A	2/1996	Redmond	6,589,042	B2	7/2003	Stammler et al.
5,529,224	A	6/1996	Chan et al.	6,596,328	B1	7/2003	Bezek et al.
D371,491	S	7/1996	Stein	6,649,114	B2	11/2003	Lochner et al.
5,553,805	A	9/1996	Ruegg	6,651,848	B1	11/2003	Redmond
D375,055	S	10/1996	Reed	D483,257	S	12/2003	Lim
5,564,569	A	10/1996	Kiefer	6,655,903	B2	12/2003	Kohler
D375,352	S	11/1996	Bologna	6,662,454	B2	12/2003	Harrold
D375,353	S	11/1996	Wolff	6,673,301	B2	1/2004	Cargile et al.
5,577,627	A	11/1996	Richie-Dubler	6,675,482	B1	1/2004	Gilbert, Jr. et al.
5,579,957	A	12/1996	Gentile et al.	6,688,469	B1	2/2004	Barnes
5,582,330	A	12/1996	Iba	6,691,901	B2	2/2004	Parve et al.
RE35,437	E	2/1997	Ascone	6,692,212	B2	2/2004	Trautwein et al.
5,676,244	A	10/1997	Green et al.	D487,397	S *	3/2004	Peghini D9/696
5,676,280	A	10/1997	Robinson	6,698,165	B1	3/2004	Natterer
5,695,084	A	12/1997	Chmela et al.	6,699,006	B2	3/2004	Schlimgen et al.
5,705,212	A	1/1998	Atkinson	6,701,692	B1	3/2004	Niehr
5,706,980	A	1/1998	Dickerson	6,706,297	B1	3/2004	Toth et al.
5,826,737	A	10/1998	Zakensberg	6,712,599	B2	3/2004	Schlimgen et al.
5,839,609	A	11/1998	Zakensberg	D489,820	S	5/2004	Masuda et al.
D402,546	S	12/1998	Massing	6,736,379	B1	5/2004	Wegner et al.
D403,512	S	1/1999	Hennings	D492,407	S	7/2004	Masuda et al.
5,873,483	A	2/1999	Gortz et al.	D494,676	S	8/2004	Dubniczki et al.
5,875,914	A	3/1999	Nguyen et al.	6,769,558	B1	8/2004	Bucholtz
D407,640	S	4/1999	Nelson et al.	6,769,684	B2	8/2004	Gandelheidt
D408,278	S *	4/1999	Konop D9/415	6,783,030	B2	8/2004	Redmond
5,944,516	A	8/1999	Deshaiies	6,802,423	B2	10/2004	O'Brien
5,975,305	A	11/1999	Barger	D500,850	S	1/2005	Clark et al.
6,003,673	A	12/1999	Vieu	6,845,597	B2	1/2005	Redmond
6,003,710	A	12/1999	Huang	6,851,920	B2	2/2005	Trautwein et al.
6,006,505	A	12/1999	Natterer	6,860,405	B1	3/2005	Poynter
6,007,246	A	12/1999	Kinigakis et al.	6,874,665	B2	4/2005	Doherty et al.
6,024,219	A	2/2000	Froehlich et al.	6,905,323	B2	6/2005	Keller
D425,617	S	5/2000	Snedden	6,910,623	B2	6/2005	Stewart et al.
6,062,413	A	5/2000	Redmond	6,928,870	B1	8/2005	Liebowitz
D426,708	S	6/2000	Francis	6,942,097	B1	9/2005	Stremple et al.
6,085,497	A	7/2000	Natterer	6,953,420	B2	10/2005	Karbach
6,085,942	A	7/2000	Redmond	6,957,909	B1	10/2005	Dingeldein et al.
6,105,259	A	8/2000	Meyers et al.	7,005,109	B2 *	2/2006	Husar 422/99
6,116,450	A	9/2000	Huang	D517,207	S	3/2006	Poynter
6,153,232	A	11/2000	Holten et al.	7,013,568	B2	3/2006	Schmidt
D435,665	S *	12/2000	Ogle D24/233	D534,610	S	7/2006	Kushner
D438,125	S	2/2001	Kaposi et al.	7,069,705	B2	7/2006	Redmond
D440,810	S	4/2001	Olson	7,140,863	B2	11/2006	Koppenhofer
6,245,367	B1	6/2001	Galomb	7,143,910	B2	12/2006	Redmond
6,241,124	B1	7/2001	Hoyt	D534,648	S	1/2007	Zahn et al.
6,254,907	B1	7/2001	Galomb	7,175,215	B2	2/2007	Harris
6,279,233	B1	8/2001	Cameron	D539,420	S	3/2007	Zahn et al.
D447,560	S	9/2001	Hellberg et al.	7,198,161	B2	4/2007	Bucholtz
6,282,866	B1	9/2001	Natterer et al.	7,210,600	B1	5/2007	Delio, Jr.
6,287,612	B1	9/2001	Mandava et al.	7,219,816	B1	5/2007	Xia et al.
6,295,735	B1	10/2001	Barger	7,226,230	B2	6/2007	Liberatore
6,328,928	B1	12/2001	Schroeder et al.	D545,636	S	7/2007	Risden
6,336,310	B1	1/2002	Redmond	D545,640	S	7/2007	Risden
6,341,472	B1	1/2002	Schroeder	D547,860	S	7/2007	Zahn et al.
6,347,727	B1	2/2002	Diaz	7,240,797	B1	7/2007	Grossman
6,349,866	B1	2/2002	Stewart et al.	D548,834	S	8/2007	Hansen
6,357,626	B1	3/2002	Zhang et al.	7,258,255	B2	8/2007	Vogel et al.
D456,507	S	4/2002	LeMarr et al.	D551,760	S	9/2007	Zahn et al.
6,364,113	B1	4/2002	Faasse, Jr. et al.	D556,321	S	11/2007	Starnes
6,364,203	B2	4/2002	Toussant et al.	7,290,380	B2	11/2007	Natterer
6,364,519	B1	4/2002	Hughes et al.	7,293,683	B2	11/2007	Natterer
6,372,176	B1	4/2002	Ekendahl et al.	7,299,947	B2	11/2007	Lingenhoff
6,390,358	B1	5/2002	Stewart et al.	D560,442	S	1/2008	Teys et al.
6,395,317	B1	5/2002	Singh et al.	D560,443	S	1/2008	Teys et al.
D458,809	S	6/2002	Richardson et al.	7,314,196	B2	1/2008	Gandelheidt et al.
				7,314,328	B2	1/2008	Liberatore

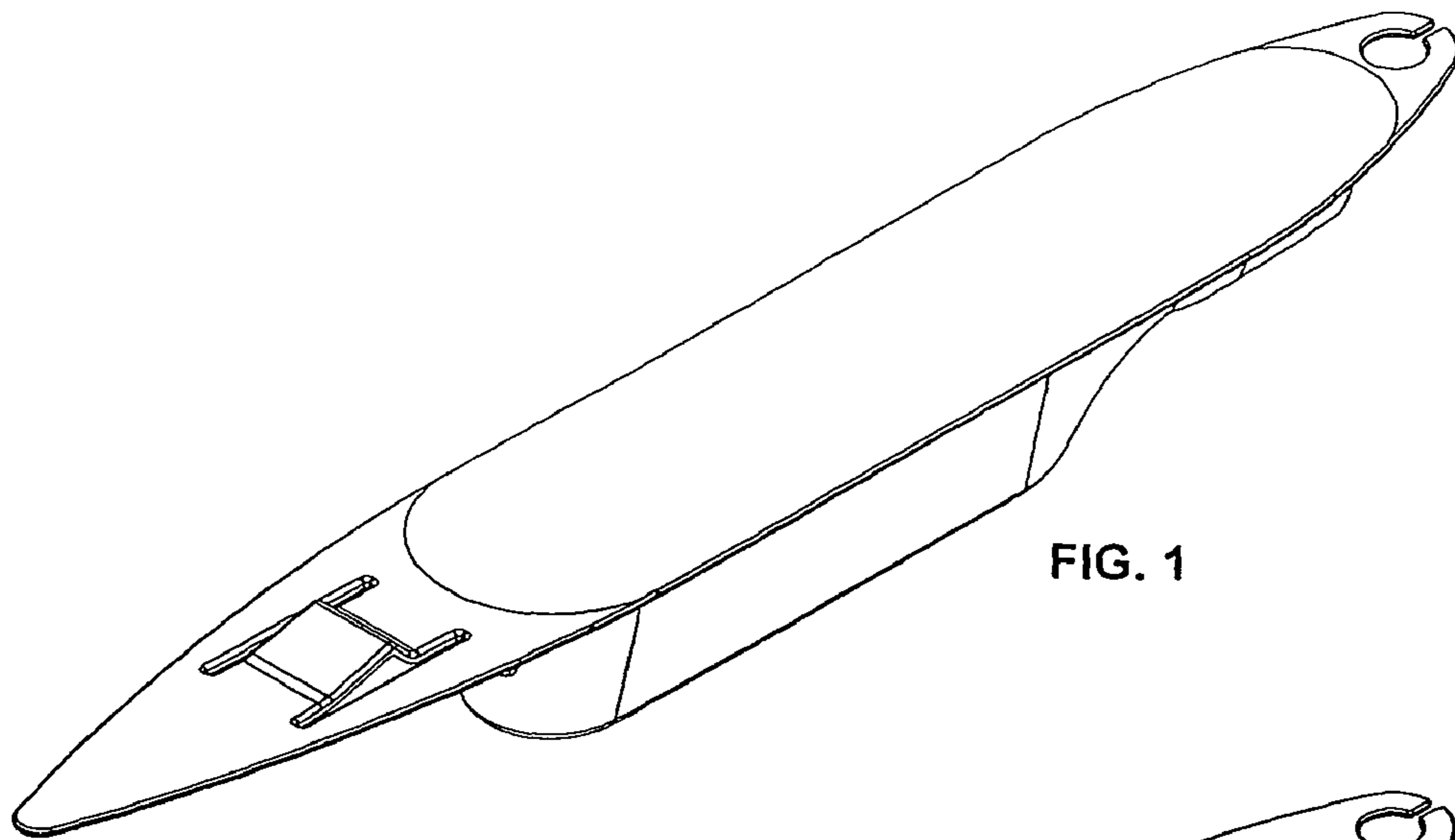


FIG. 1

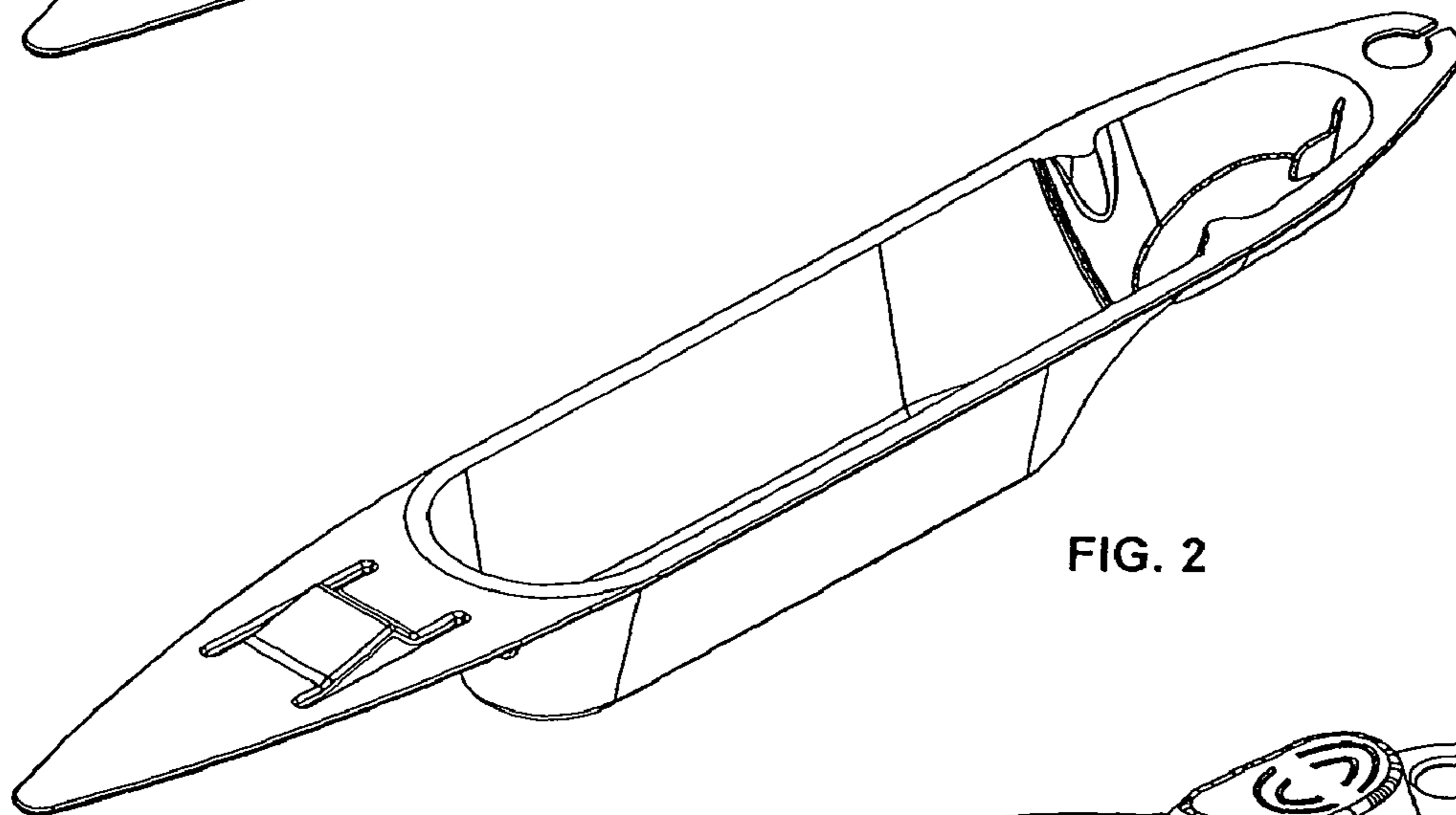


FIG. 2

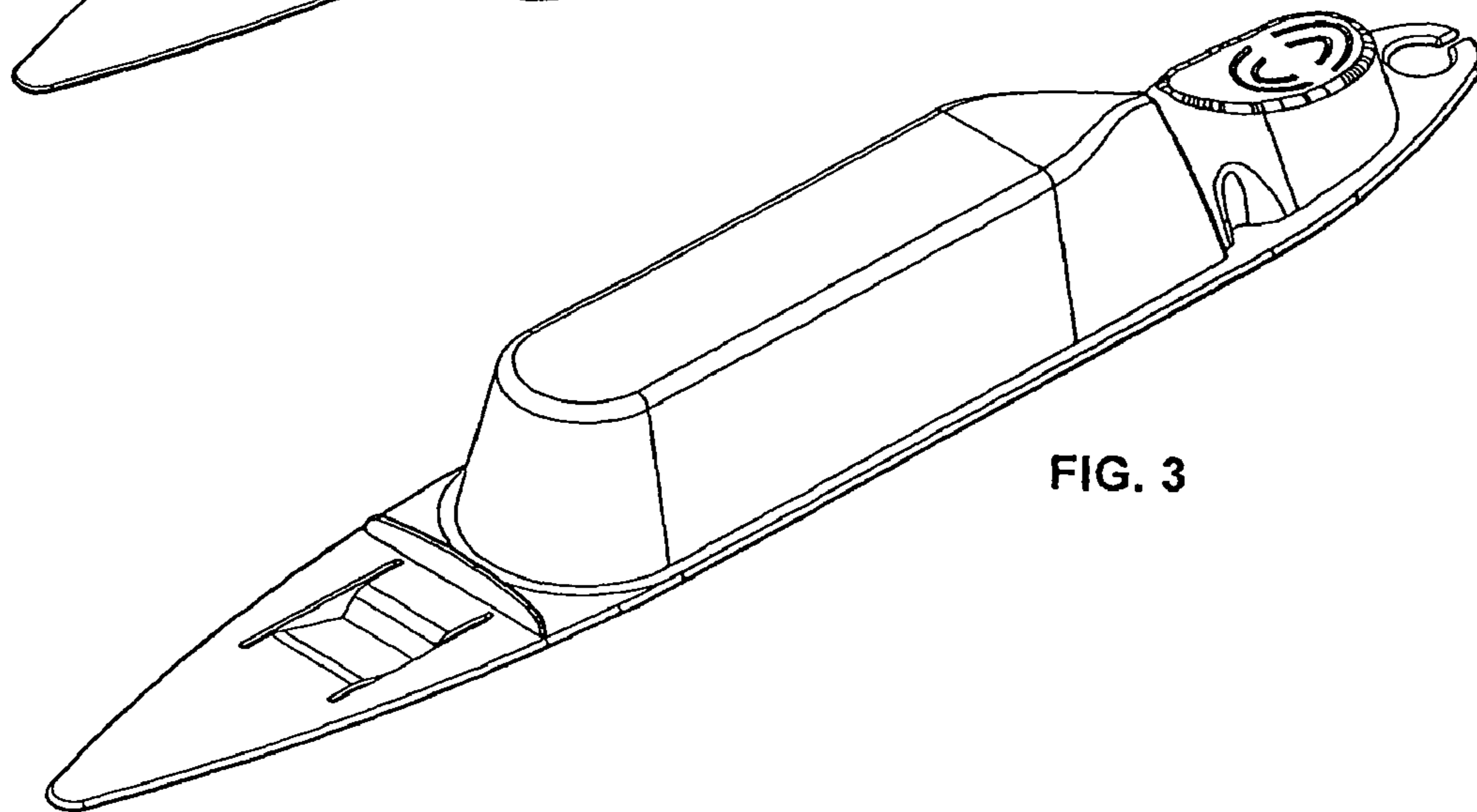


FIG. 3

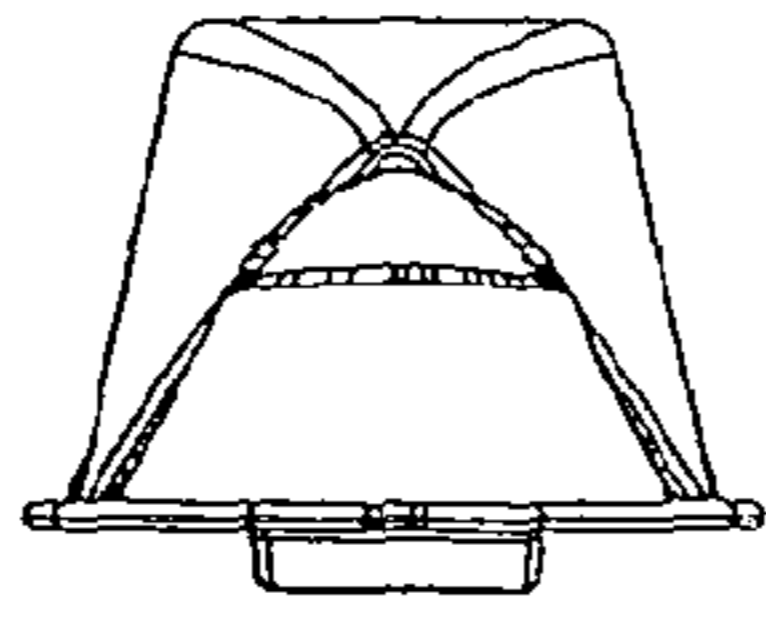


FIG. 4

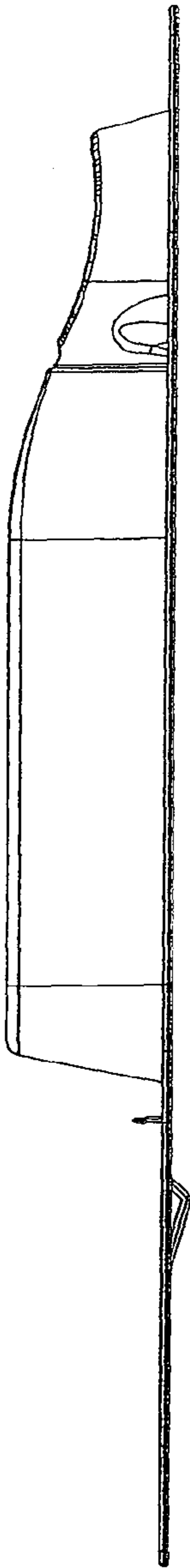


FIG. 5

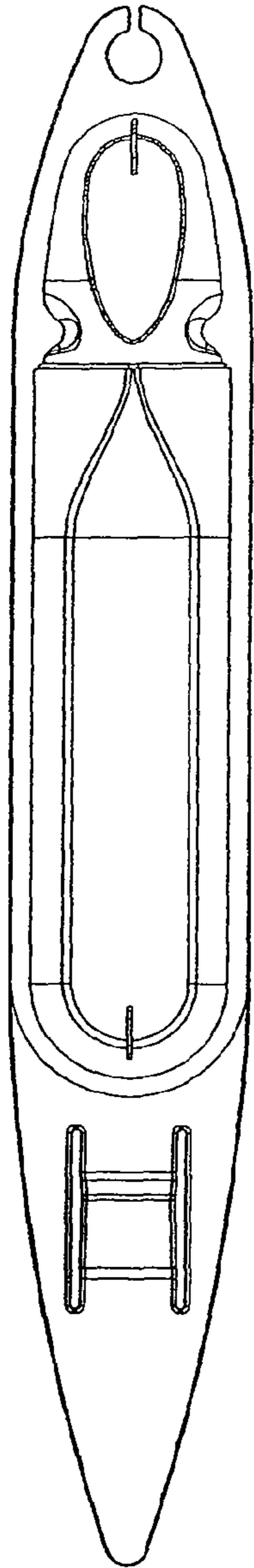


FIG. 6

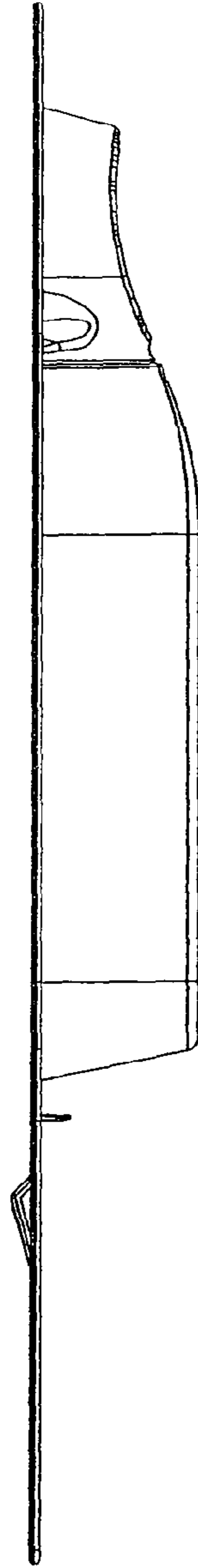


FIG. 7

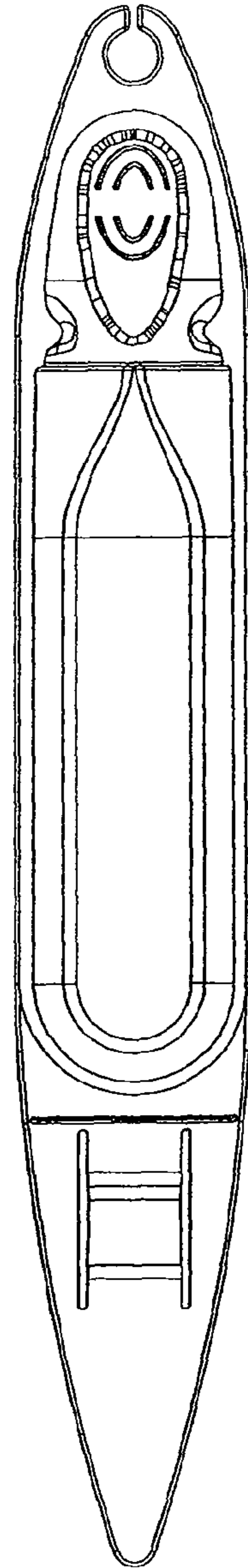


FIG. 8

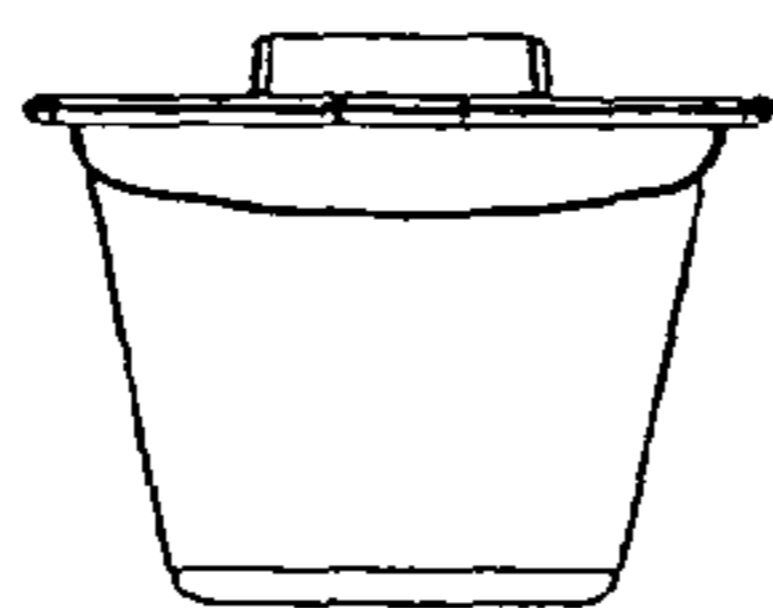


FIG. 9