



US00D636888S

(12) **United States Design Patent**
Nikitzuk et al.

(10) **Patent No.:** **US D636,888 S**

(45) **Date of Patent:** **** Apr. 26, 2011**

(54) **PERSONAL VIBRATOR**

(75) Inventors: **Jason Nikitzuk**, Belle Mead, NJ (US);
Bruce Weiss, Manalapan, NJ (US);
Ming Zeng, Edison, NJ (US); **Tylor**
Garland, Studio City, CA (US); **Aldis**
Rauda, Hollywood, CA (US)

(73) Assignee: **Church & Dwight Co., Inc.**, Princeton,
NJ (US)

(**) Term: **14 Years**

(21) Appl. No.: **29/368,397**

(22) Filed: **Aug. 23, 2010**

(51) **LOC (9) Cl.** **28-03**

(52) **U.S. Cl.** **D24/215**

(58) **Field of Classification Search** D24/200,
D24/211–215; 601/118, 120, 121, 124, 125,
601/130, 131, 134–137

See application file for complete search history.

(56) **References Cited**

U.S. PATENT DOCUMENTS

D234,724 S * 4/1975 Tavel D24/214
D272,649 S * 2/1984 Bloch D24/211

D274,468 S * 6/1984 Perry D24/211
6,254,555 B1 * 7/2001 Sevier et al. 601/137
D454,959 S * 3/2002 Harris et al. D24/214
D466,612 S * 12/2002 Harris et al. D24/215
D485,910 S * 1/2004 Chan D24/215
D488,232 S * 4/2004 Nan D24/215
D495,424 S * 8/2004 Nan D24/215
D596,307 S 7/2009 Stewart
D604,425 S * 11/2009 Stewart D24/214
D608,890 S 1/2010 Takashima
D613,417 S 4/2010 Imboden et al.
D620,601 S 7/2010 TerMeer
7,749,178 B2 7/2010 Imboden et al.

* cited by examiner

Primary Examiner — Sandra Snapp

(74) *Attorney, Agent, or Firm* — Frenkel & Associates, P.C.

(57) **CLAIM**

We claim the ornamental design for personal vibrator, as shown and described.

DESCRIPTION

FIG. 1 is a perspective view of the personal vibrator;
FIG. 2 is a side view of the personal vibrator;
FIG. 3 is a top view of the personal vibrator; and,
FIG. 4 is a bottom view of the personal vibrator.

1 Claim, 1 Drawing Sheet

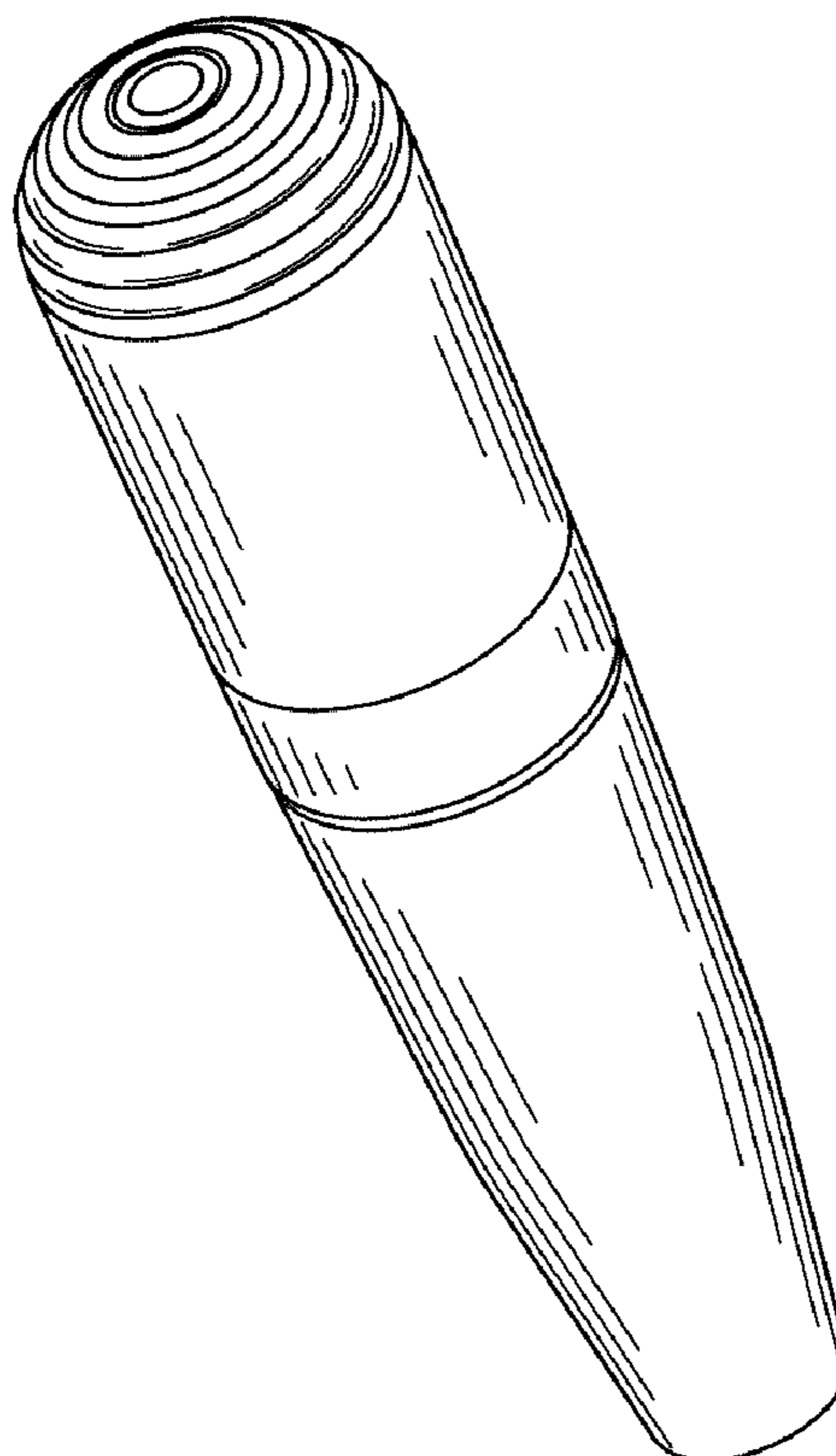


Fig. 1

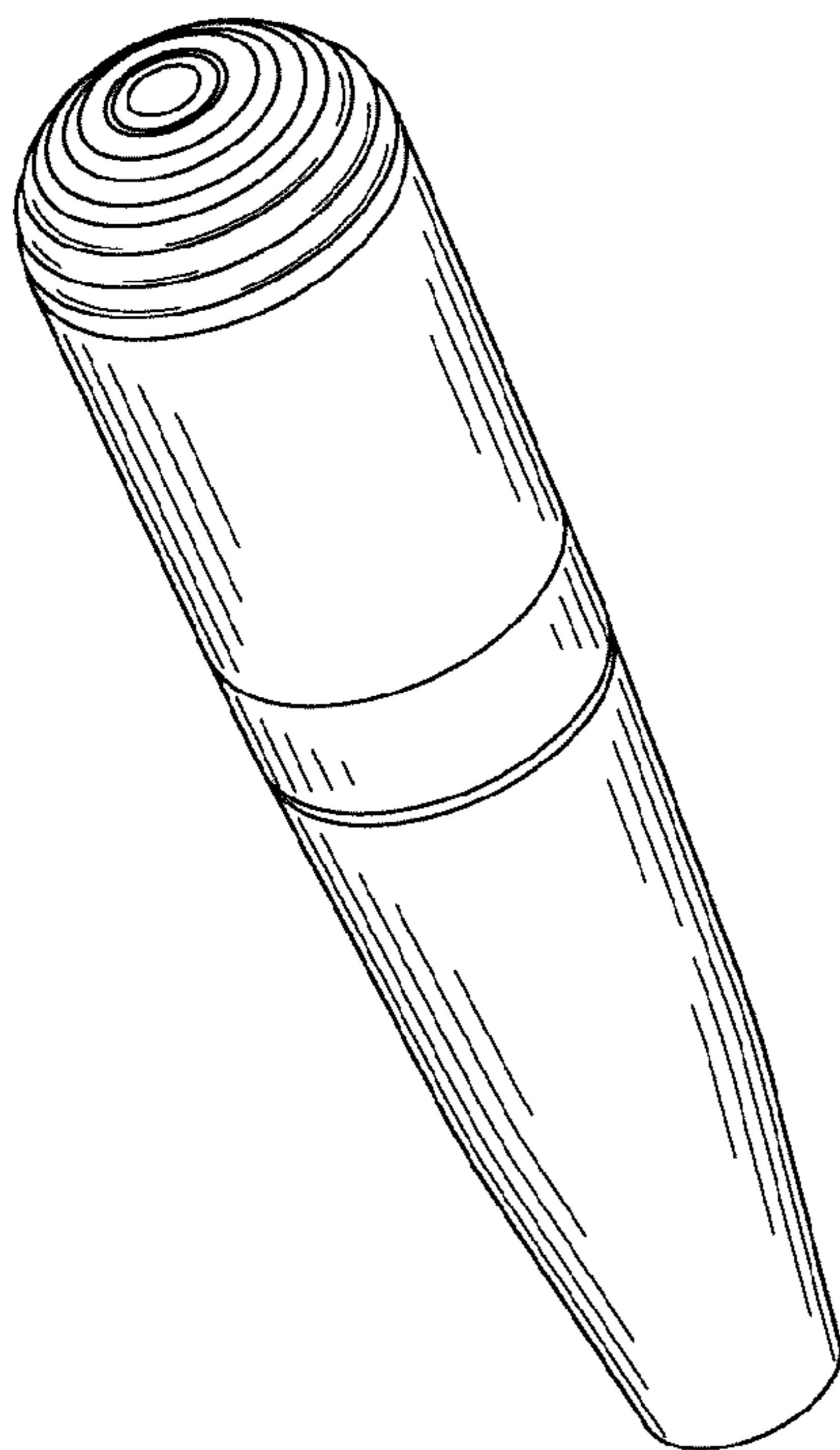


Fig. 2

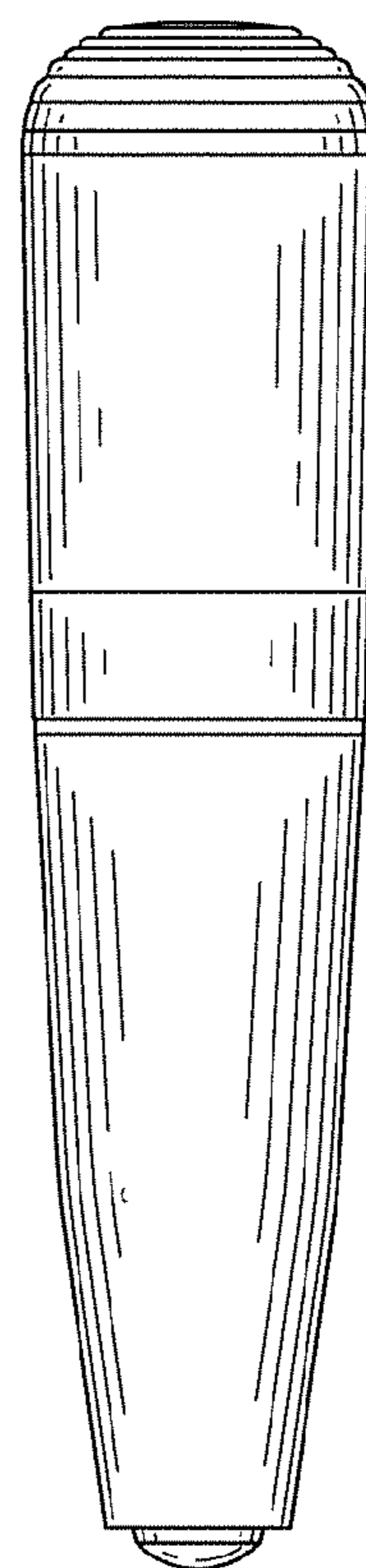


Fig. 3

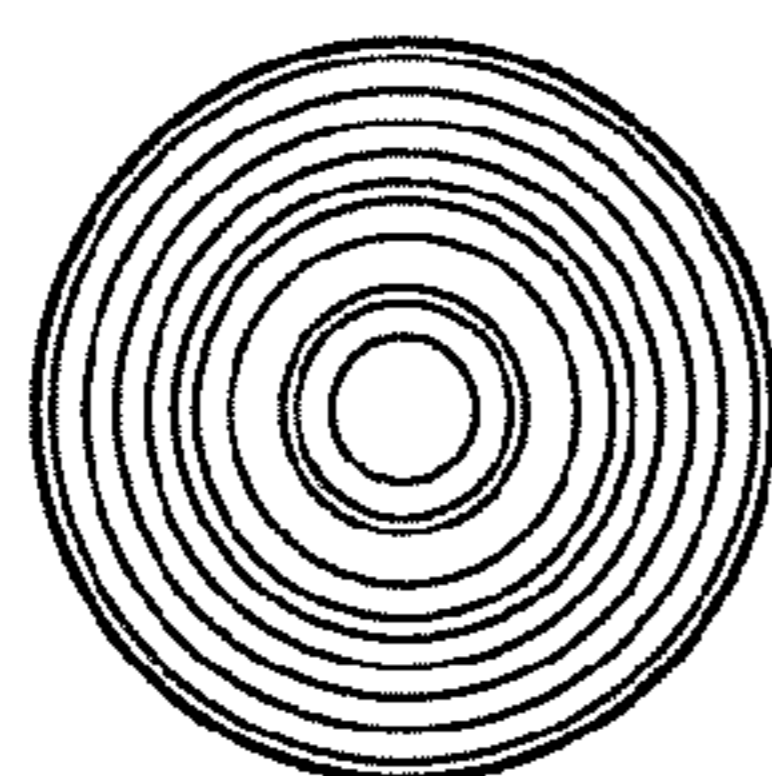


Fig. 4

