



US00D636884S

(12) **United States Design Patent**  
**Roehrig et al.**

(10) **Patent No.:** **US D636,884 S**

(45) **Date of Patent:** **\*\* Apr. 26, 2011**

(54) **MONO NECK PACIFIER**

(75) Inventors: **Peter Roehrig**, Vienna (AT); **Ernst Beranek**, Vienna (AT)

(73) Assignee: **Mam Babyartikel Gesellschaft m.b.H.**, Vienna (AT)

(\*\*) Term: **14 Years**

(21) Appl. No.: **29/370,391**

(22) Filed: **Jul. 8, 2010**

(30) **Foreign Application Priority Data**

Jan. 11, 2010 (EM) ..... 001655333-0002

(51) **LOC (9) Cl.** ..... **24-04**

(52) **U.S. Cl.** ..... **D24/194**

(58) **Field of Classification Search** ..... D24/193-196,  
D24/199; 606/234-236; 215/11.1-11.6  
See application file for complete search history.

(56) **References Cited**

**U.S. PATENT DOCUMENTS**

3,662,756	A *	5/1972	Hakim	.....	606/236
D340,525	S *	10/1993	Rohrig	.....	D24/194
5,653,731	A *	8/1997	Rohrig	.....	606/234
D393,074	S *	3/1998	Fields et al.	.....	D24/194
6,514,275	B2 *	2/2003	Rohrig	.....	606/234

D481,461	S *	10/2003	Roehrig	.....	D24/194
D547,456	S *	7/2007	Ramos et al.	.....	D24/194
D548,847	S *	8/2007	Dunn et al.	.....	D24/194
D594,559	S *	6/2009	Kliegman et al.	.....	D24/194
D599,026	S *	8/2009	Cudworth	.....	D24/194
D607,573	S *	1/2010	Roehrig et al.	.....	D24/194
7,789,894	B2 *	9/2010	Rohrig	.....	606/234
2006/0265013	A1 *	11/2006	Holley	.....	606/234

\* cited by examiner

*Primary Examiner* — Susan E Krakower

(74) *Attorney, Agent, or Firm* — Abelman, Frayne & Schwab

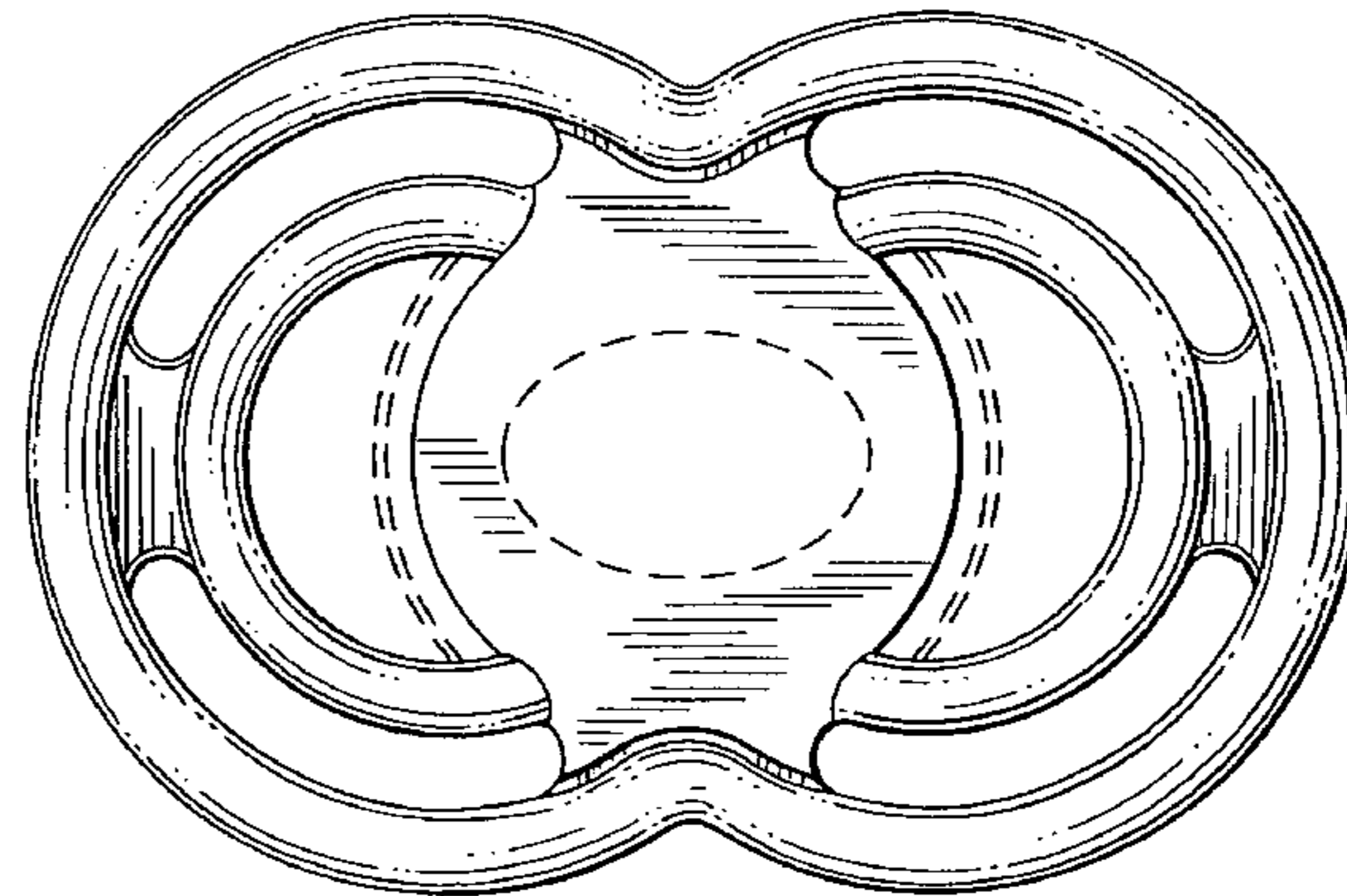
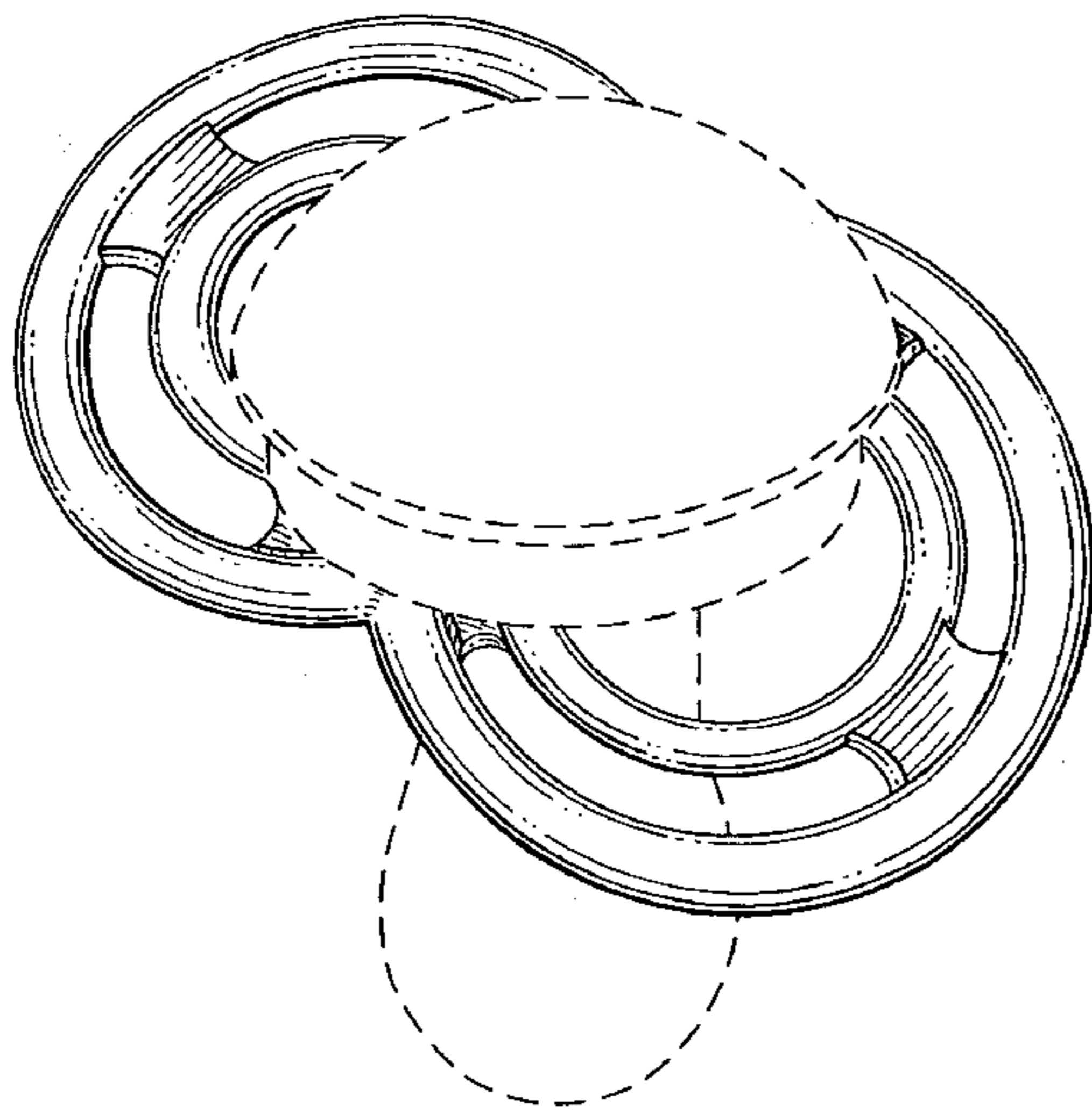
(57) **CLAIM**

The ornamental design of a mono neck pacifier, as shown and described.

**DESCRIPTION**

FIG. 1 is a top, front, right side perspective view of the mono neck pacifier showing our new design;  
FIG. 2 is a top plan view thereof;  
FIG. 3 is a front elevational view, the rear view being a mirror image thereof;  
FIG. 4 is a right side elevational view, the left side being a mirror image thereof; and,  
FIG. 5 is a bottom plan view thereof.  
The broken lines showing structural features are included for the purpose of illustrating non-claimed subject matter and form no part of the claimed design.

**1 Claim, 3 Drawing Sheets**



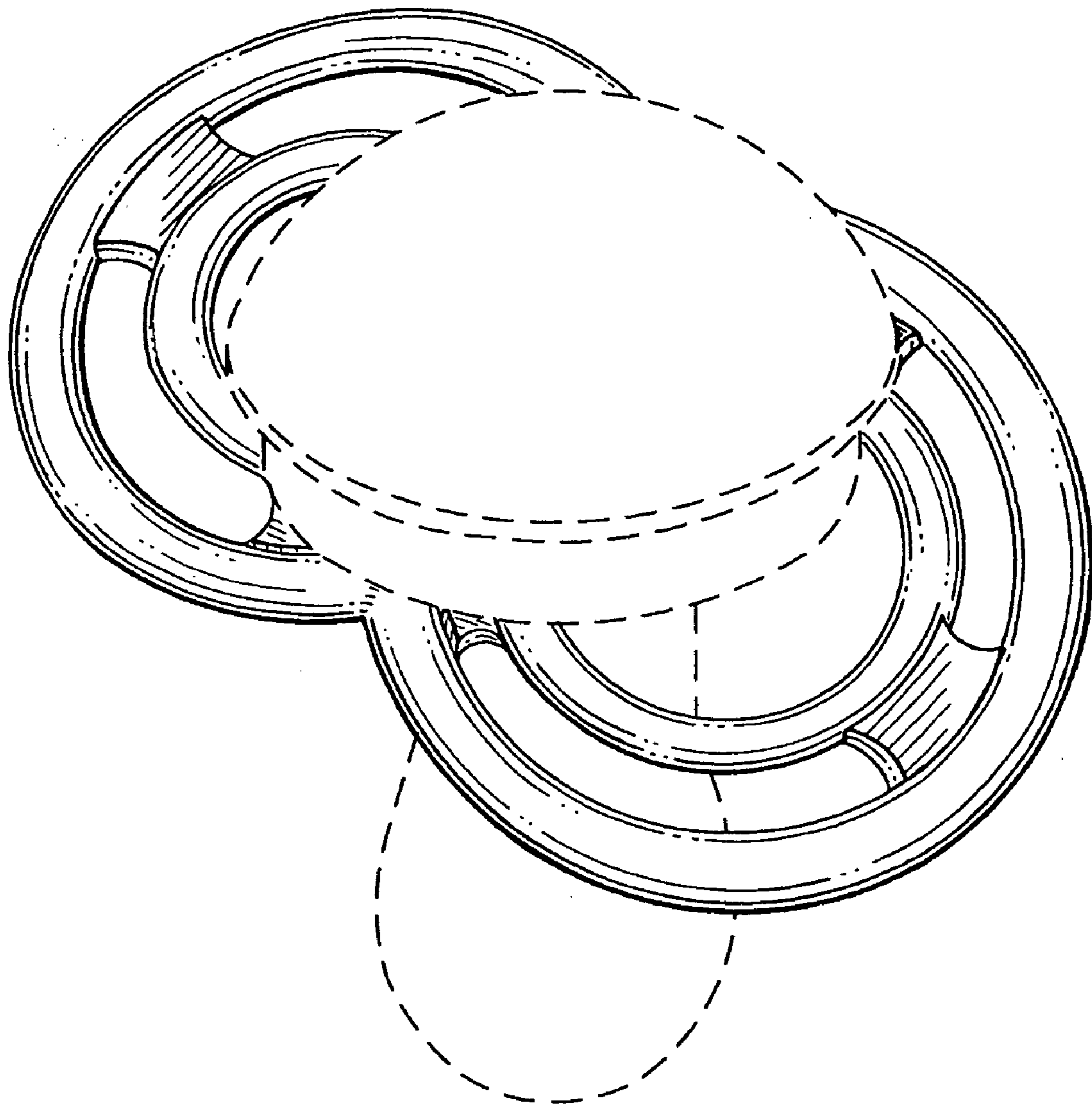


FIG. 1

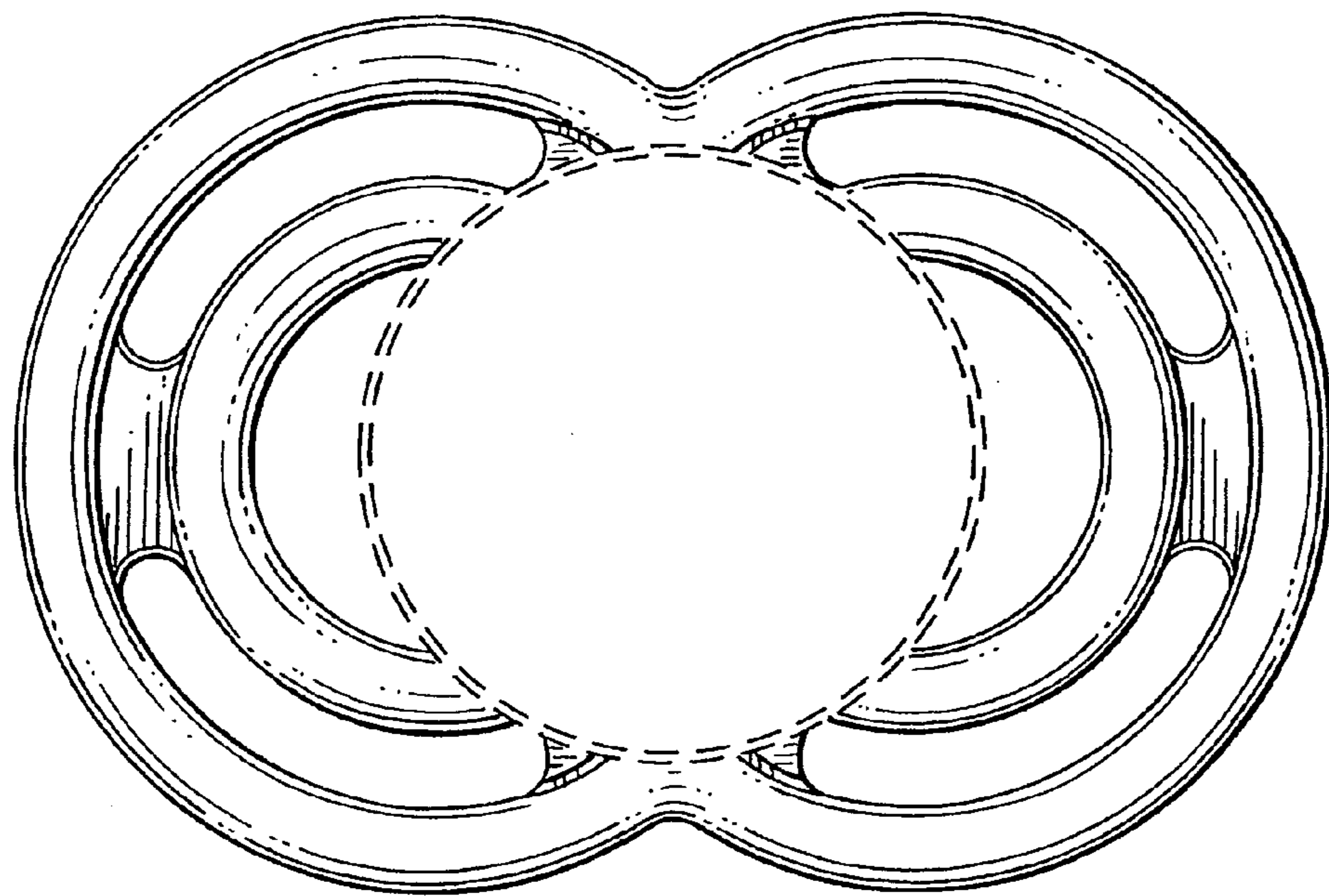


FIG. 2

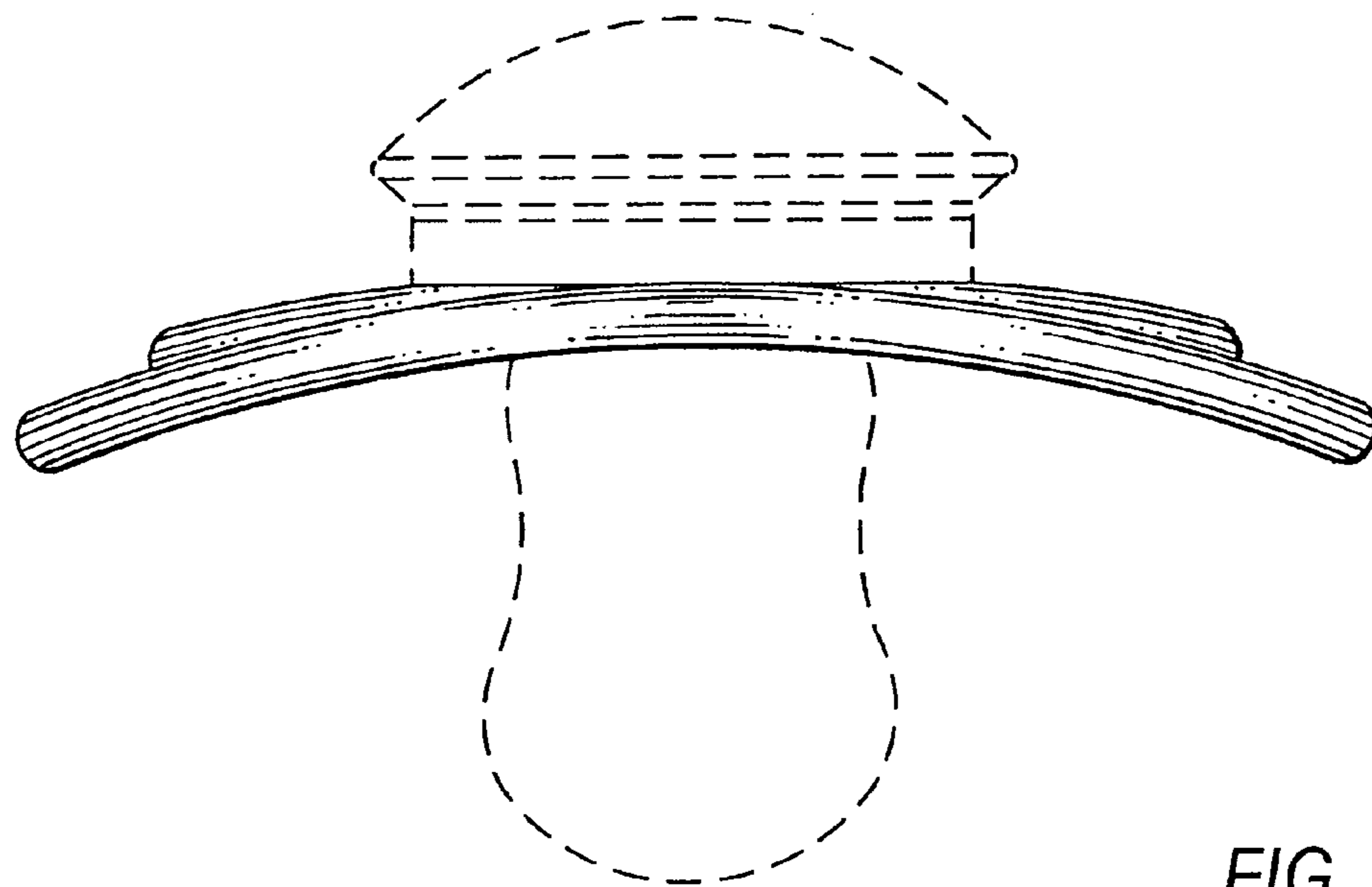


FIG. 3

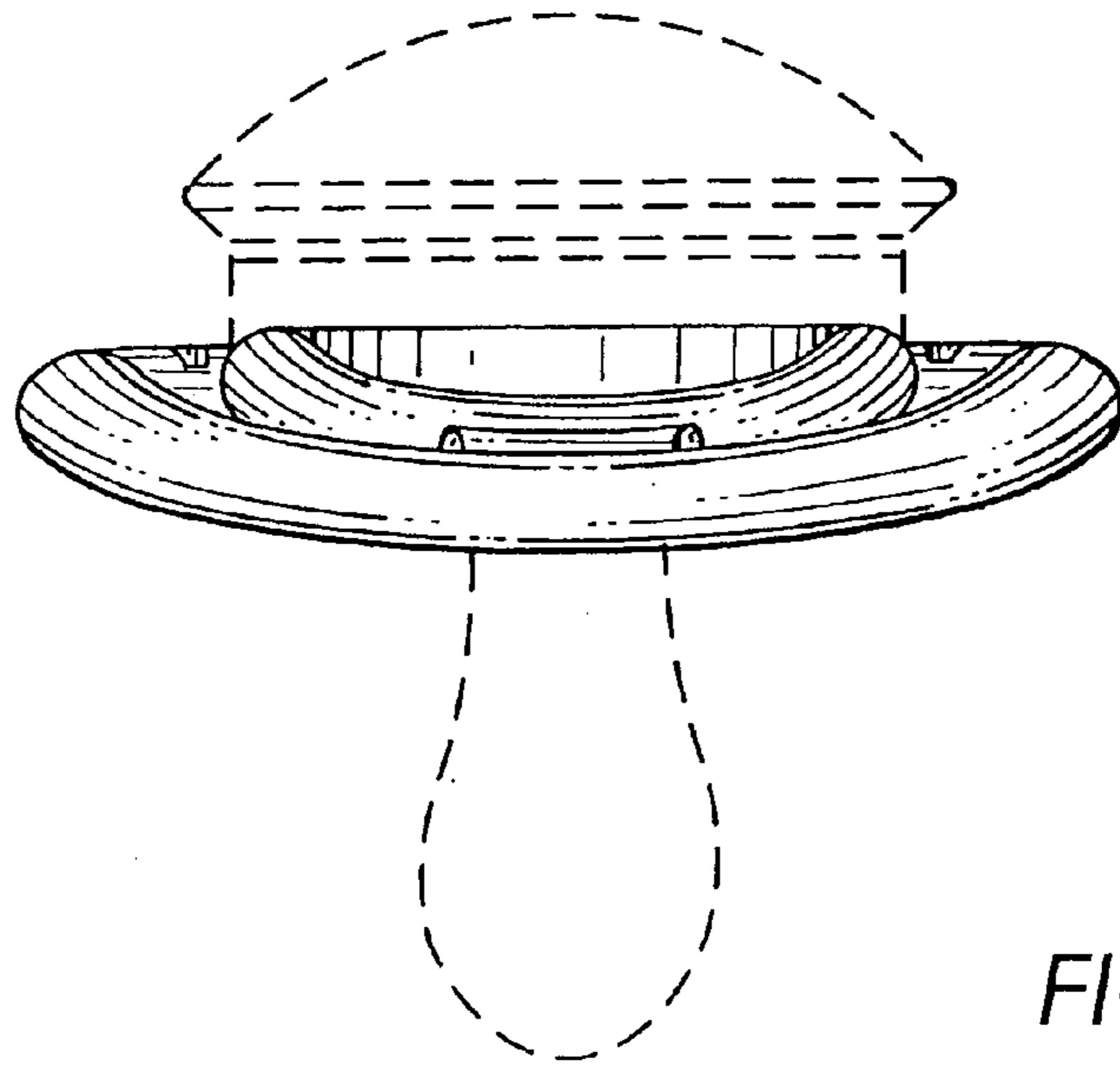


FIG. 4

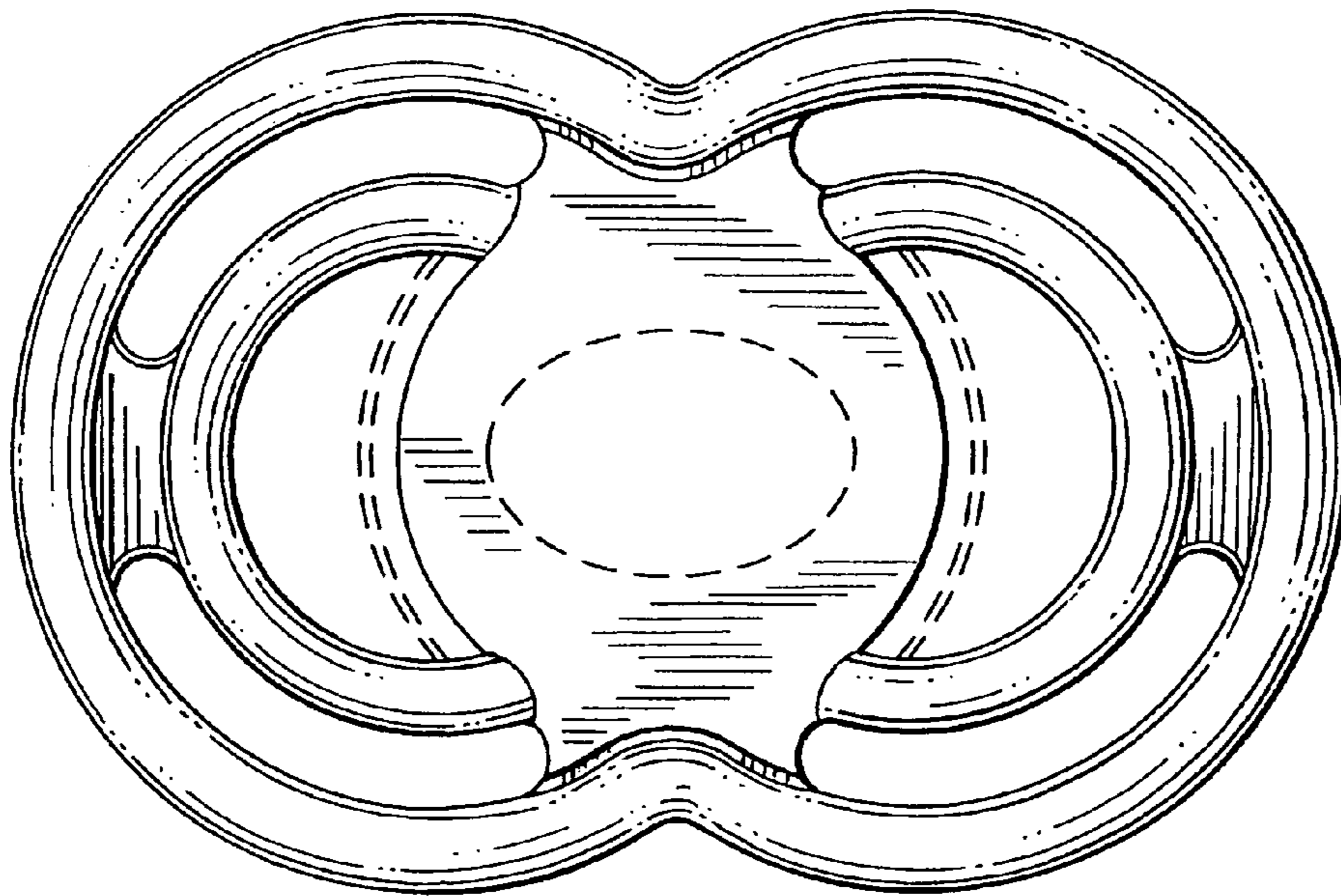


FIG. 5