



US00D636872S

(12) **United States Design Patent**
Marescaux et al.

(10) **Patent No.:** **US D636,872 S**

(45) **Date of Patent:** **** Apr. 26, 2011**

(54) **HANDGRIP FOR MEDICAL DEVICE**

(75) Inventors: **Jacques Marescaux**, Scharrachbergheim (FR); **Bernard Dallemagne**, Beauafys (BE); **Silvana Perretta**, Strasbourg (FR); **Uwe Bacher**, Tuttlingen (DE); **Sabine Summerer**, Tuttlingen (DE)

(73) Assignee: **KARL STORZ GmbH & Co. KG**, Tuttlingen (DE)

(**) Term: **14 Years**

(21) Appl. No.: **29/350,520**

(22) Filed: **Nov. 18, 2009**

(30) **Foreign Application Priority Data**

May 18, 2009 (EM) 001516550-0001
May 18, 2009 (EM) 001516550-0002

(51) **LOC (9) Cl.** **24-02**

(52) **U.S. Cl.** **D24/133**

(58) **Field of Classification Search** D24/133,
D24/138, 143, 146, 147; 606/1, 167, 174,
606/205, 206; 600/153, 154, 564
See application file for complete search history.

(56) **References Cited**

U.S. PATENT DOCUMENTS

6,296,656 B1 * 10/2001 Bolduc et al. 606/213
D568,993 S * 5/2008 Melanson et al. D24/133
D604,844 S * 11/2009 Summerer et al. D24/133

D606,192 S * 12/2009 Summerer et al. D24/133
D609,809 S * 2/2010 Summerer et al. D24/138
2006/0247643 A1 * 11/2006 Bhatnagar et al. 606/75
2009/0054733 A1 * 2/2009 Marescaux et al. 600/141
2009/0247994 A1 * 10/2009 Bacher et al. 606/1
2009/0247995 A1 * 10/2009 Bacher et al. 606/1
2009/0248053 A1 * 10/2009 Bacher et al. 606/170
2010/0268268 A1 * 10/2010 Bacher et al. 606/206

* cited by examiner

Primary Examiner — Bridget L Eland

(74) *Attorney, Agent, or Firm* — Muncy, Geissler, Olds & Lowe, PLLC

(57) **CLAIM**

The ornamental design for a handgrip for medical device, as shown and described.

DESCRIPTION

FIG. 1 is a left side perspective view of a handgrip for medical device of the present invention.

FIG. 2 is a right side perspective view of the handgrip for medical device of FIG. 1.

FIG. 3 is a front perspective view of the handgrip for medical device of FIG. 1.

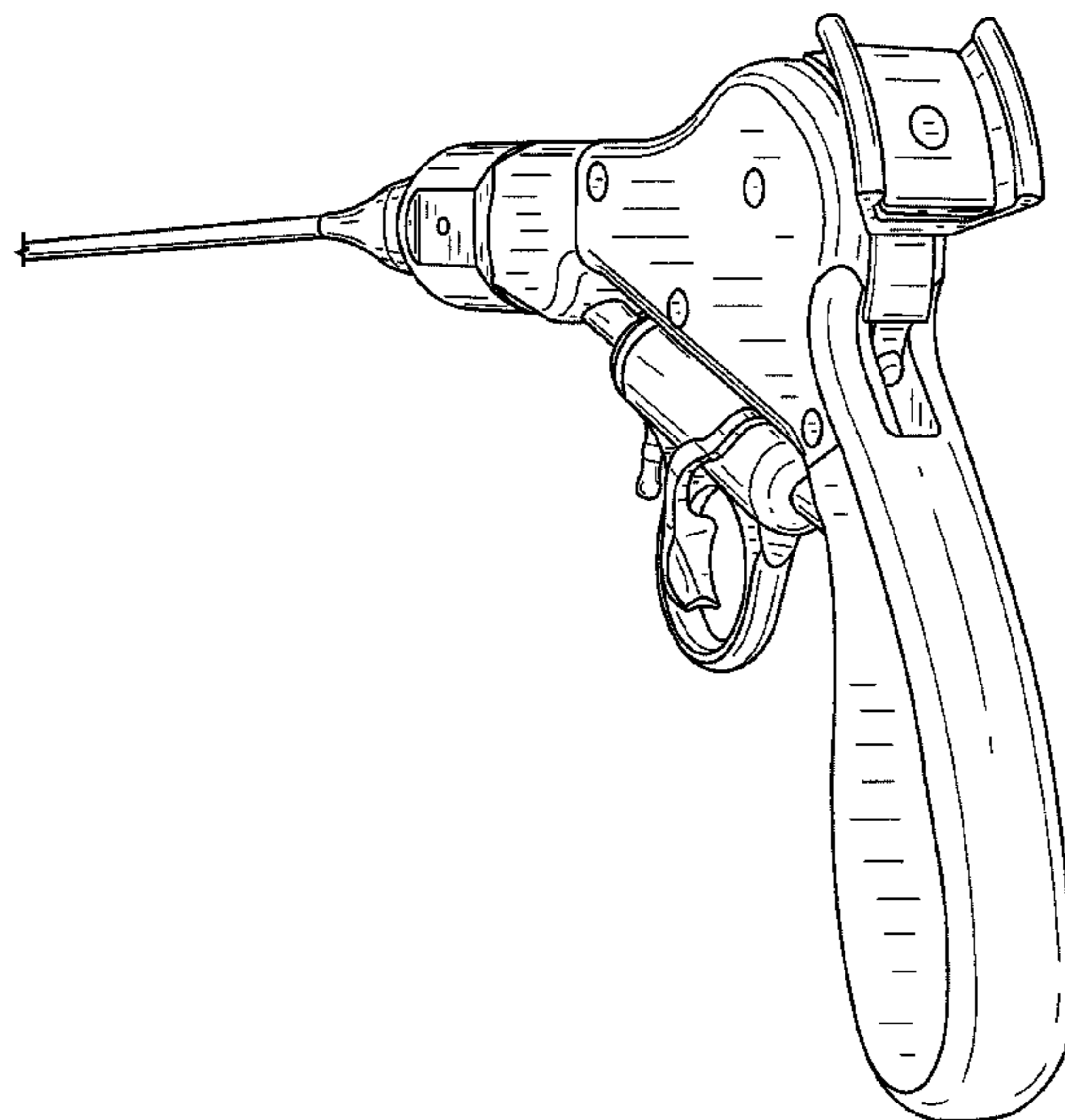
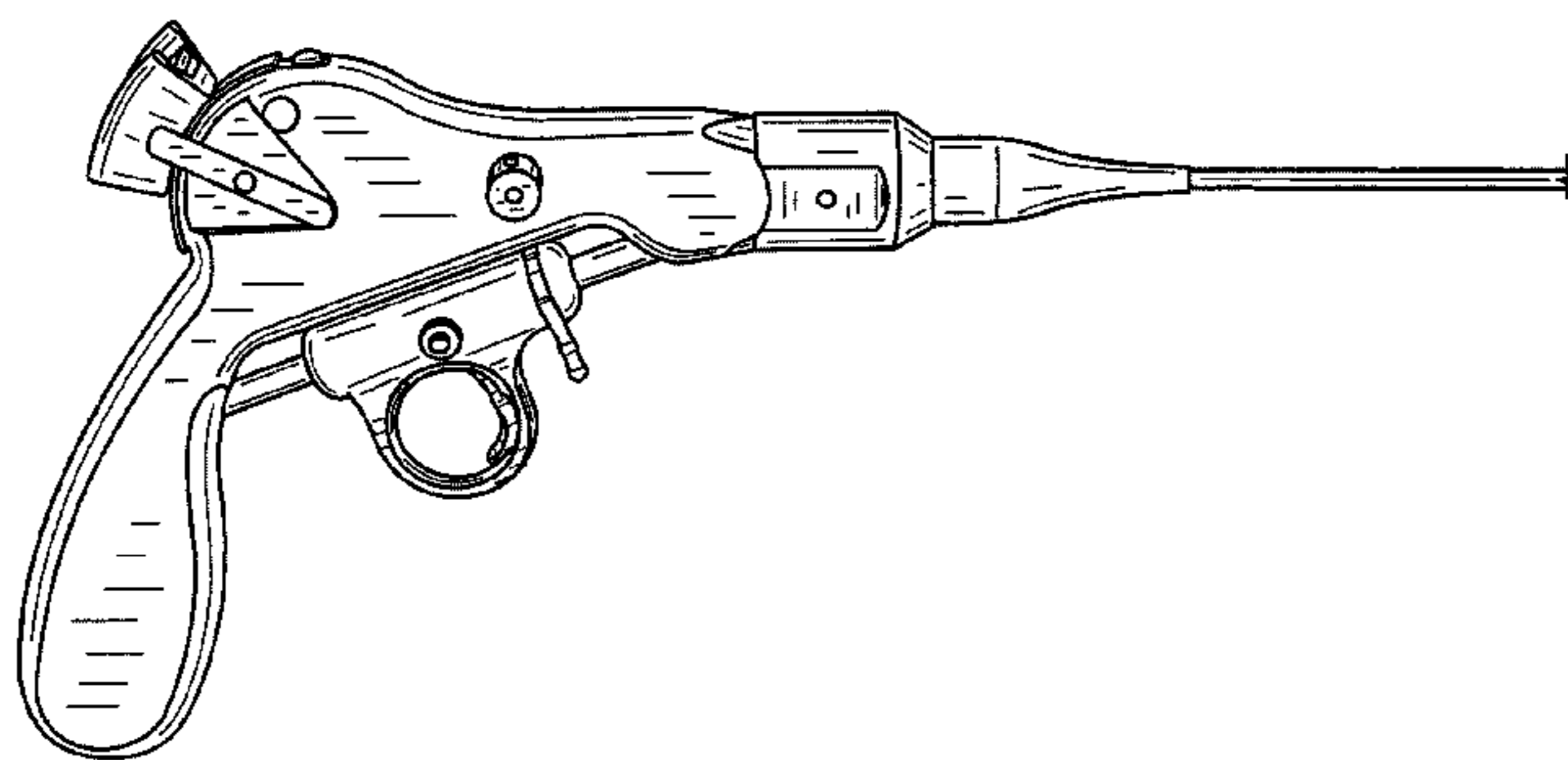
FIG. 4 is a rear perspective view of the handgrip for medical device of FIG. 1.

FIG. 5 is a top perspective view of the handgrip for medical device of FIG. 1.

FIG. 6 is a bottom perspective view of the handgrip for medical device of FIG. 1; and,

FIG. 7 is a three-quarters perspective view of the handgrip for medical device of FIG. 1.

1 Claim, 7 Drawing Sheets



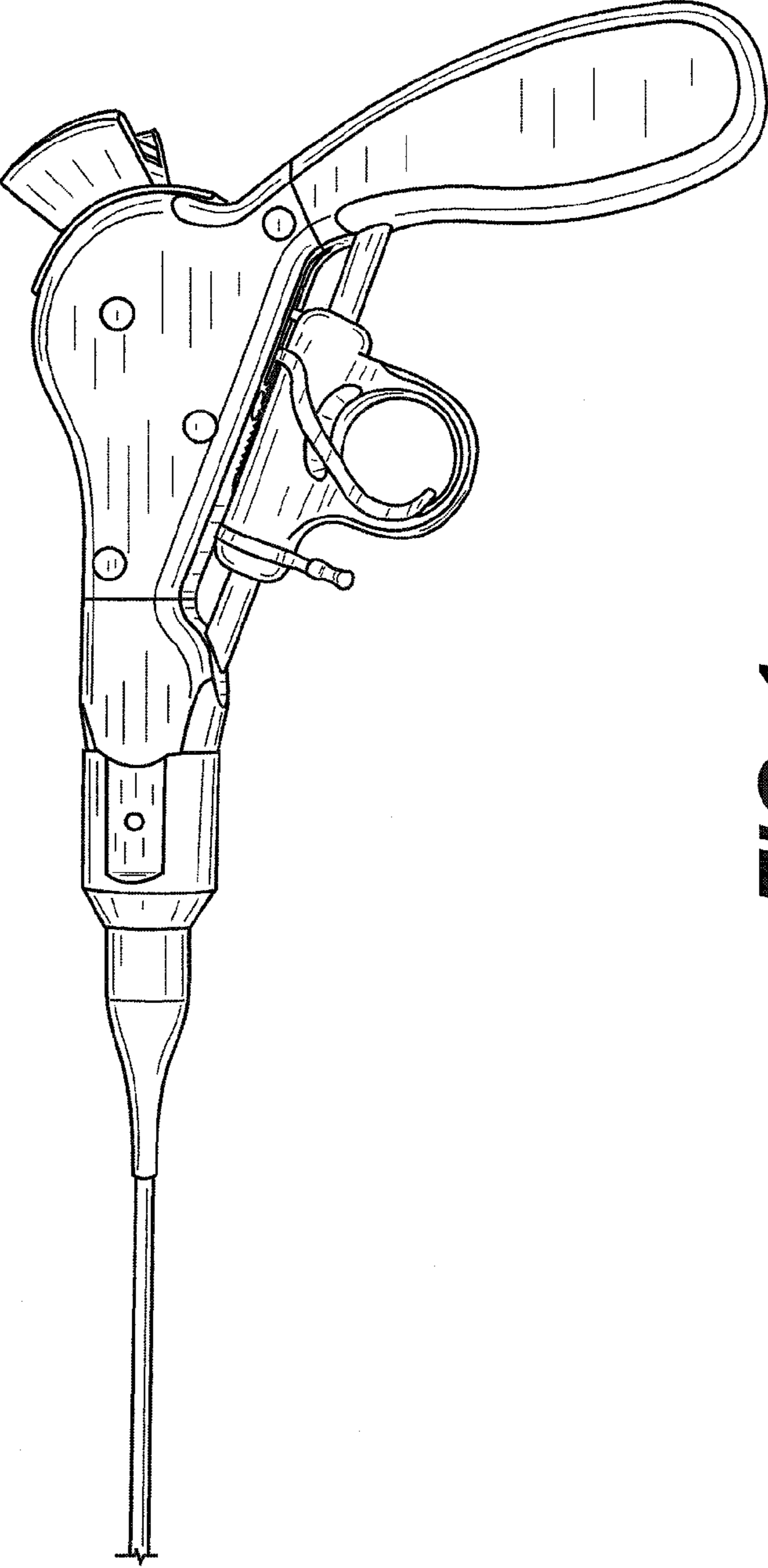


FIG. 1

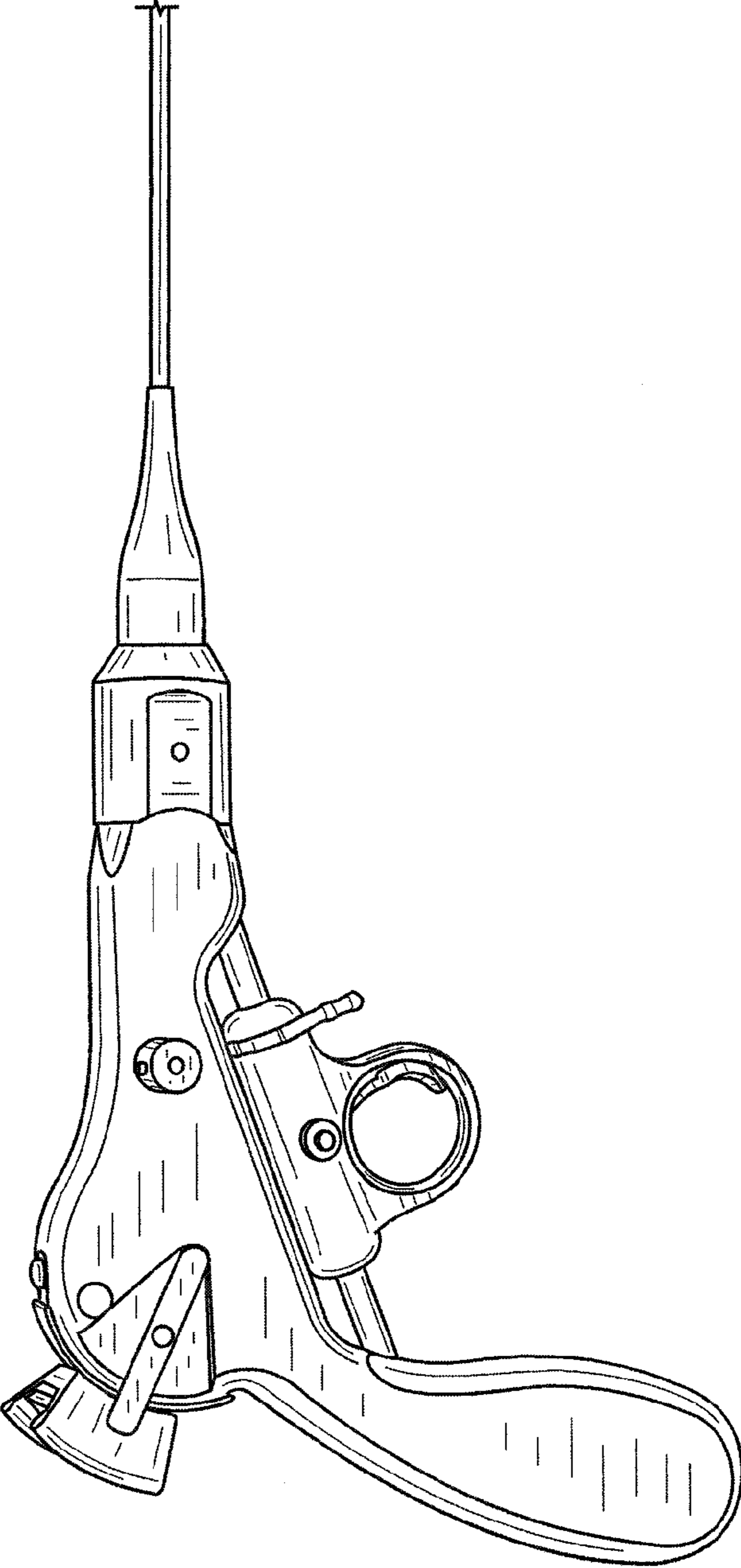


FIG. 2

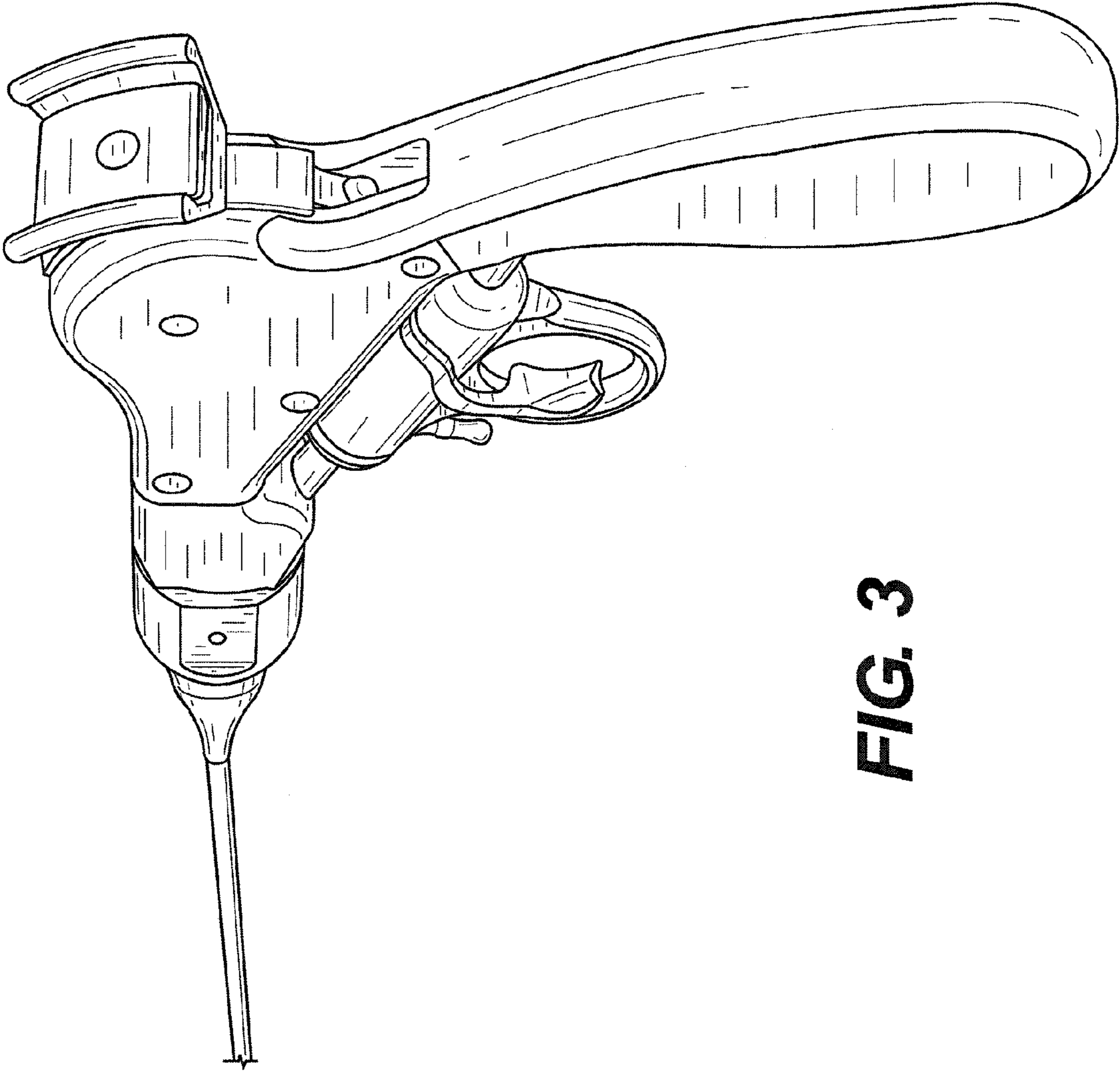


FIG. 3

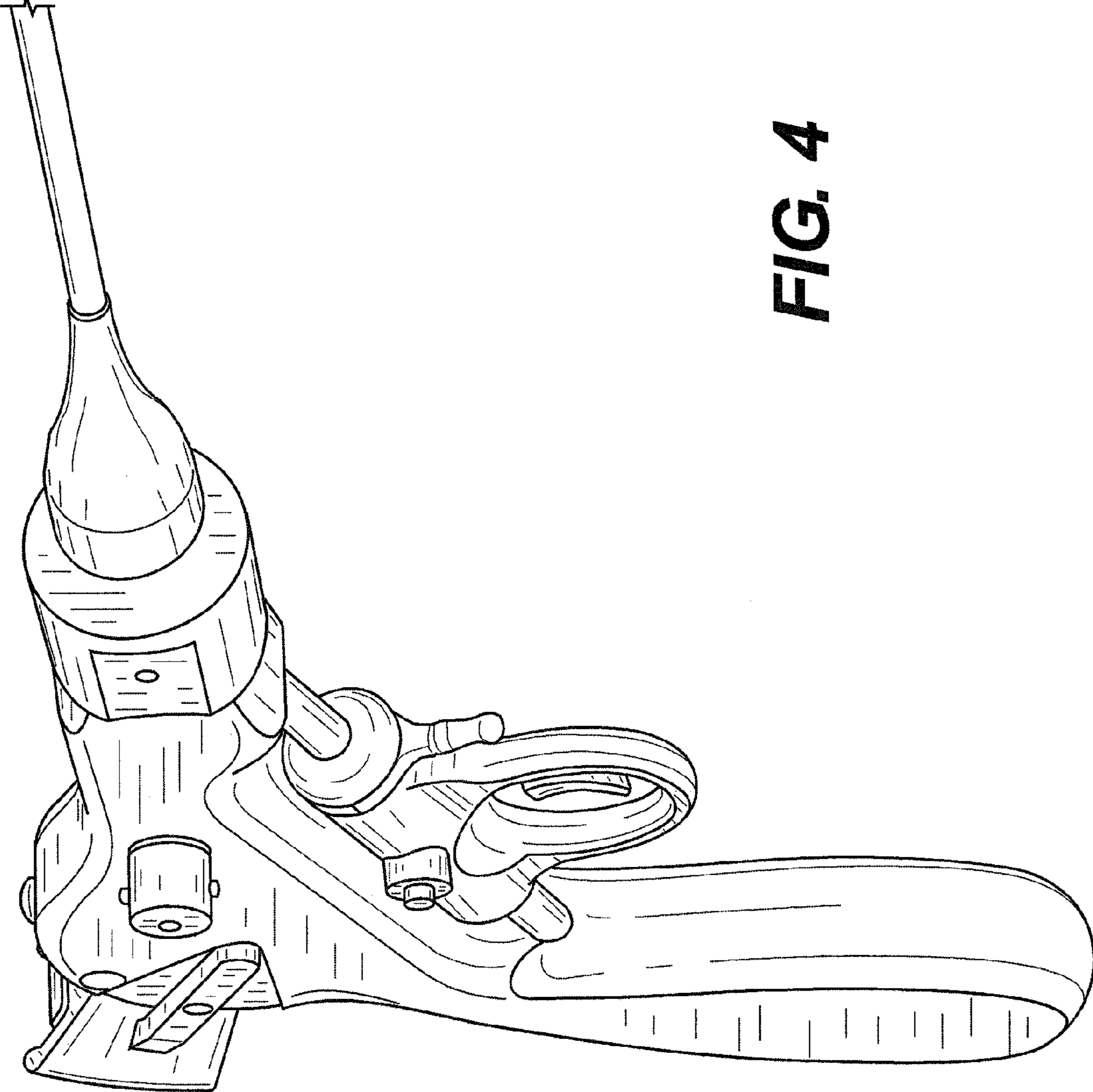


FIG. 4

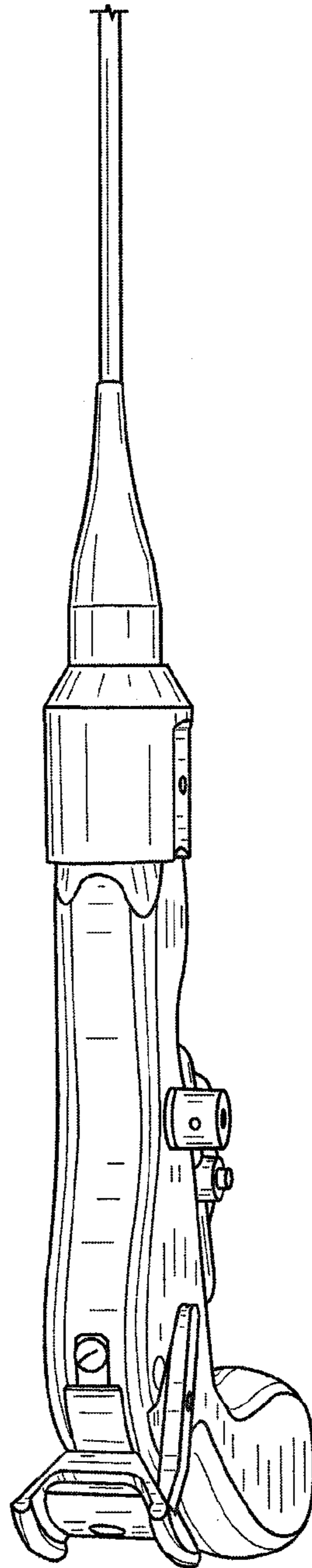


FIG. 5

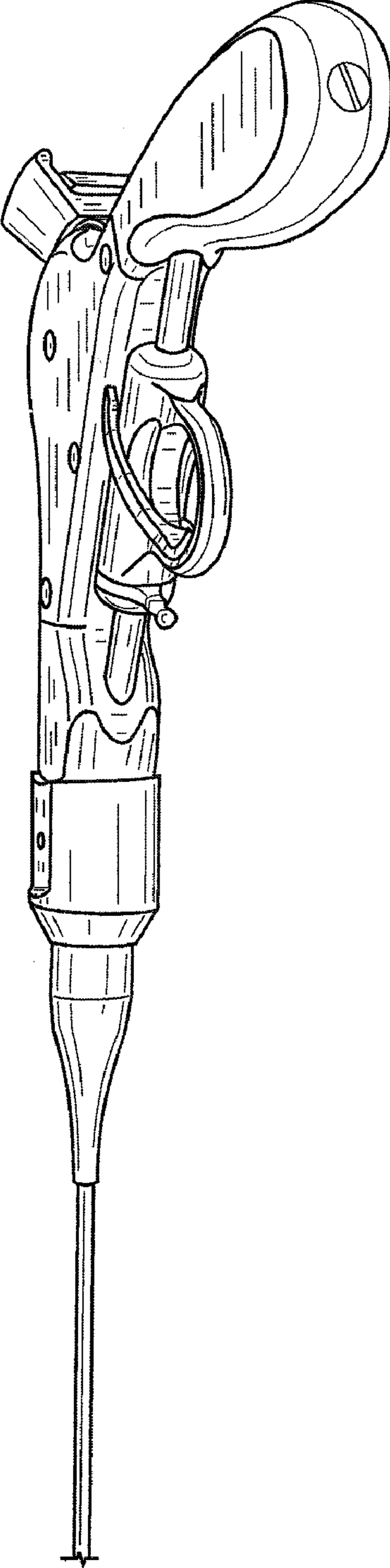


FIG. 6

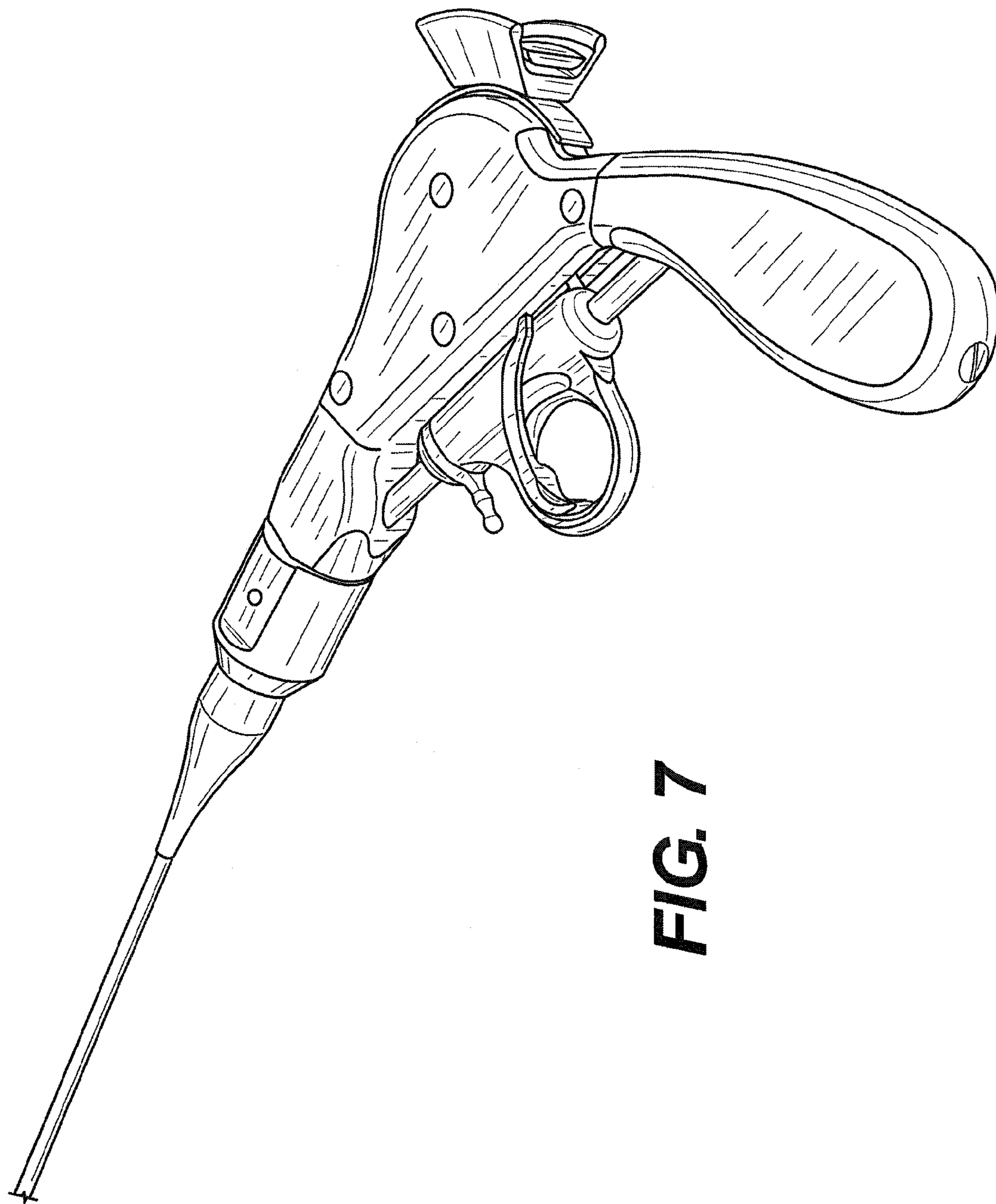


FIG. 7

UNITED STATES PATENT AND TRADEMARK OFFICE
CERTIFICATE OF CORRECTION

PATENT NO. : D636,872 S
APPLICATION NO. : 29/350520
DATED : April 26, 2011
INVENTOR(S) : Jacques Marescaux

Page 1 of 1

It is certified that error appears in the above-identified patent and that said Letters Patent is hereby corrected as shown below:

On the Title Page:

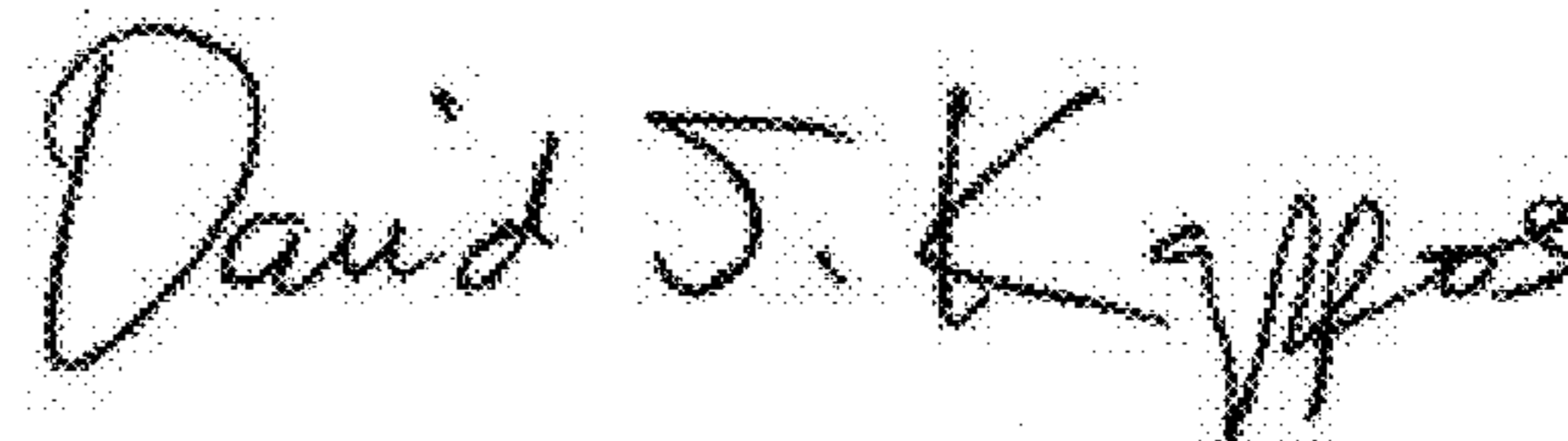
Change from:

Item (75) Inventors: **Sabine Summerer**, Tuttlingen (DE)

To:

Item (75) Inventors: **Sabine Summerer**, Ebersberg (DE)

Signed and Sealed this
Twenty-eighth Day of June, 2011

A handwritten signature in black ink that reads "David J. Kappos". The signature is written in a cursive style with a large initial 'D' and 'K'.

David J. Kappos
Director of the United States Patent and Trademark Office