



US00D636871S

(12) **United States Design Patent**
Hampton et al.

(10) **Patent No.:** **US D636,871 S**

(45) **Date of Patent:** **** Apr. 26, 2011**

(54) **IV POLE ACCESSORY**

(75) Inventors: **Linda M. Hampton**, Bristol, WI (US);
Ishwor P. Adhikari, Mundelein, IL (US)

(73) Assignee: **Medline Industries, Inc.**, Mundelein, IL (US)

(**) Term: **14 Years**

(21) Appl. No.: **29/380,870**

(22) Filed: **Dec. 13, 2010**

Related U.S. Application Data

(62) Division of application No. 29/351,754, filed on Dec. 10, 2009.

(51) **LOC (9) Cl.** **24-02**

(52) **U.S. Cl.** **D24/128**

(58) **Field of Classification Search** D24/127-130;
248/320-321, 327-328, 318, 74.4, 316.2,
248/316.4, 205.2, 68.1; 604/174, 177-180;
128/DIG. 26

See application file for complete search history.

(56) **References Cited**

U.S. PATENT DOCUMENTS

D264,379	S	*	5/1982	Slinkard	D24/128
4,358,080	A	*	11/1982	Wolker	248/68.1
D269,121	S	*	5/1983	Pollard	D24/128
D269,156	S	*	5/1983	Slinkard	D8/396
4,460,139	A	*	7/1984	Bochen et al.	248/68.1

D287,055	S	*	12/1986	Fick et al.	D24/128
4,669,688	A	*	6/1987	Itoh et al.	248/74.2
D339,195	S	*	9/1993	Nash et al.	D24/128
5,277,346	A	*	1/1994	Stier	224/509
5,326,059	A	*	7/1994	Pryor et al.	248/231.71
5,385,324	A	*	1/1995	Pryor et al.	248/228.3
5,458,303	A	*	10/1995	Ruckwardt	248/74.2
D377,092	S	*	12/1996	Ebert	D24/128
D381,745	S	*	7/1997	Owens	D24/128
D617,452	S	*	6/2010	Hampton et al.	D24/128
D631,152	S	*	1/2011	Hampton et al.	D24/128

* cited by examiner

Primary Examiner — T. Chase Nelson

Assistant Examiner — Eric L Goodman

(74) *Attorney, Agent, or Firm* — David S. Noskowicz

(57) **CLAIM**

The ornamental design for a IV pole accessory, as shown and described.

DESCRIPTION

FIG. 1 is a perspective view of an ornamental design for a first embodiment of an IV pole accessory.

FIG. 2 is a front view thereof.

FIG. 3 is a rear view thereof.

FIG. 4 is a first side view thereof.

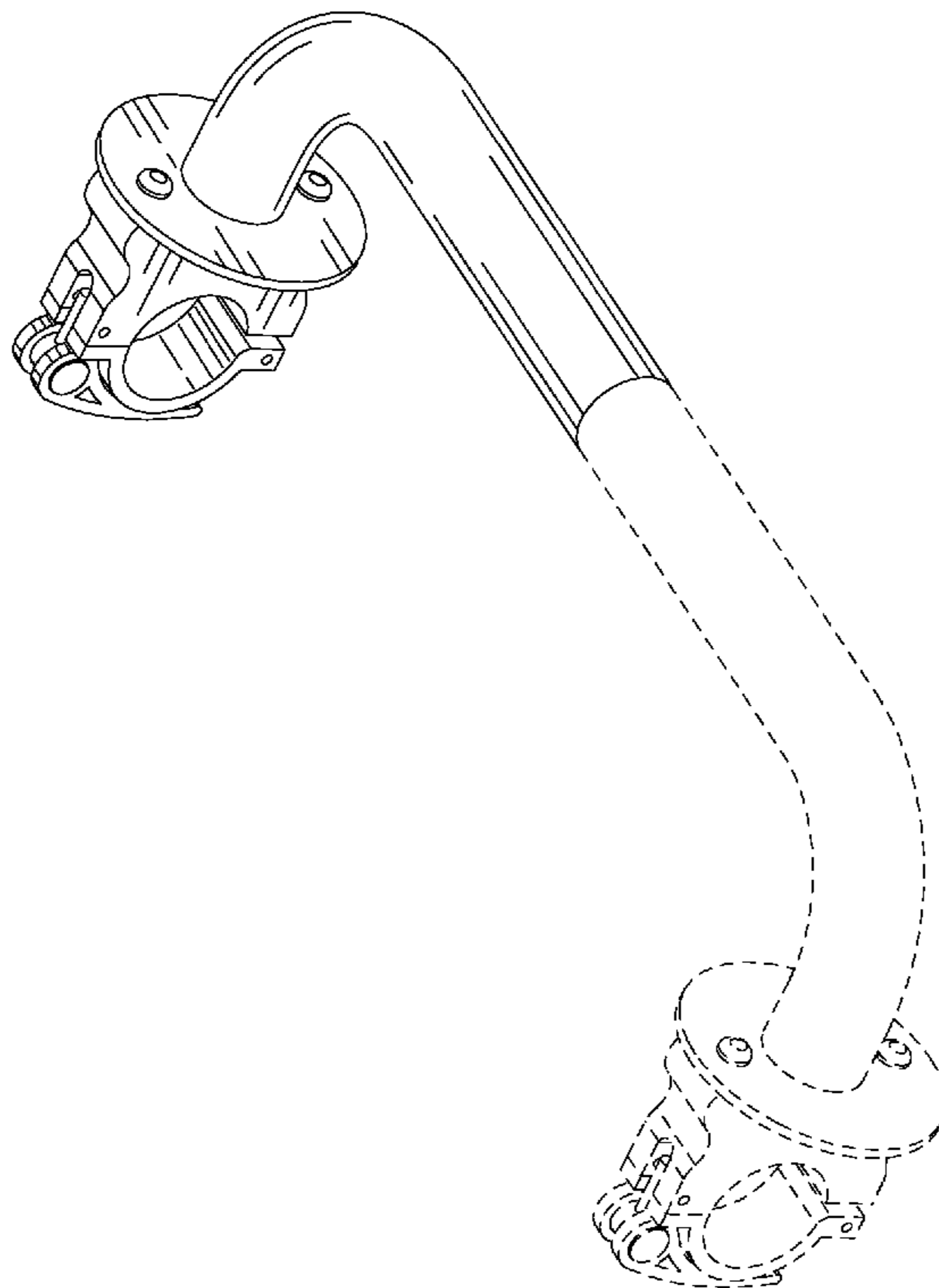
FIG. 5 is a second side view thereof.

FIG. 6 is a top view thereof; and,

FIG. 7 is a bottom view thereof.

The broken lines shown in FIGS. 1-7 are included for the purpose of illustrating environmental elements only and form no part of the claimed design.

1 Claim, 5 Drawing Sheets



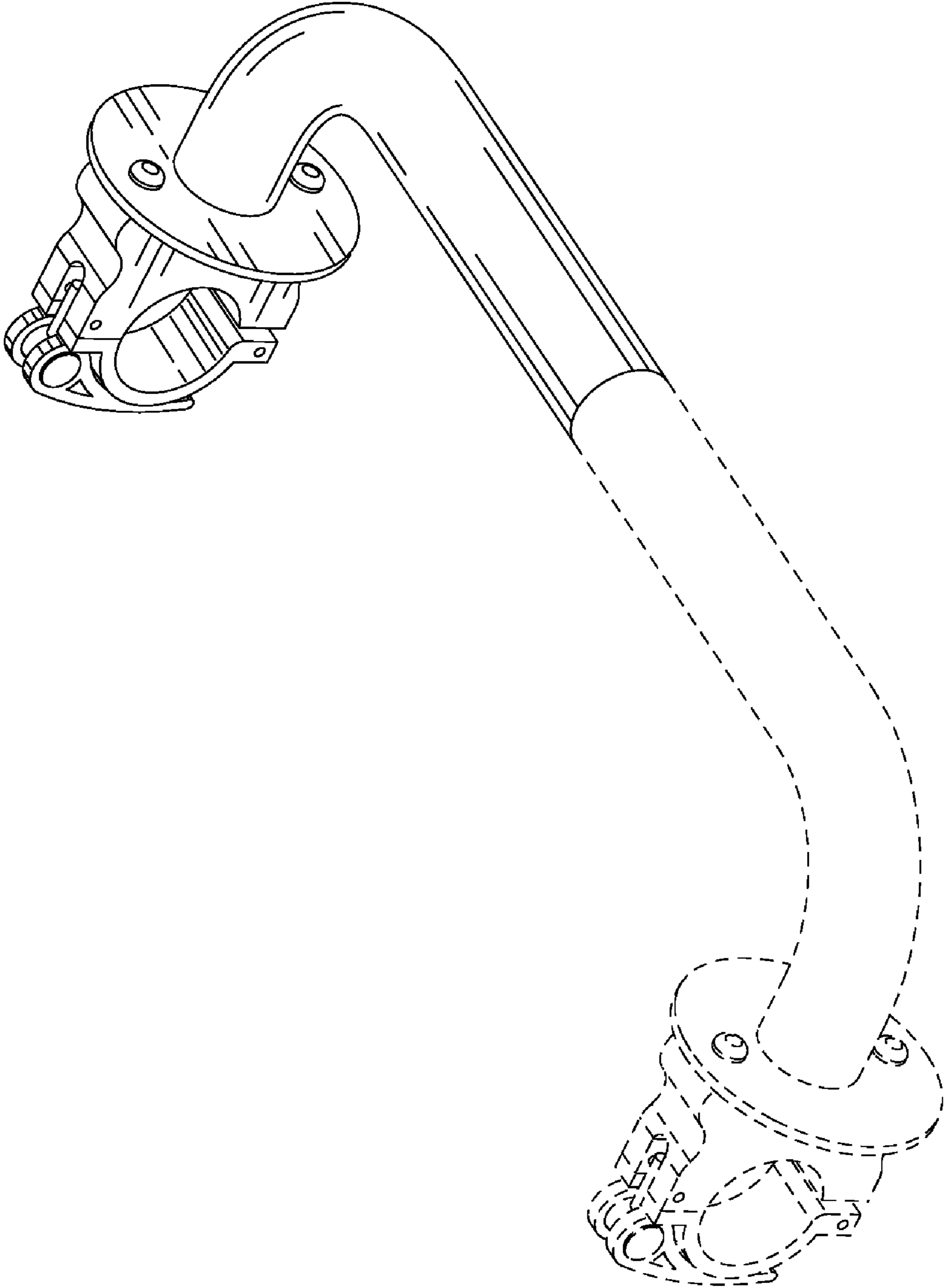


FIG. 1

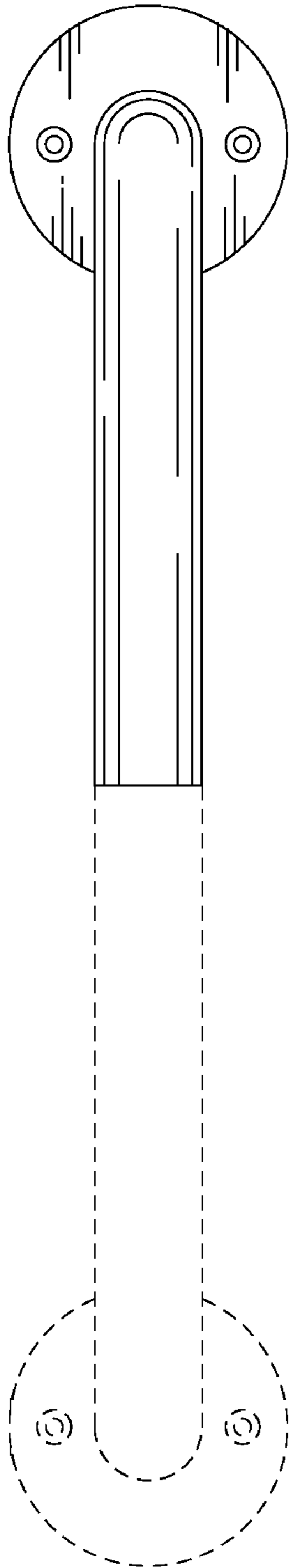


FIG. 2

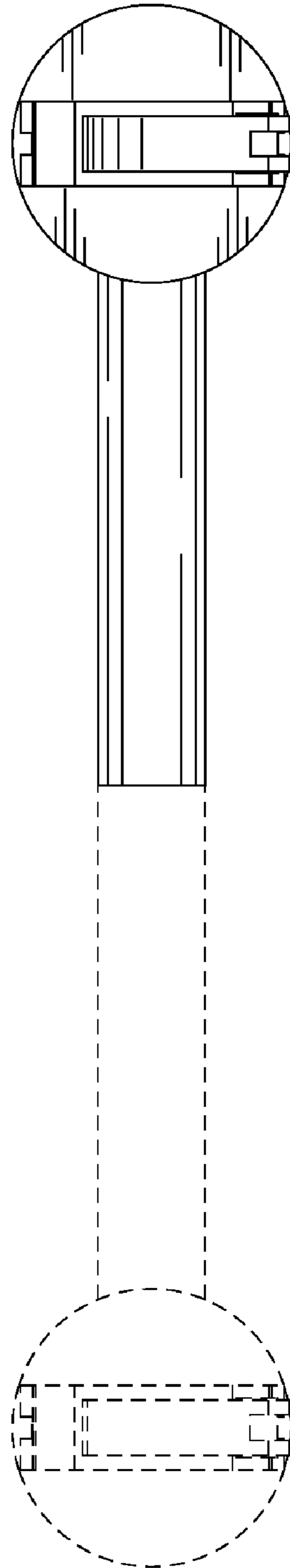


FIG. 3

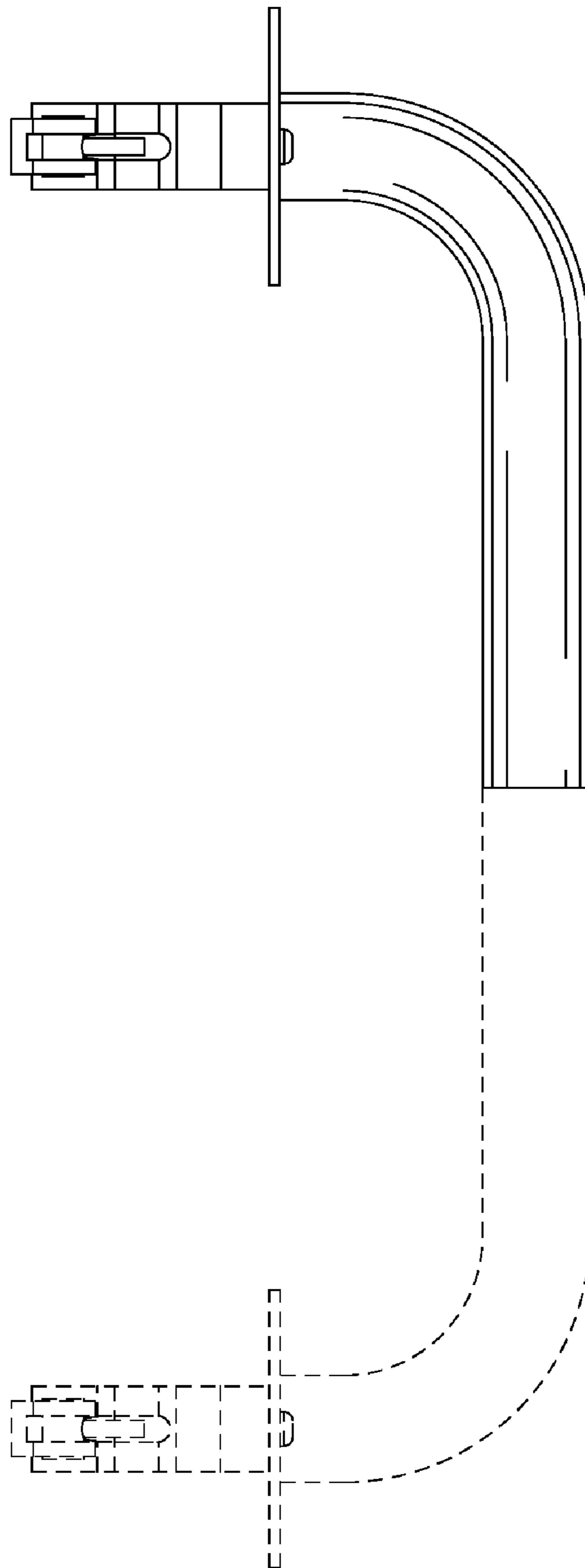


FIG. 4

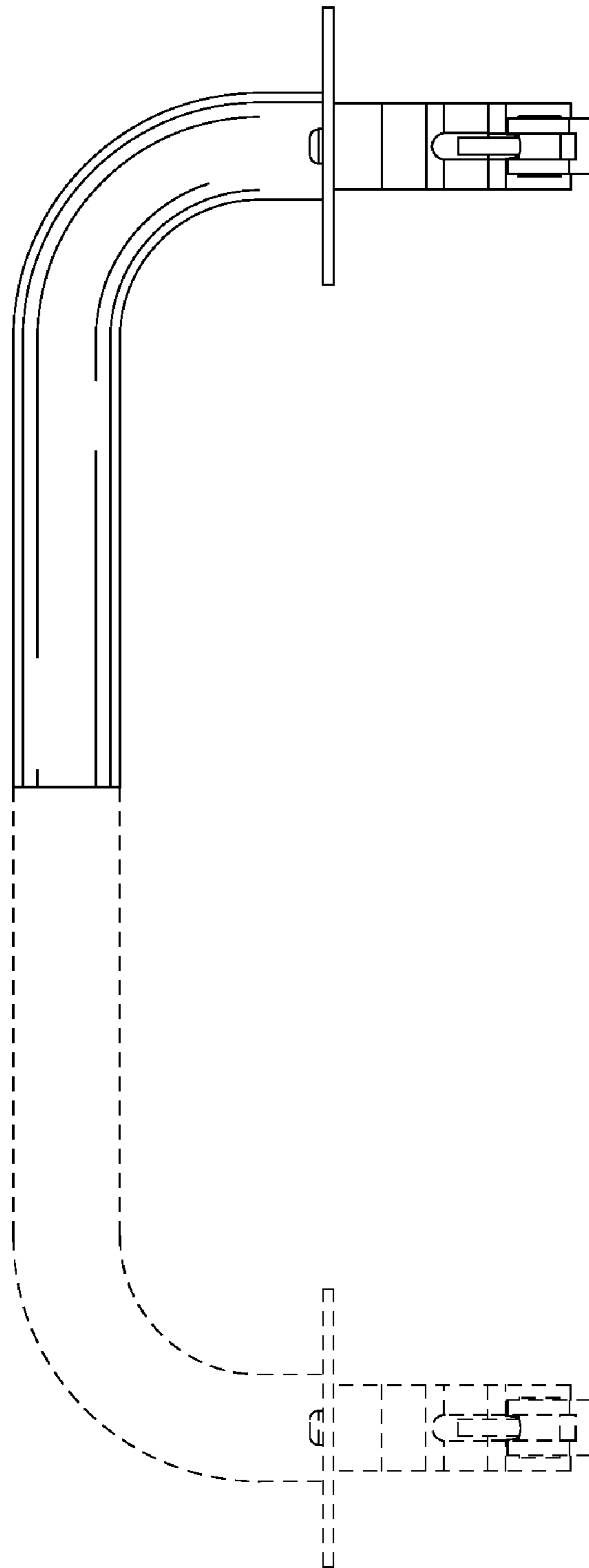


FIG. 5

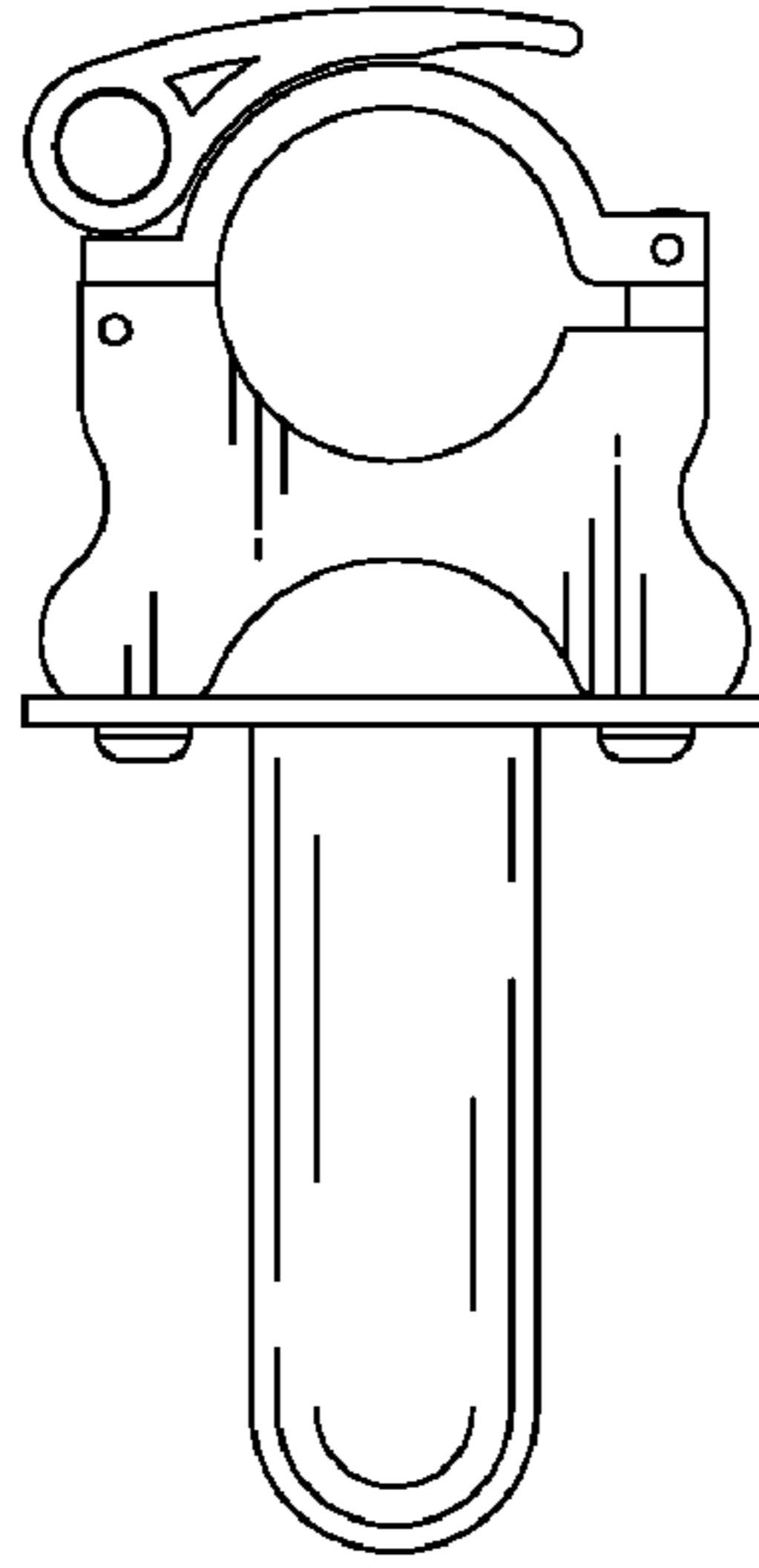


FIG. 6

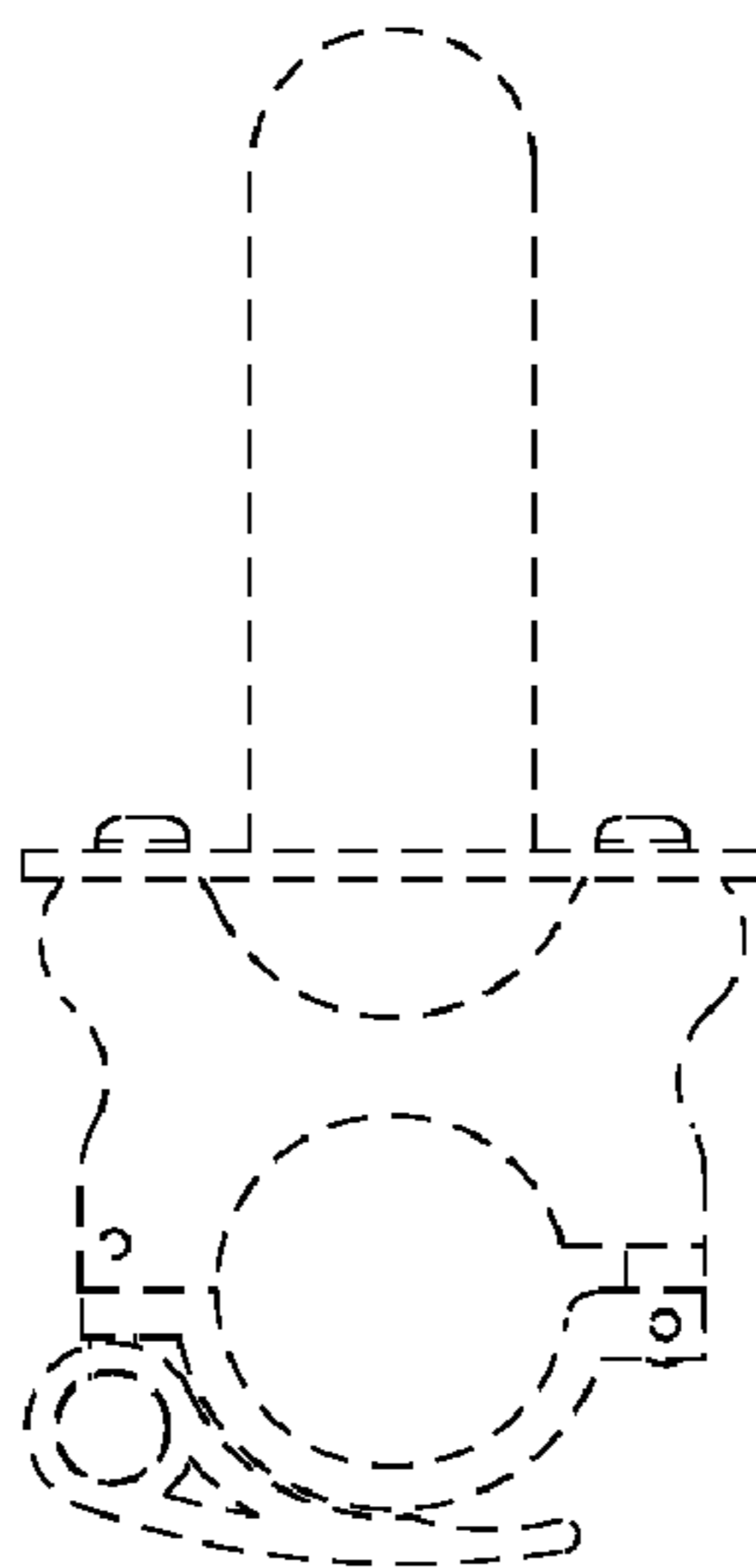


FIG. 7