



US00D636869S

(12) **United States Design Patent**
Laurenzi et al.

(10) **Patent No.:** **US D636,869 S**
(45) **Date of Patent:** **** Apr. 26, 2011**

(54) **DRY POWDER INHALER**

(75) Inventors: **Brendan Laurenzi**, New Milford, CT (US); **P. Spencer Kinsey**, Sandy Hook, CT (US); **Benoit Adamo**, Mount Kisco, NY (US); **John M. Polidoro**, Coventry, CT (US); **Chad C. Smutney**, Watertown, CT (US)

(73) Assignee: **MannKind Corporation**, Valencia, CA (US)

(**) Term: **14 Years**

(21) Appl. No.: **29/363,775**

(22) Filed: **Jun. 14, 2010**

(51) **LOC (9) Cl.** **24-01**

(52) **U.S. Cl.** **D24/110**

(58) **Field of Classification Search** D24/108–110.5, D24/112–114; 128/200.14–200.23, 203.12–203.24
See application file for complete search history.

(56) **References Cited**

U.S. PATENT DOCUMENTS

D441,859 S *	5/2001	Pera	D24/110
6,523,536 B2 *	2/2003	Fugelsang et al.	128/200.14
6,698,422 B2 *	3/2004	Fugelsang et al.	128/200.14
6,904,906 B2 *	6/2005	Salter et al.	128/200.21
D605,752 S *	12/2009	Polidoro	D24/110
D614,760 S *	4/2010	Smutney et al.	D24/110

* cited by examiner

Primary Examiner — Ian Simmons

Assistant Examiner — Charles D Hanson

(74) *Attorney, Agent, or Firm* — K&L Gates LLP; Louis C. Cullman; Brian J. Novak

(57) **CLAIM**

The ornamental design for a dry powder inhaler, as shown and described.

DESCRIPTION

FIG. 1 is a perspective view of our new dry powder inhaler design.

FIG. 2 is a top view of the dry powder inhaler shown in FIG. 1.

FIG. 3 is a bottom view of the dry powder inhaler shown in FIG. 1.

FIG. 4 is a side view of the dry powder inhaler shown in FIG. 1.

FIG. 5 is a front view of the dry powder inhaler shown in FIG. 1.

FIG. 6 is a back view of the dry powder inhaler shown in FIG. 1; and,

FIG. 7 is a second perspective view of the dry powder inhaler shown in FIG. 1.

The broken line showing of is included for the purpose of illustrating environment and forms no part of the claimed design.

1 Claim, 4 Drawing Sheets

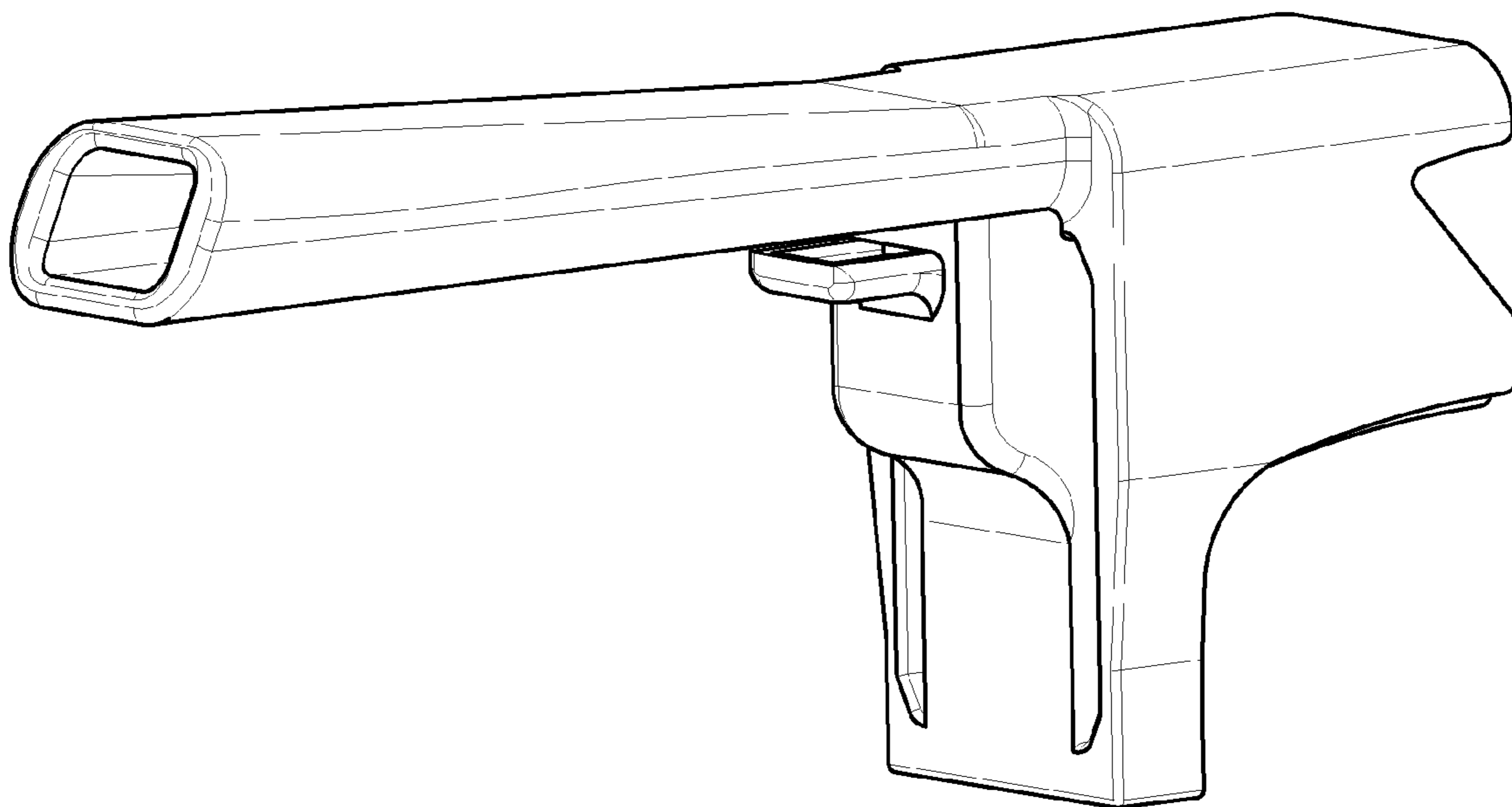


FIG. 1

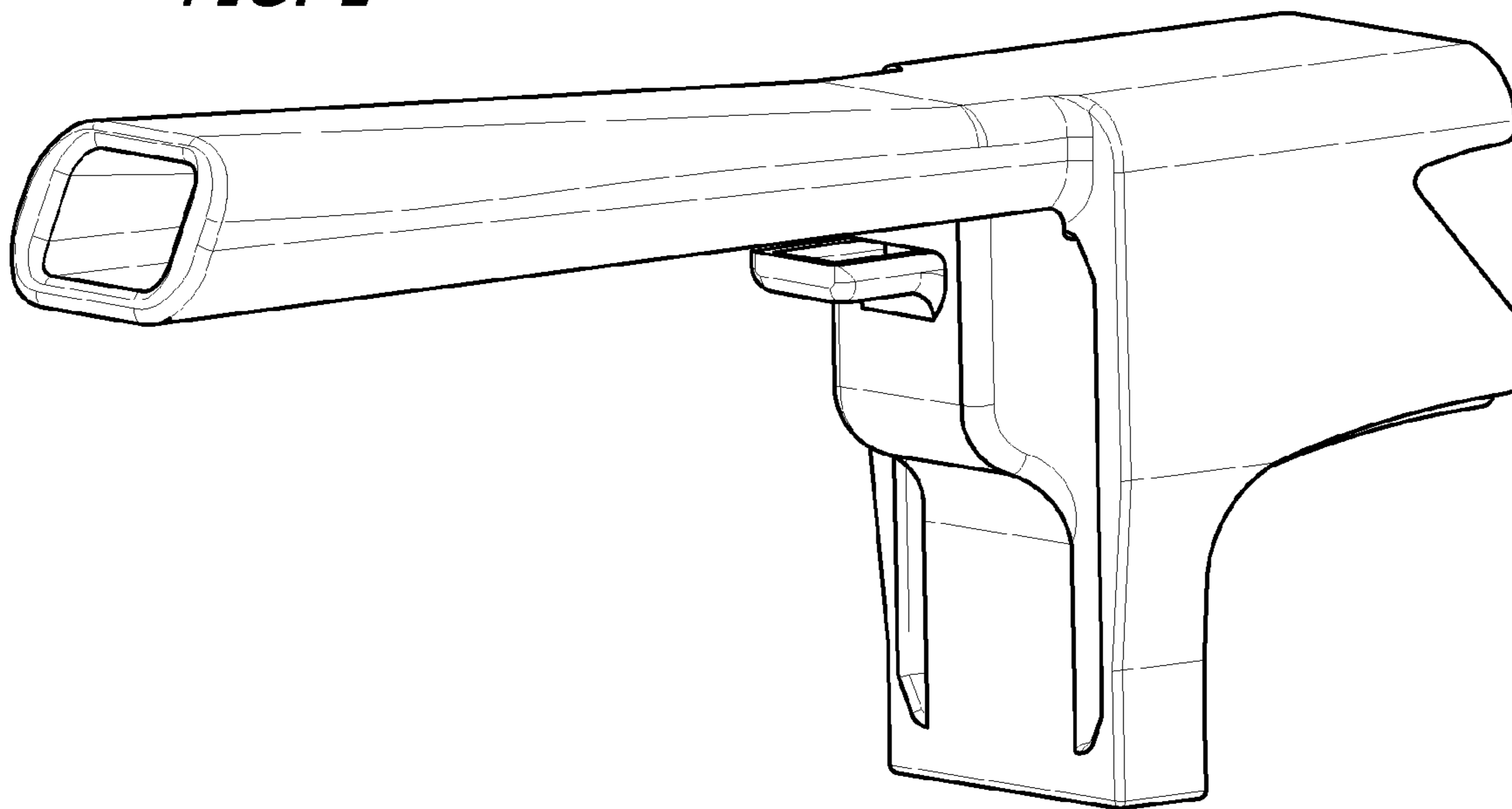


FIG. 2

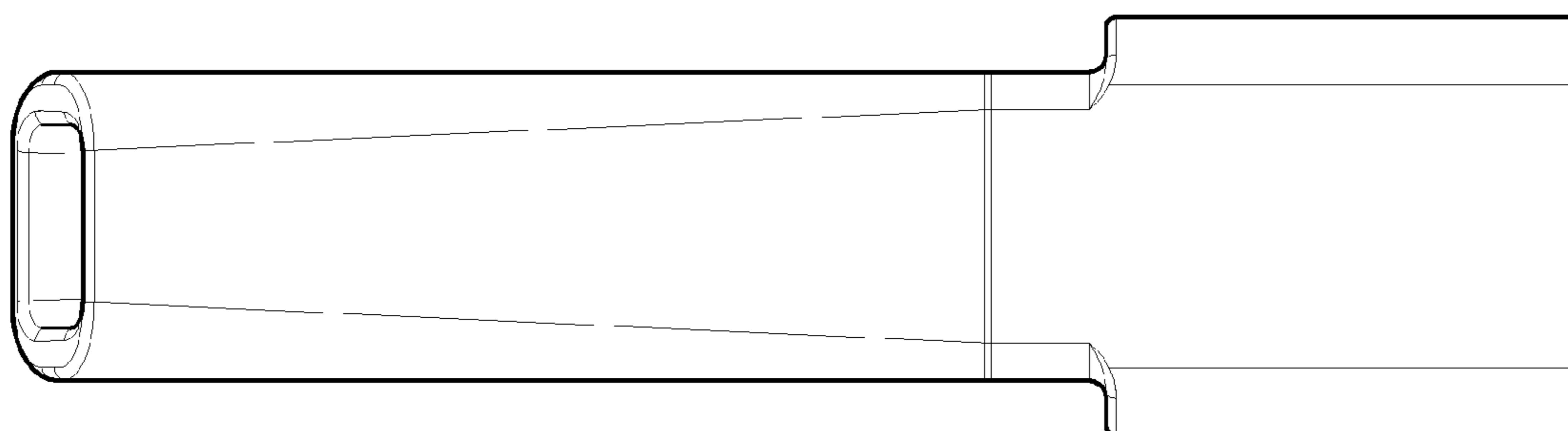


FIG. 3

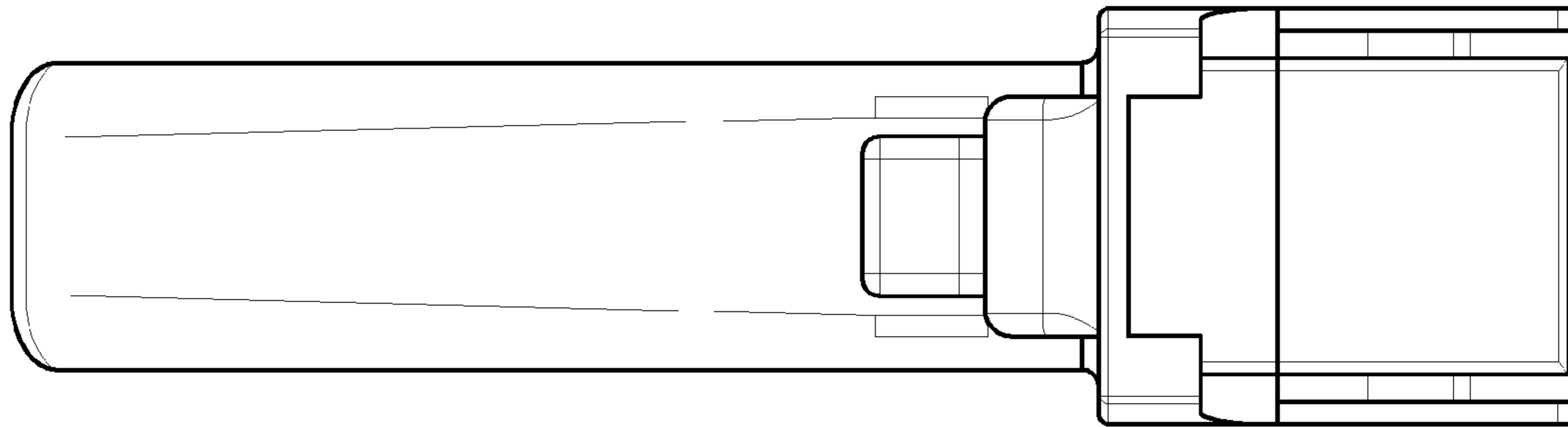


FIG. 4

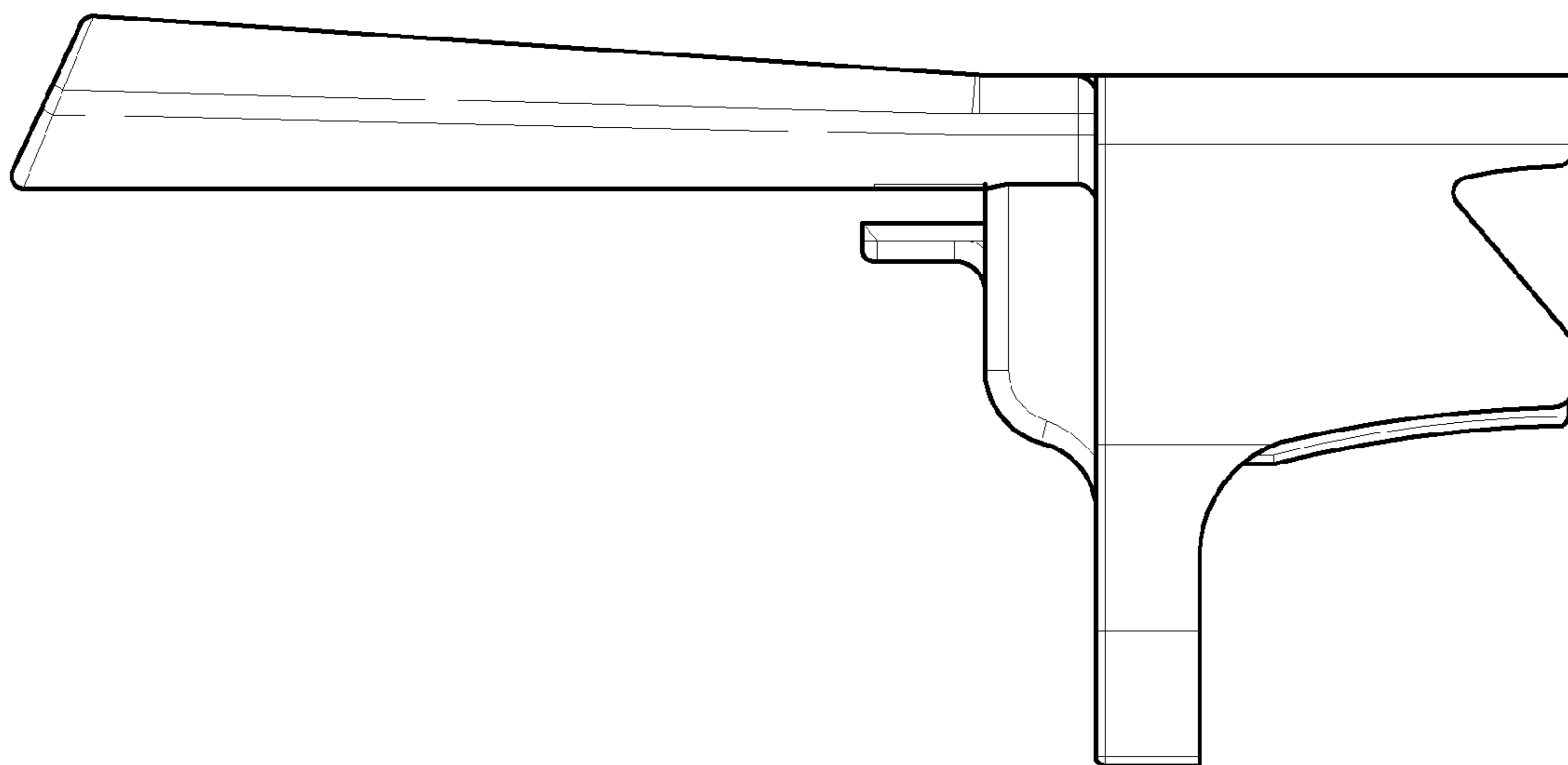


FIG. 5

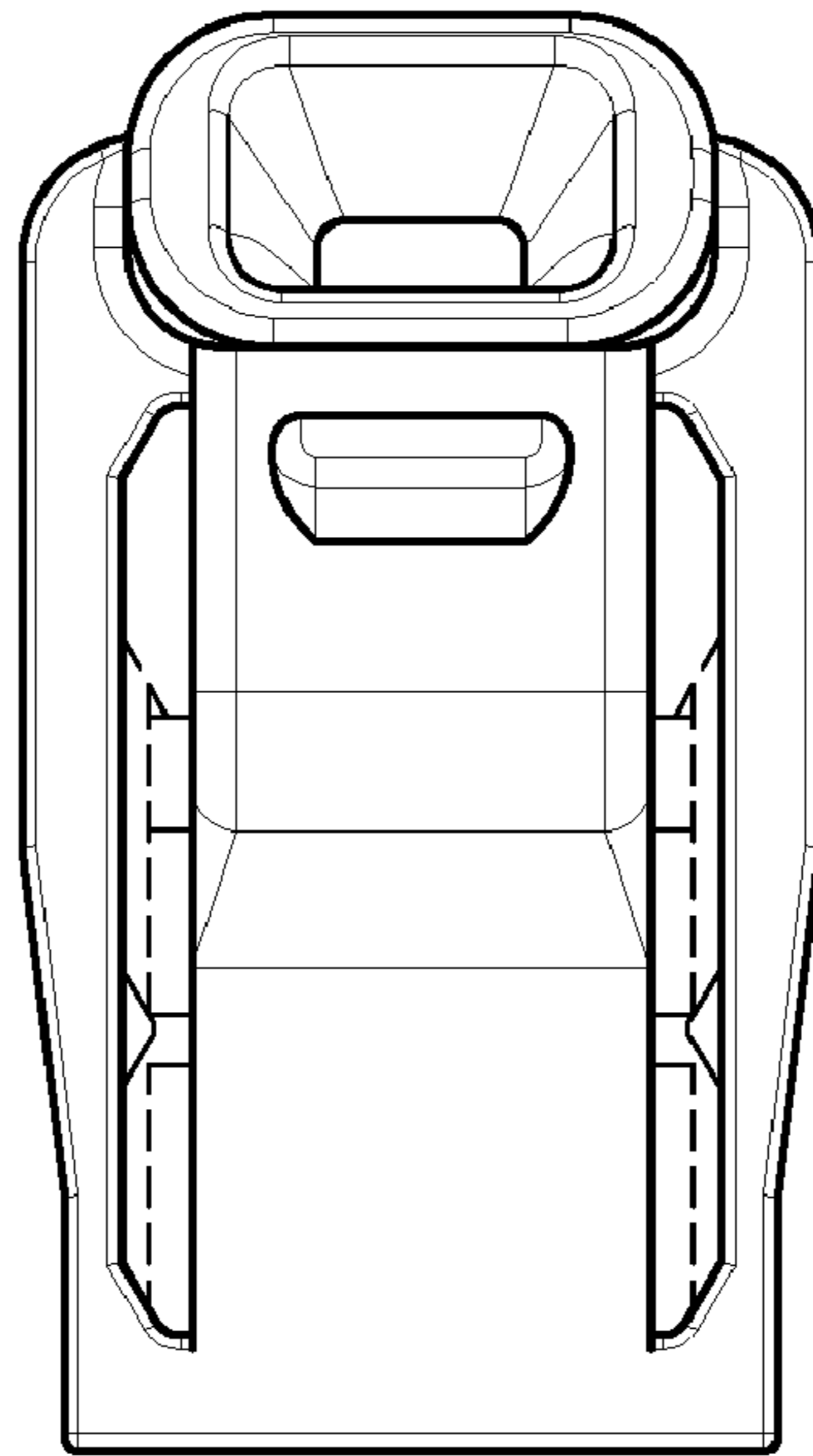


FIG. 6

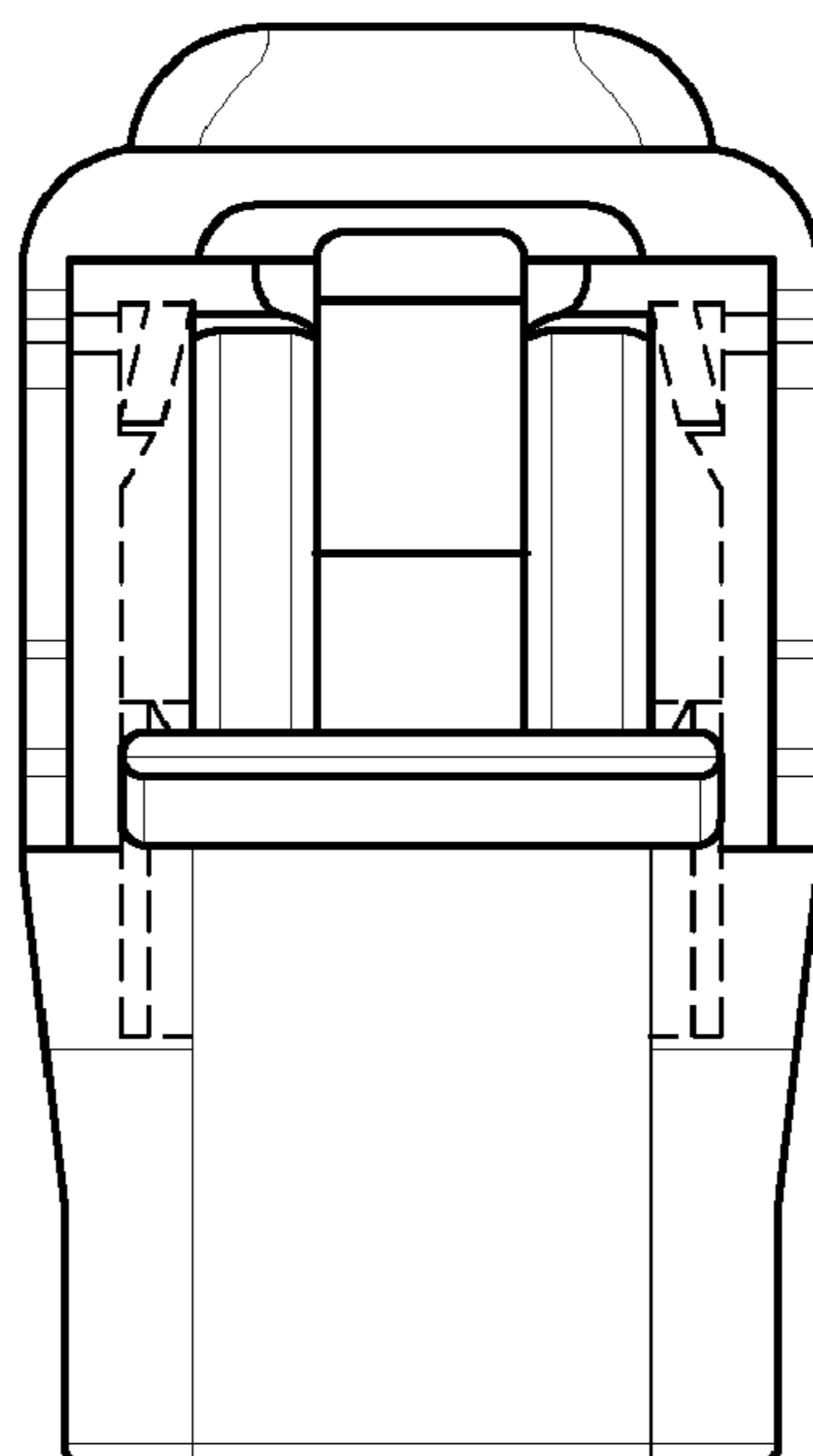


FIG. 7

