



US00D636867S

(12) **United States Design Patent**
Polidoro et al.

(10) **Patent No.:** **US D636,867 S**

(45) **Date of Patent:** **** Apr. 26, 2011**

(54) **DRY POWDER INHALER**

(75) Inventors: **John M. Polidoro**, Coventry, CT (US);
Benoit Adamo, Mount Kisco, NY (US);
Brendan Laurenzi, New Milford, CT
(US); **P. Spencer Kinsey**, Sandy Hook,
CT (US); **Chad C. Smutney**, Watertown,
CT (US)

(73) Assignee: **MannKind Corporation**, Valencia, CA
(US)

(**) Term: **14 Years**

(21) Appl. No.: **29/363,768**

(22) Filed: **Jun. 14, 2010**

(51) **LOC (9) Cl.** **24-01**

(52) **U.S. Cl.** **D24/110**

(58) **Field of Classification Search** D24/108-110.5,
D24/112-114; 128/200.14-200.23, 203.12-203.24
See application file for complete search history.

(56) **References Cited**

U.S. PATENT DOCUMENTS

| | | | |
|----------------|---------|--------------------------|------------|
| D276,654 S | 12/1984 | Snellman-Wasenius et al. | |
| D326,517 S | 5/1992 | Funai et al. | |
| D441,859 S * | 5/2001 | Pera | D24/110 |
| D463,544 S | 9/2002 | Engelbreth et al. | |
| 6,523,536 B2 * | 2/2003 | Fugelsang et al. | 128/200.14 |
| 6,698,422 B2 * | 3/2004 | Fugelsang et al. | 128/200.14 |
| 6,904,906 B2 * | 6/2005 | Salter et al. | 128/200.21 |
| D597,657 S | 8/2009 | Kinsey et al. | |

| | | | |
|--------------|---------|----------------|---------|
| D604,833 S | 11/2009 | Polidoro | |
| D605,752 S * | 12/2009 | Polidoro | D24/110 |
| D614,760 S * | 4/2010 | Smutney et al. | D24/110 |

* cited by examiner

Primary Examiner — Ian Simmons

Assistant Examiner — Charles D Hanson

(74) *Attorney, Agent, or Firm* — K&L Gates LLP; Louis C. Cullman; Brian J. Novak

(57) **CLAIM**

The ornamental design for a dry powder inhaler, as shown and described.

DESCRIPTION

FIG. 1 is a perspective view of our new dry powder inhaler design.

FIG. 2 is a top view of the dry powder inhaler shown in FIG. 1.

FIG. 3 is a bottom view of the dry powder inhaler shown in FIG. 1.

FIG. 4 is a side view of the dry powder inhaler shown in FIG. 1.

FIG. 5 is a front view of the dry powder inhaler shown in FIG. 1.

FIG. 6 is a back view of the dry powder inhaler shown in FIG. 1; and,

FIG. 7 is a second perspective view of the dry powder inhaler shown in FIG. 1.

The broken line showing of is included for the purpose of illustrating environment and forms no part of the claimed design.

1 Claim, 4 Drawing Sheets

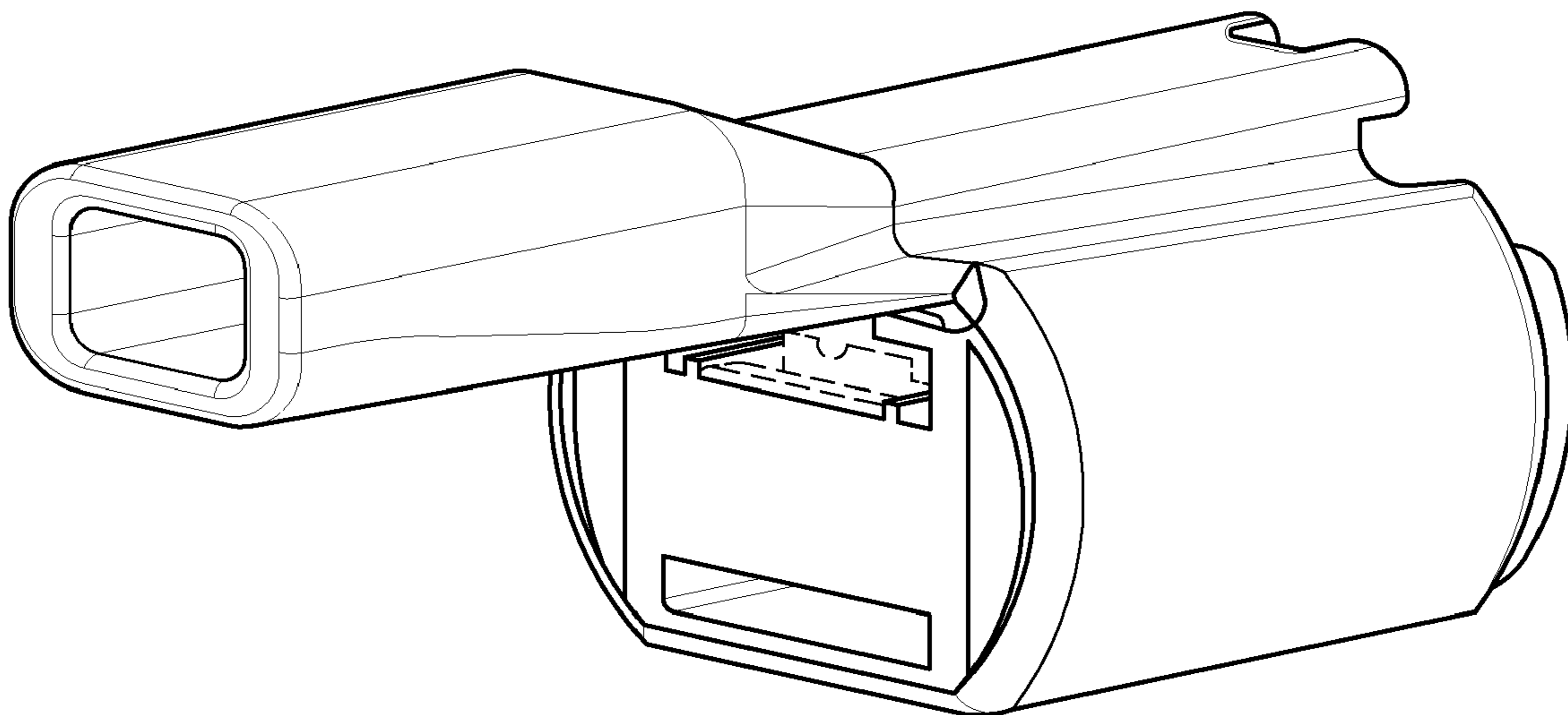


FIG. 1

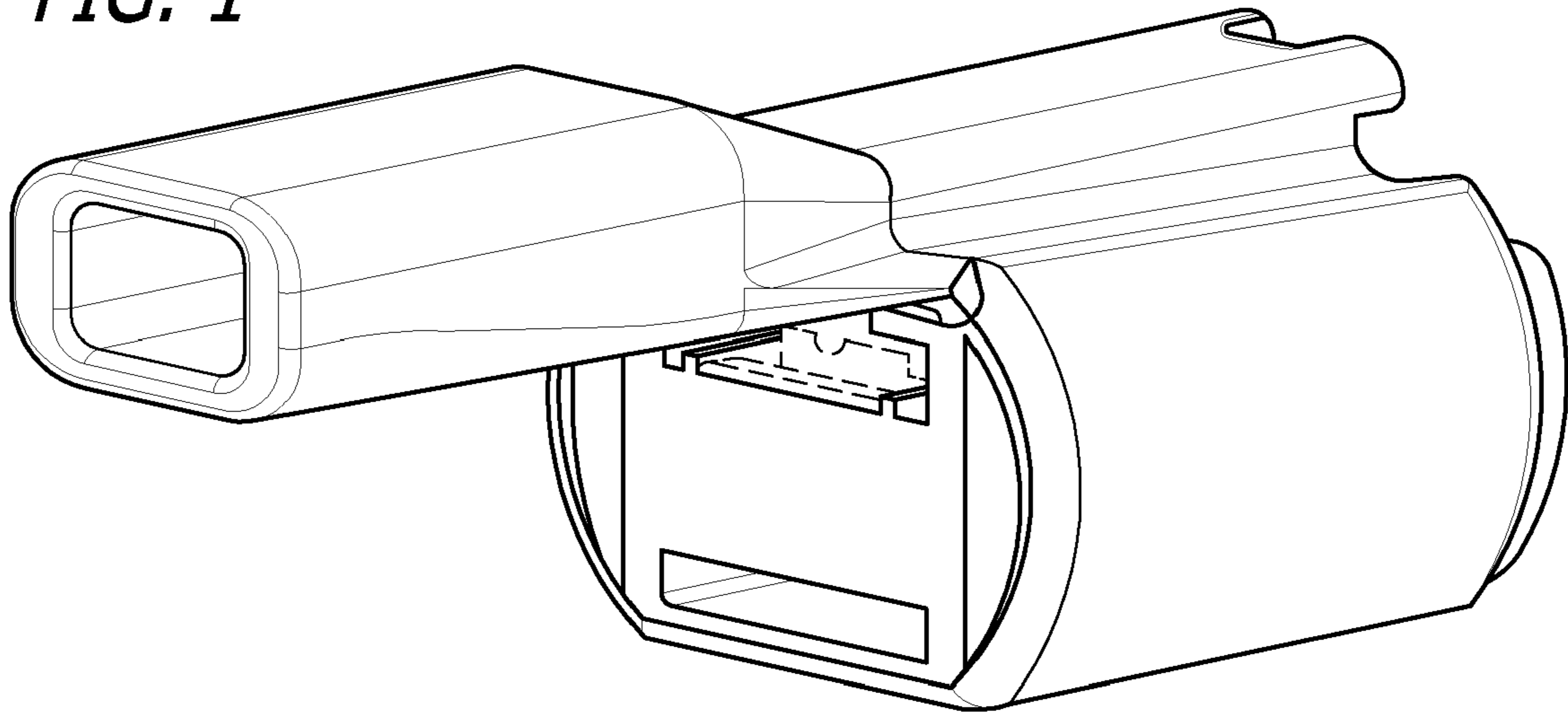


FIG. 2

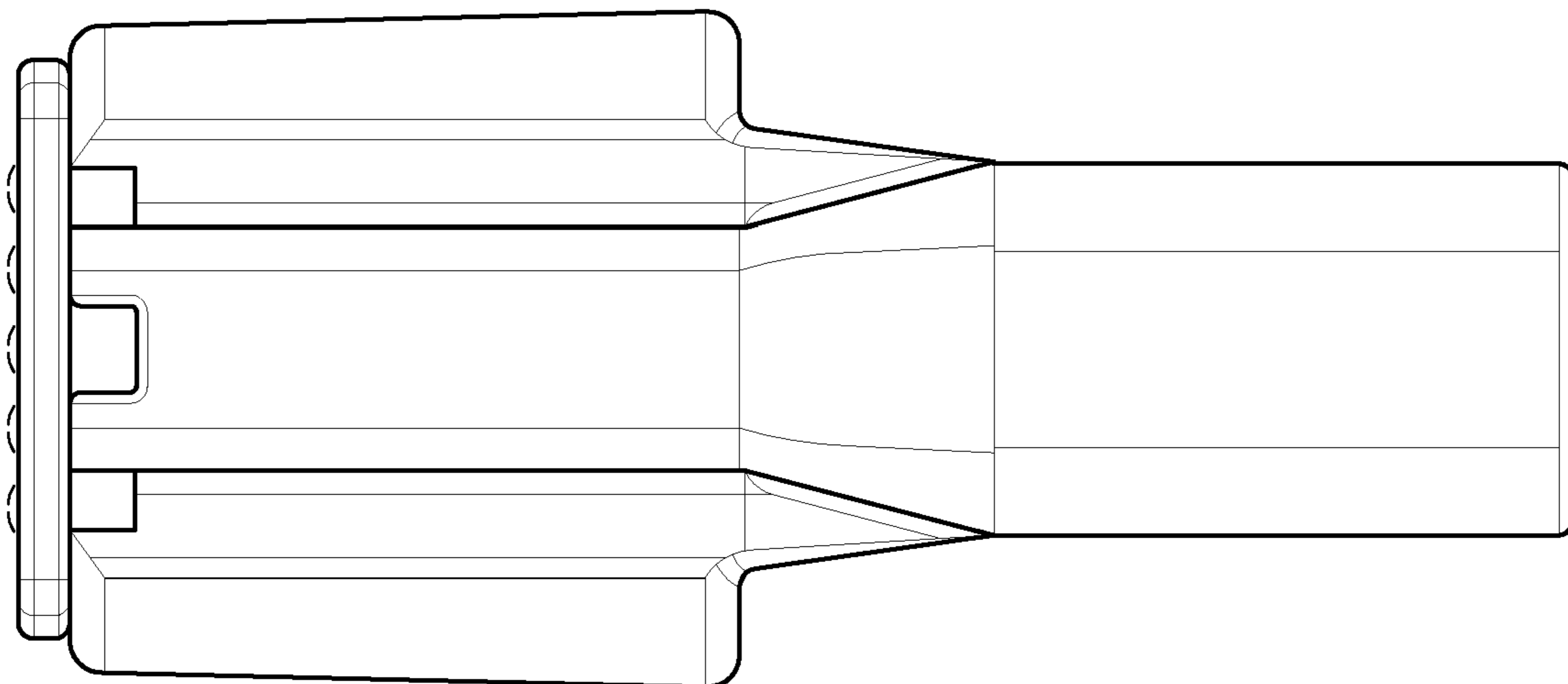


FIG. 3

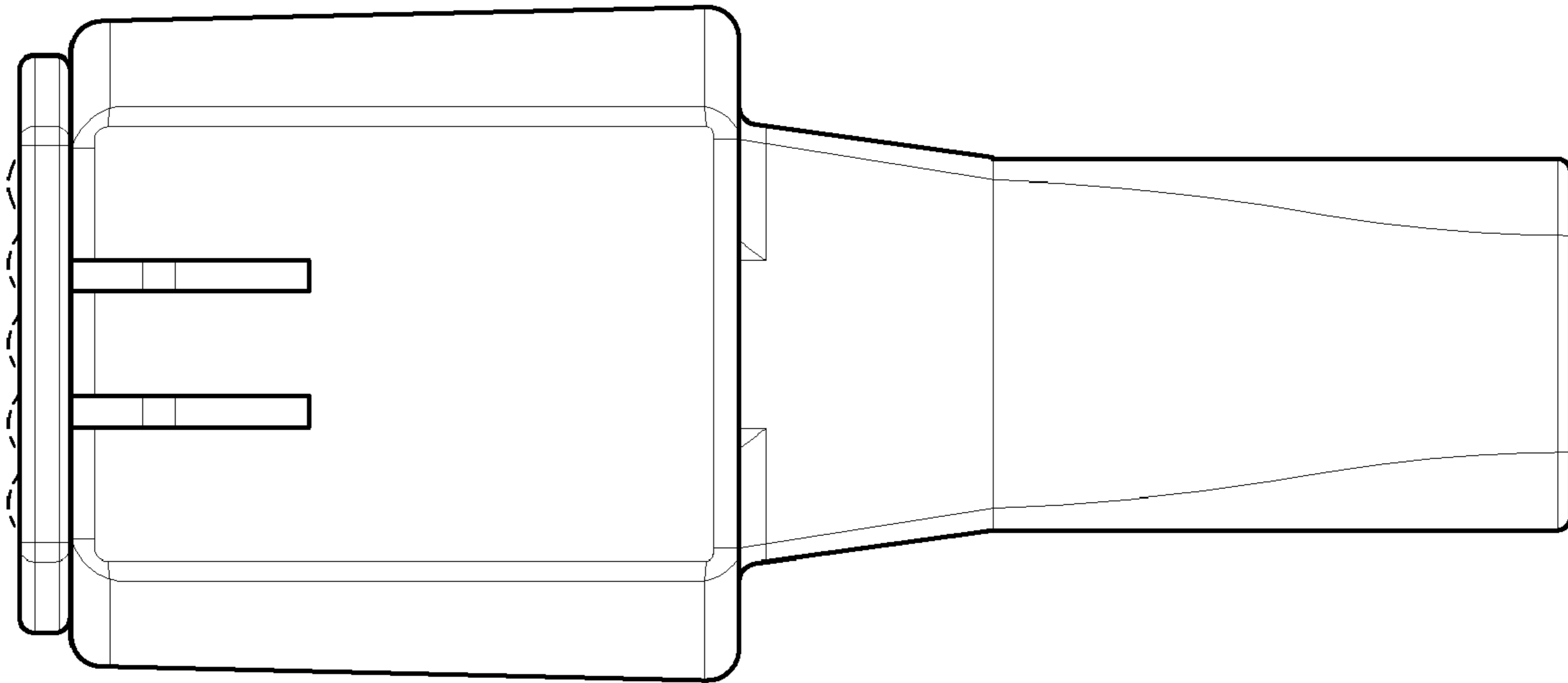


FIG. 4

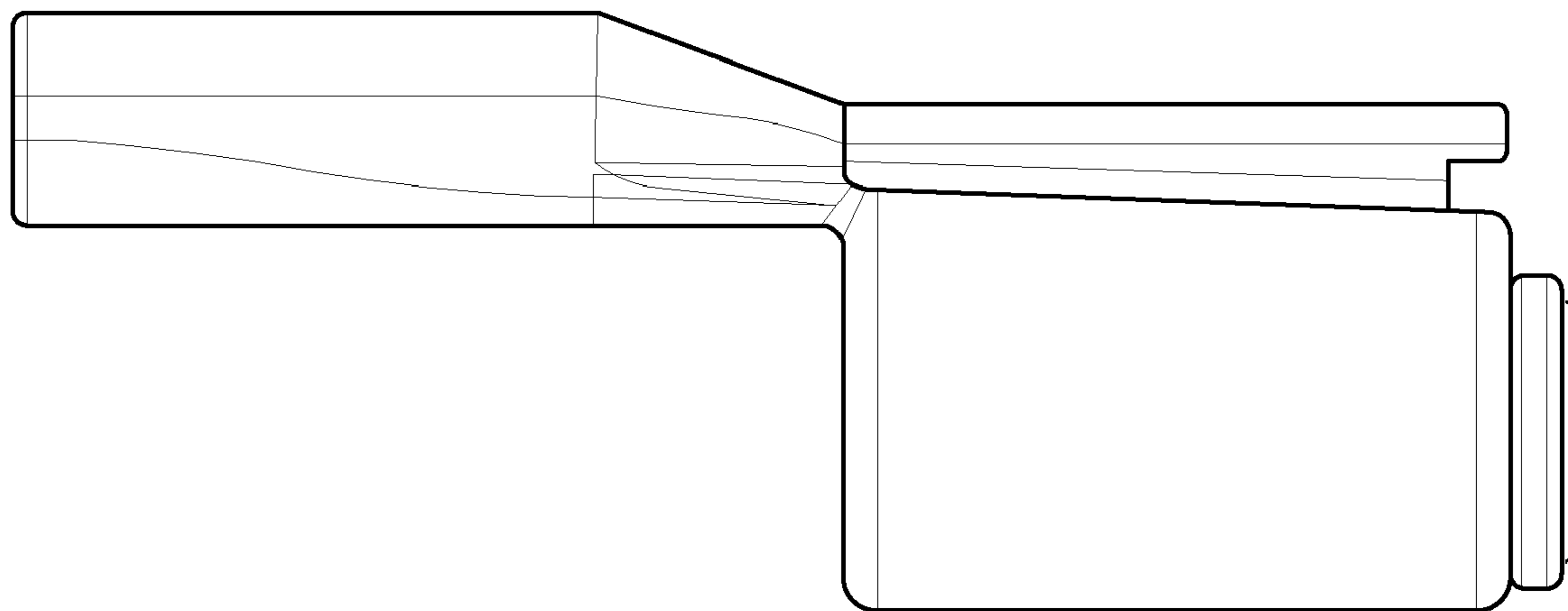


FIG. 5

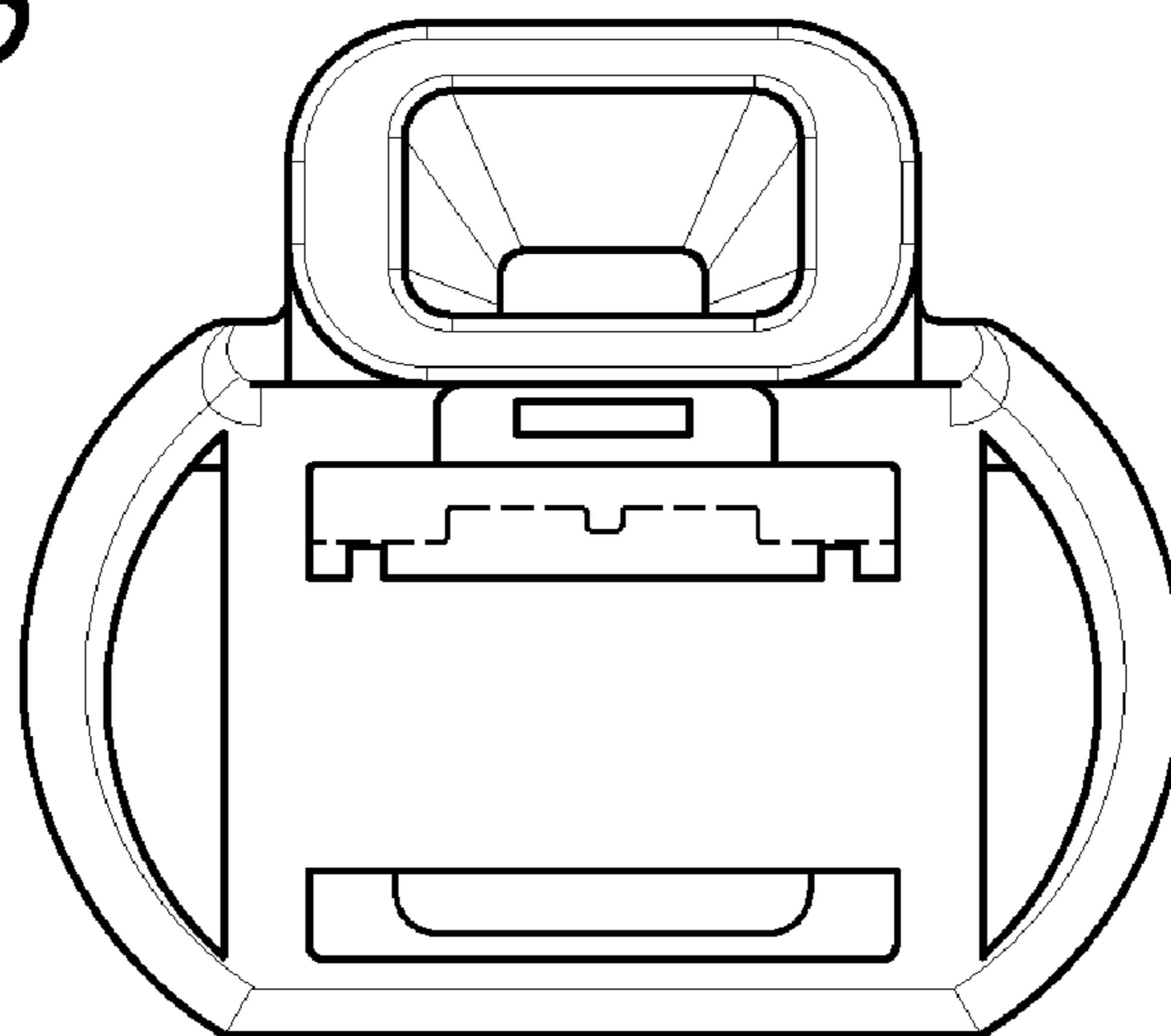


FIG. 6

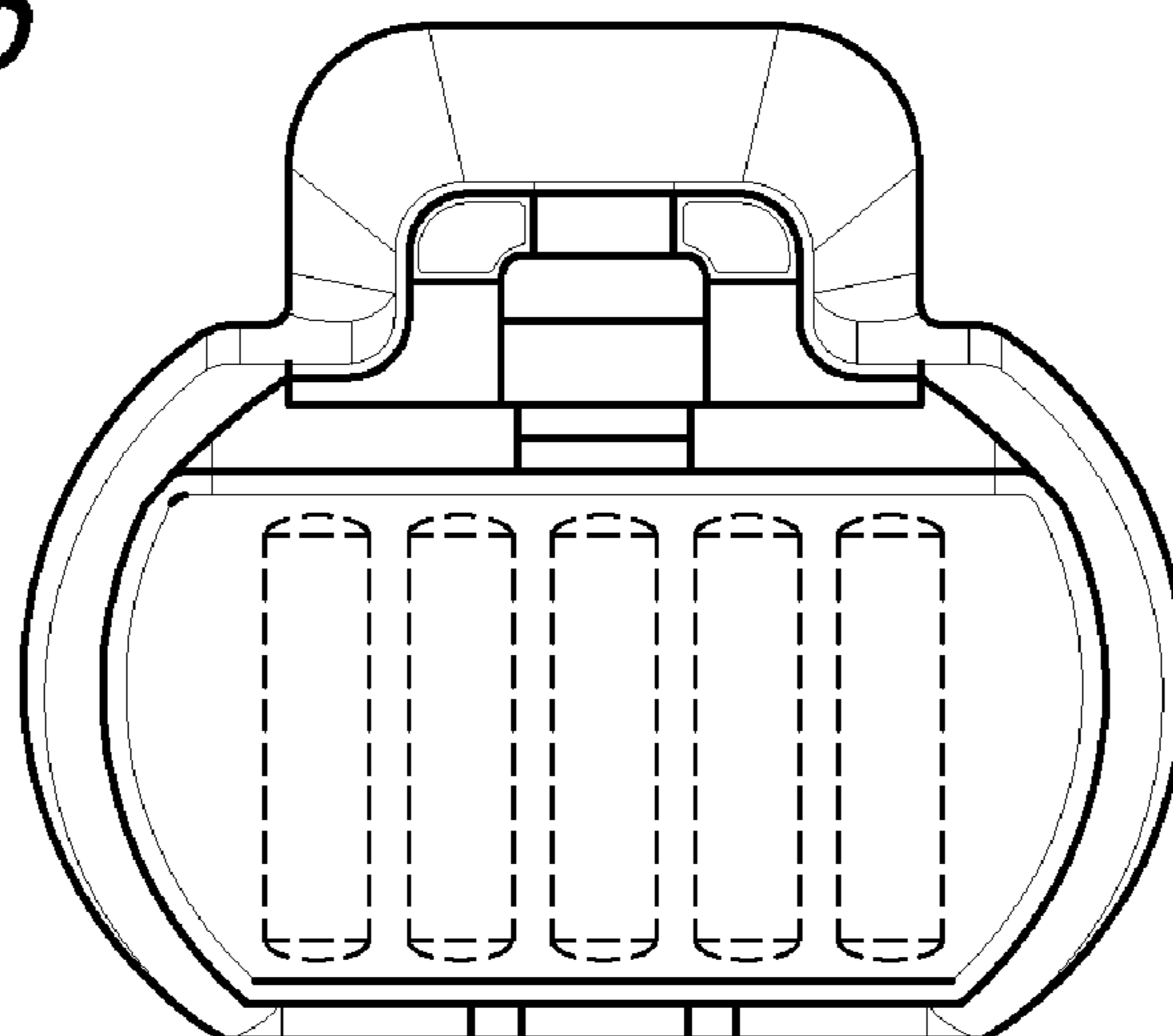


FIG. 7

