



US00D636866S

(12) **United States Design Patent**
Kopp et al.

(10) **Patent No.:** **US D636,866 S**
(45) **Date of Patent:** **** Apr. 26, 2011**

(54) **SCENT STICK**

(75) Inventors: **Ulrich Kopp**, Neuried (DE); **Markus Vogtmann**, Neuried (DE)

(73) Assignee: **E.V.I. Cosmetics GmbH**, Neuried (DE)

(**) Term: **14 Years**

(21) Appl. No.: **29/358,538**

(22) Filed: **Mar. 29, 2010**

(30) **Foreign Application Priority Data**

Sep. 29, 2009 (EM) 001617275-0012

(51) **LOC (9) Cl.** **24-01**

(52) **U.S. Cl.** **D24/110**

(58) **Field of Classification Search** D24/108-110.5,
D24/112-114; 128/200.14-200.23, 203.12-203.24;
222/162, 402.2, 36, 23
See application file for complete search history.

(56) **References Cited**

U.S. PATENT DOCUMENTS

2,966,909 A * 1/1961 Halperin 128/203.21
3,209,751 A * 10/1965 Wakeman 128/200.23

D220,805 S * 5/1971 Ryden D24/110
D274,471 S * 6/1984 Widmer D24/110
D350,193 S * 8/1994 Huck et al. D24/110
D359,555 S * 6/1995 Funai et al. D24/110
D447,230 S * 8/2001 Matsugi et al. D24/110
D448,076 S * 9/2001 von Schuckmann D24/110

* cited by examiner

Primary Examiner — Ian Simmons

Assistant Examiner — Charles D Hanson

(74) *Attorney, Agent, or Firm* — Baker & Hostetler LLP

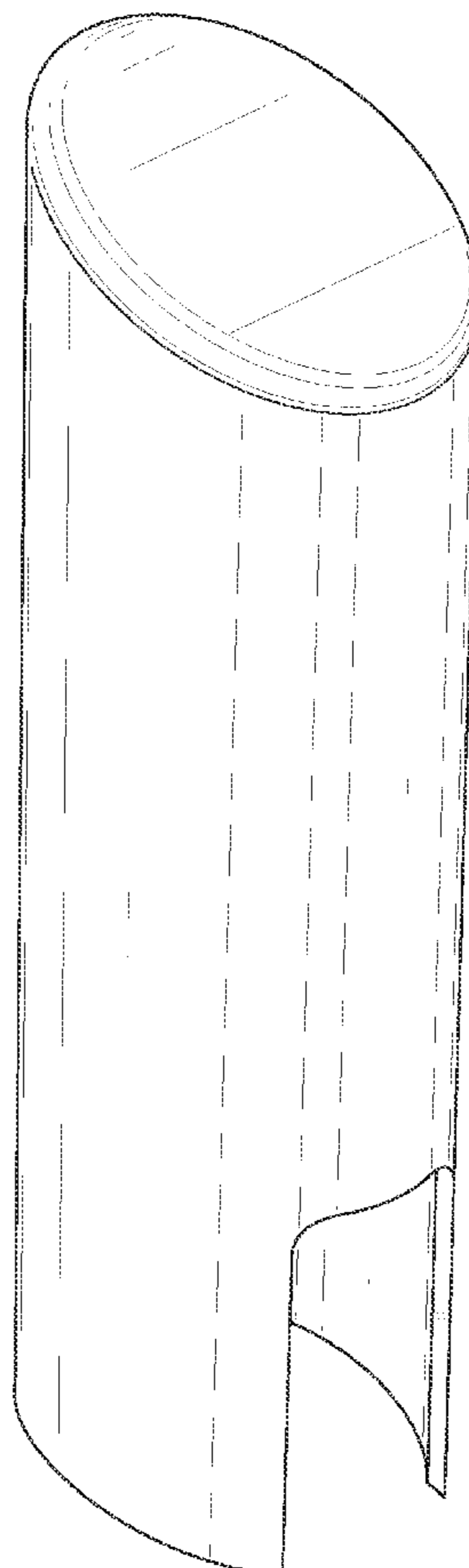
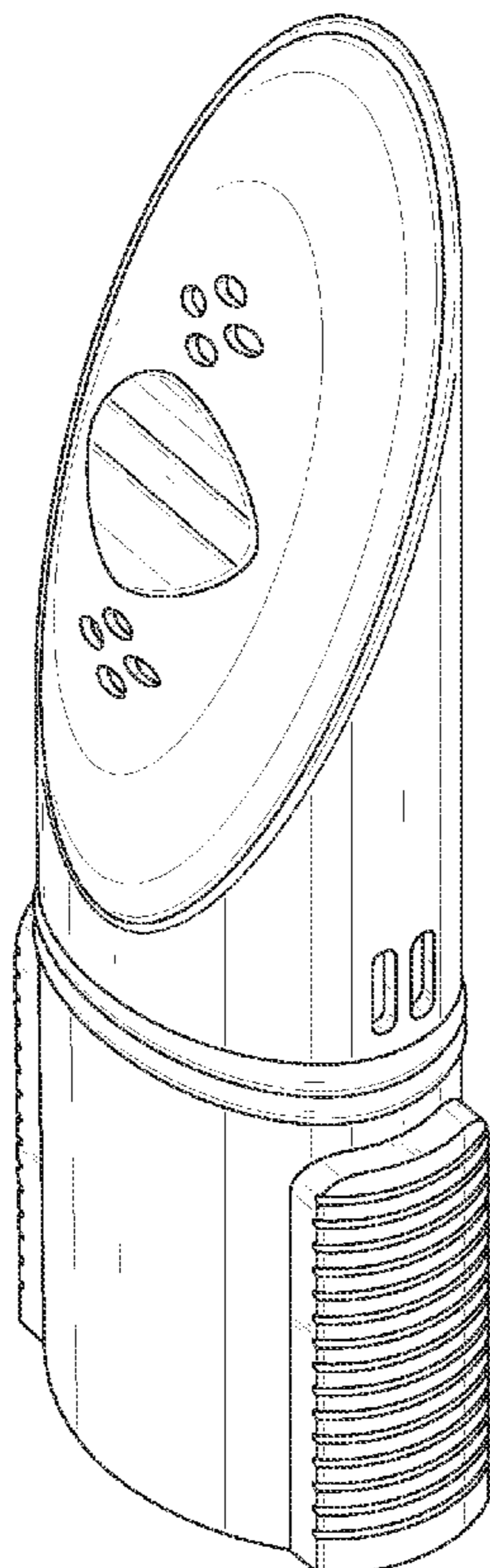
(57) **CLAIM**

The ornamental design for a scent stick, as shown and described.

DESCRIPTION

FIG. 1 is a perspective view of a scent stick with the cover removed, showing our new design;
FIG. 2 is a perspective view thereof with the cover attached;
FIG. 3 is a front view thereof with the cover removed;
FIG. 4 is a rear view thereof with the cover removed;
FIG. 5 is a right side view thereof with the cover removed;
FIG. 6 is a left side view thereof with the cover removed;
FIG. 7 is a top view thereof with the cover removed; and,
FIG. 8 is a bottom view thereof with the cover removed.

1 Claim, 7 Drawing Sheets



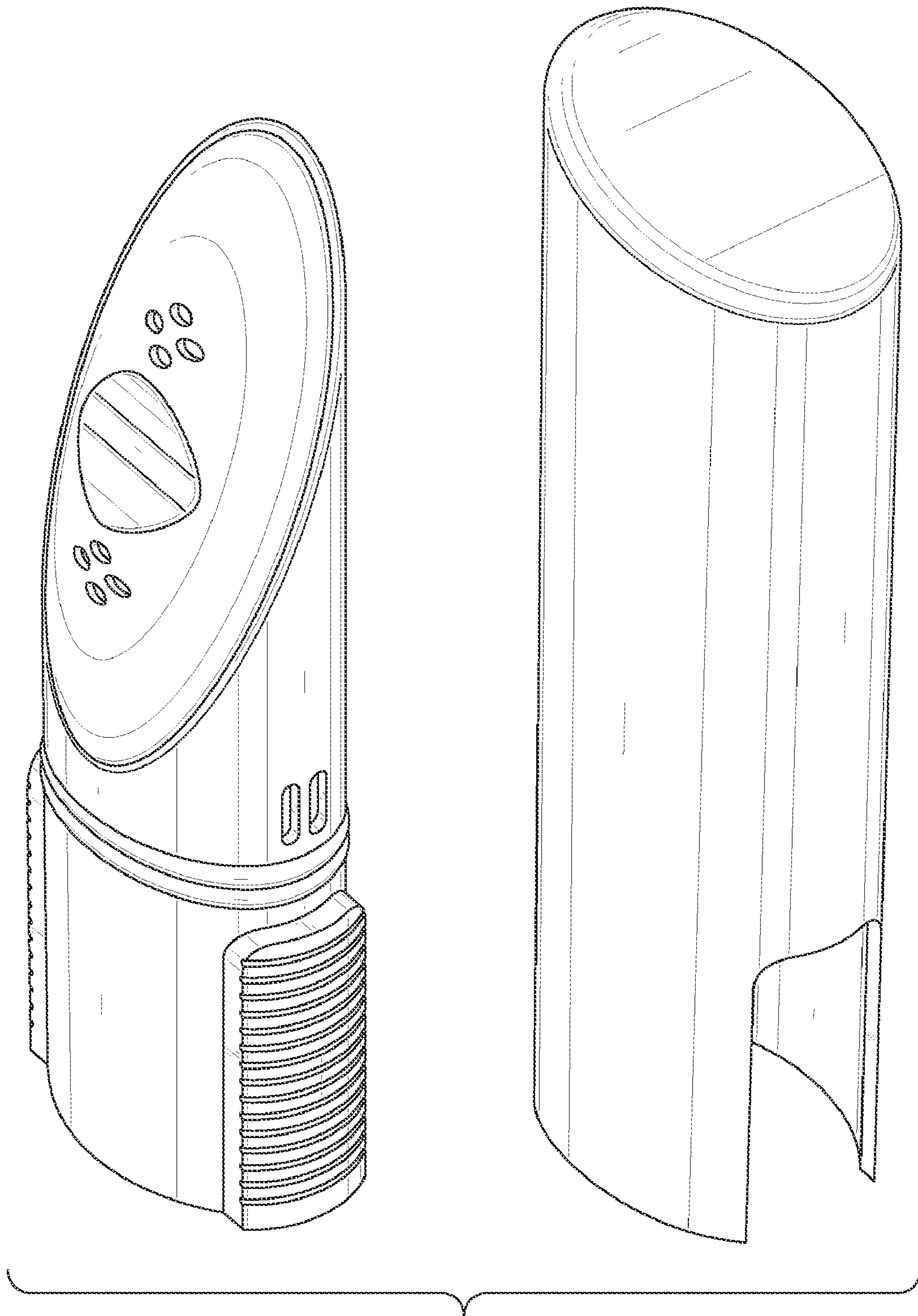


FIG. 1

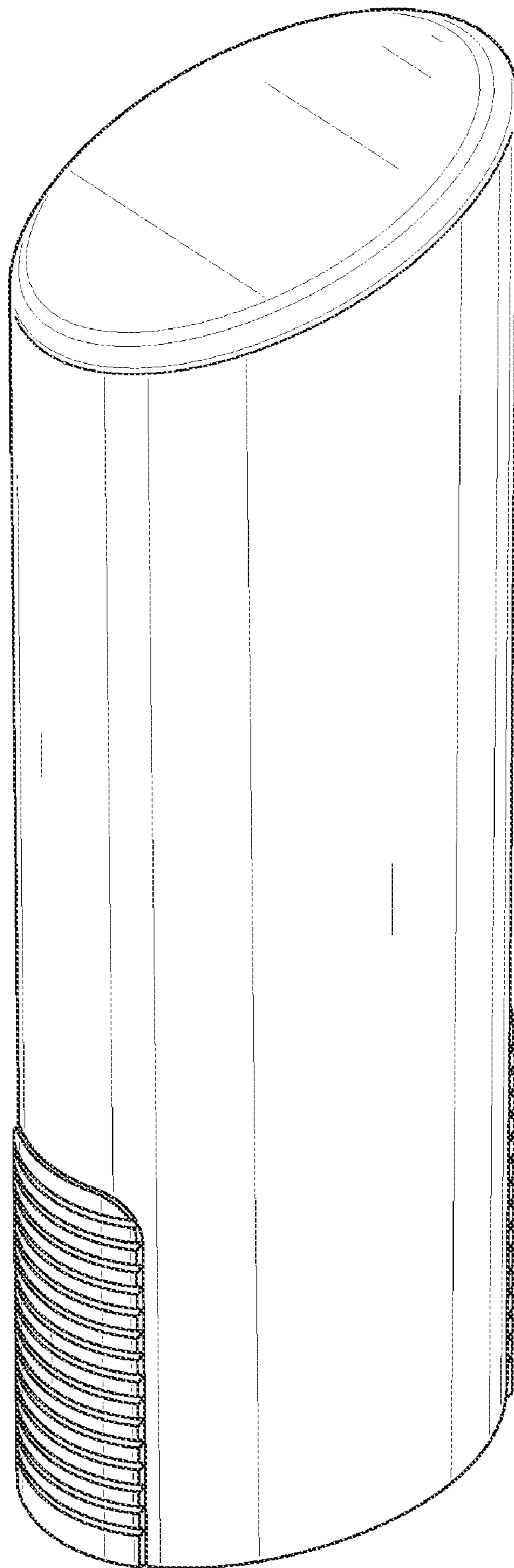


FIG. 2

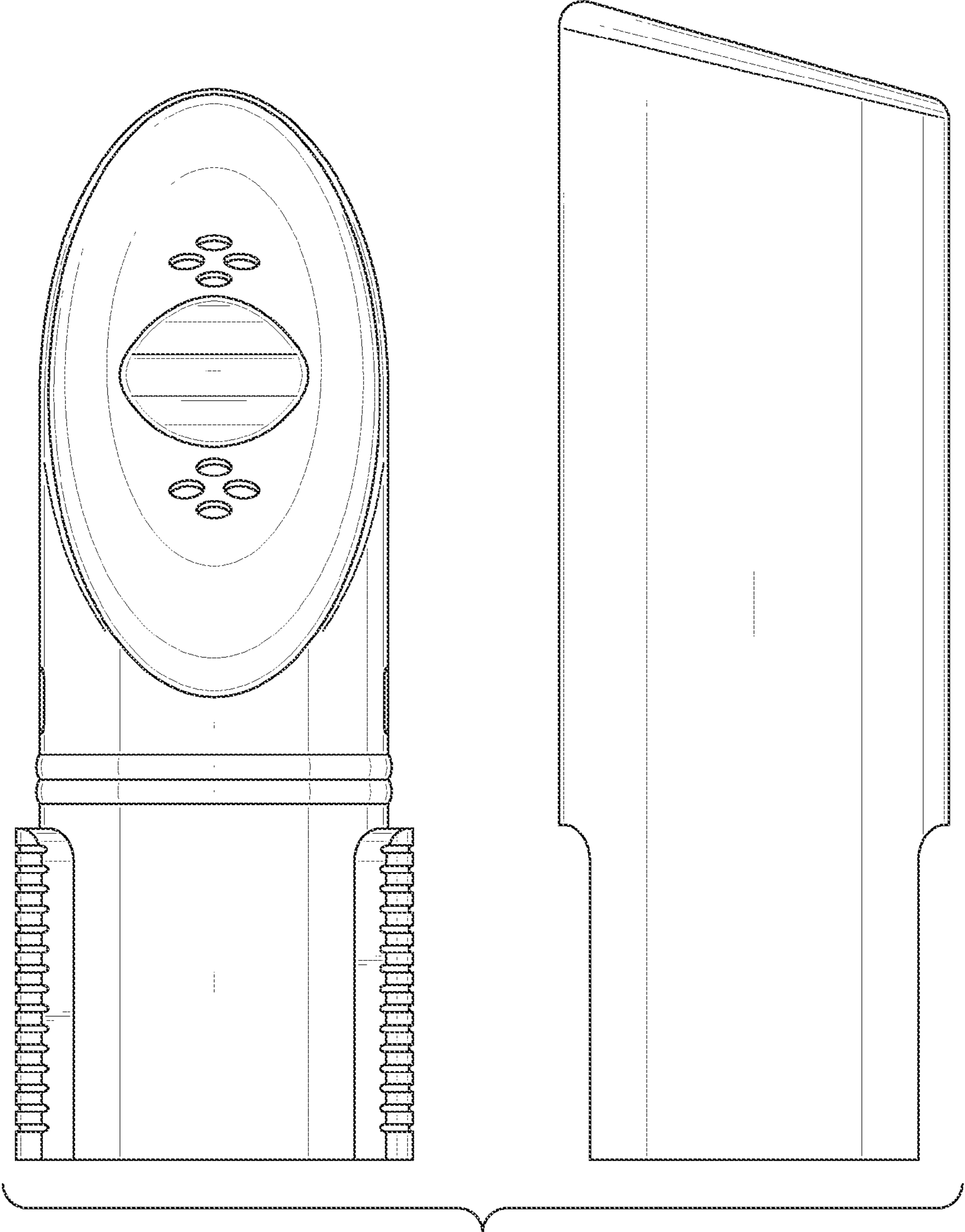


FIG. 3

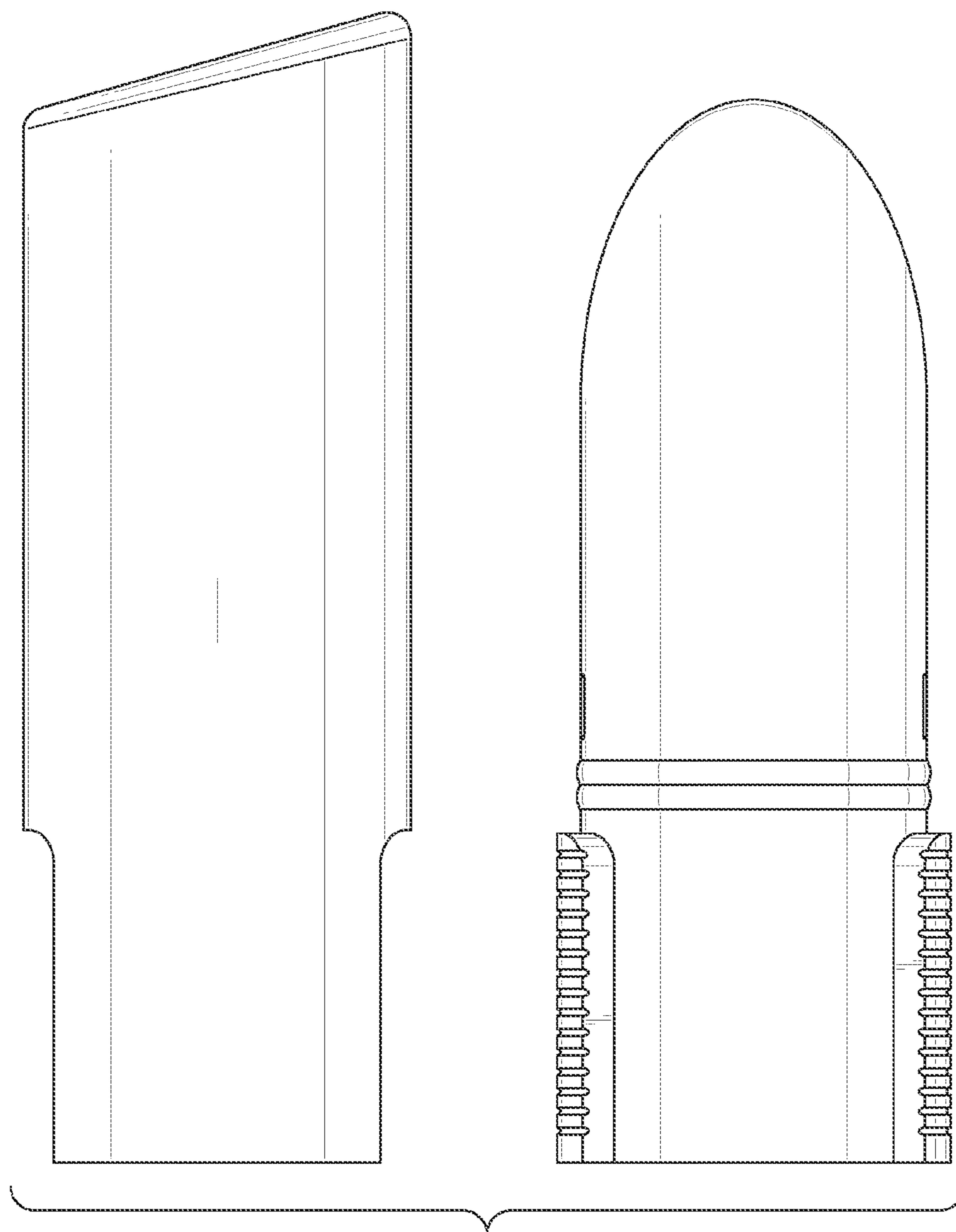


FIG. 4

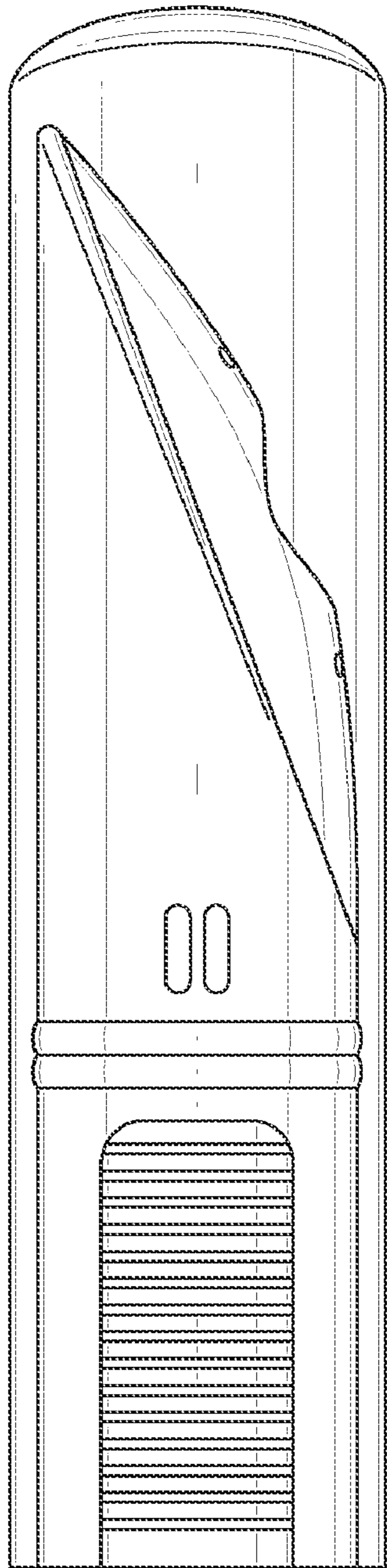


FIG. 5

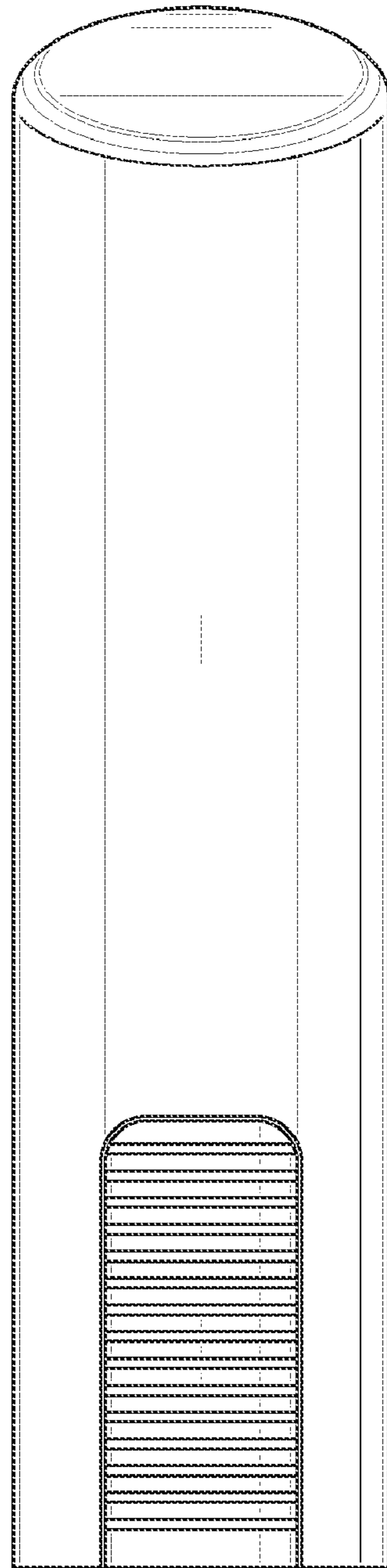


FIG. 6

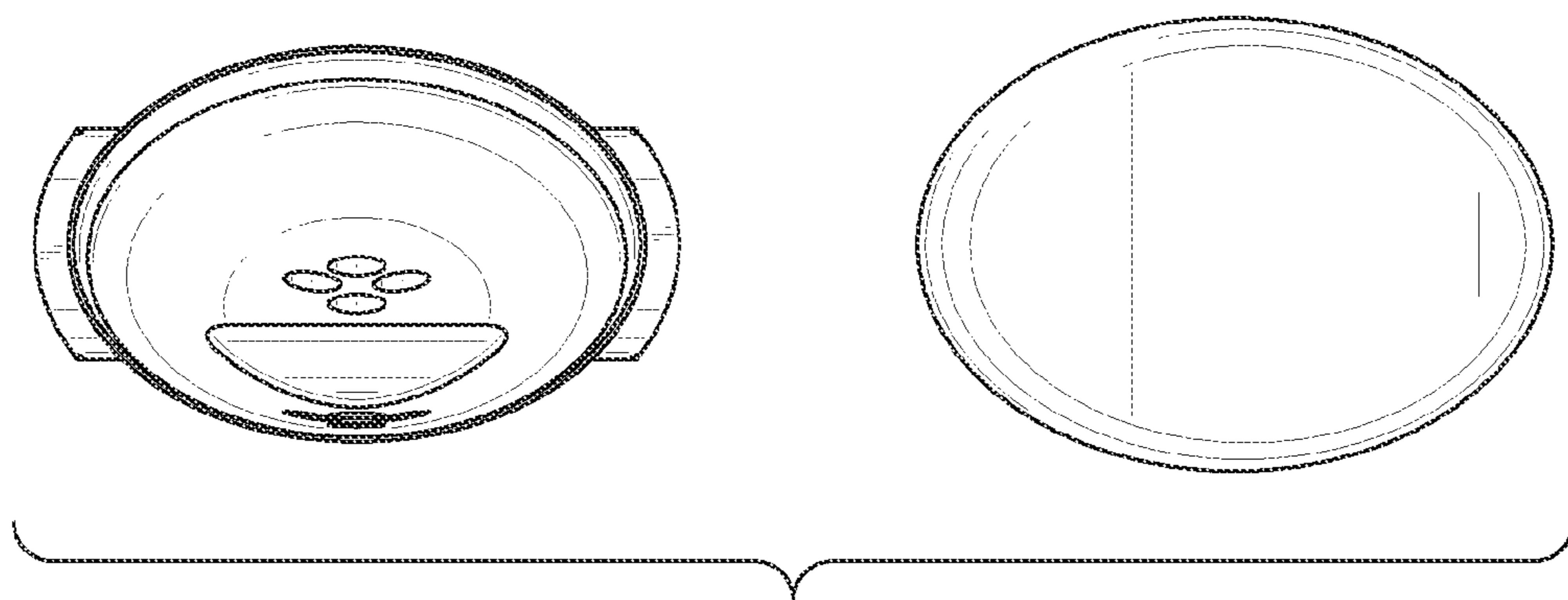


FIG. 7

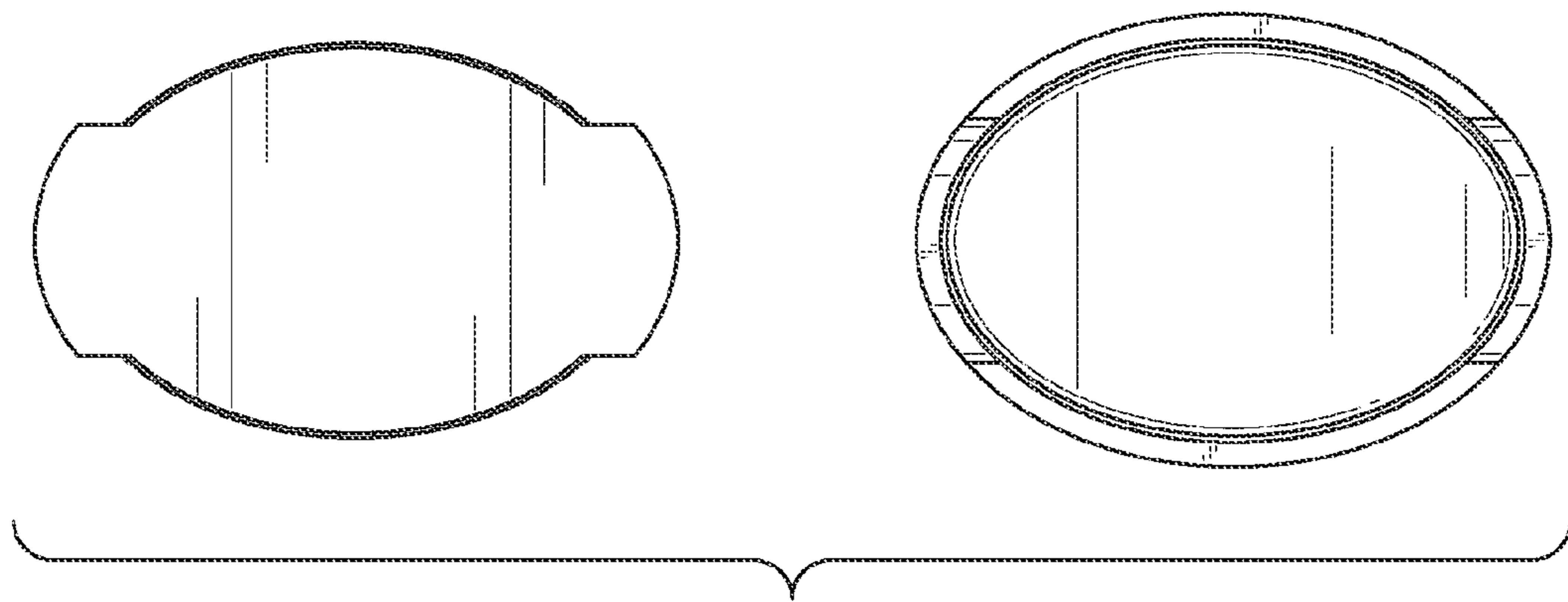


FIG. 8