



US00D636863S

(12) **United States Design Patent**
Isoda et al.

(10) **Patent No.:** **US D636,863 S**

(45) **Date of Patent:** **** Apr. 26, 2011**

(54) **ELECTRIC FAN**

D404,122 S * 1/1999 Hayashi et al. D23/370
D483,106 S * 12/2003 Harris et al. D23/378

(75) Inventors: **Mineaki Isoda**, Osaka (JP); **Koji Kuyama**, Hyogo (JP); **Yasushi Kamada**, Kyoto (JP); **Masahito Hidaka**, Osaka (JP); **Kinjirou Okinaga**, Osaka (JP)

FOREIGN PATENT DOCUMENTS

JP D818550 9/1991
JP D1180614 7/2003

* cited by examiner

(73) Assignee: **Panasonic Corporation**, Osaka (JP)

Primary Examiner — Lisa P Lichtenstein

(**) Term: **14 Years**

(74) *Attorney, Agent, or Firm* — Brinks Hofer Gilson & Lione

(21) Appl. No.: **29/368,262**

(22) Filed: **Aug. 20, 2010**

(57) **CLAIM**

We claim the ornamental design for an electric fan, as shown and described.

(30) **Foreign Application Priority Data**

Mar. 11, 2010 (JP) 2010-005953

DESCRIPTION

(51) **LOC (9) Cl.** **23-04**

(52) **U.S. Cl.** **D23/370**

(58) **Field of Classification Search** D23/370,
D23/371, 385; 454/354, 349; 416/247 R
See application file for complete search history.

FIG. 1 is a front perspective view of an electric fan of the present invention;

FIG. 2 is a rear perspective view thereof;

FIG. 3 is a front view thereof;

FIG. 4 is a rear view thereof;

FIG. 5 is a first side view thereof;

FIG. 6 is a second side view thereof;

FIG. 7 is a top view thereof; and,

FIG. 8 is a bottom view thereof.

(56) **References Cited**

U.S. PATENT DOCUMENTS

D133,291 S * 8/1942 Powers D23/370
D266,786 S * 11/1982 Schmidt D23/370

1 Claim, 8 Drawing Sheets

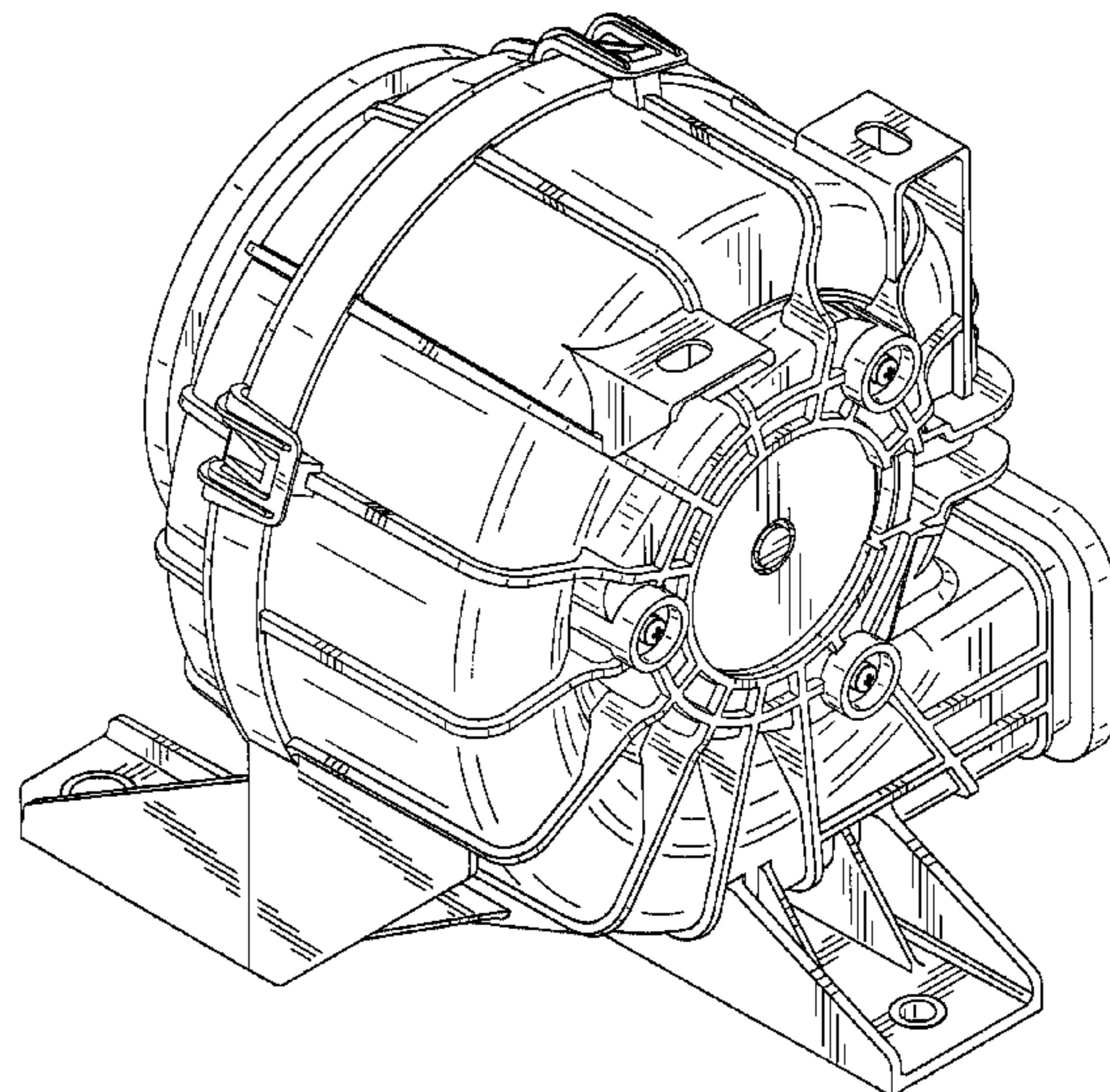
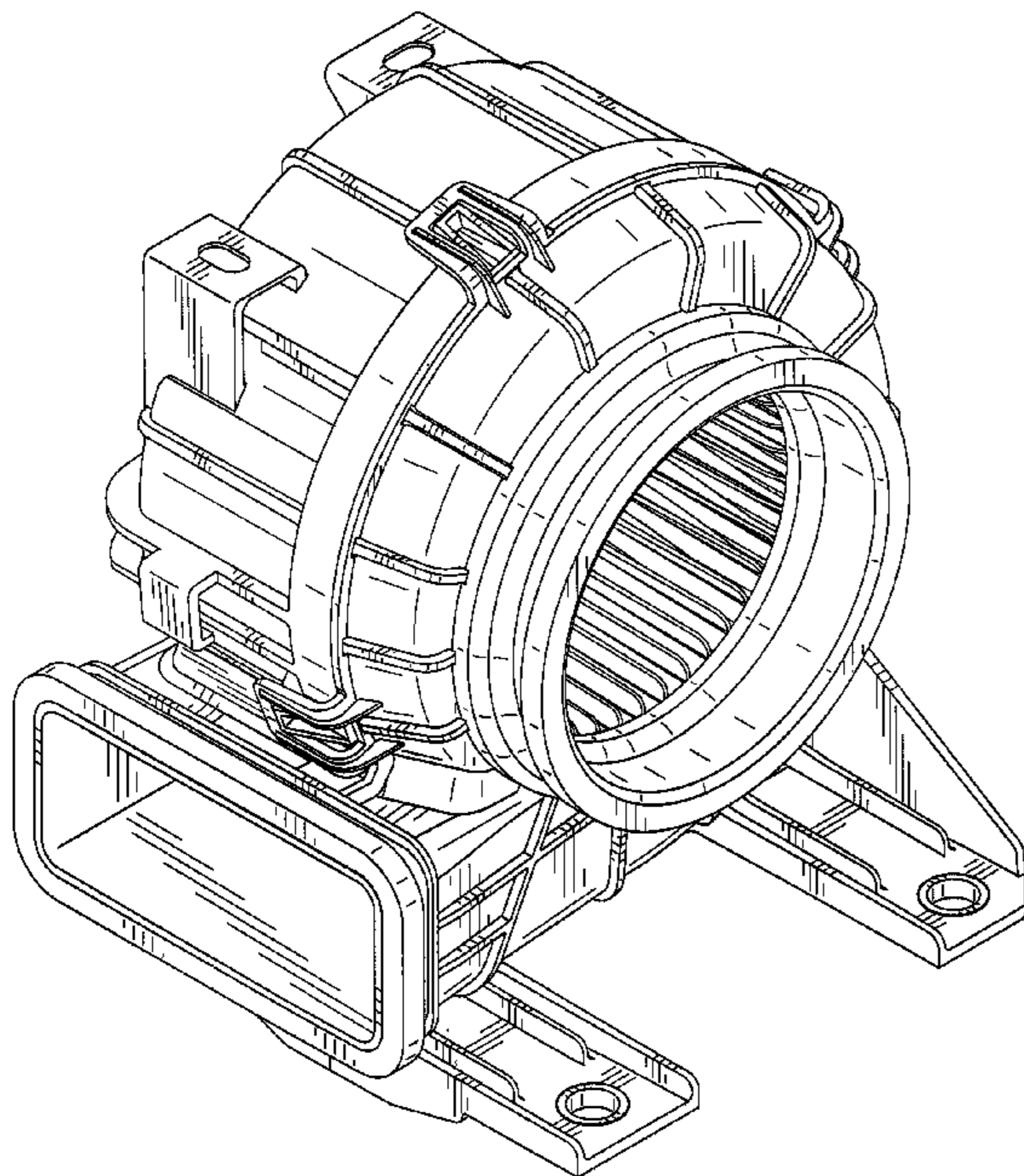


FIG.1

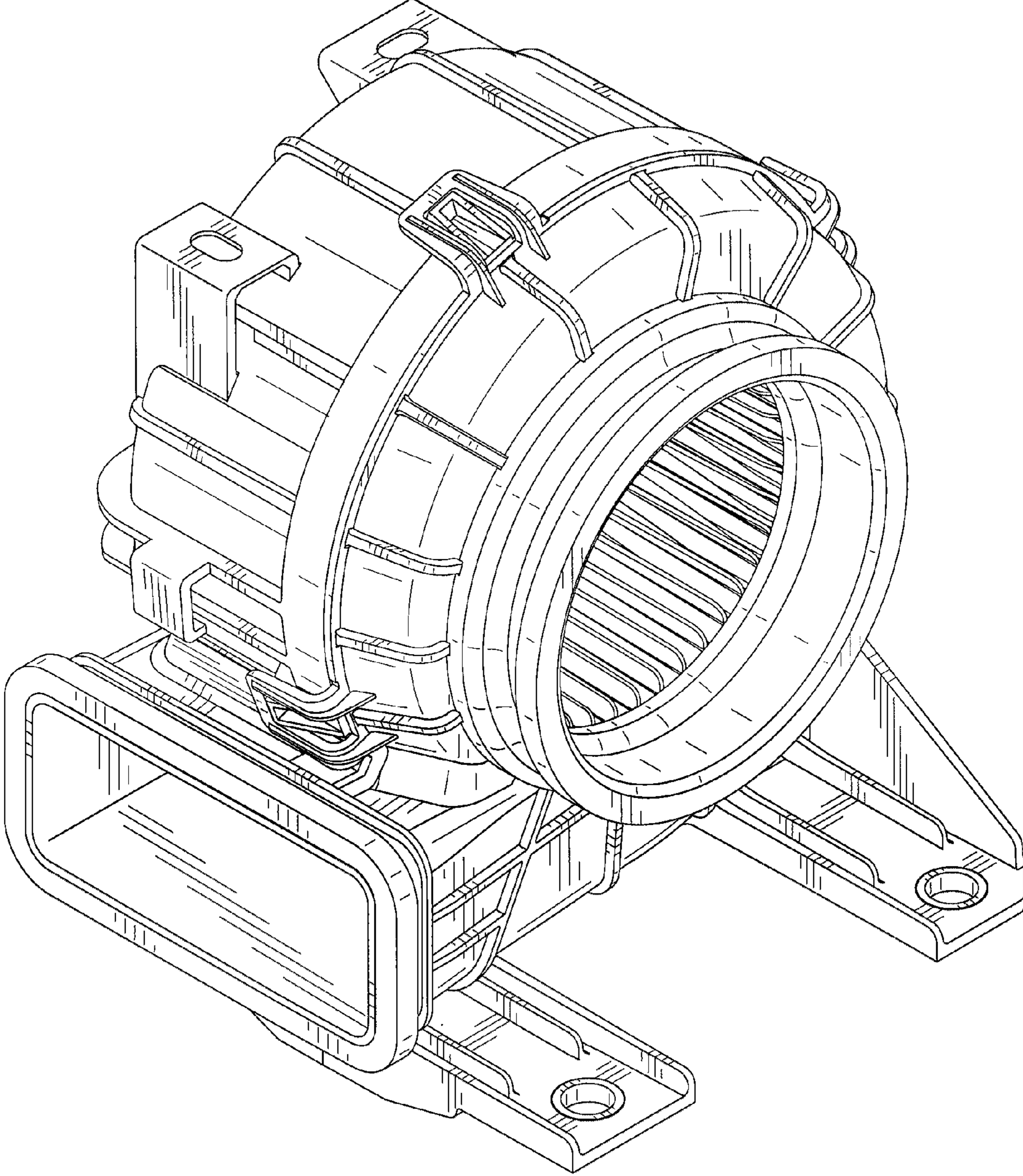


FIG.2

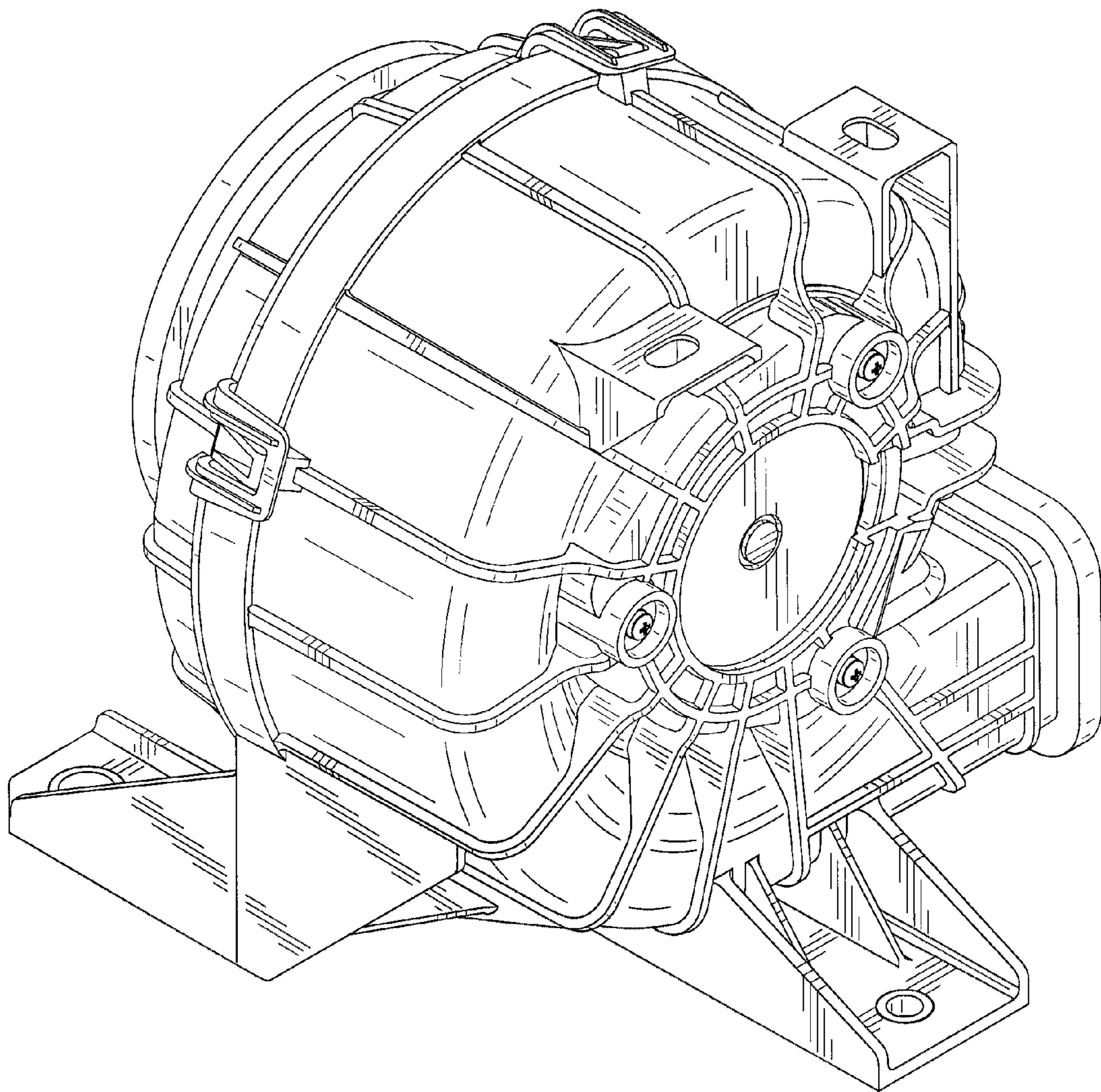


FIG.3

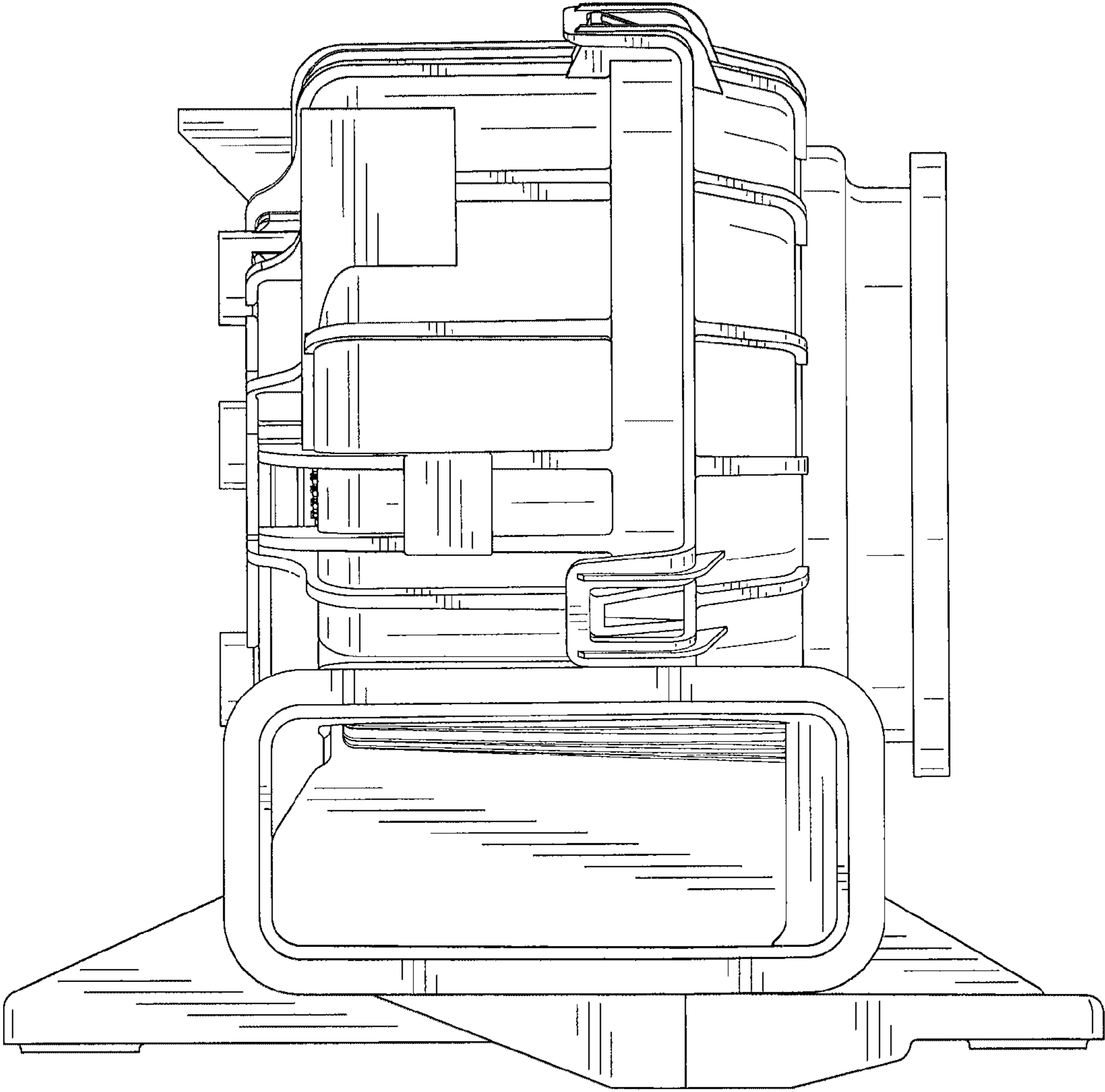


FIG.4

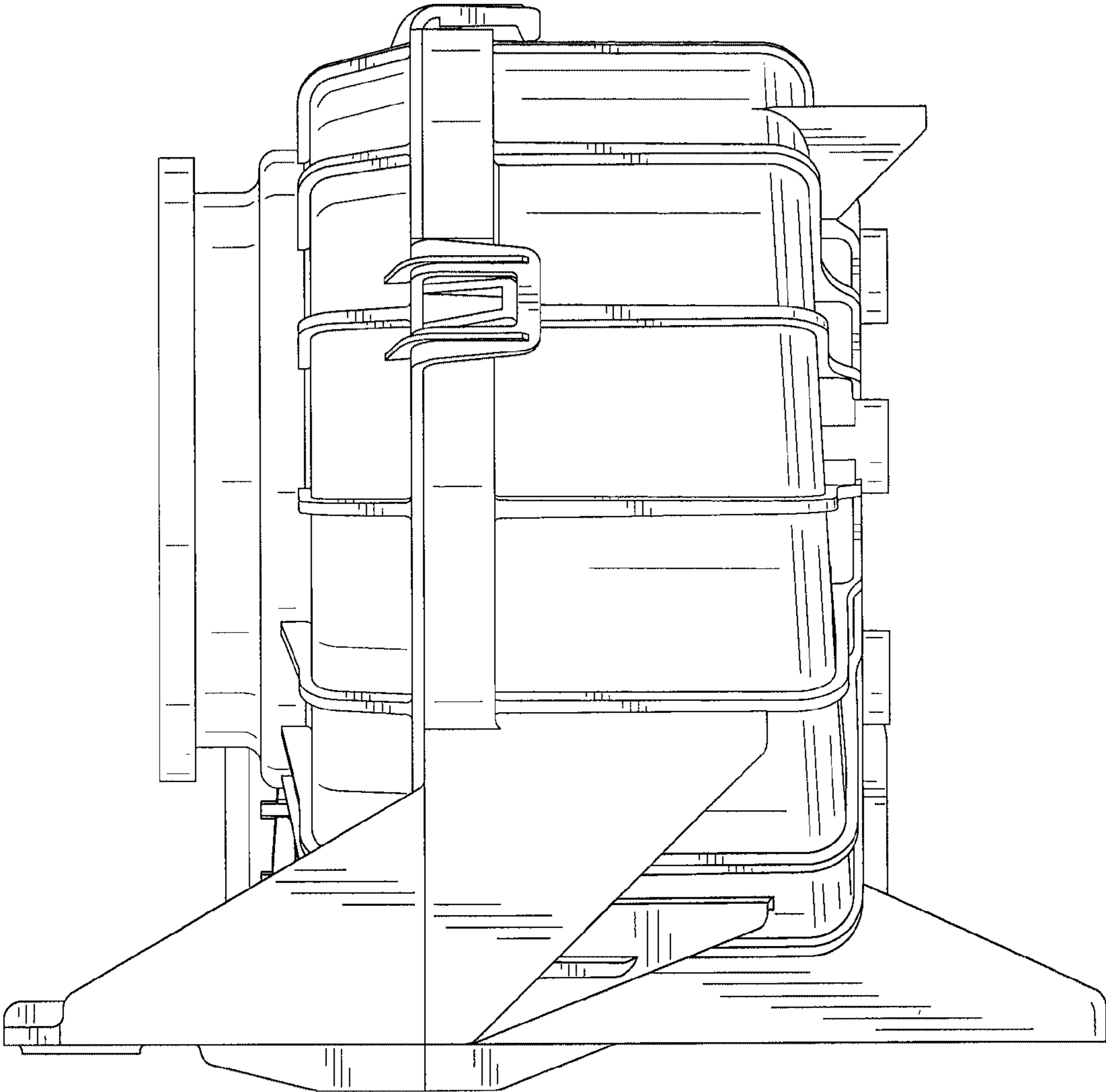


FIG.5

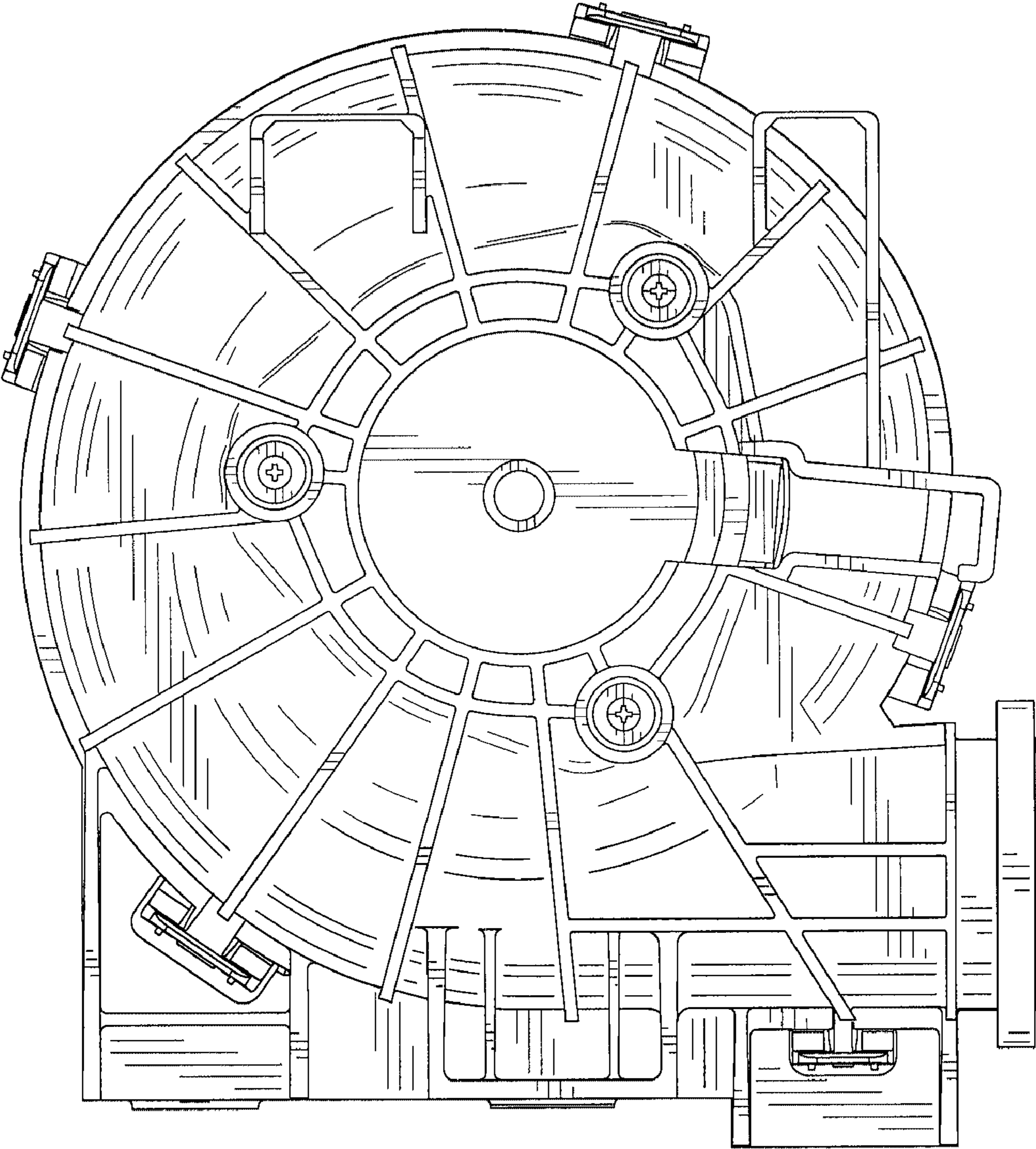


FIG.6

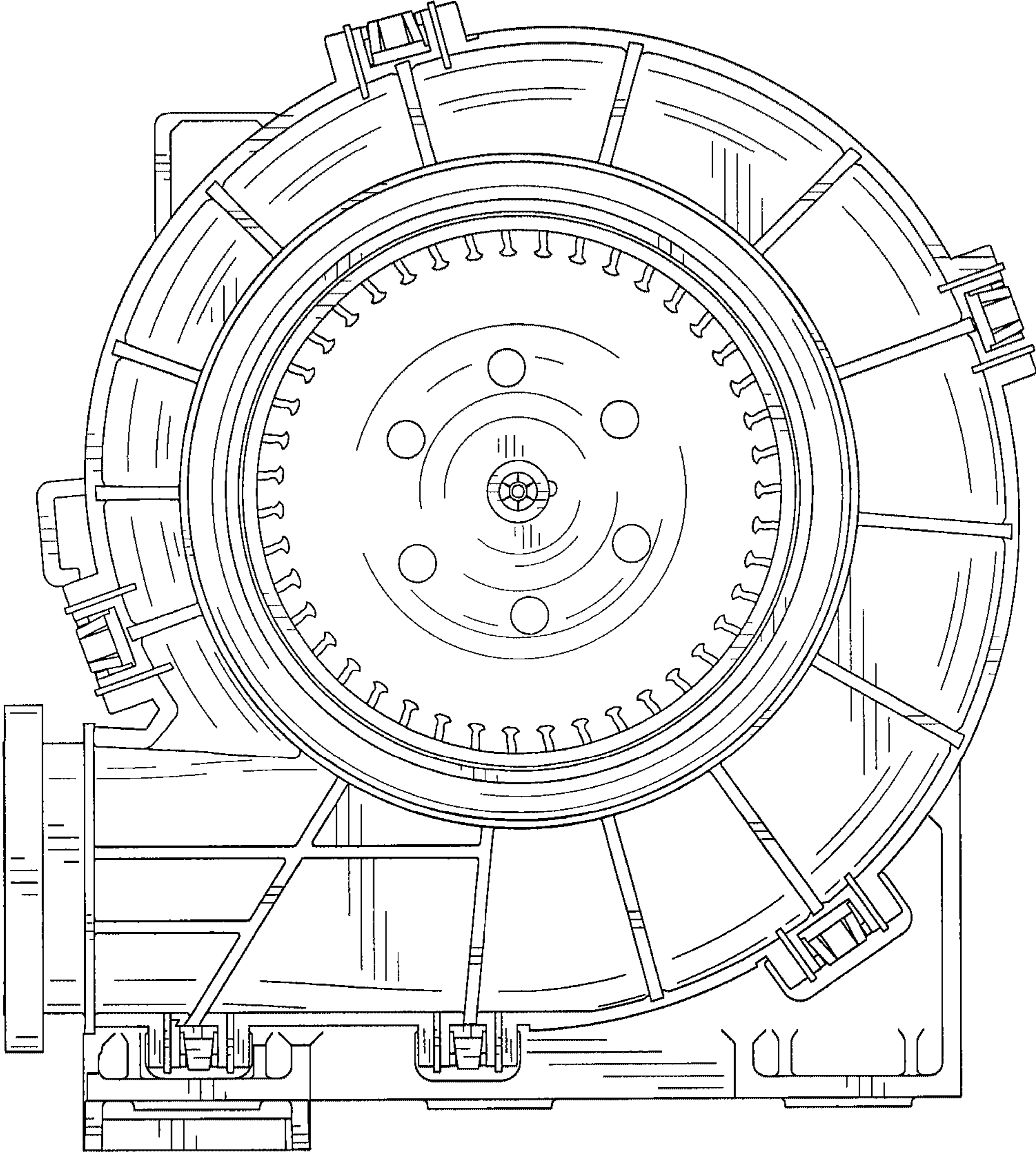


FIG.7

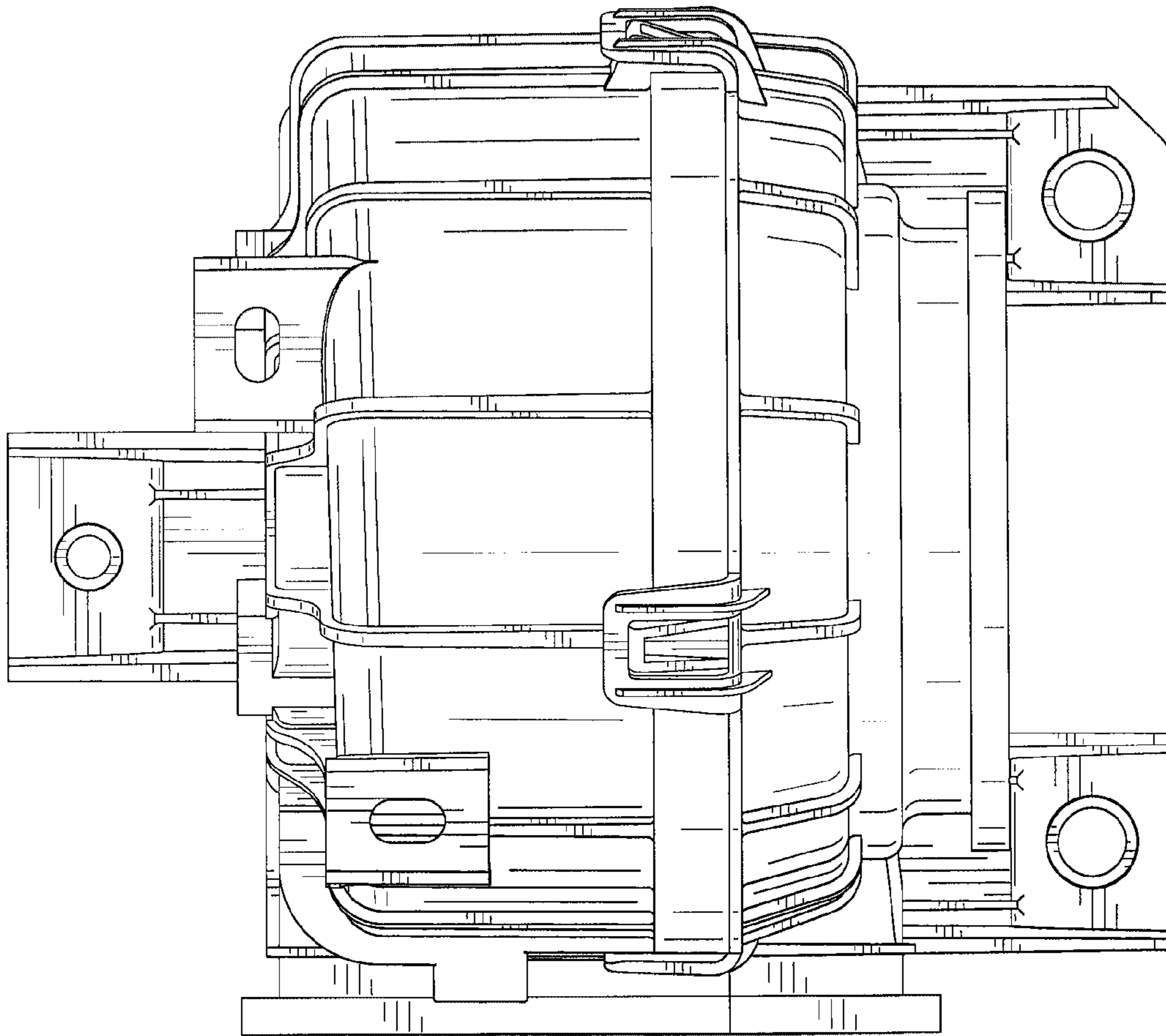


FIG.8

