



US00D636862S

(12) **United States Design Patent**  
**McElveen et al.**

(10) **Patent No.:** **US D636,862 S**

(45) **Date of Patent:** **\*\* Apr. 26, 2011**

- (54) **COOLING TOWER FAN MOTOR**
- (75) Inventors: **Robert McElveen**, Anderson, SC (US);  
**William E. Martin**, Greenville, SC  
(US); **Stephen T. Evon**, Easley, SC (US)
- (73) Assignee: **Baldor Electric Company**, Fort Smith,  
AR (US)

D318,515	S *	7/1991	Oswalt	.....	D23/202
5,630,461	A	5/1997	CoChimin		
6,367,542	B1 *	4/2002	Chen	.....	165/80.3
D476,072	S *	6/2003	Wagner	.....	D23/370
D489,804	S *	5/2004	Wagner	.....	D23/370
7,402,932	B2	7/2008	Applegate		
7,683,510	B2 *	3/2010	Pellegrino	.....	310/58
7,687,945	B2 *	3/2010	Matin et al.	.....	310/64
2009/0032220	A1 *	2/2009	Lin	.....	165/80.3
2010/0045228	A1	2/2010	Rollins et al.		

(\*\*) Term: **14 Years**

(21) Appl. No.: **29/329,492**

(22) Filed: **Dec. 16, 2008**

(51) **LOC (9) Cl.** ..... **23-04**

(52) **U.S. Cl.** ..... **D23/370**

(58) **Field of Classification Search** ..... D23/351,  
D23/370, 379; 310/12.13, 61-66, 156.35-156.37,  
310/157, 261.1, 266, 268, 112, 26, 60 A,  
310/52, 57, 58, 125, 211, 27 D; 165/900,  
165/80.3, 122; 417/321, 410.1; 415/175-178,  
415/211.2, 208.1; 361/695-697, 679.48  
See application file for complete search history.

(56) **References Cited**

**U.S. PATENT DOCUMENTS**

D142,342	S *	8/1945	De Flon et al.	.....	D23/351
3,903,217	A *	9/1975	Heneby et al.	.....	261/111
4,103,192	A	7/1978	Wendt et al.		
4,105,905	A	8/1978	Barcus		
D253,783	S	12/1979	Engalitcheff, Jr.		
D254,149	S	2/1980	Engalitcheff, Jr.		
4,415,824	A	11/1983	Meier		
D273,414	S *	4/1984	Sinek	.....	D23/352
4,465,946	A	8/1984	Springer		
4,742,257	A	5/1988	Carpenter		
4,786,833	A	11/1988	Knobel		
4,839,547	A	6/1989	Lordo et al.		
5,008,575	A	4/1991	Ishimoto et al.		

**FOREIGN PATENT DOCUMENTS**

CZ 18242 U1 2/2008

**OTHER PUBLICATIONS**

Fans Cooling Technologies, Product Catalogue, Jun. 2008, 2 pages.

(Continued)

*Primary Examiner* — Philip S Hyder

*Assistant Examiner* — Linda G. Brooks

(74) *Attorney, Agent, or Firm* — Thompson Coburn LLP

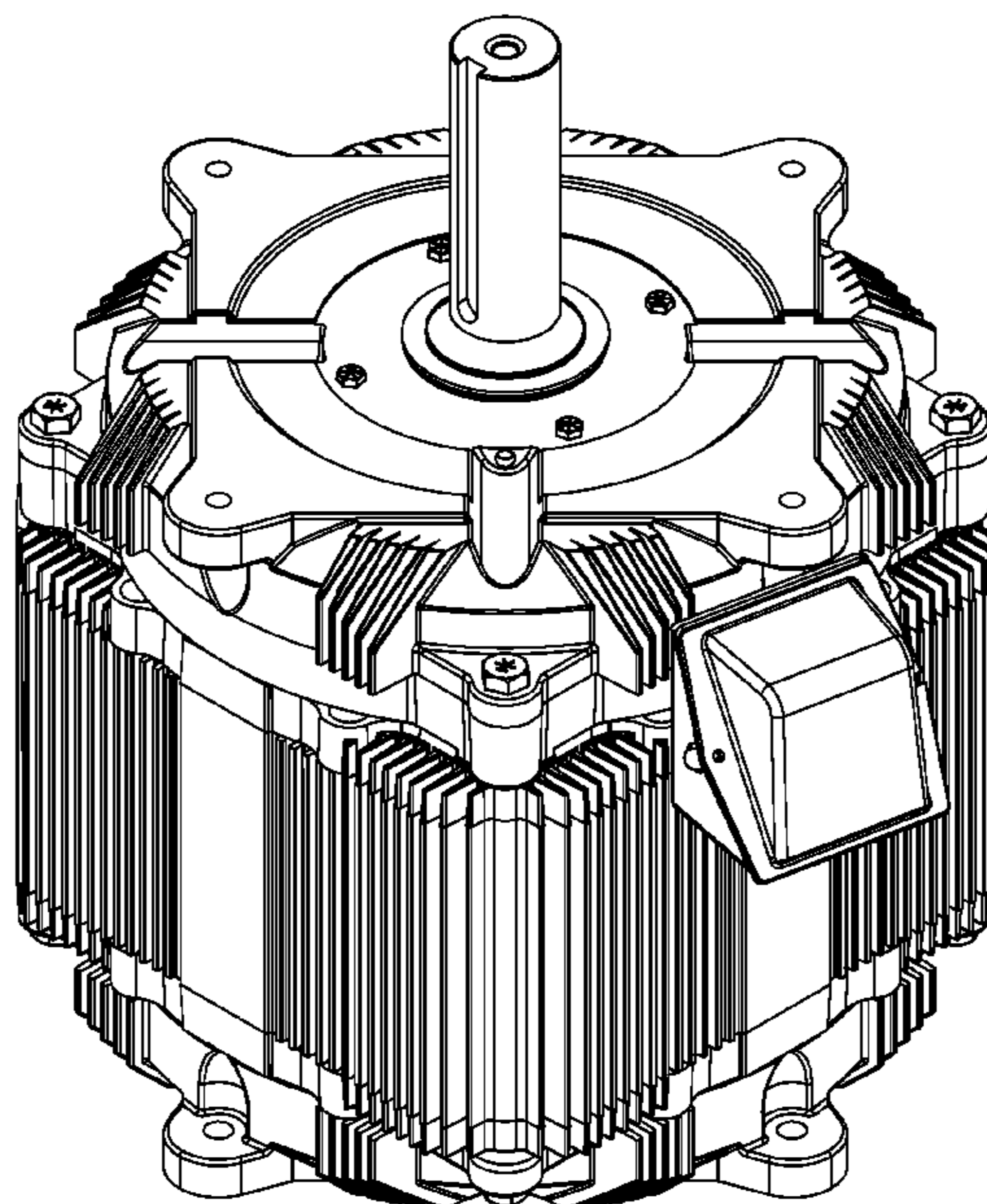
(57) **CLAIM**

The ornamental design for a cooling tower fan motor, as shown and described.

**DESCRIPTION**

FIG. 1 is a perspective view of a cooling tower fan motor showing our new design; FIG. 2 is a top view of the cooling tower fan motor of FIG. 1; FIG. 3 is a right side view of the cooling tower fan motor of FIG. 1; FIG. 4 is a left side view of the cooling tower fan motor of FIG. 1; FIG. 5 is a front view of the cooling tower fan motor of FIG. 1; and, FIG. 6 is a rear view of the cooling tower fan motor of FIG. 1.

**1 Claim, 6 Drawing Sheets**



OTHER PUBLICATIONS

McElveen, Robert, et al., Co-Pending U.S. Appl. No. 29/329,494  
entitled "Shroud for Cooling Tower Fan Motor" filed Dec. 16, 2008.  
McElveen, Robert, et al., Co-Pending U.S. Appl. No. 12/336,126

entitled "Method of Installing a Permanent Magnet Motor in a Cooling Tower and a Shroud Used in Connection Therewith" filed Dec. 16, 2008.

\* cited by examiner

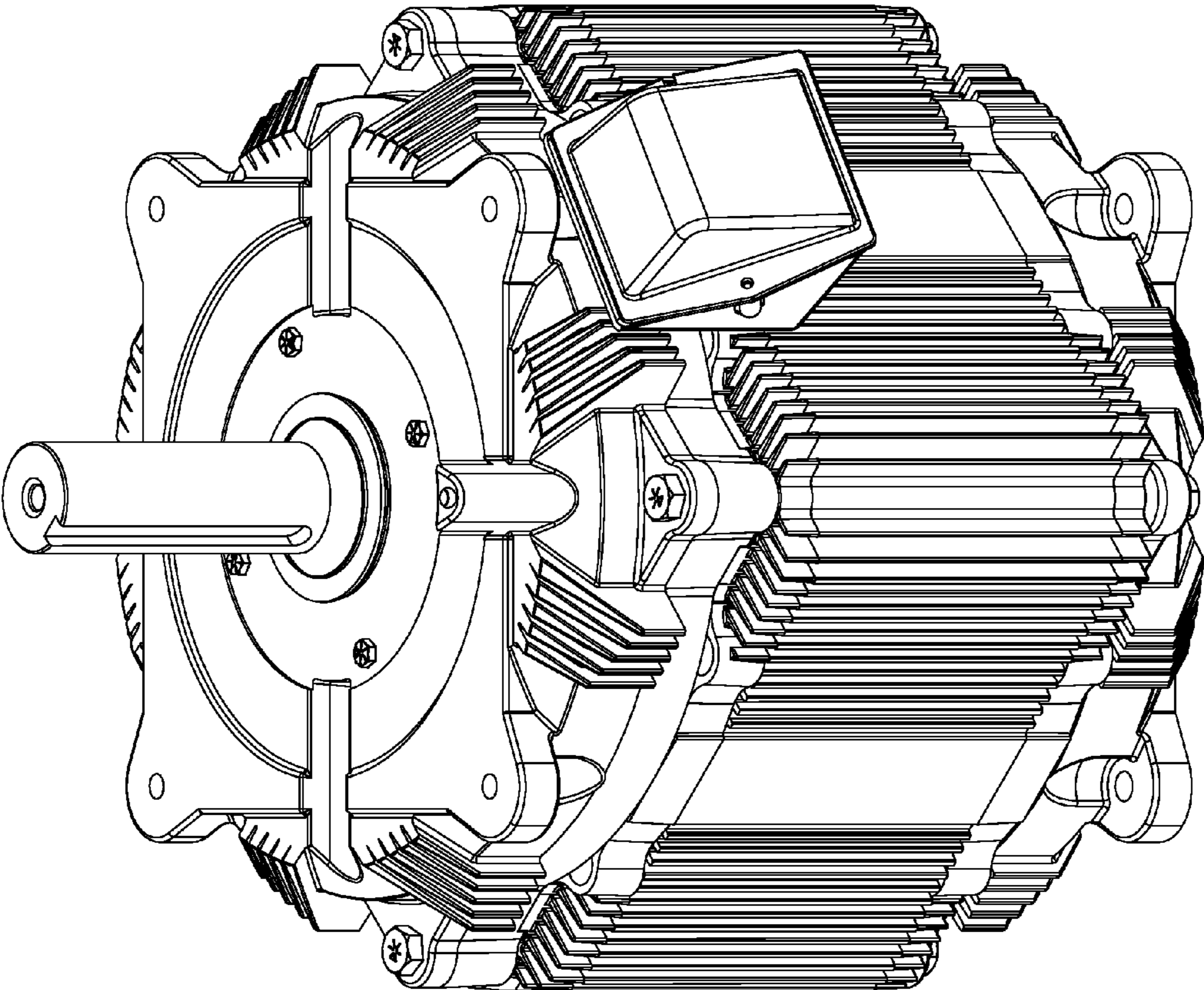


Fig. 1

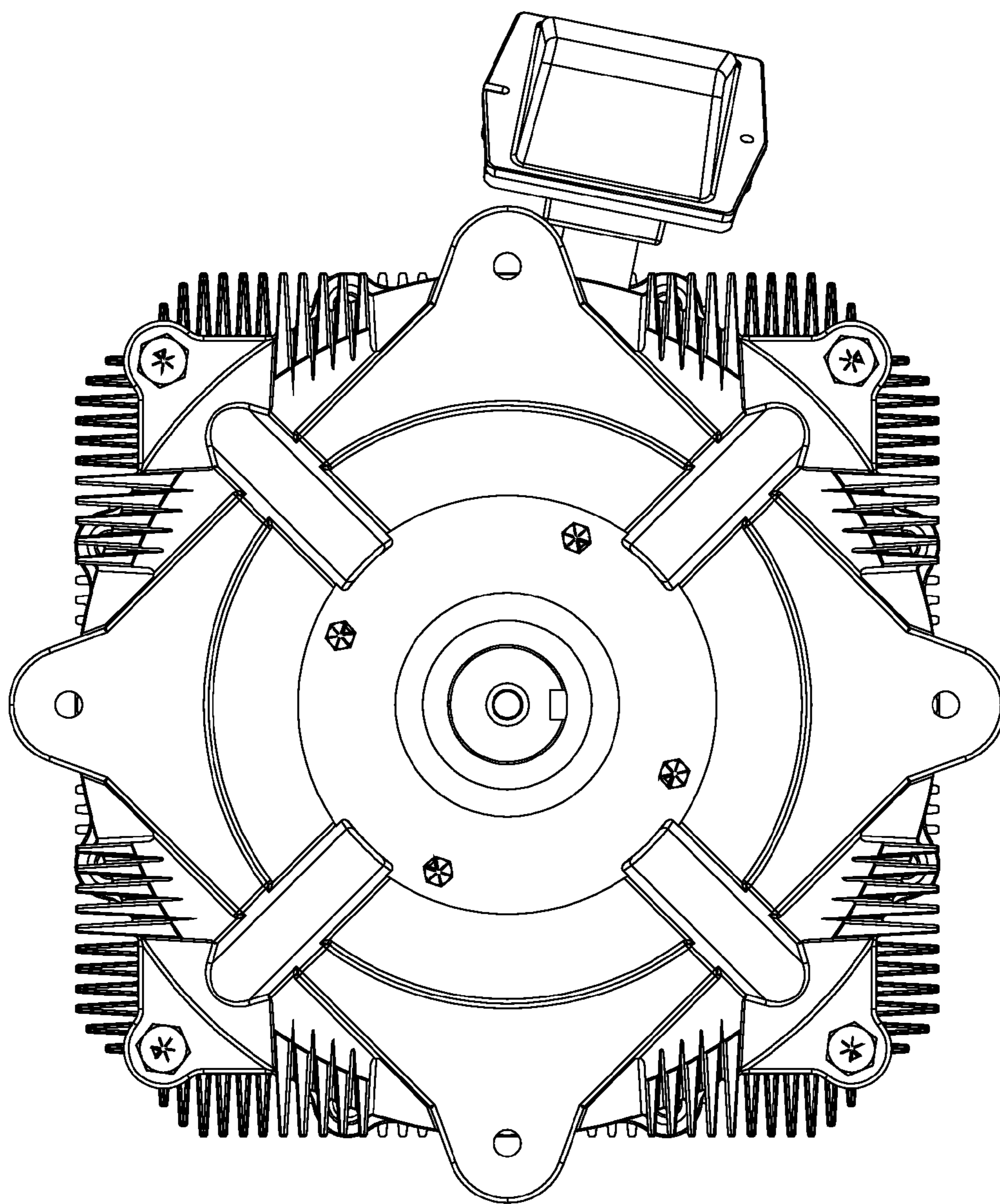


Fig. 2

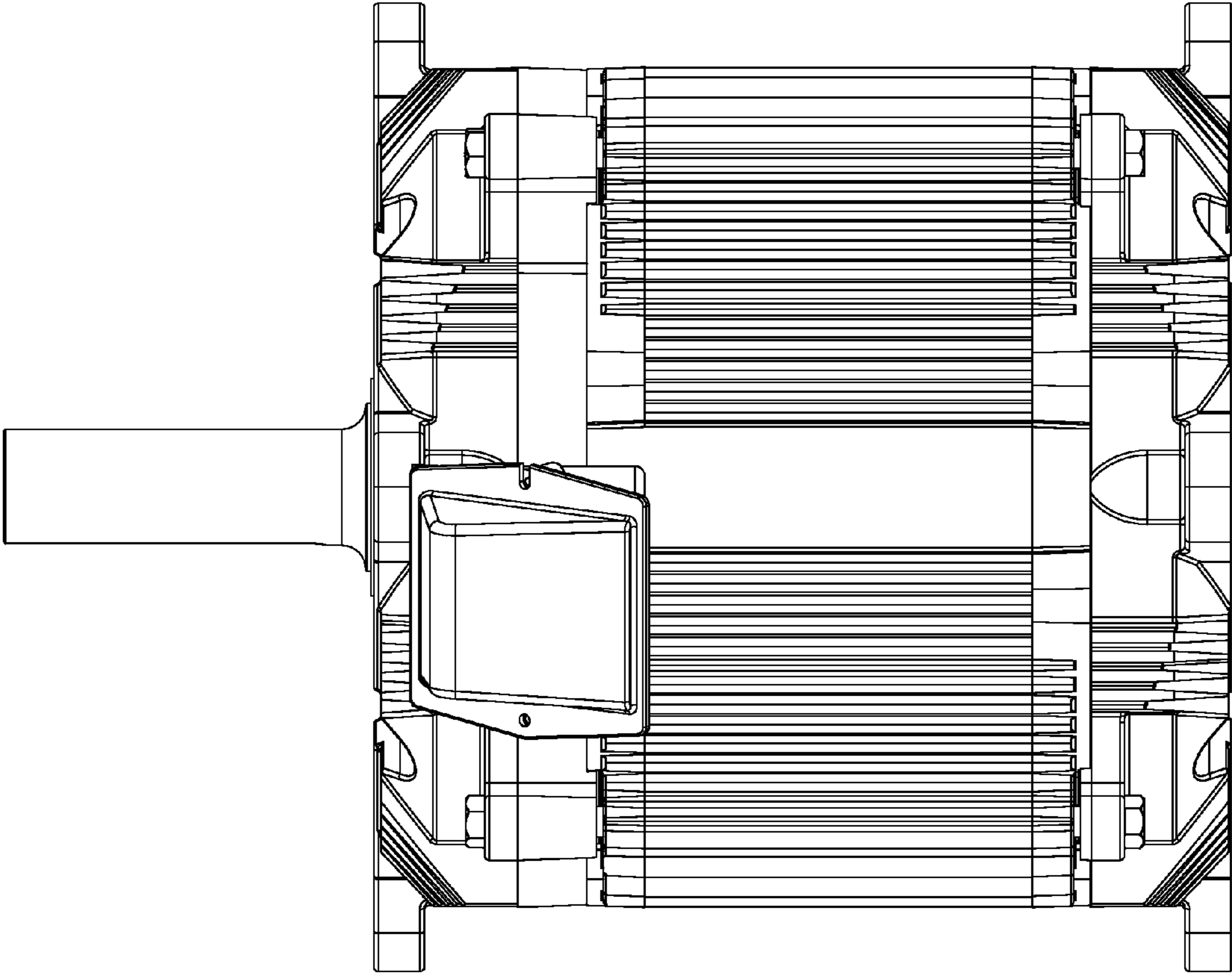


Fig. 3

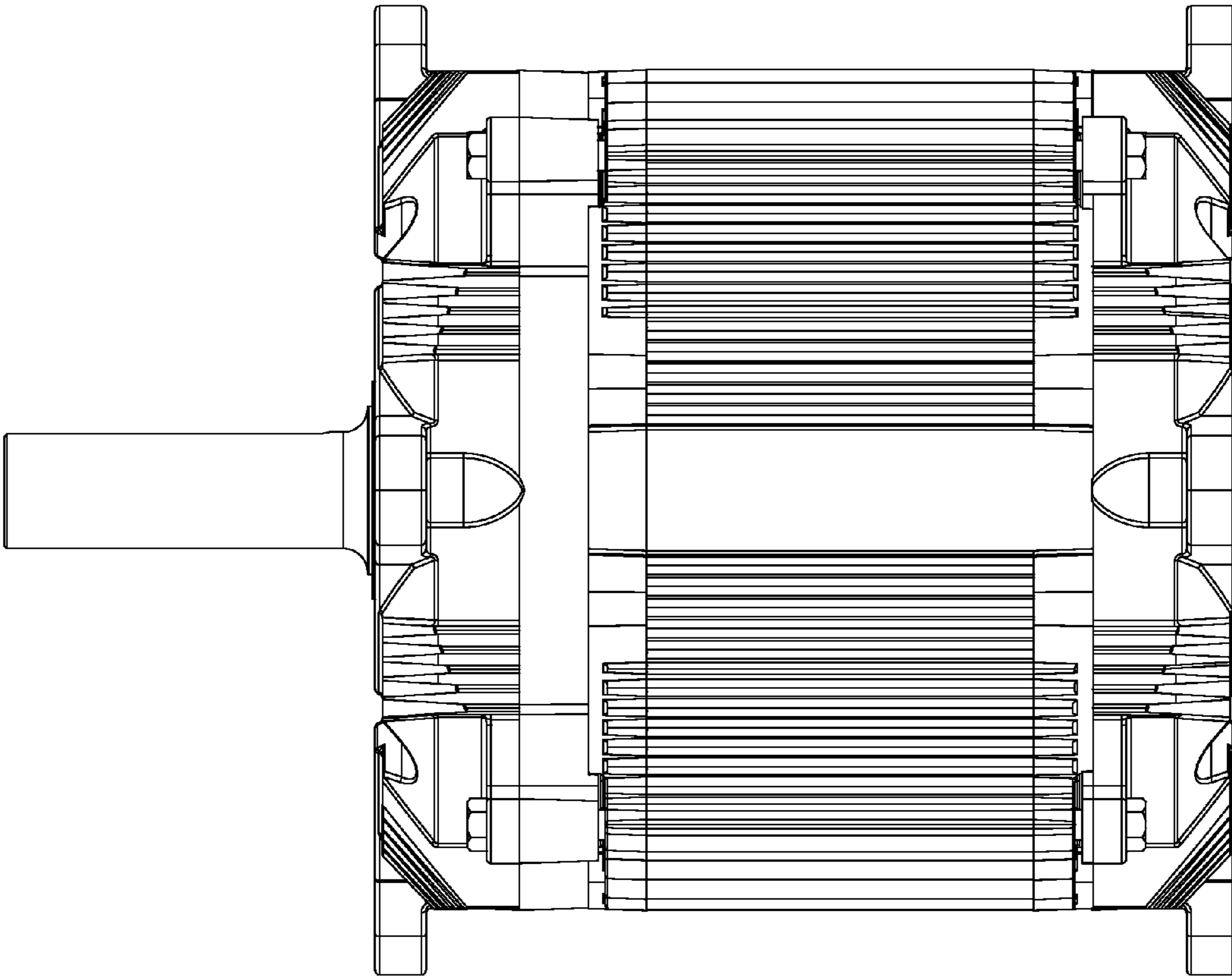


Fig. 4

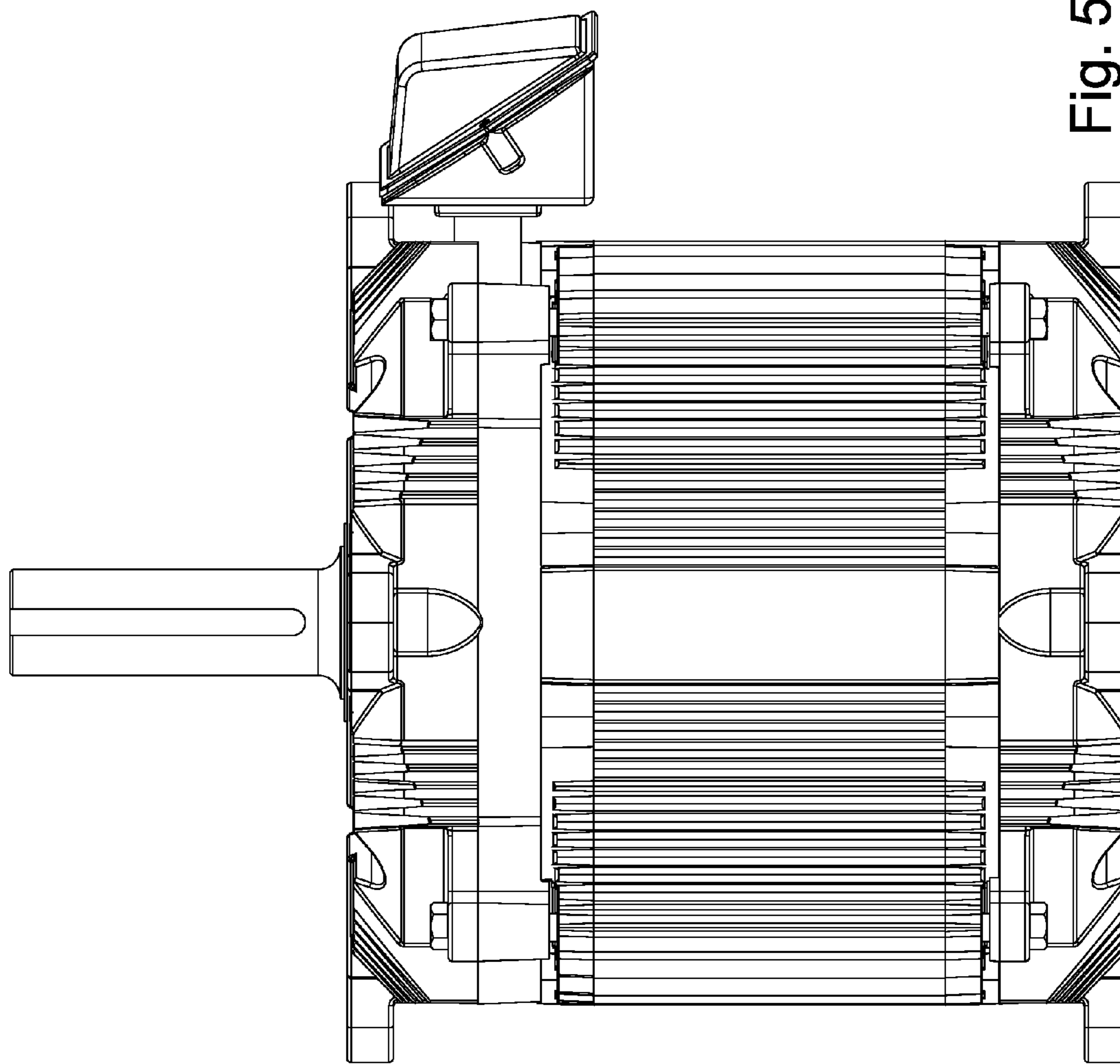


Fig. 5

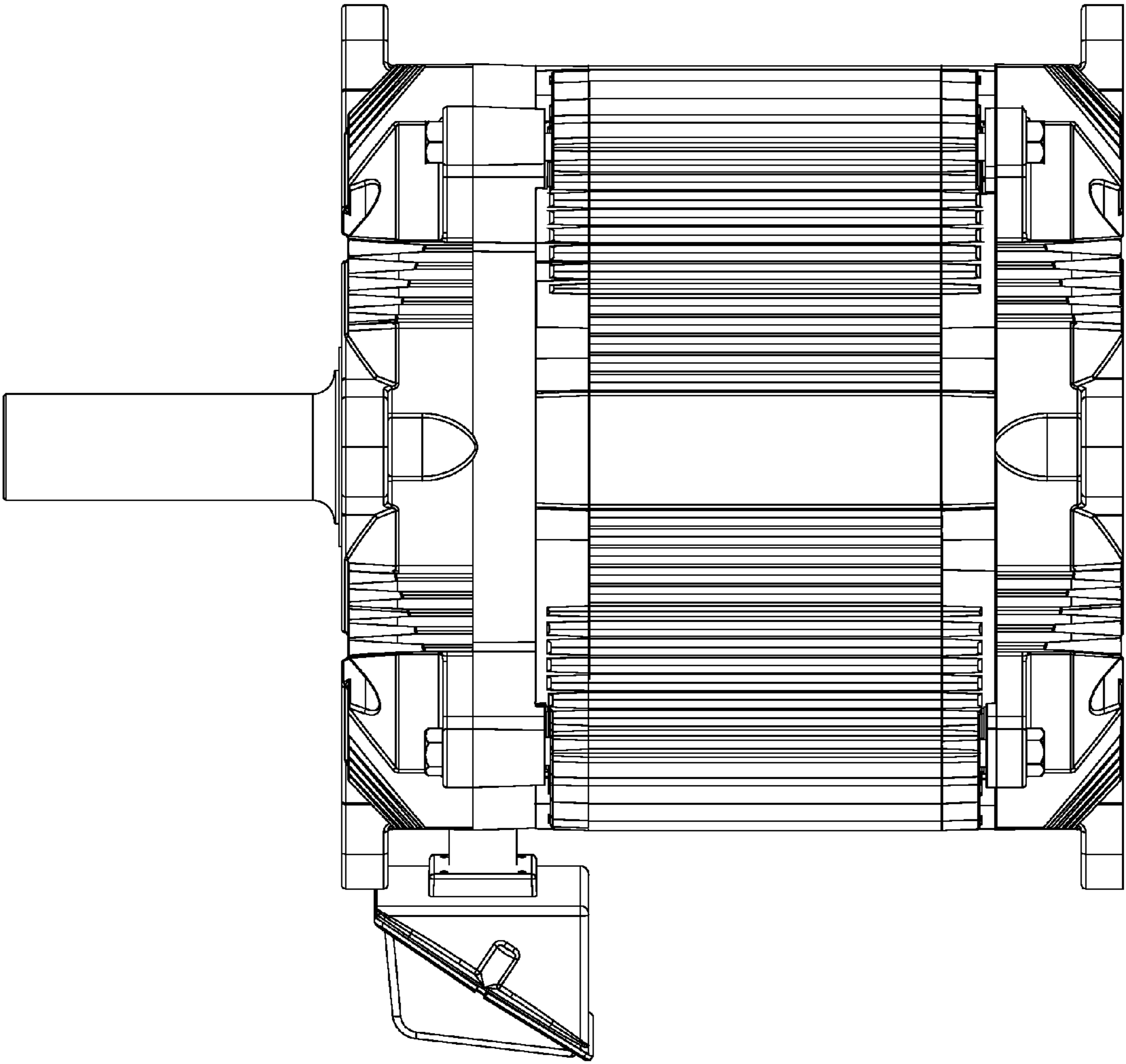


Fig. 6