



US00D636861S

(12) **United States Design Patent**
Marschner et al.

(10) **Patent No.:** **US D636,861 S**

(45) **Date of Patent:** **** Apr. 26, 2011**

(54) **MOTOR**

(75) Inventors: **Wolfgang Marschner**, Freiburg (DE);
Cüneyt Gürel, Singen (DE); **Jurgen**
Maier, Dornhan-Weiden (DE); **Thomas**
Weis, Radolfzell (DE)

(73) Assignee: **EBM - Papst St. Georgen GmbH and**
Co. KG, St. Georgen (DE)

(**) Term: **14 Years**

(21) Appl. No.: **29/323,526**

(22) Filed: **Aug. 27, 2008**

(30) **Foreign Application Priority Data**

May 15, 2008 (EM) 000940887

(51) **LOC (9) Cl.** **23-04**

(52) **U.S. Cl.** **D23/370**

(58) **Field of Classification Search** D23/370,
D23/379; 415/176, 177, 178, 211.2; 361/697,
361/695, 694; 165/80.3, 121, 122; D14/141;
310/90

See application file for complete search history.

(56) **References Cited**

U.S. PATENT DOCUMENTS

5,343,104 A * 8/1994 Takahashi et al. 310/90
D450,378 S * 11/2001 Minakuchi et al. D23/370
D480,468 S * 10/2003 Hoshina et al. D23/411

OTHER PUBLICATIONS

EBM-PAPST, St. Georgen Germany, ECI Fans Catalog, Nov. 2008,
pp. 1-24.

* cited by examiner

Primary Examiner — Lisa P Lichtenstein

(74) *Attorney, Agent, or Firm* — Milton Oliver, Esq.; Oliver
Intellectual Property

(57) **CLAIM**

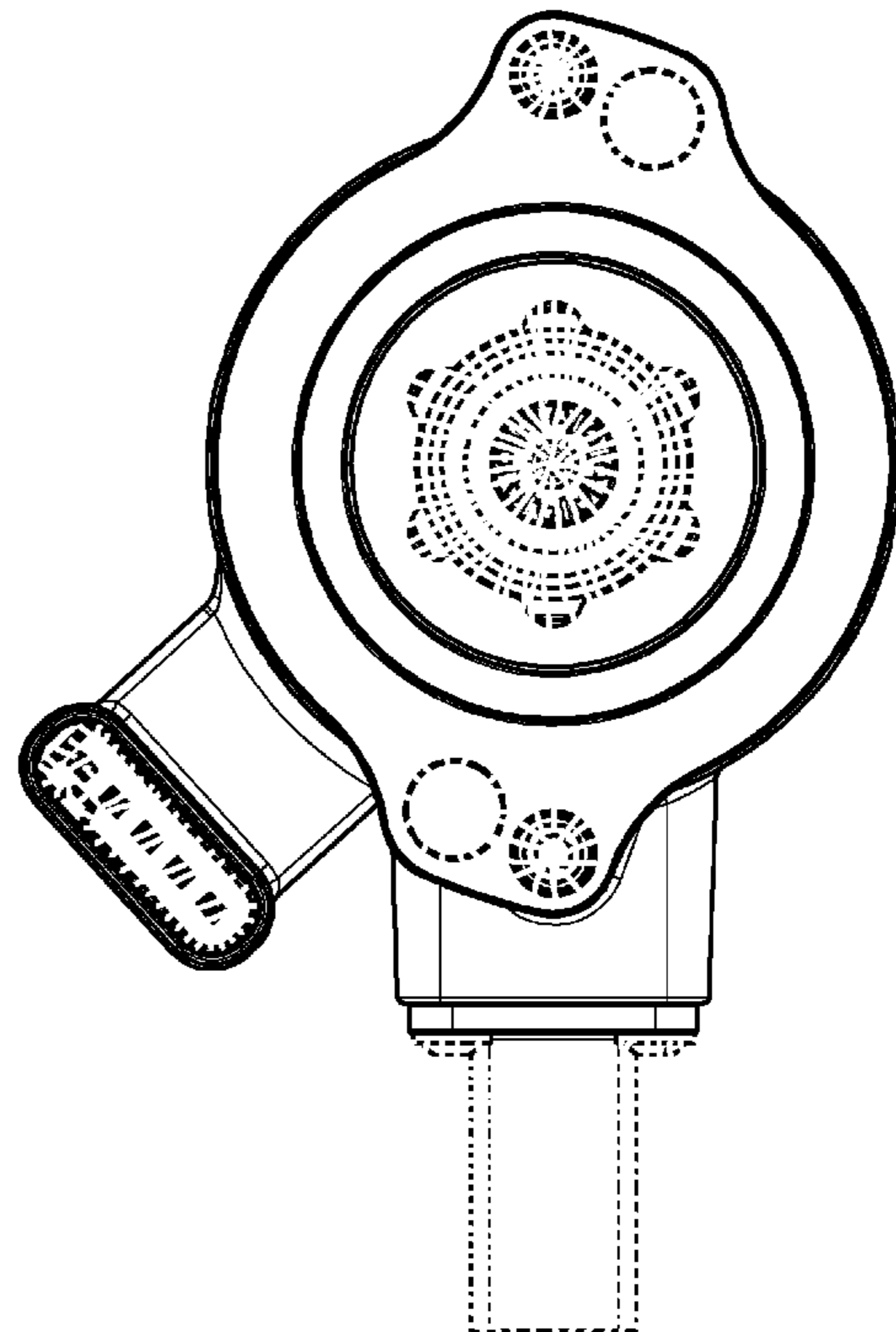
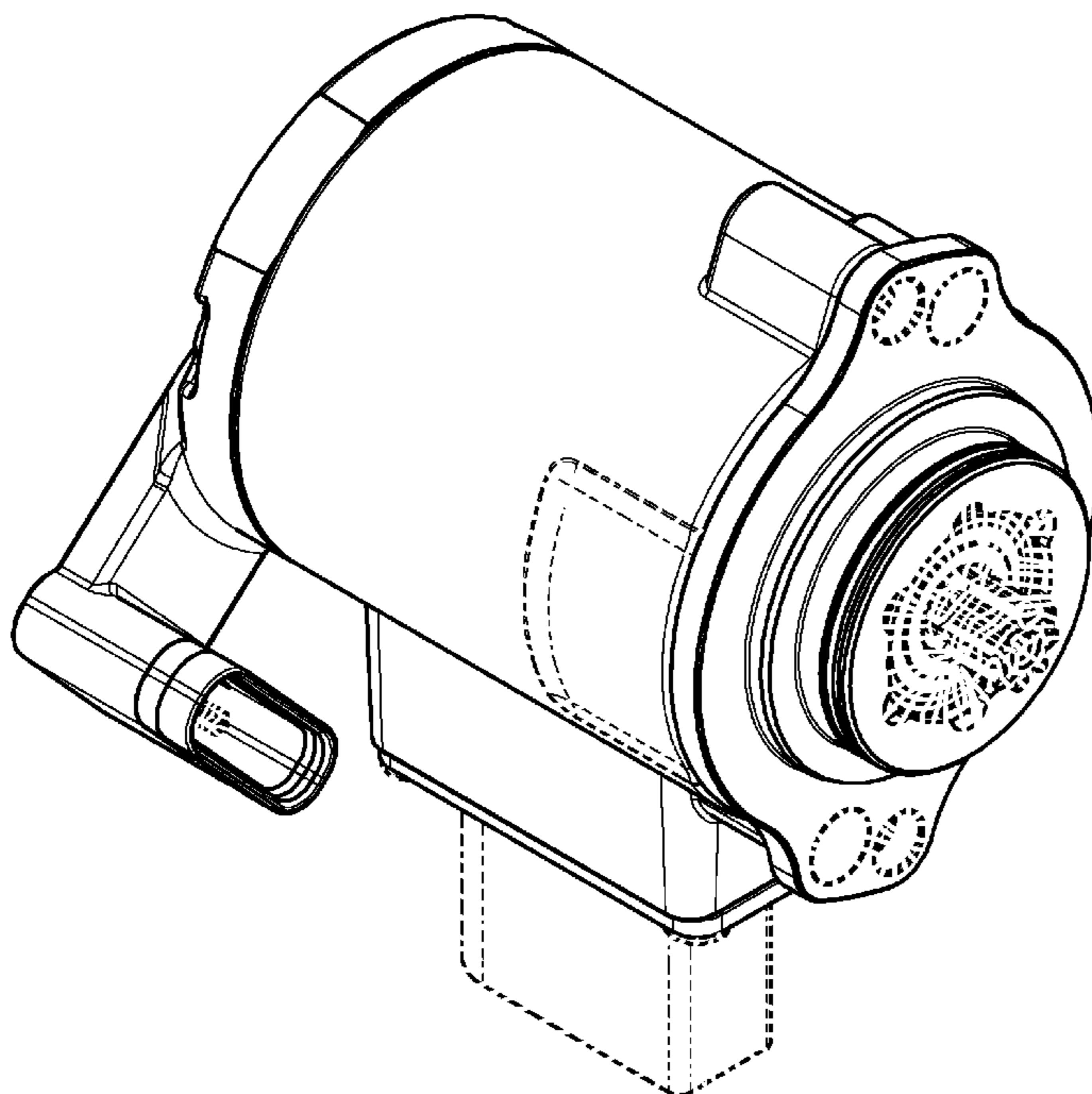
The ornamental design for a motor, as shown and described.

DESCRIPTION

FIG. 1 is a perspective view of a preferred embodiment of the
motor of the invention;
FIG. 2 is a front axial view thereof;
FIG. 3 is a rear axial view thereof;
FIG. 4 is a right side view thereof;
FIG. 5 is a left side view thereof;
FIG. 6 is a top view thereof; and,
FIG. 7 is a bottom view thereof.

The broken line showing of portions of a motor is included for
the purpose of illustrating environmental structure and forms
no part of the claimed design.

1 Claim, 7 Drawing Sheets



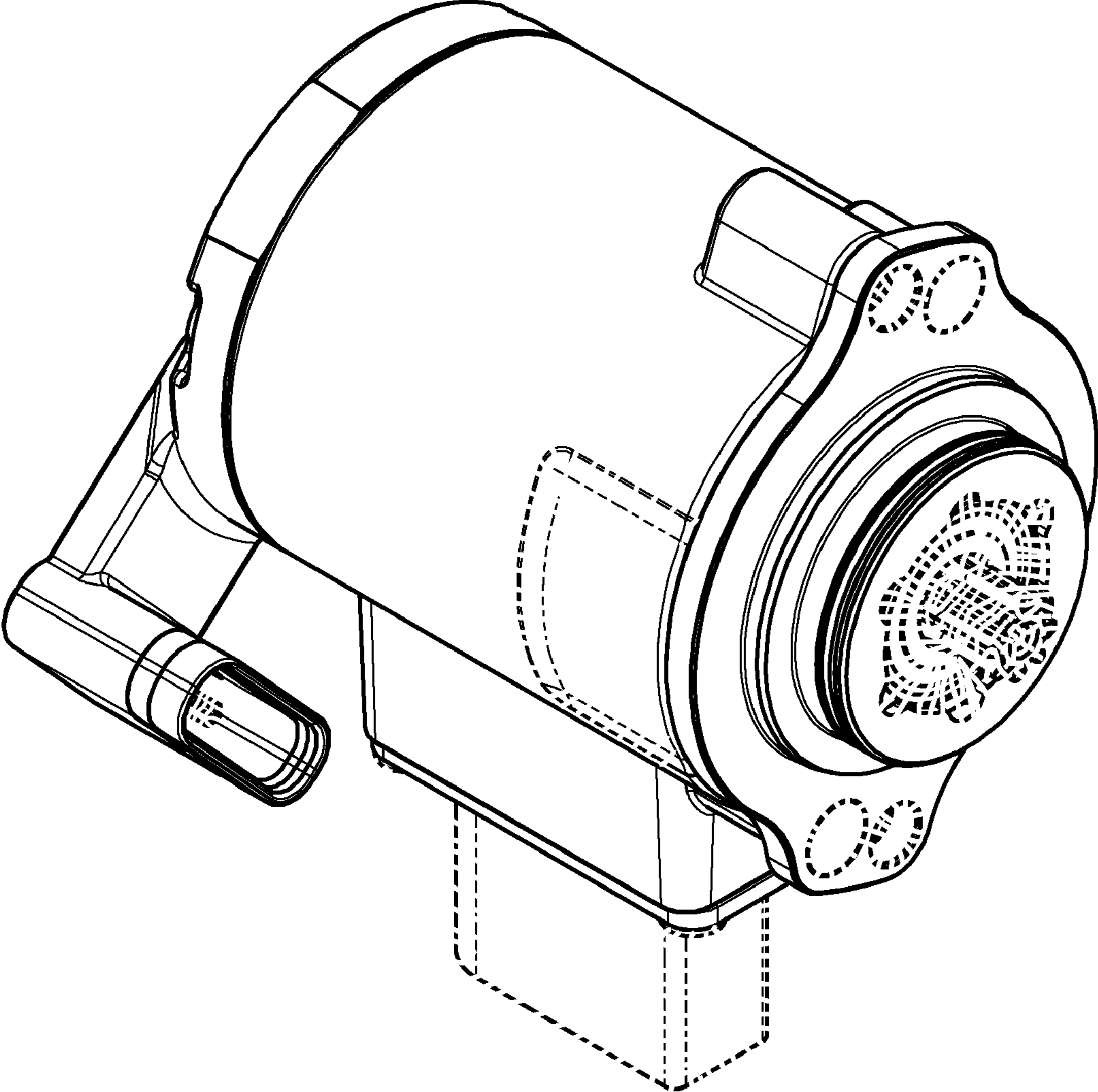


FIG. 1

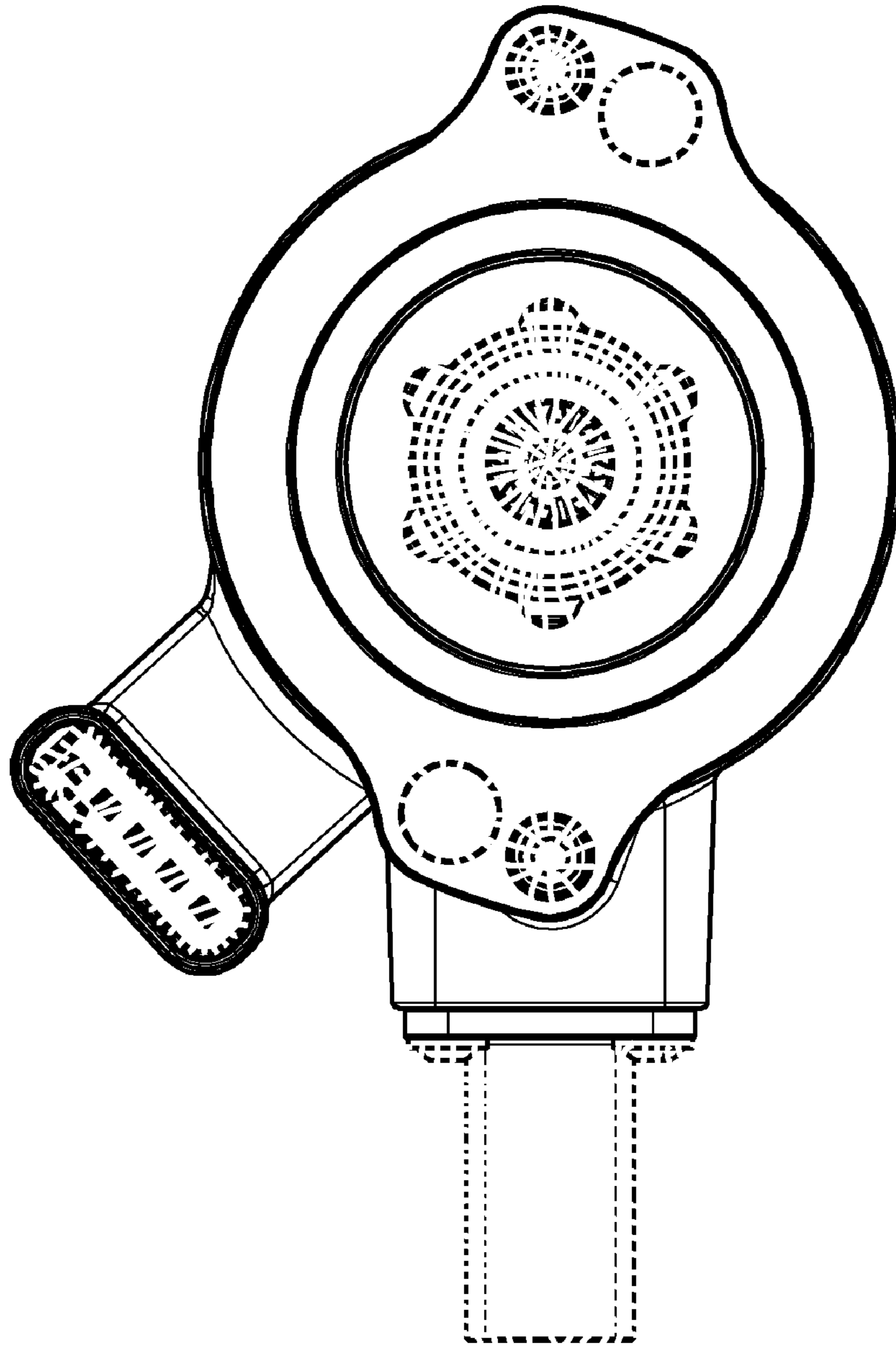


FIG. 2

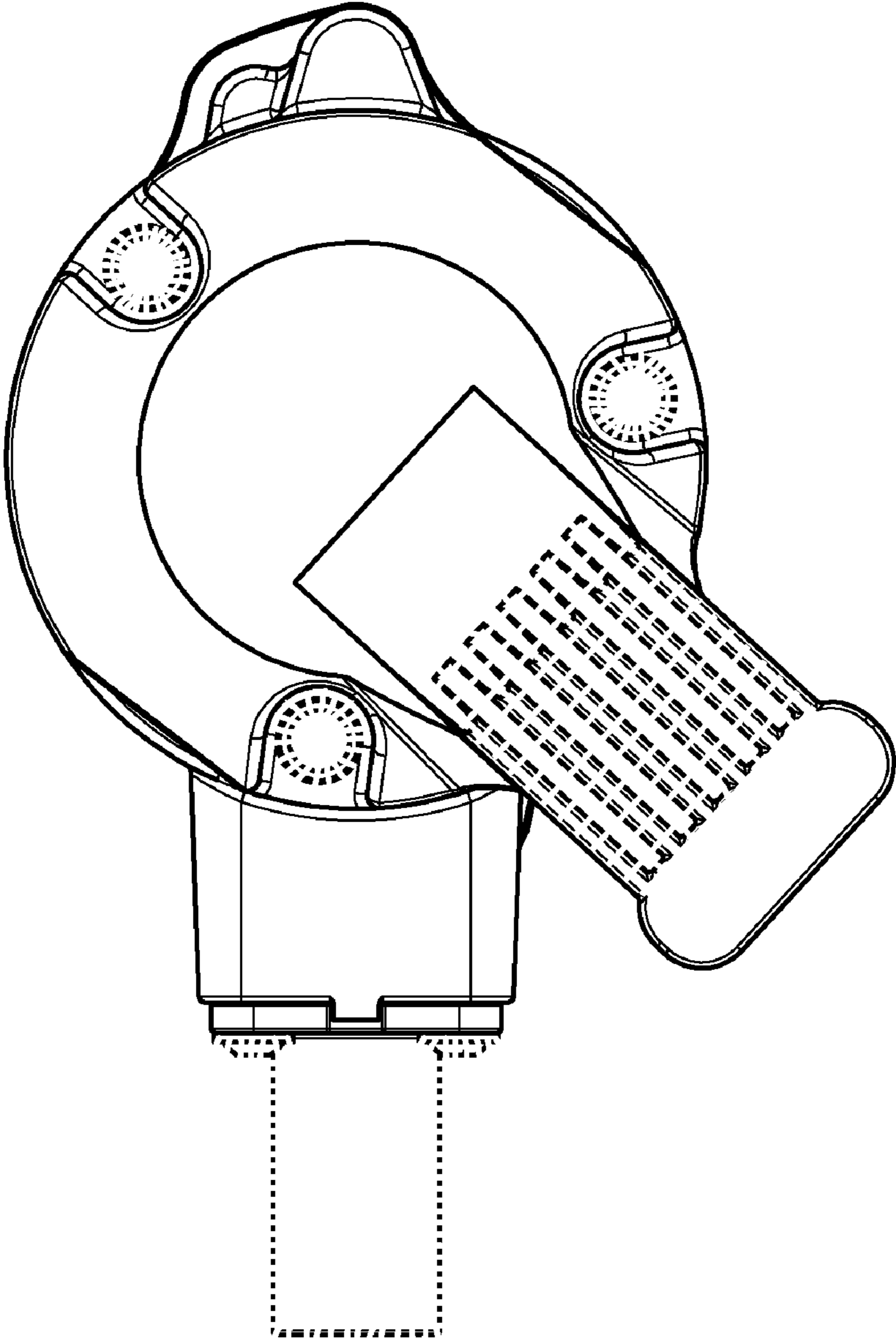


FIG. 3

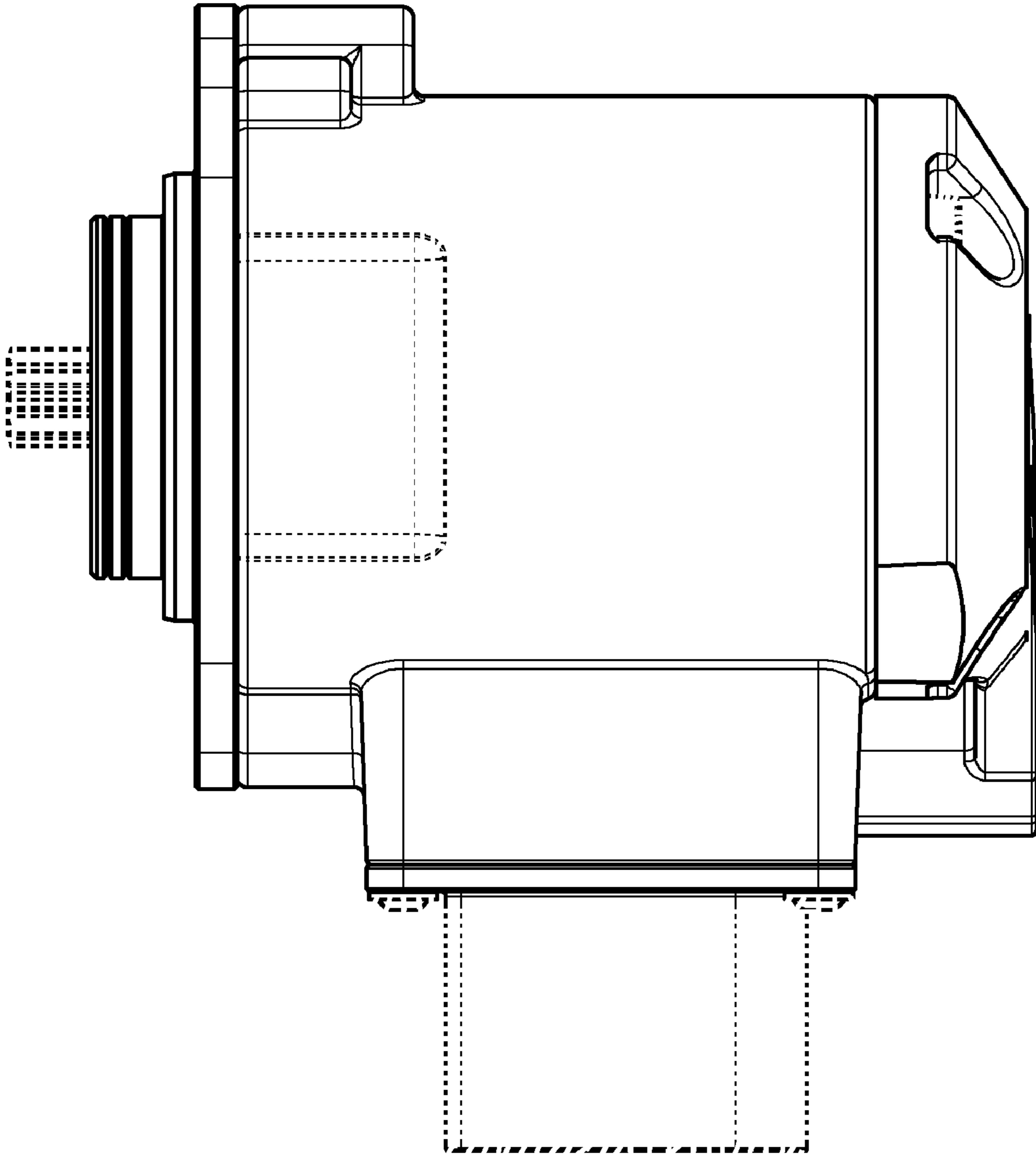


FIG. 4

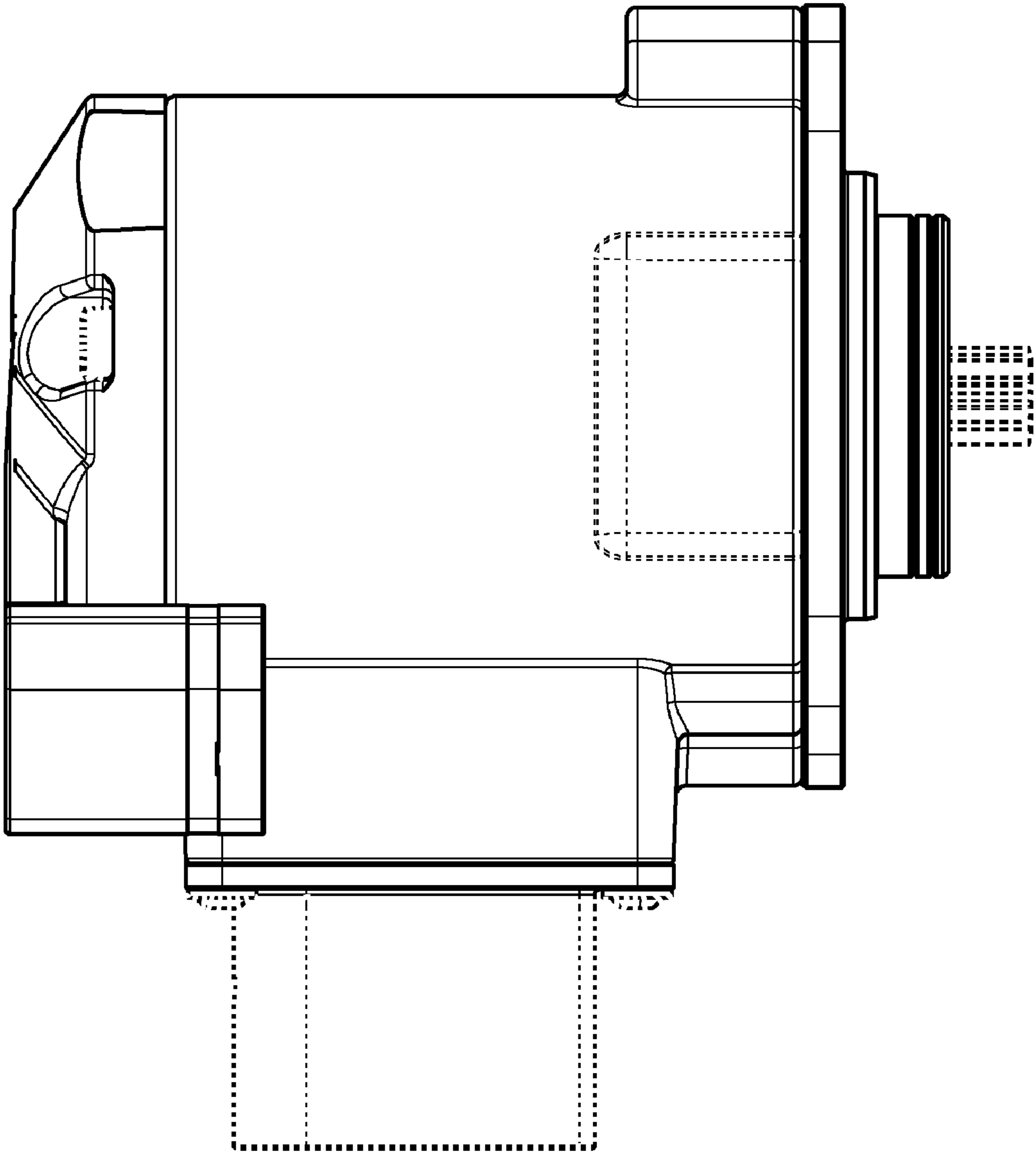


FIG. 5

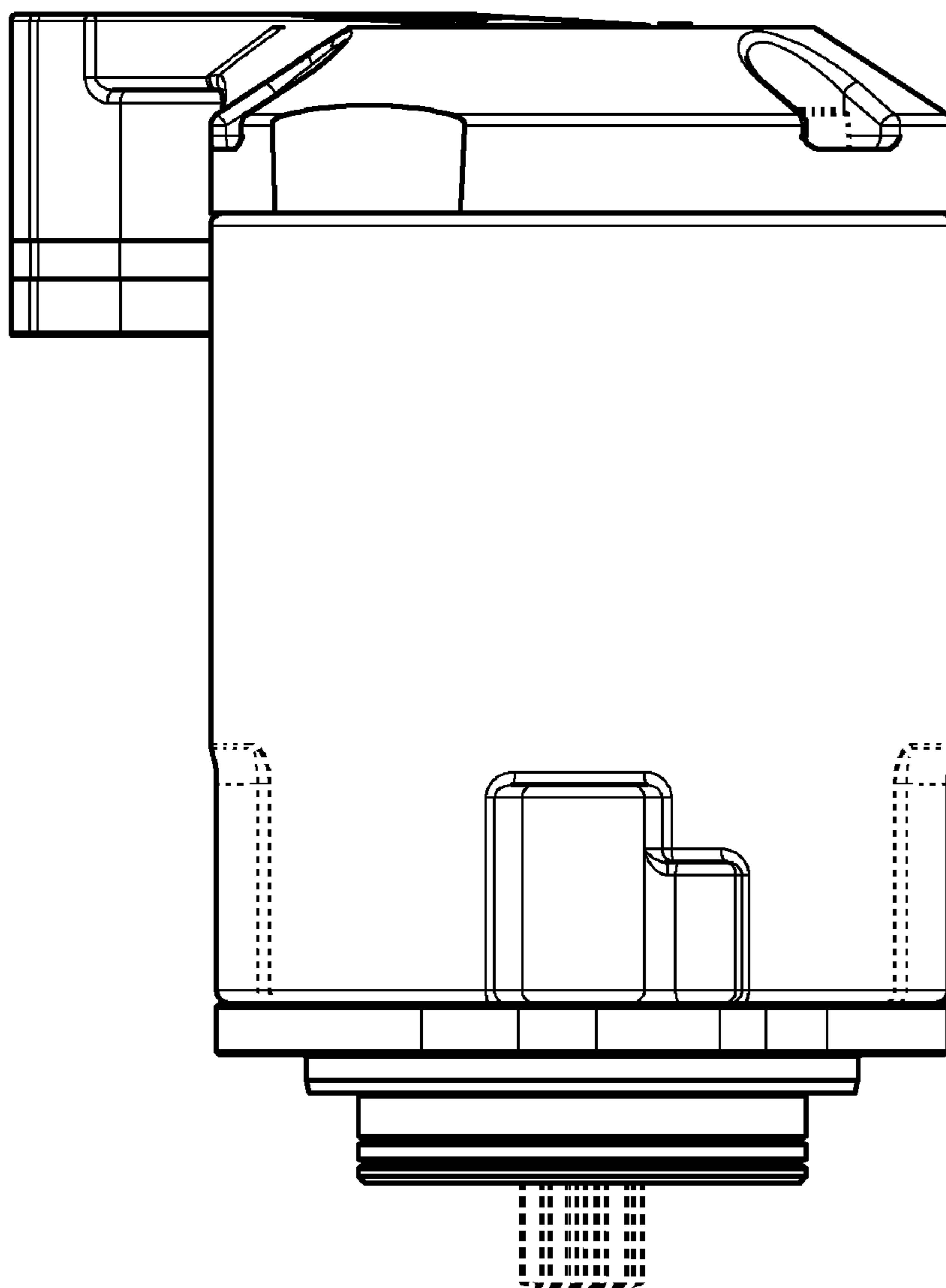


FIG. 6

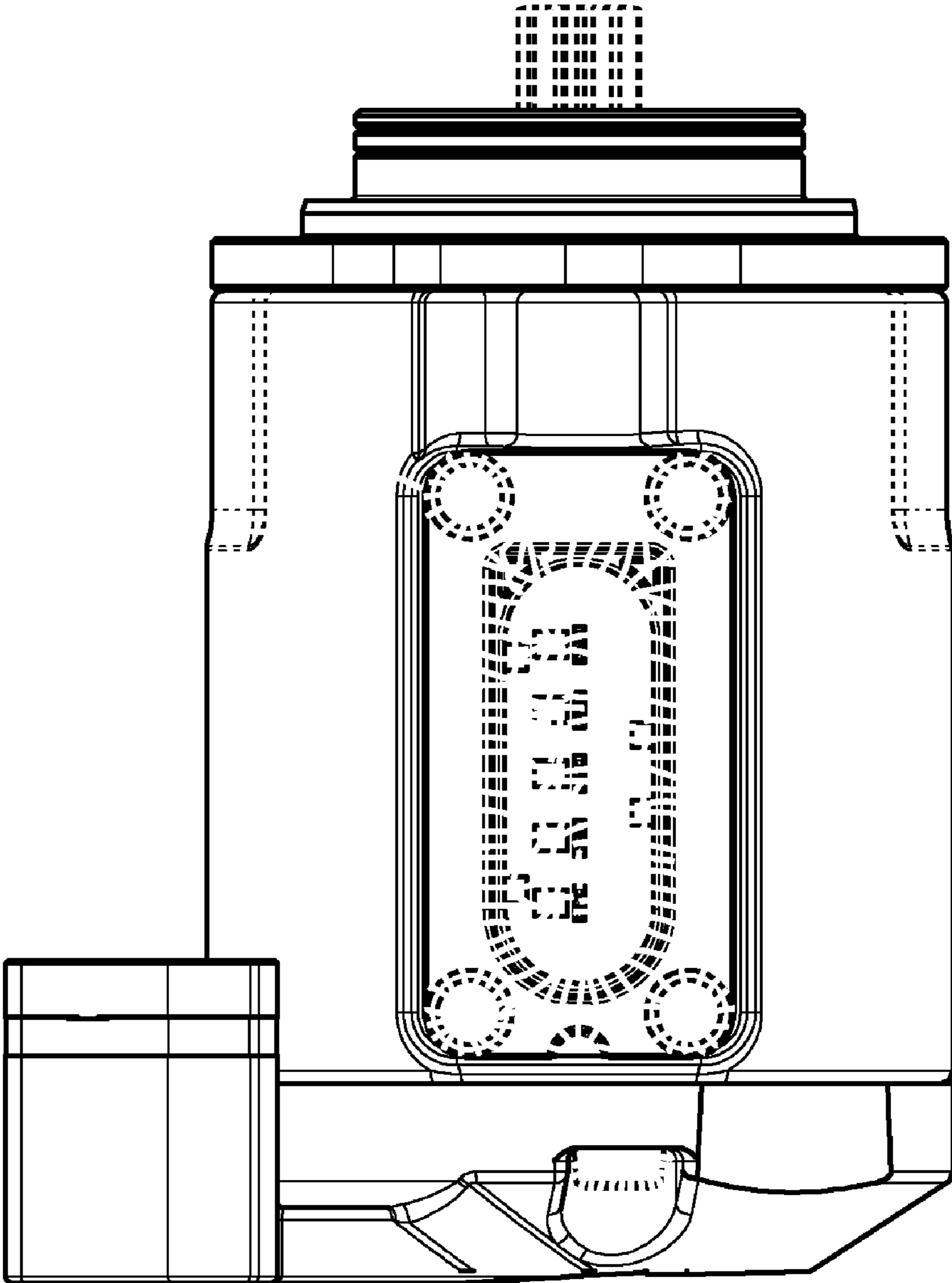


FIG. 7