



US00D636859S

(12) **United States Design Patent**
Lundgren et al.

(10) **Patent No.:** **US D636,859 S**

(45) **Date of Patent:** **** *Apr. 26, 2011**

(54) **FILTER CARTRIDGE**

(75) Inventors: **Thomas Lundgren**, Bloomington, MN (US); **Daniel Adamek**, Bloomington, MN (US); **Wade Mosset**, Savage, MN (US)

(73) Assignee: **Donaldson Company, Inc.**, Minneapolis, MN (US)

(*) Notice: This patent is subject to a terminal disclaimer.

(**) Term: **14 Years**

(21) Appl. No.: **29/308,151**

(22) Filed: **May 30, 2008**

(51) **LOC (9) Cl.** **23-04**

(52) **U.S. Cl.** **D23/365**

(58) **Field of Classification Search** D23/365, D23/363, 358, 386, 354, 341, 364, 366, 351, D23/393; 55/385.3, 502, 497, 506, 505, 55/521, 495, 422, 493, DIG. 30; 210/497.1; D15/5; 239/44; 96/52; 454/270
See application file for complete search history.

(56) **References Cited**

U.S. PATENT DOCUMENTS

3,164,141	A	1/1965	Jones	
4,011,846	A	3/1977	Gagliardi	
5,121,881	A *	6/1992	Lembeck	239/44
D335,531	S *	5/1993	Kunze et al.	D23/366
5,222,488	A *	6/1993	Forsgren	55/497
D353,451	S *	12/1994	Kunze	D23/366
5,795,369	A *	8/1998	Taub	55/521
6,440,188	B1 *	8/2002	Clements et al.	55/502
D466,520	S *	12/2002	Brent et al.	D15/5
6,663,695	B2 *	12/2003	Ike et al.	96/52
6,852,148	B2	2/2005	Gieseke et al.	
D554,745	S *	11/2007	Urfig	D23/351
D558,325	S *	12/2007	Karnes	D23/393
7,303,605	B2 *	12/2007	Zia et al.	55/495

D601,238 S * 9/2009 Lundgren et al. D23/365
2002/0170279 A1 11/2002 Gustafson et al.
2003/0051455 A1 3/2003 Gieseke et al.

(Continued)

FOREIGN PATENT DOCUMENTS

CN 2296402 Y 3/1997

(Continued)

OTHER PUBLICATIONS

Exhibit A, Pending claims corresponding to U.S. Appl. No. 12/157,650.

(Continued)

Primary Examiner — David G Muller

(74) *Attorney, Agent, or Firm* — Merchant & Gould P.C.

(57) **CLAIM**

The ornamental design for filter cartridge, as shown and described.

DESCRIPTION

FIG. 1 is a top perspective of an embodiment of a filter cartridge according to the present disclosure; in FIG. 1.

FIG. 2 is a first side elevational view of the filter cartridge depicted in FIG. 1.

FIG. 3 is a second side elevational view, opposite that of FIG. 2.

FIG. 4 is third side elevational view taken generally from the right toward the left, with respect to the orientation of FIG. 2.

FIG. 5 is a fourth side elevational view generally taken opposite that of FIG. 4.

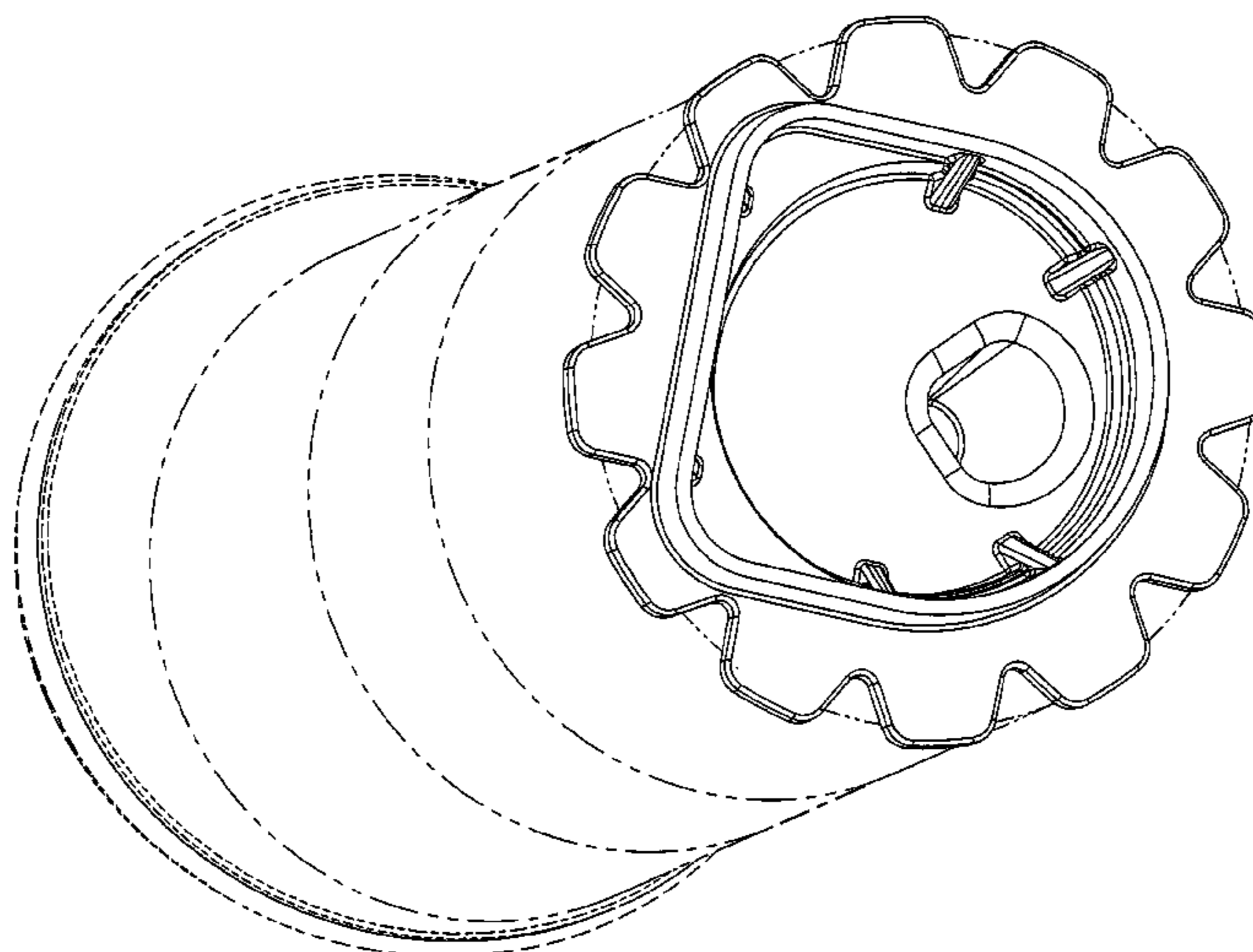
FIG. 6 is top plan view of the filter cartridge depicted in FIG. 1.

FIG. 7 is a bottom plan view of the filter cartridge depicted in FIG. 1; and,

FIG. 8 is a bottom perspective view of the filter cartridge depicted in FIG. 1.

The broken lines in the drawings form no part of the claimed design.

1 Claim, 7 Drawing Sheets



US D636,859 S

Page 2

U.S. PATENT DOCUMENTS

2005/0193694	A1	9/2005	Gieseke et al.	
2006/0086075	A1	4/2006	Scott et al.	
2006/0111037	A1 *	5/2006	Poirier et al.	454/270
2007/0084157	A1	4/2007	Heikamp et al.	
2009/0071111	A1	3/2009	Lundgren et al.	
2010/0031940	A1	2/2010	Mosset et al.	

FOREIGN PATENT DOCUMENTS

GB	2 033 247	5/1980
GB	2106410	4/1983
WO	99/00587	1/1999
WO	WO 02/076575	10/2002
WO	WO 2004/045743	6/2004
WO	WO 2005/063358	7/2005
WO	WO 2005/105266	11/2005
WO	WO 2006/050114	5/2006

WO	WO 2006/084282	8/2006
WO	WO 2007/009040	1/2007
WO	WO 2007/053411	10/2007
WO	WO 2008/147585	12/2008
WO	WO 2009/018454	5/2009

OTHER PUBLICATIONS

Exhibit B, Search Report and Written Opinion corresponding to PCT/US2008/066757.

Exhibit C, Search Report and Written Opinion corresponding to PCT/US2008/057493.

Exhibit D, Search Report and Written Opinion corresponding to PCT/US2006/041738.

Exhibit E, U.S. Appl. 60/906,729, which corresponds to PCT/US2008/056498, which published as WO 2008/147585.

* cited by examiner

FIG. 1

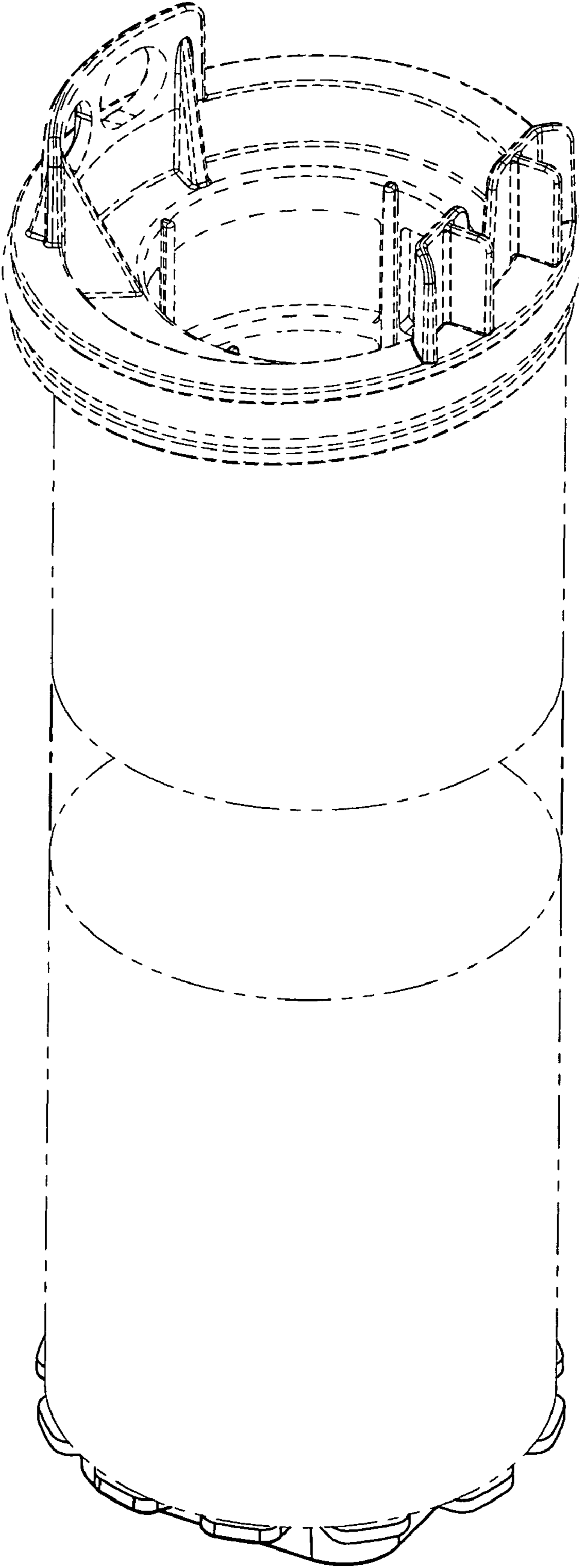


FIG. 2

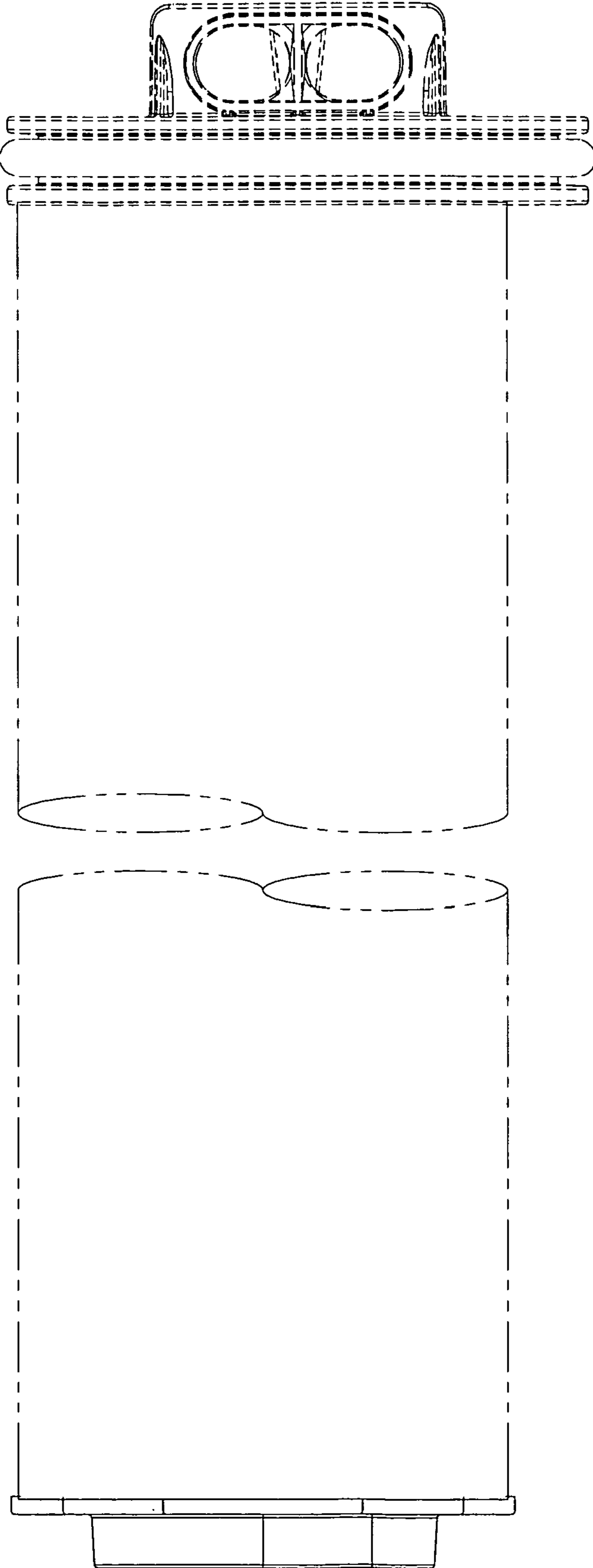


FIG. 3

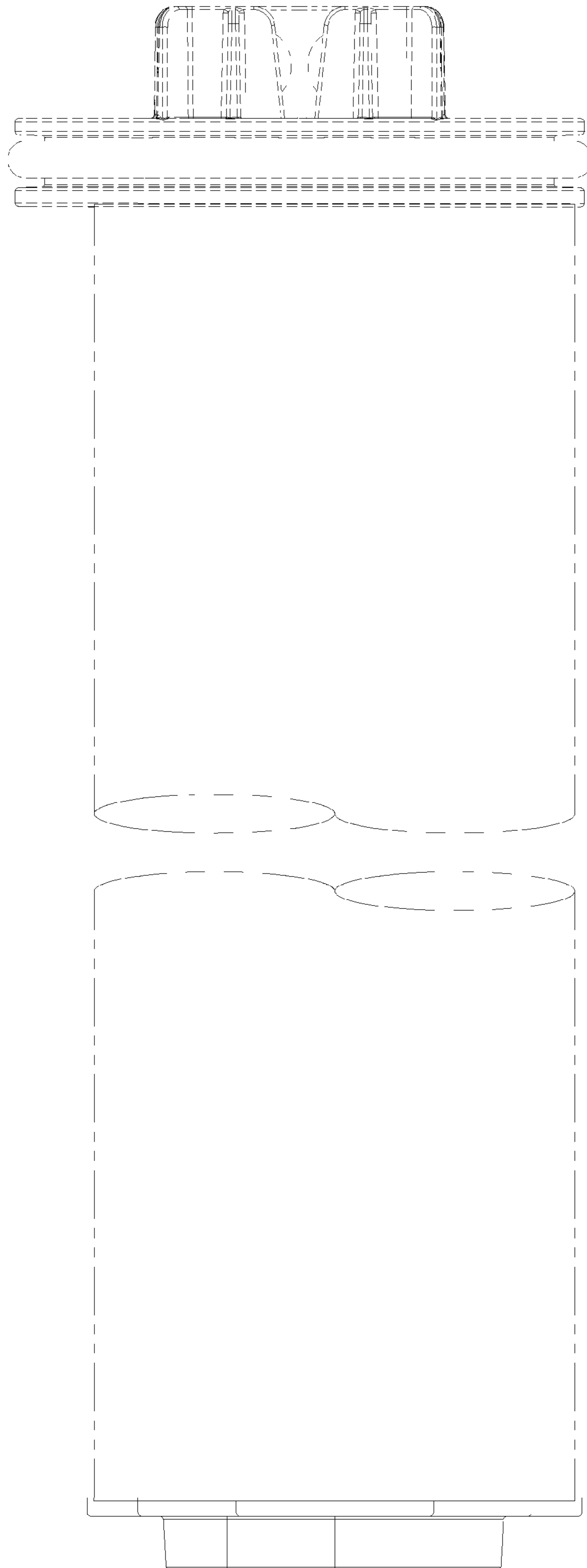


FIG. 4

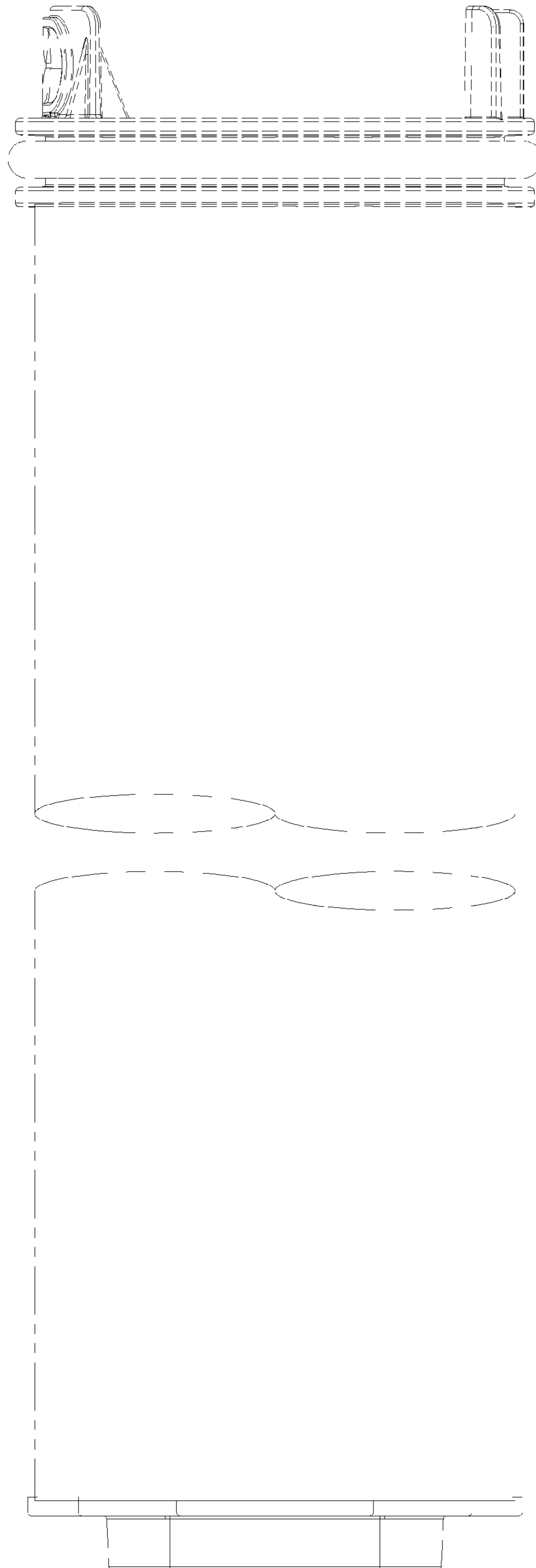


FIG. 5

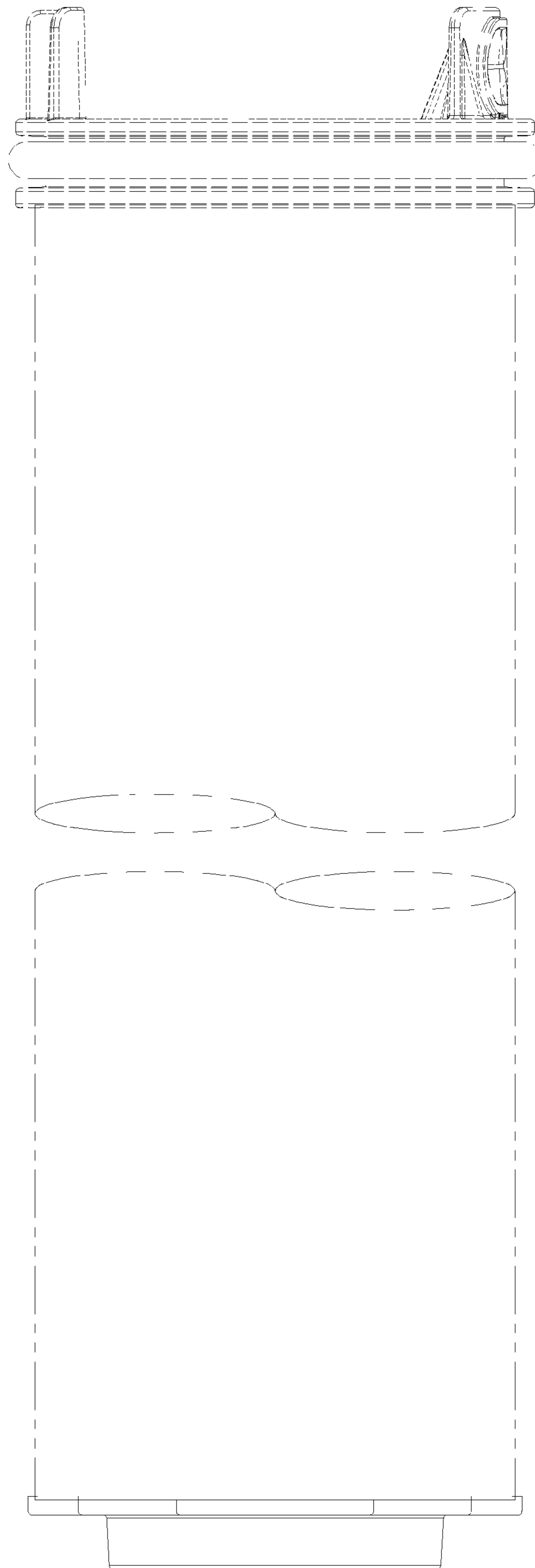


FIG. 6

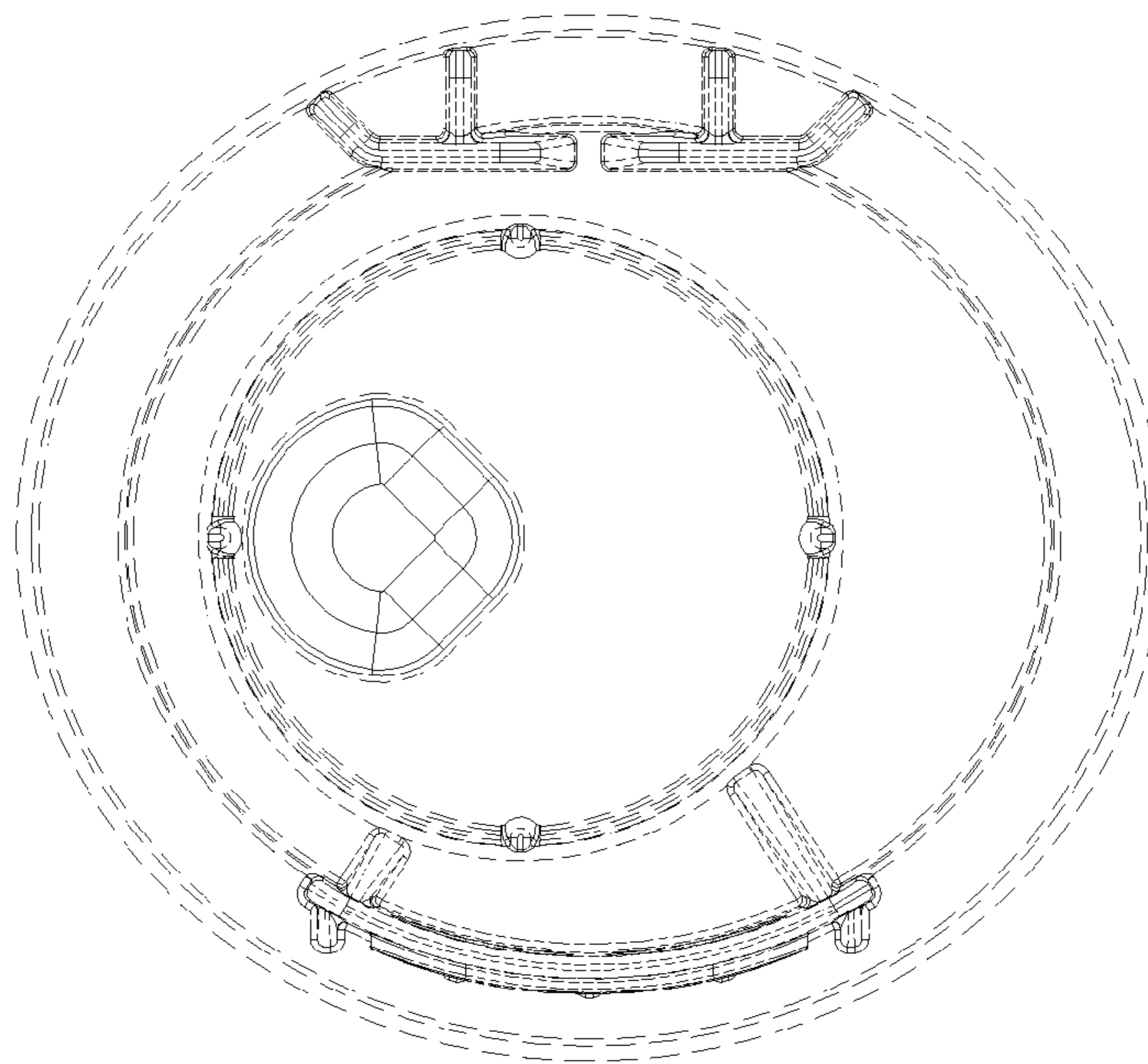
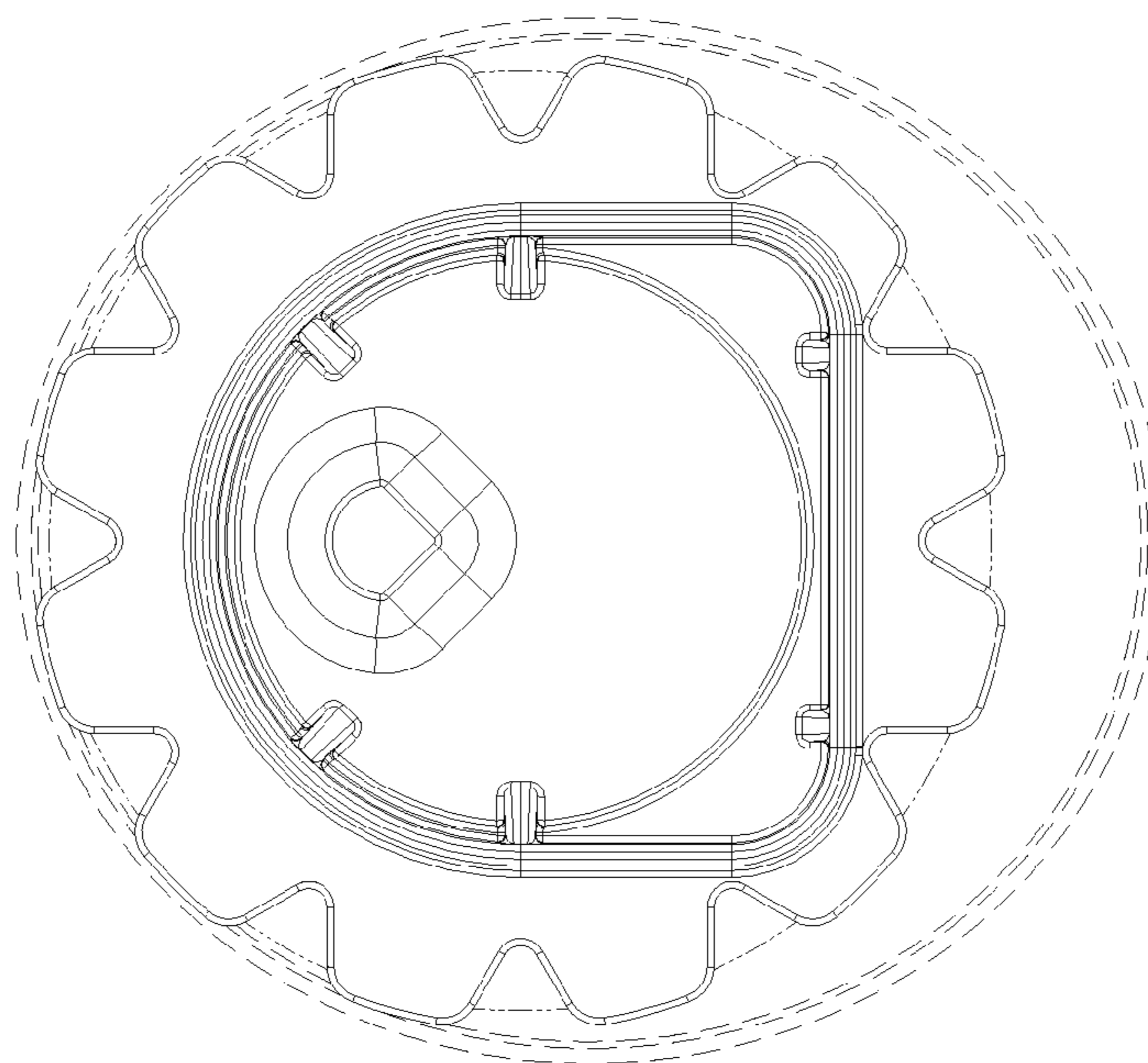


FIG. 7



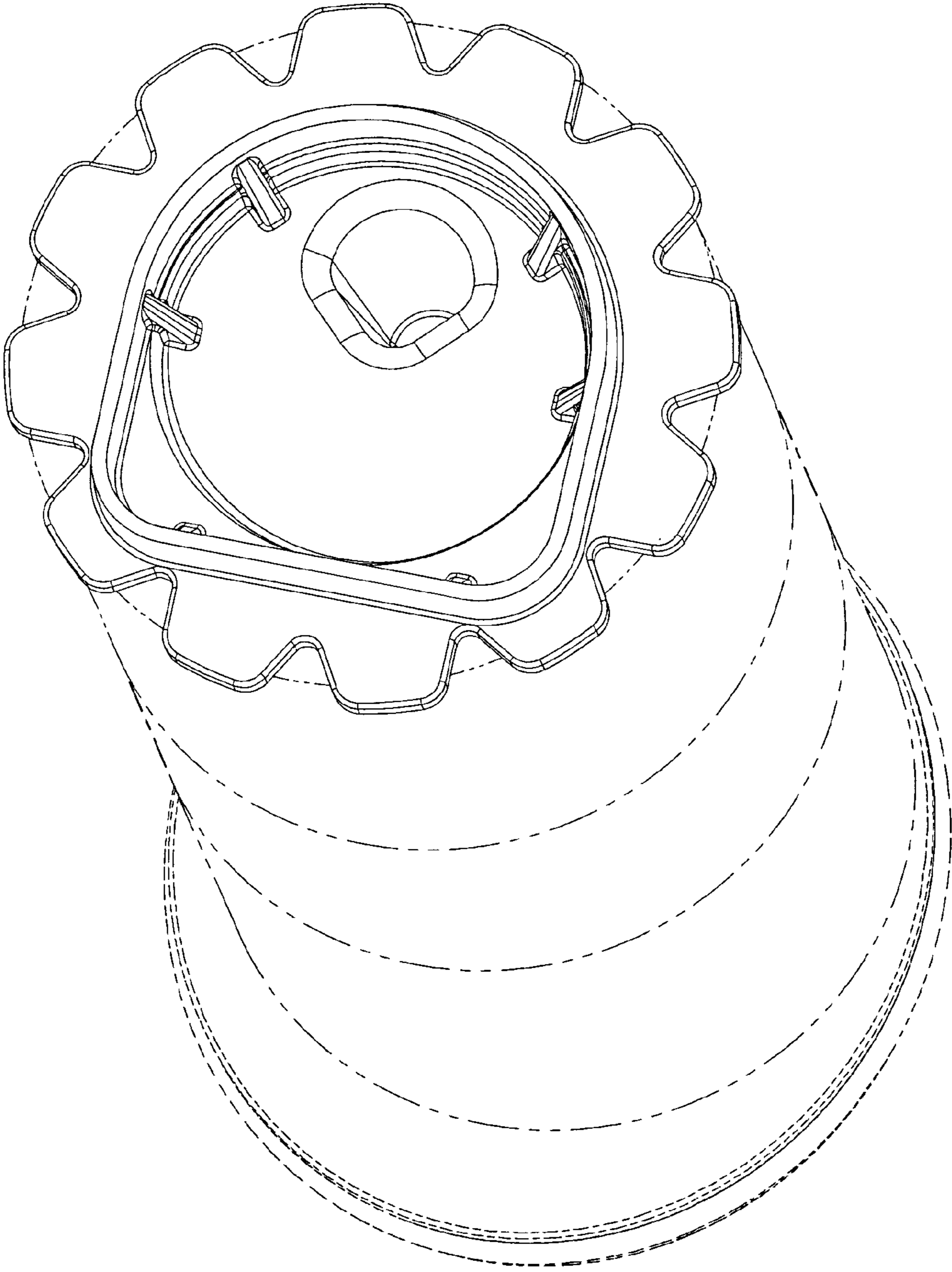


FIG. 8