



US00D636858S

(12) **United States Design Patent**  
**Ediger et al.**

(10) **Patent No.:** **US D636,858 S**

(45) **Date of Patent:** **\*\* Apr. 26, 2011**

(54) **HEATER**

(75) Inventors: **Glen W. Ediger**, North Newton, KS  
(US); **Gary P. Israel**, Andover, KS (US)

(73) Assignee: **Vornado Air LLC**, Andover, KS (US)

(\*\*) Term: **14 Years**

(21) Appl. No.: **29/356,846**

(22) Filed: **Mar. 3, 2010**

(51) **LOC (9) Cl.** ..... **23-03**

(52) **U.S. Cl.** ..... **D23/335**

(58) **Field of Classification Search** ..... D23/314,  
D23/332, 335-350, 378, 370, 381, 354, 351,  
D23/386, 333, 328, 353, 361, 385, 417, 357;  
392/365, 367, 424, 383, 411, 360, 369, 373-376;  
126/183, 110 B, 91 A, 92 A, 500, 544, 547  
See application file for complete search history.

(56) **References Cited**

**U.S. PATENT DOCUMENTS**

D418,591 S *	1/2000	Birdsell et al.	.....	D23/335
D422,066 S *	3/2000	Lee	.....	D23/335
D426,876 S *	6/2000	Rossman et al.	.....	D23/341
D448,837 S *	10/2001	Toro et al.	.....	D23/335
D456,499 S *	4/2002	Ching	.....	D23/335

D467,325 S *	12/2002	Ching	.....	D23/335
D471,969 S *	3/2003	Krauss	.....	D23/337
D597,640 S *	8/2009	Israel et al.	.....	D23/335
D597,641 S *	8/2009	Israel et al.	.....	D23/335
D626,641 S *	11/2010	Ediger et al.	.....	D23/335

\* cited by examiner

*Primary Examiner* — T. Chase Nelson

*Assistant Examiner* — Ania K Dworzecka

(74) *Attorney, Agent, or Firm* — Advent IP, P.C., L.L.O.

(57) **CLAIM**

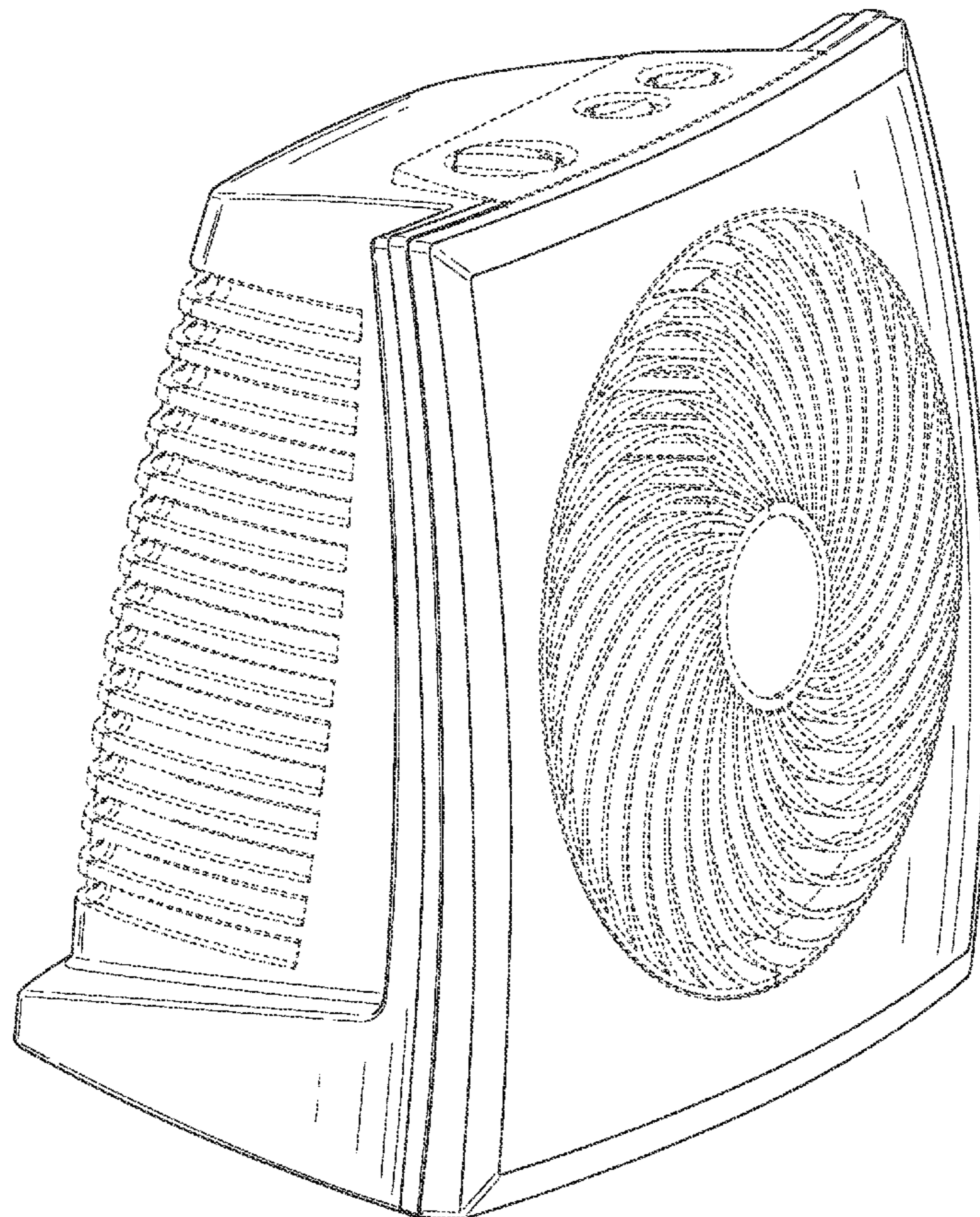
The ornamental design for a heater, as shown and described.

**DESCRIPTION**

FIG. 1 is a front left perspective view of a heater showing our new design;  
FIG. 2 is a rear perspective view;  
FIG. 3 is a front elevation view;  
FIG. 4 is a right elevation view;  
FIG. 5 is a left elevation view;  
FIG. 6 is a top plan view; and,  
FIG. 7 is a rear elevation view.

In the drawings, the broken lines depict unclaimed subject matter only and form no part of the claimed design.

**1 Claim, 7 Drawing Sheets**



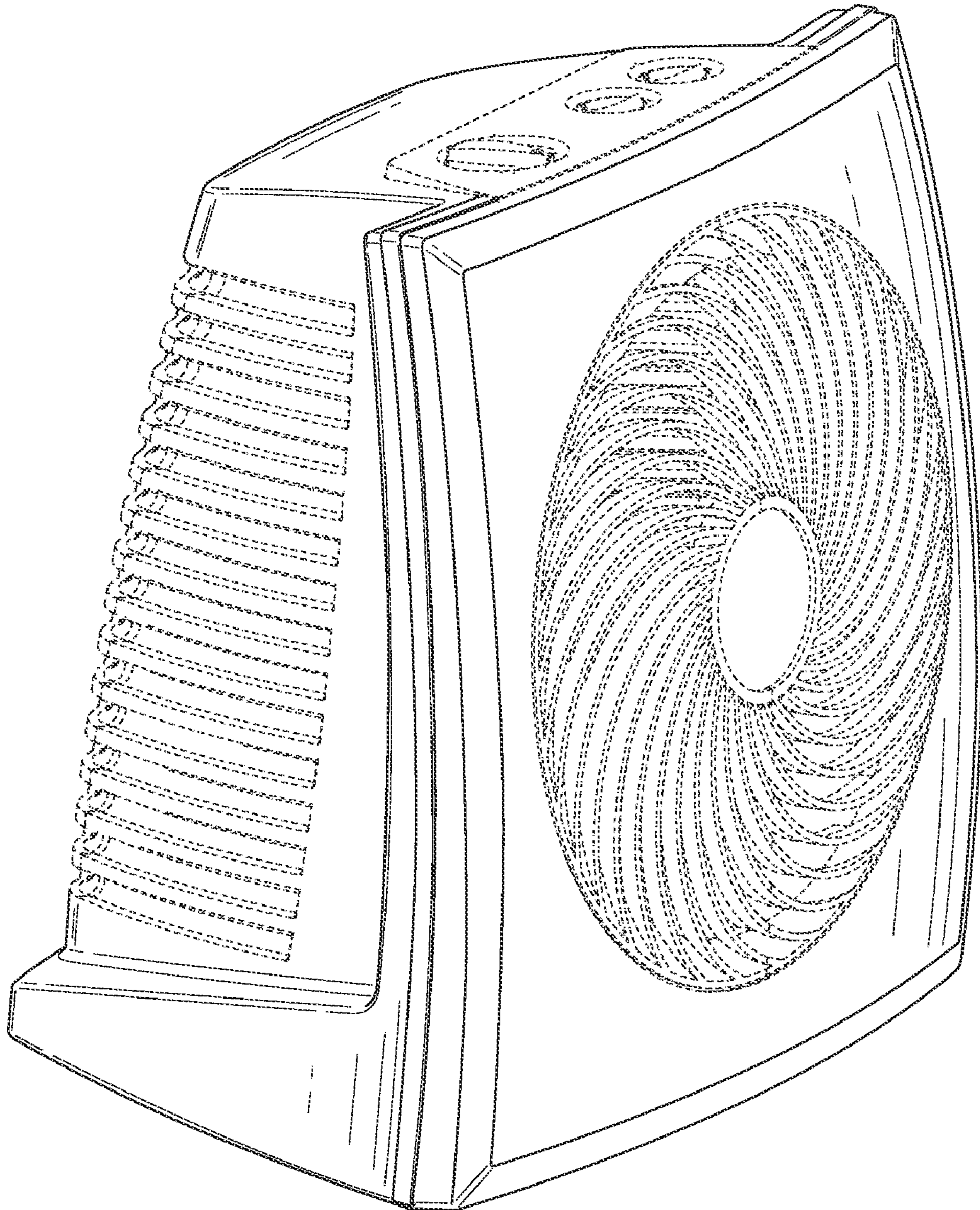


FIG. 1



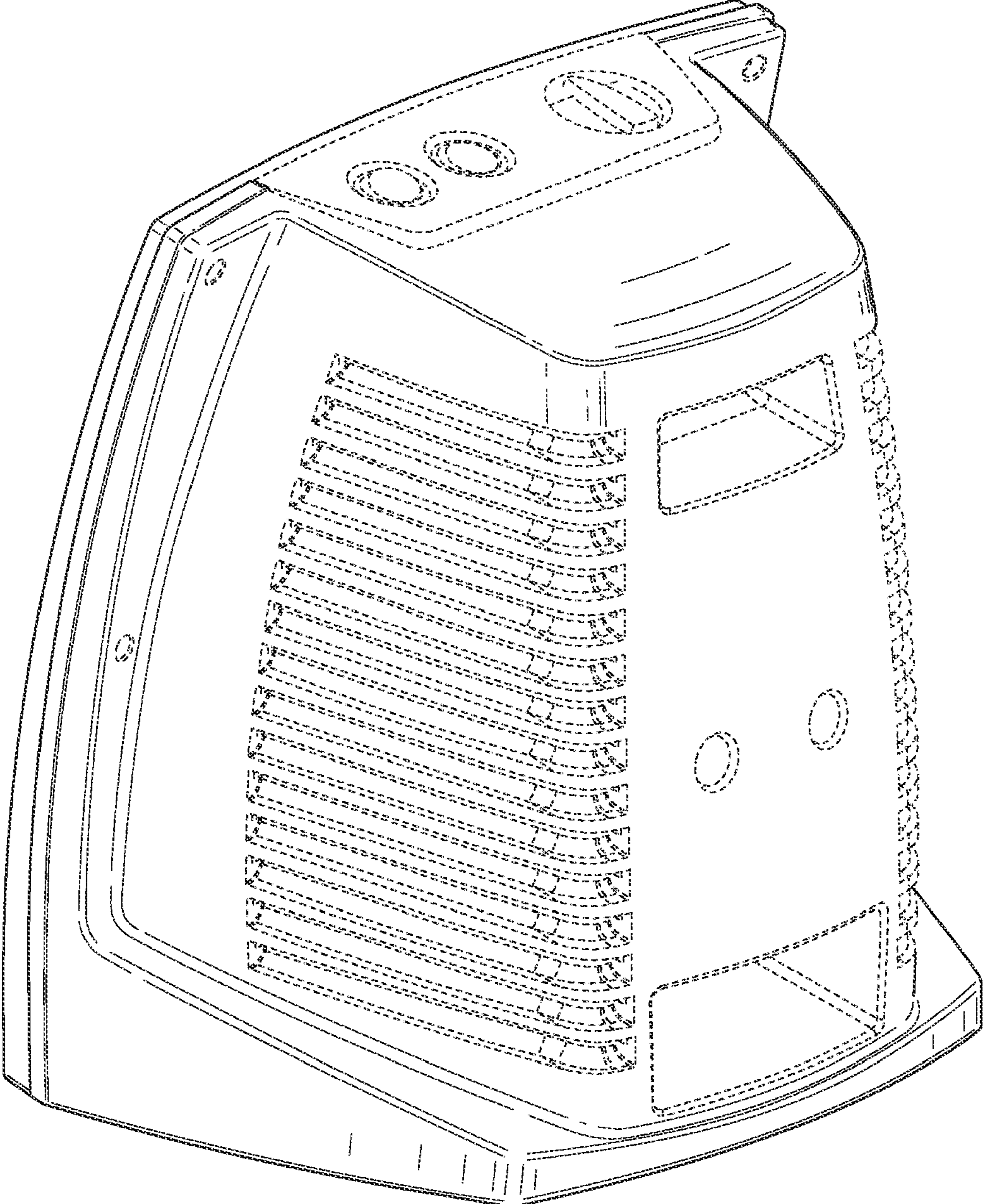


FIG. 2

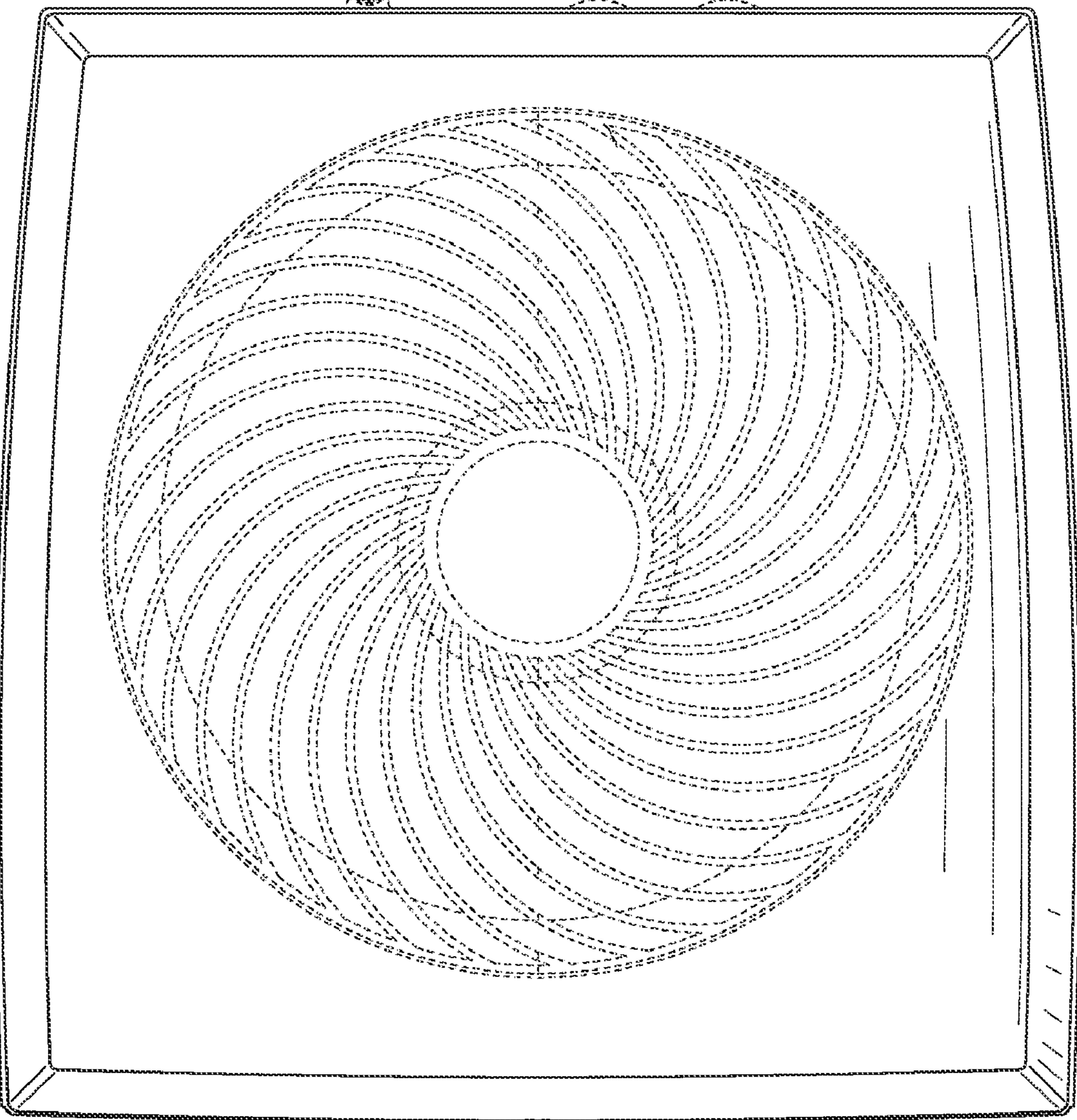


FIG. 3

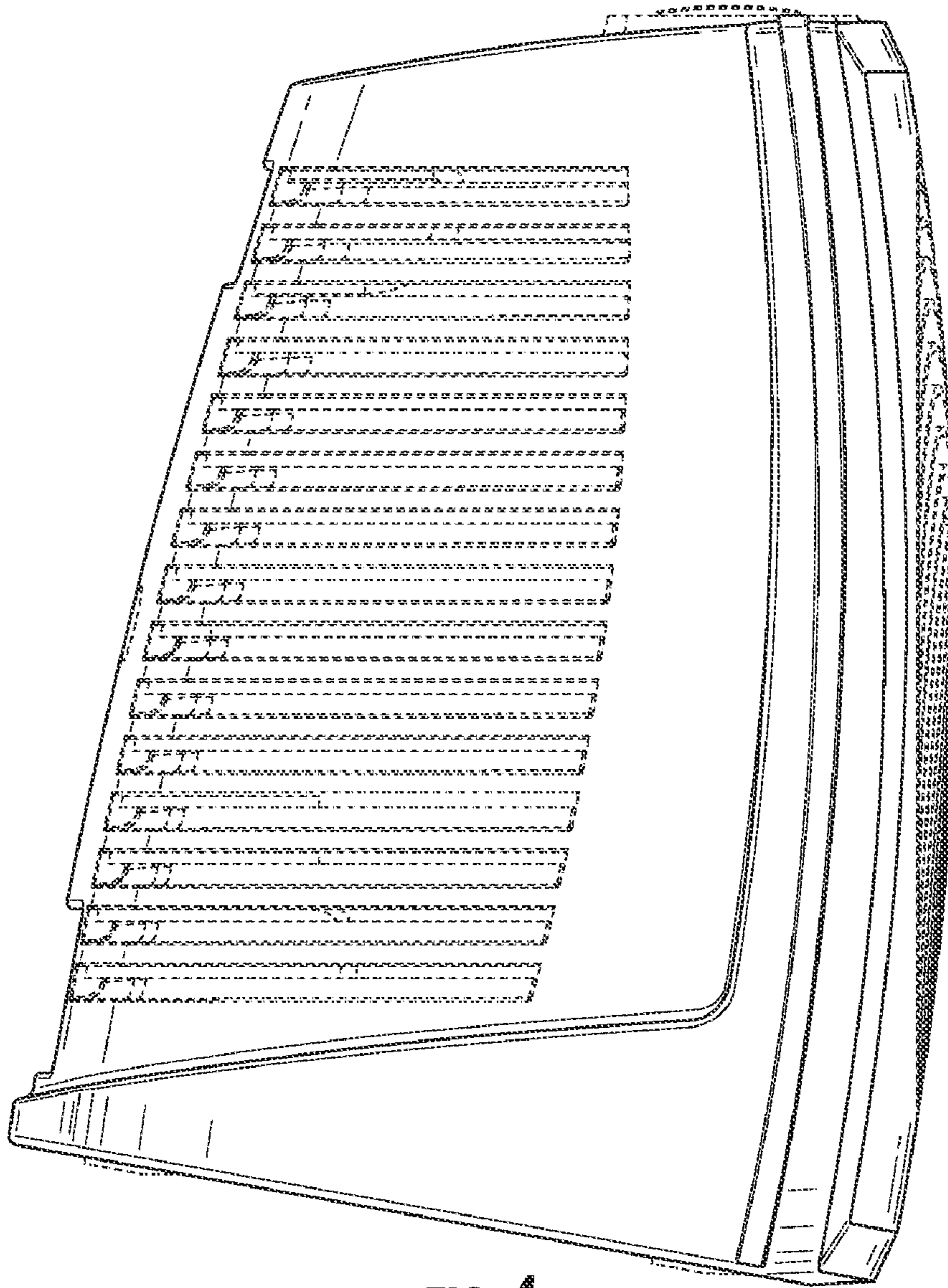


FIG. 4



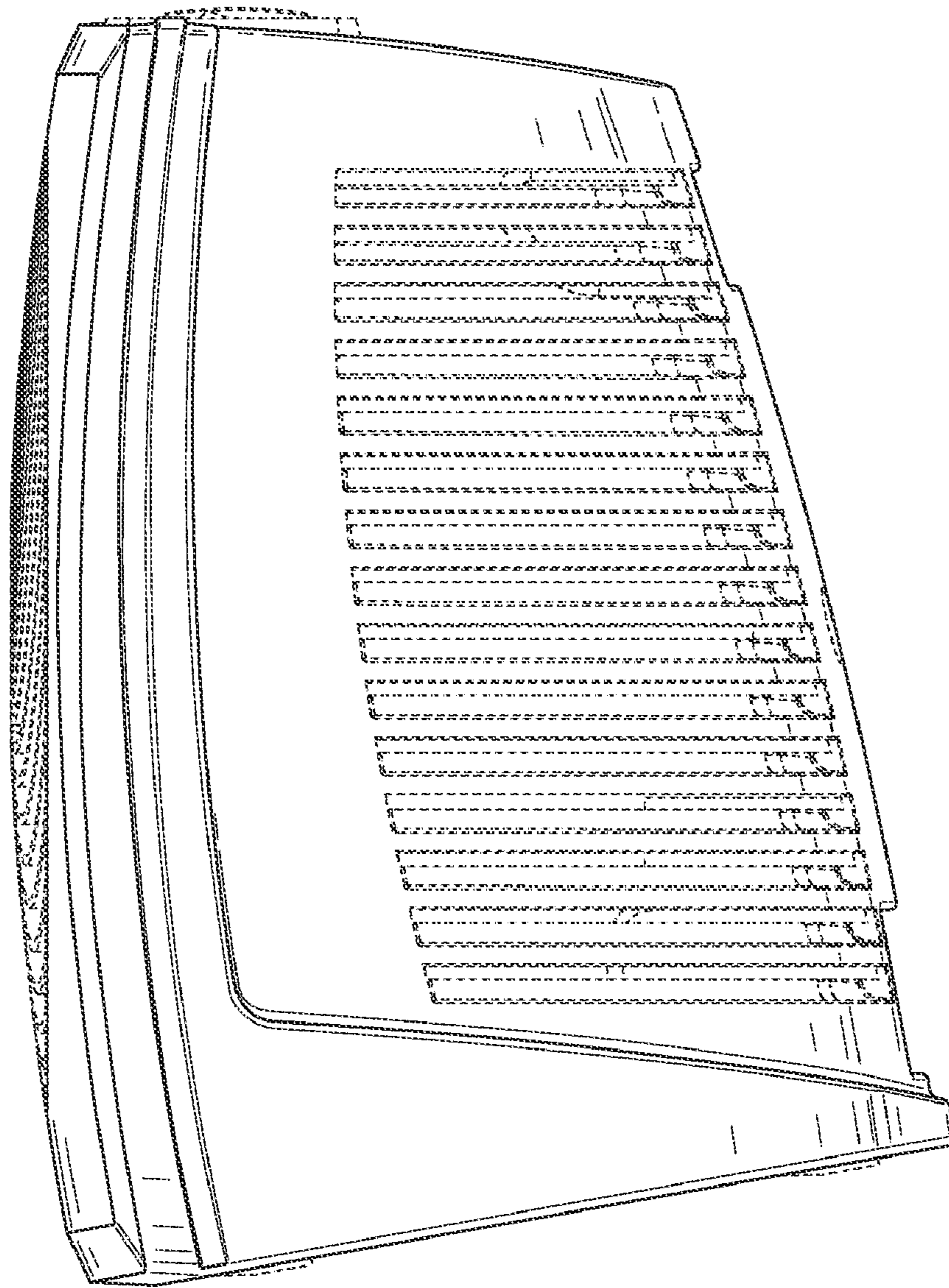


FIG. 5

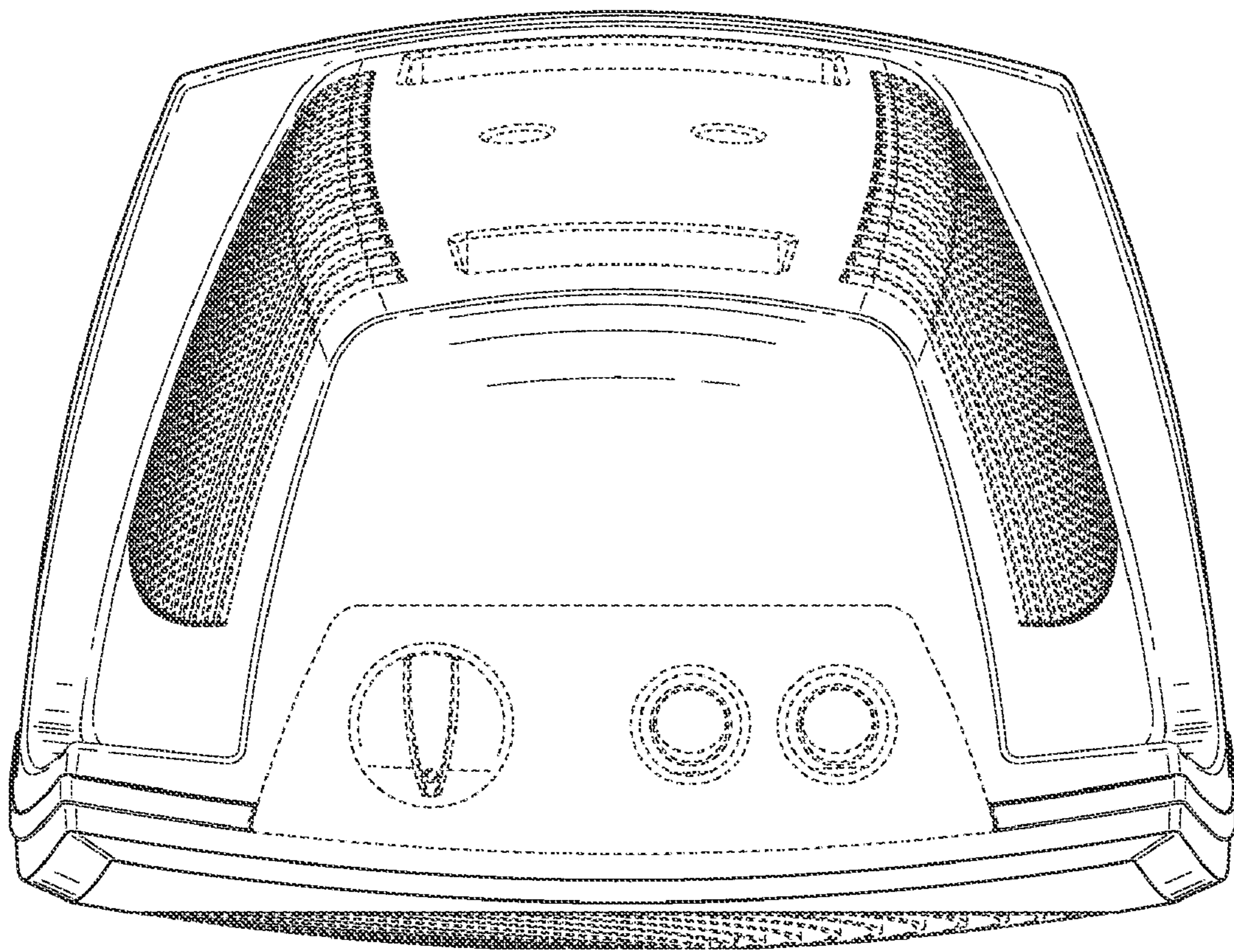


FIG. 6

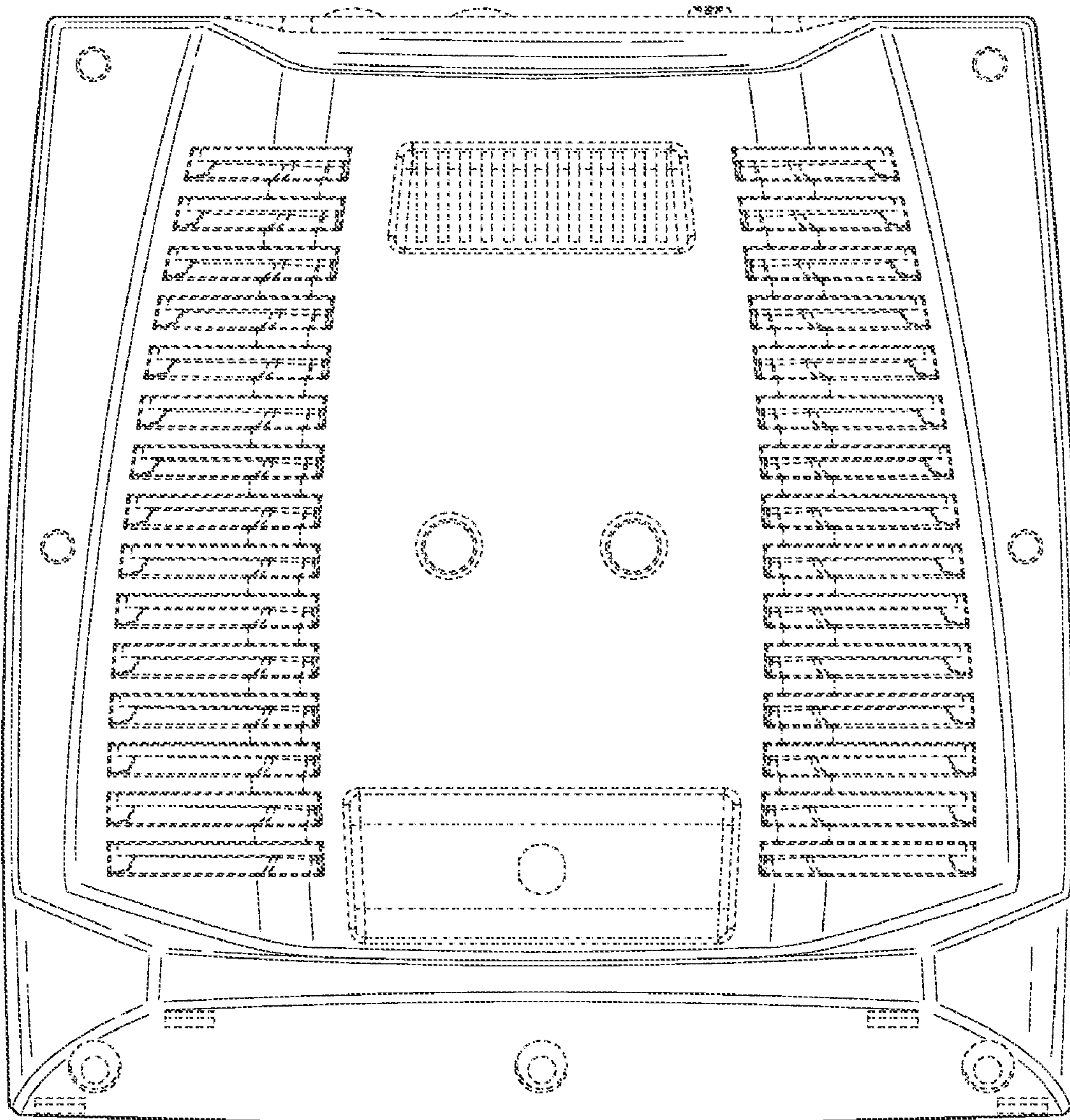


FIG. 7