



US00D636856S

(12) **United States Design Patent**
Wang

(10) **Patent No.:** **US D636,856 S**

(45) **Date of Patent:** **** Apr. 26, 2011**

(54) **TOILET**

(75) **Inventor:** **Jin Wang**, Taichung (TW)

(73) **Assignee:** **Globe Union Industrial Corp.**,
Taichung (TW)

(**) **Term:** **14 Years**

(21) **Appl. No.:** **29/355,562**

(22) **Filed:** **Feb. 10, 2010**

(51) **LOC (9) Cl.** **23-02**

(52) **U.S. Cl.** **D23/301**

(58) **Field of Classification Search** D23/295,
D23/301, 303, 309, 313; 4/300, 329, 353

See application file for complete search history.

(56) **References Cited**

U.S. PATENT DOCUMENTS

D422,065 S * 3/2000 Kawamura D23/301
D603,943 S * 11/2009 Slothower et al. D23/295

* cited by examiner

Primary Examiner — Robert A Delehanty

(74) *Attorney, Agent, or Firm* — Leong C. Lei

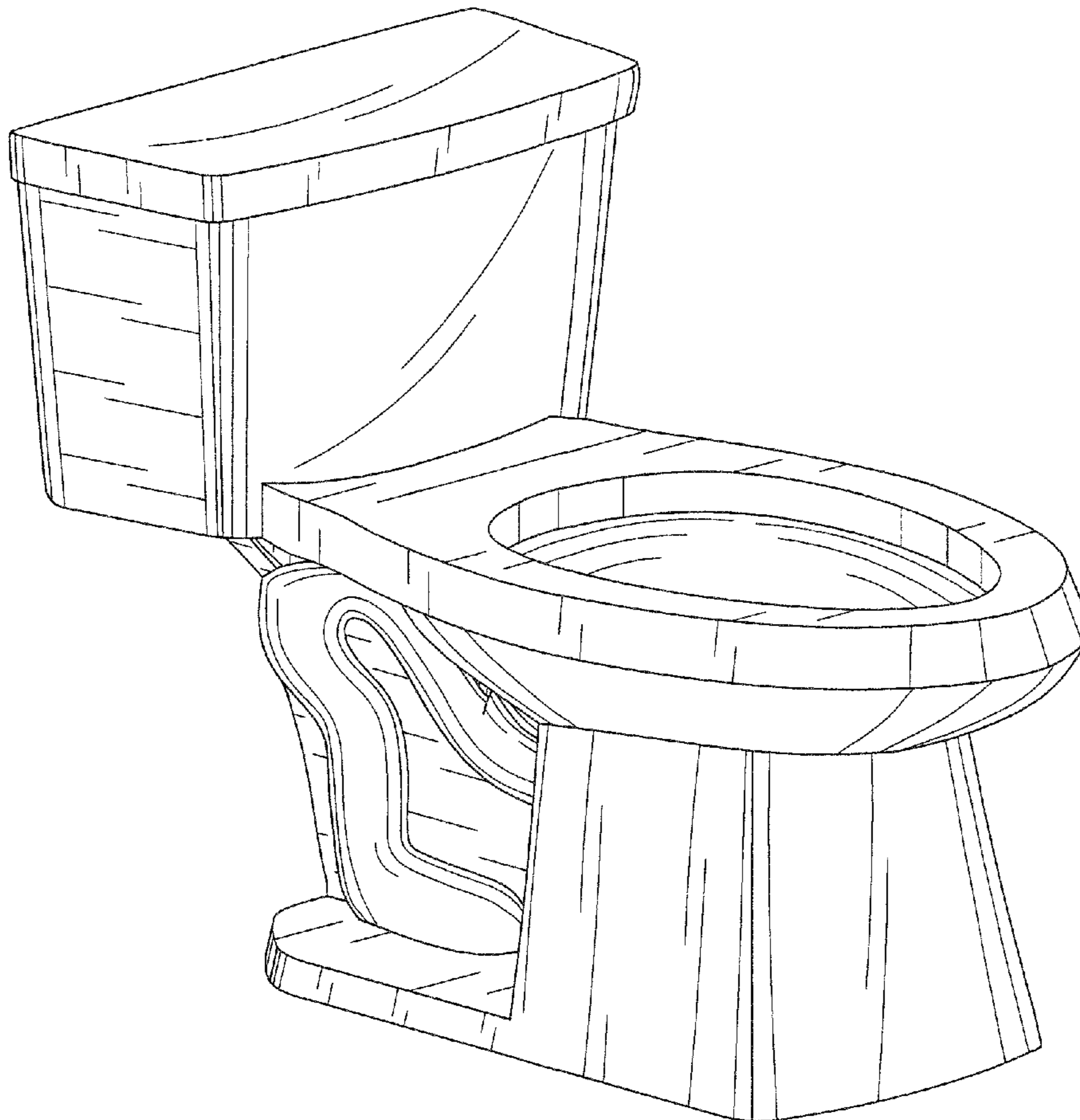
(57) **CLAIM**

The ornamental design for a toilet, as shown and described.

DESCRIPTION

FIG. 1 is a perspective view of a toilet showing my new design;
FIG. 2 is a front elevational view thereof;
FIG. 3 is a rear elevational view thereof;
FIG. 4 is a left side elevational view thereof;
FIG. 5 is a right side elevational view thereof; and,
FIG. 6 is a top plan view thereof.

1 Claim, 6 Drawing Sheets



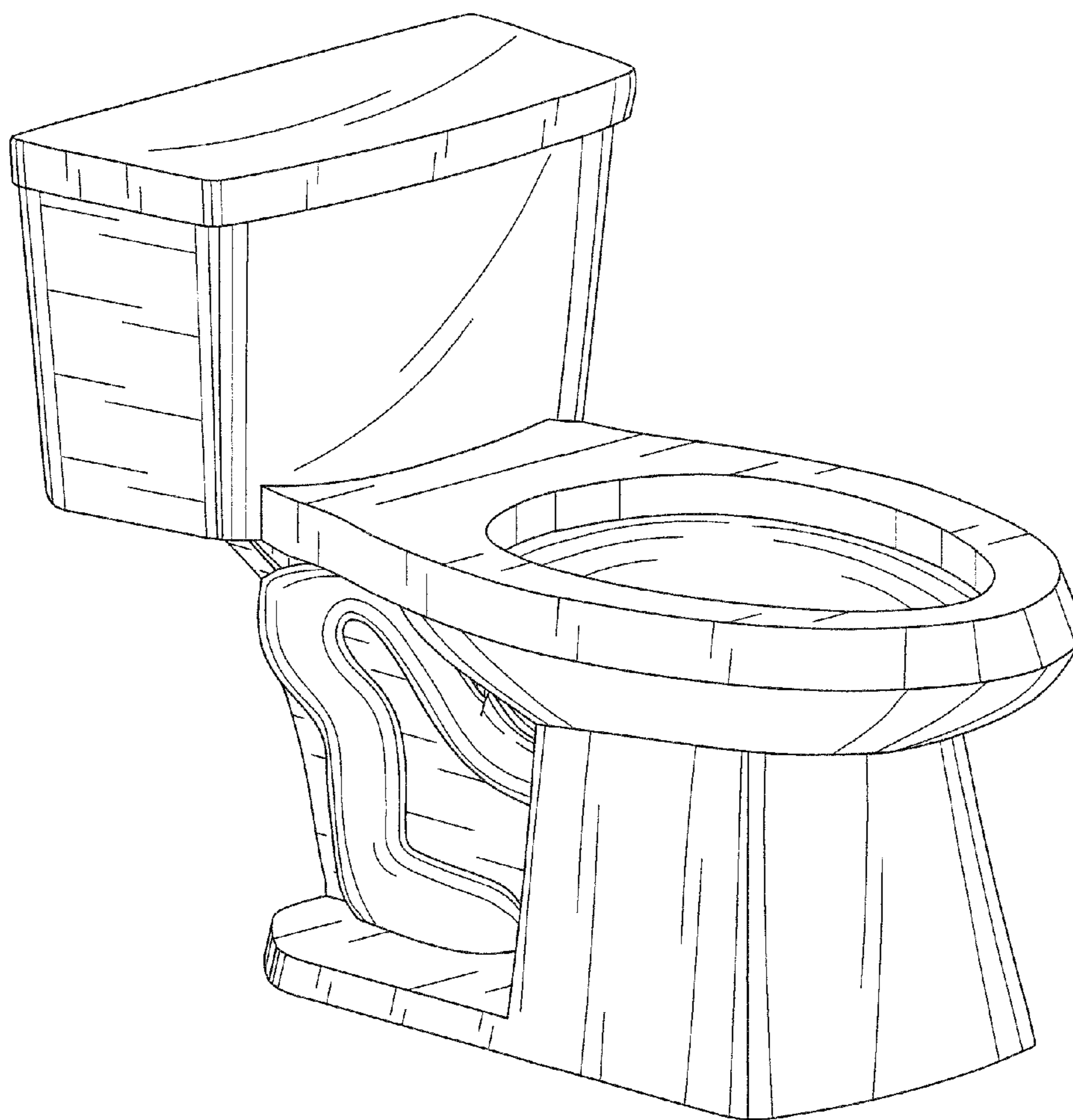


FIG. 1

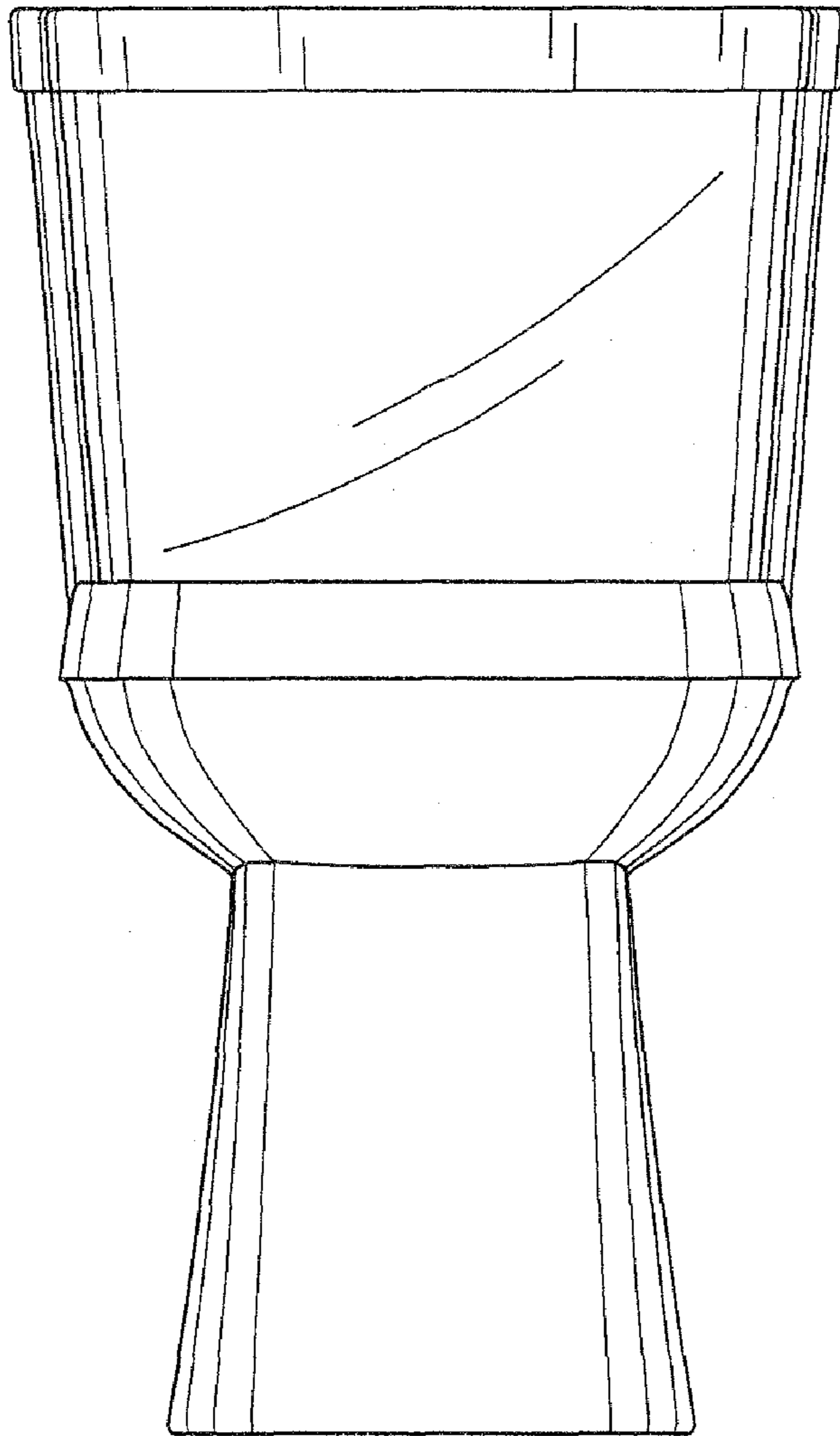


FIG. 2

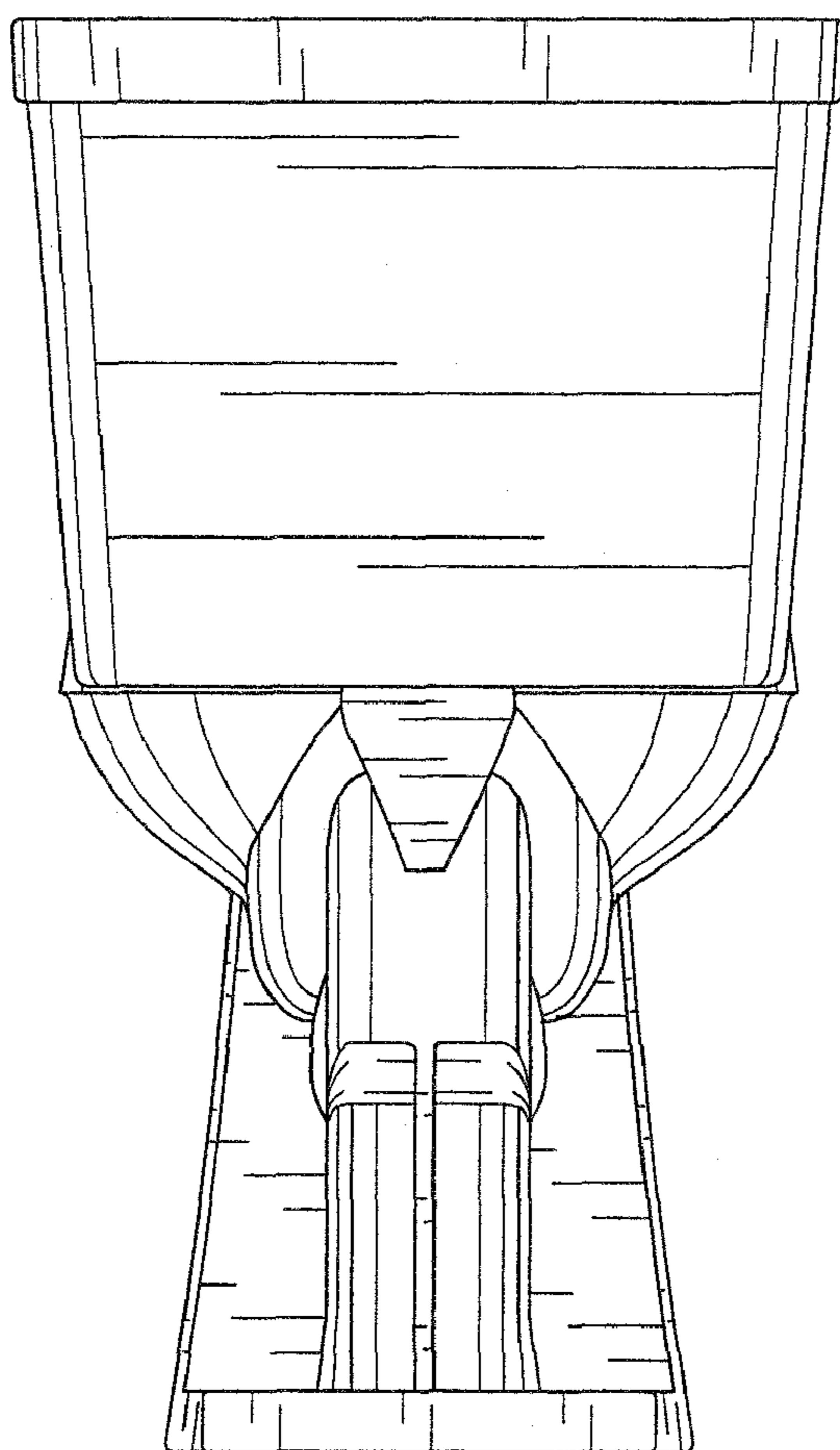


FIG. 3

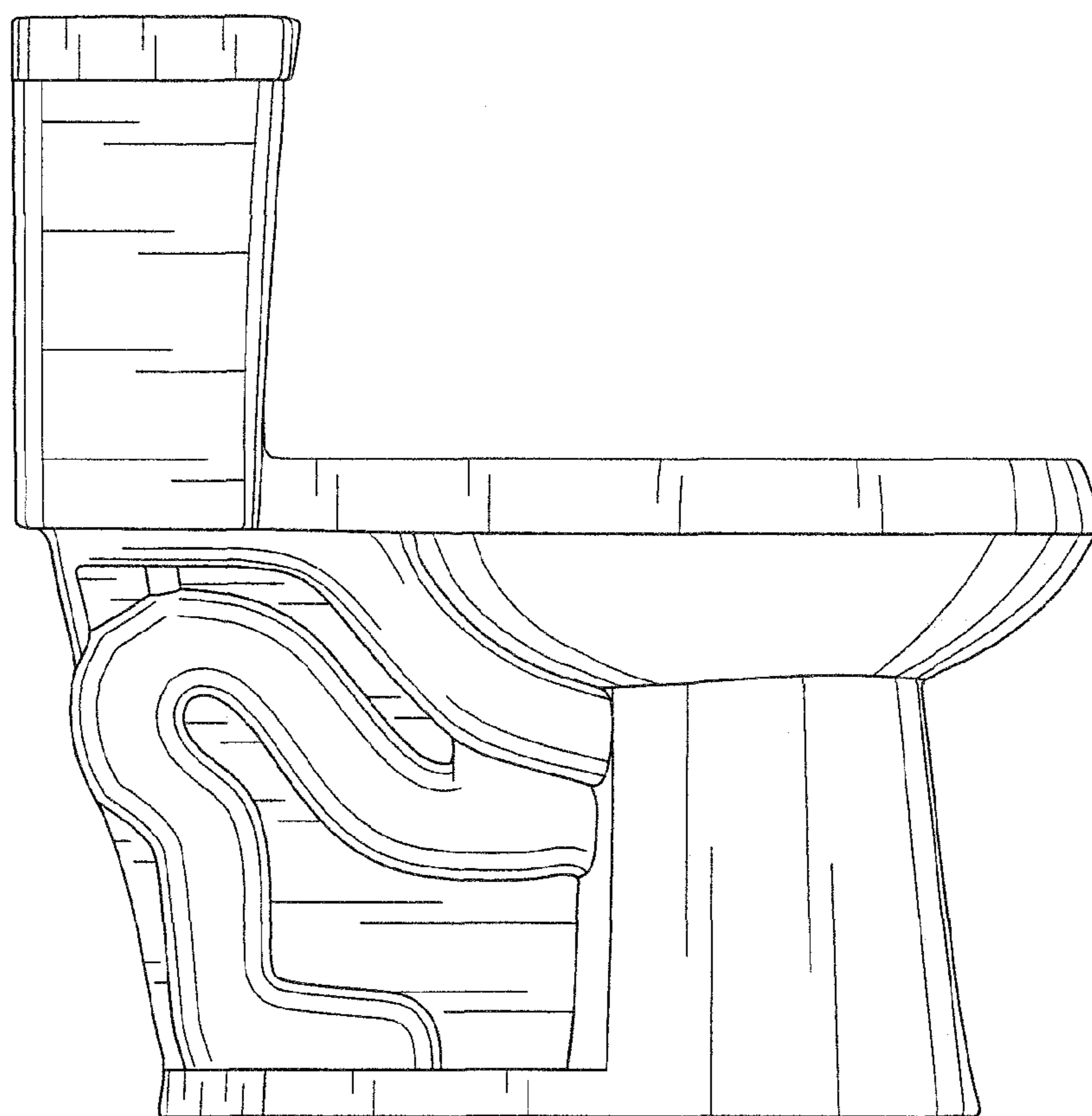


FIG. 4

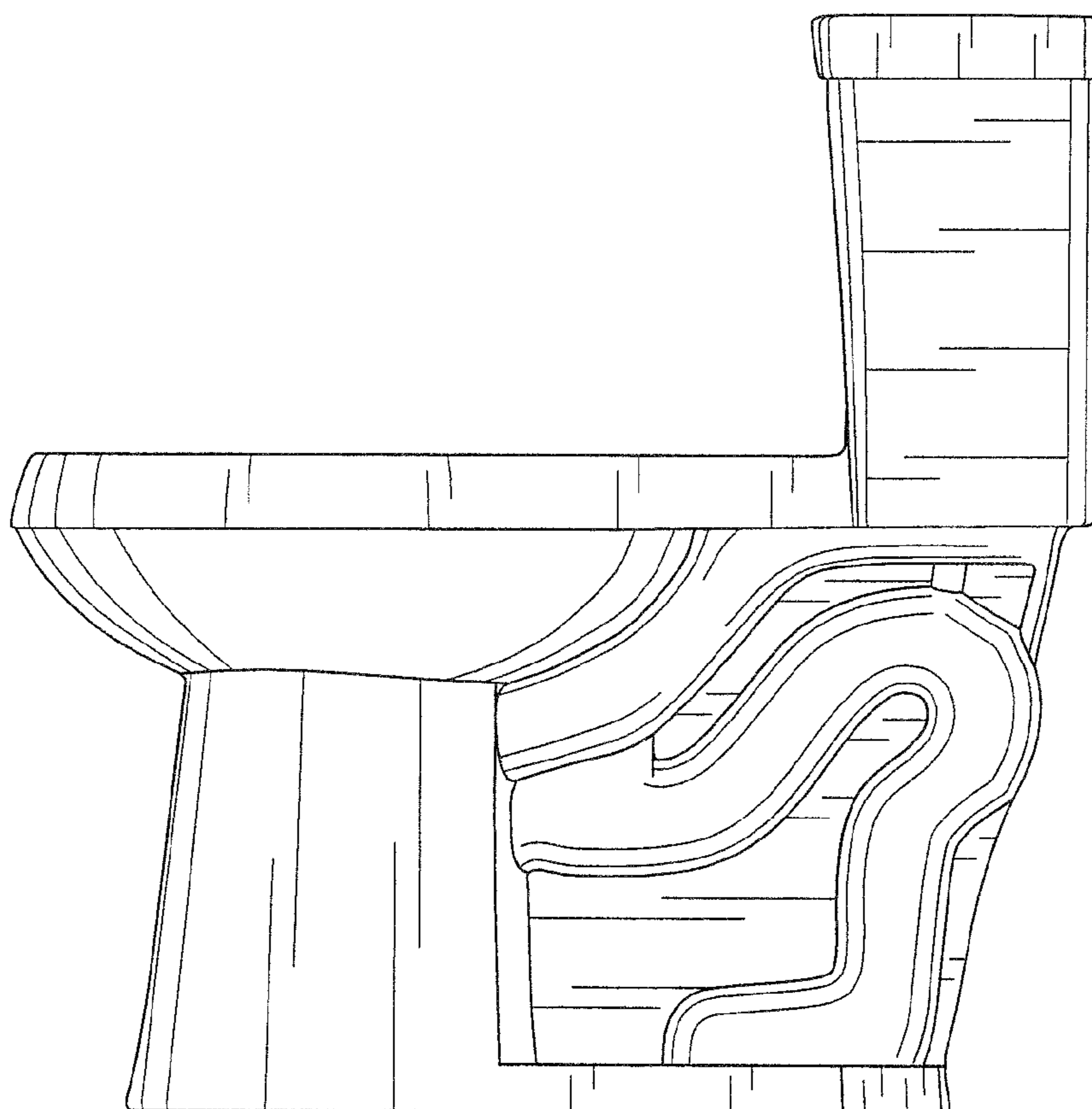


FIG. 5

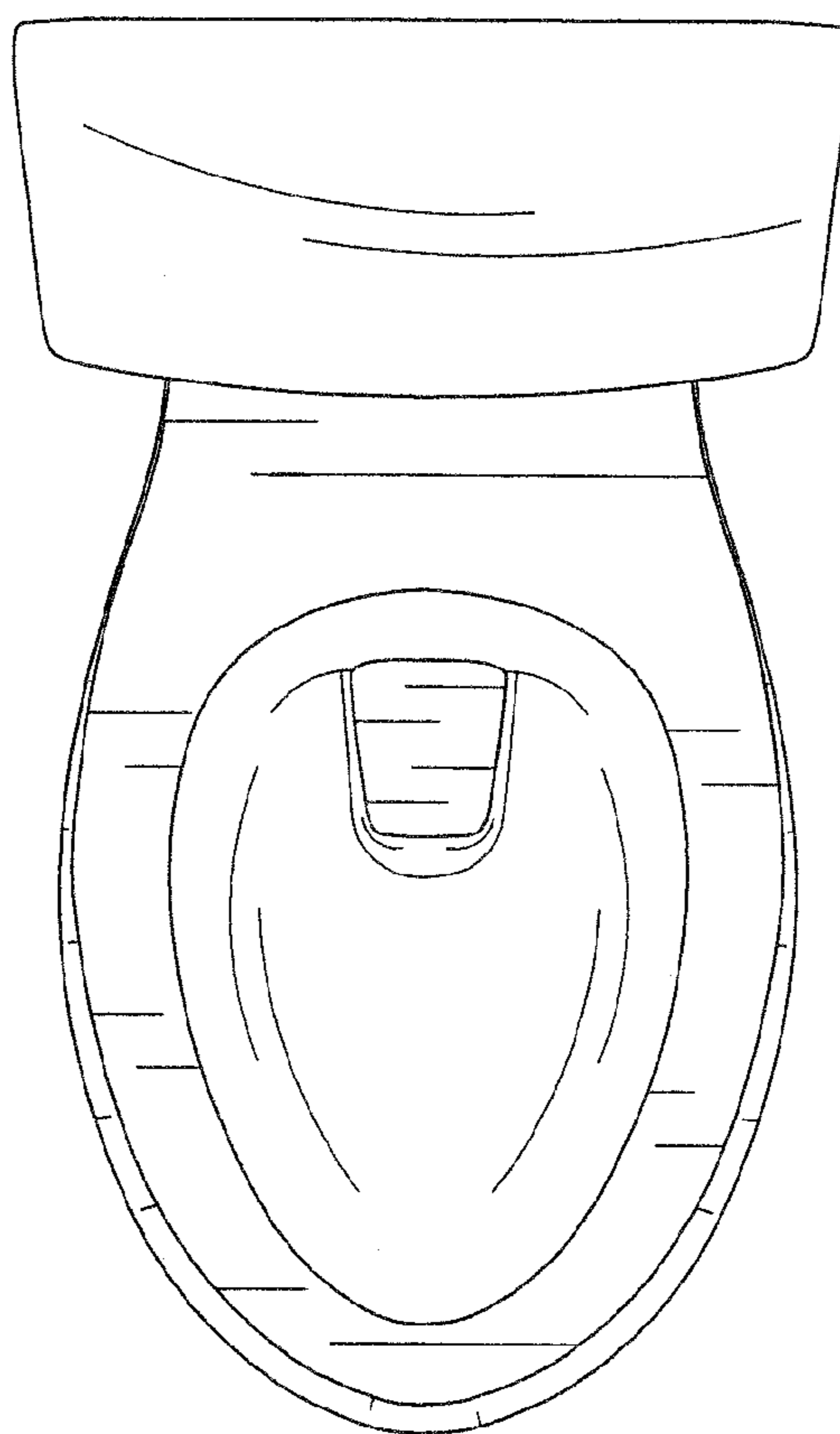


FIG. 6