



US00D636855S

(12) **United States Design Patent**  
**Thomas**

(10) **Patent No.:** **US D636,855 S**

(45) **Date of Patent:** **\*\* Apr. 26, 2011**

(54) **SINK**

(75) **Inventor:** **Carter J. Thomas**, Branchburg, NJ (US)

(73) **Assignee:** **AS IP Holdco, L.L.C.**, Piscataway, NJ (US)

(\*\*) **Term:** **14 Years**

(21) **Appl. No.:** **29/358,660**

(22) **Filed:** **Mar. 30, 2010**

(51) **LOC (9) Cl.** ..... **23-02**

(52) **U.S. Cl.** ..... **D23/293.1**

(58) **Field of Classification Search** ..... D23/284,  
D23/292, 308, 293.1; 4/619, 646  
See application file for complete search history.

(56) **References Cited**

**U.S. PATENT DOCUMENTS**

- D463,538 S \* 9/2002 Chipperfield ..... D23/284
- D589,128 S \* 3/2009 Mitrani ..... D23/284
- D598,082 S \* 8/2009 Booth ..... D23/284

- D603,486 S \* 11/2009 Mayer et al. .... D23/293.1
- D607,979 S \* 1/2010 Jiang et al. .... D23/293.1
- D612,025 S \* 3/2010 Tanus ..... D23/293.1

\* cited by examiner

*Primary Examiner* — Robert A Delehanty

(74) *Attorney, Agent, or Firm* — Flaster/Greenberg P.C.

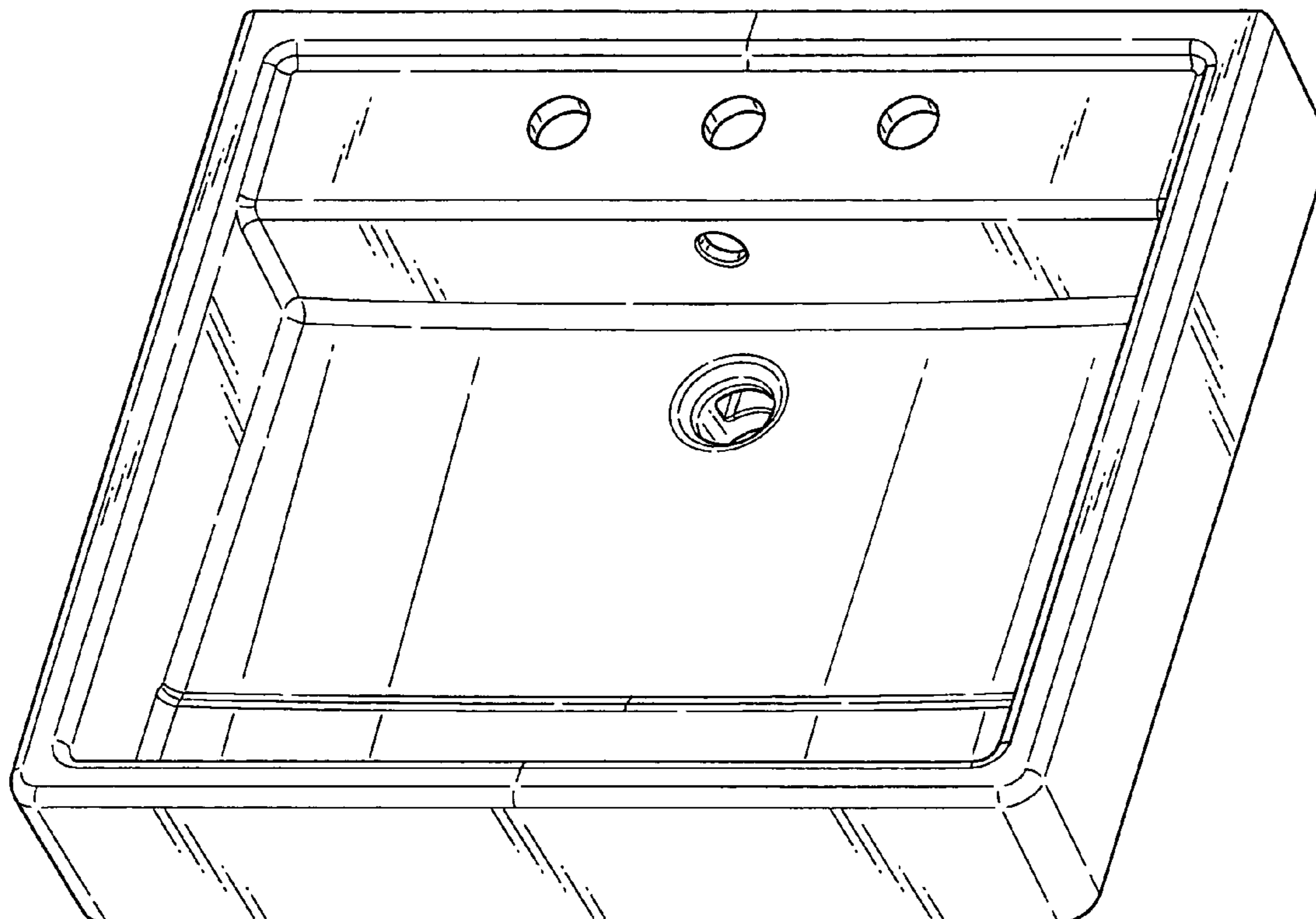
(57) **CLAIM**

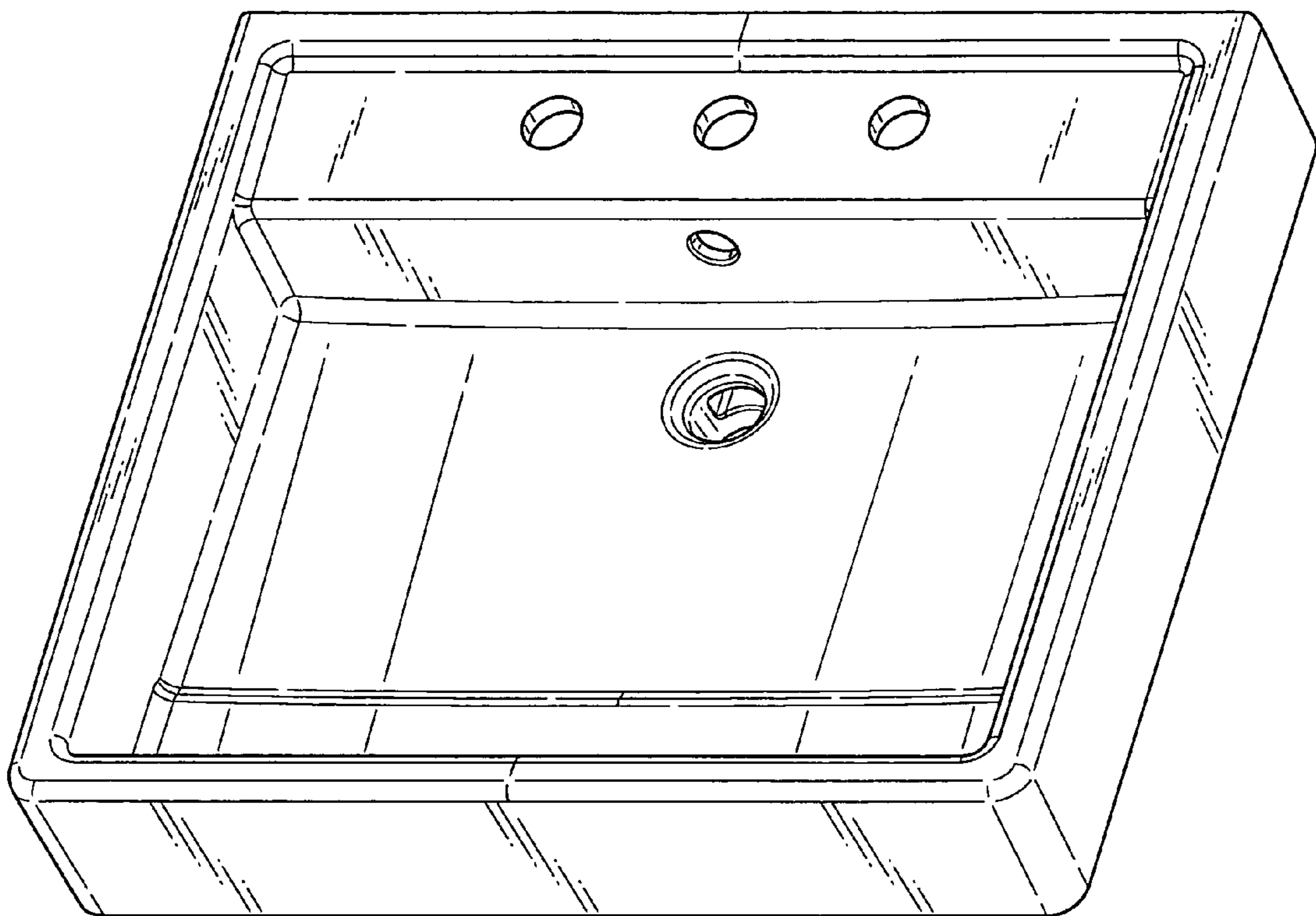
The ornamental design for a sink, as shown and described.

**DESCRIPTION**

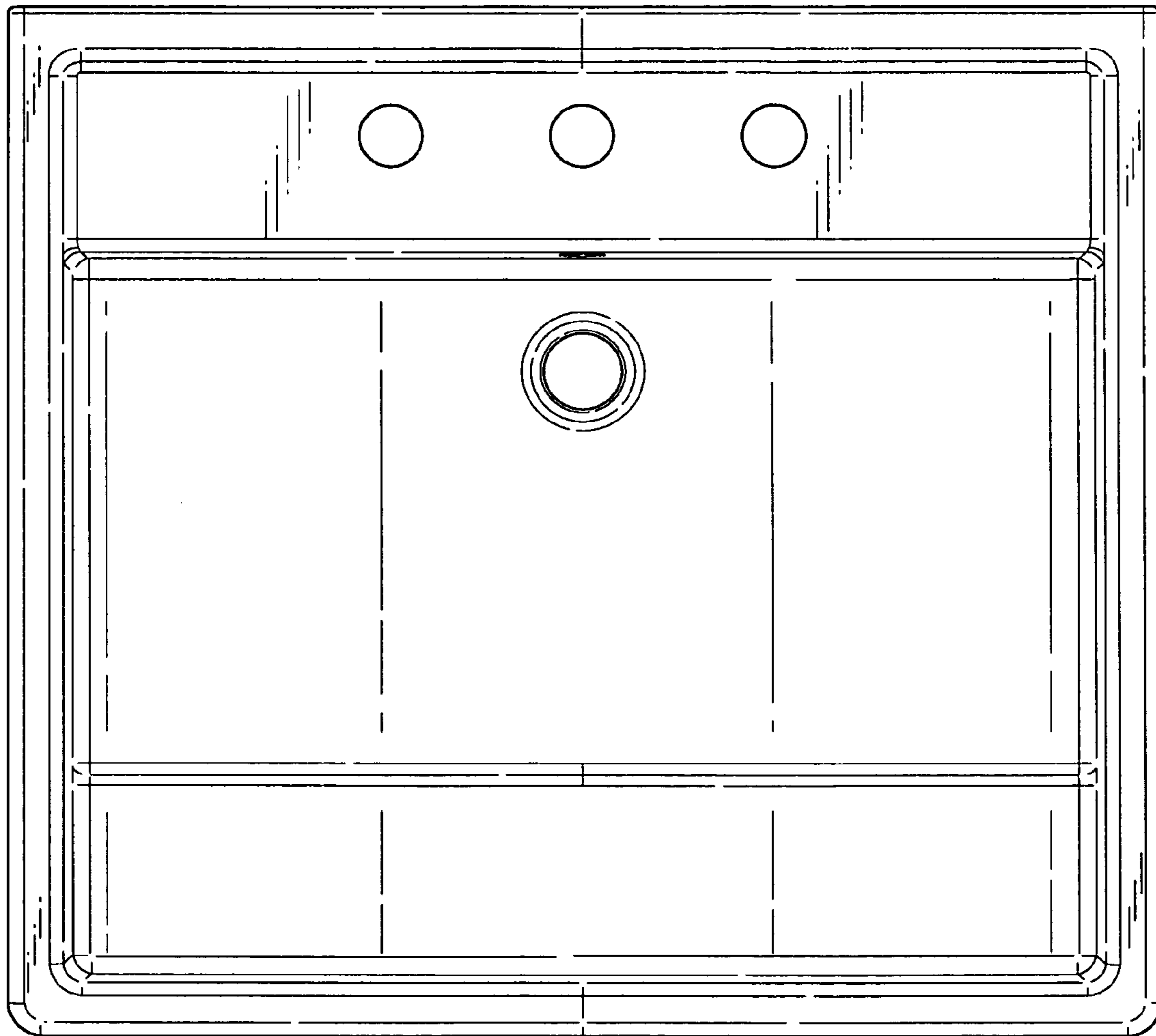
FIG. 1 is a perspective view of a sink;  
 FIG. 2 is a top plan view of the sink of FIG. 1;  
 FIG. 3 is a bottom plan view of the sink of FIG. 1;  
 FIG. 4 is a front view of the sink of FIG. 1;  
 FIG. 5 is a rear elevational view of the sink of FIG. 1;  
 FIG. 6 is a left side view of the sink of FIG. 1; and,  
 FIG. 7 is a right side view of the sink of FIG. 1.  
 The broken lines showing the bottom and back views are included for the purpose of illustrating a portion of the sink that forms no part of the claimed design.

**1 Claim, 4 Drawing Sheets**

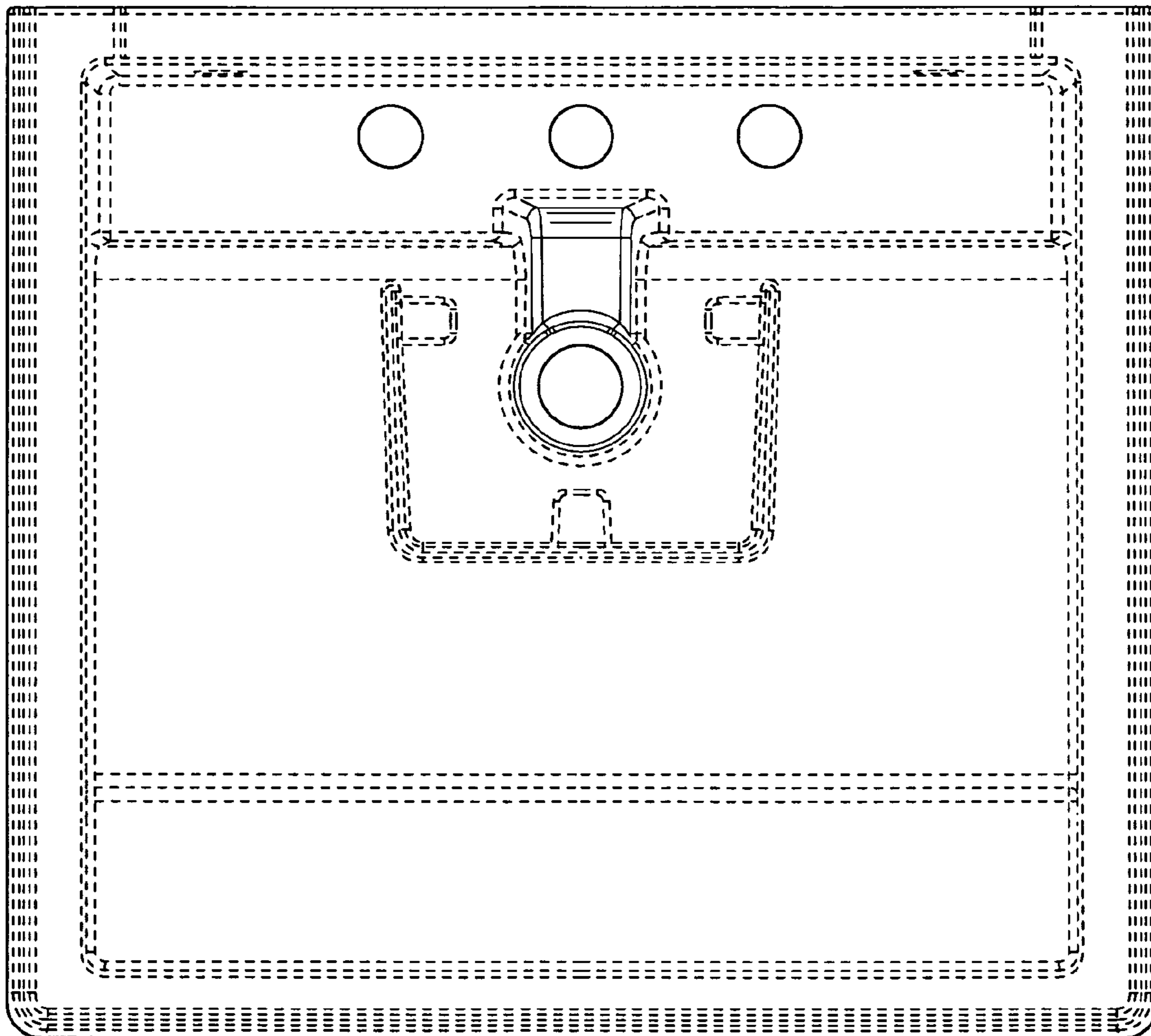




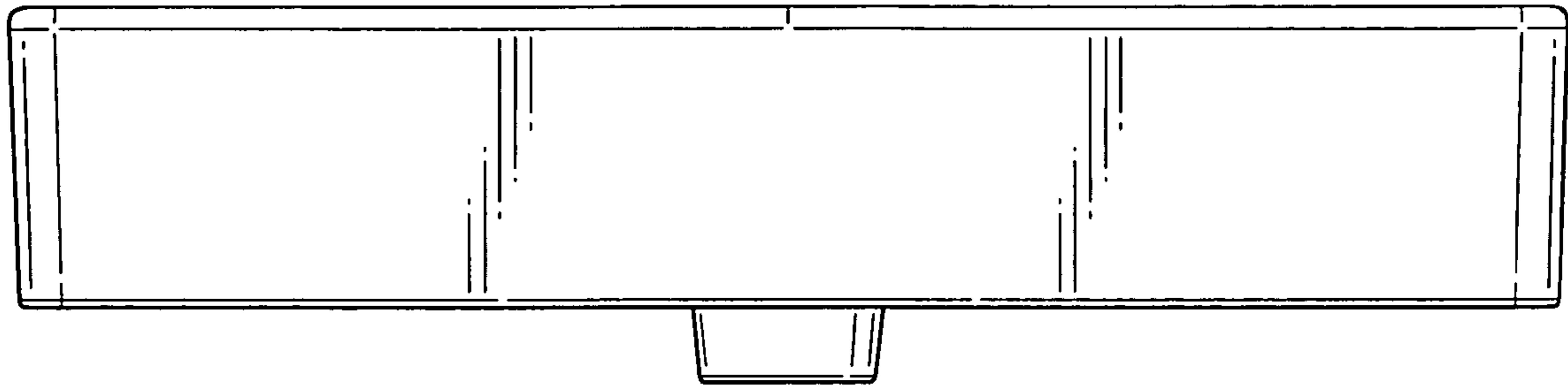
*FIG. 1*



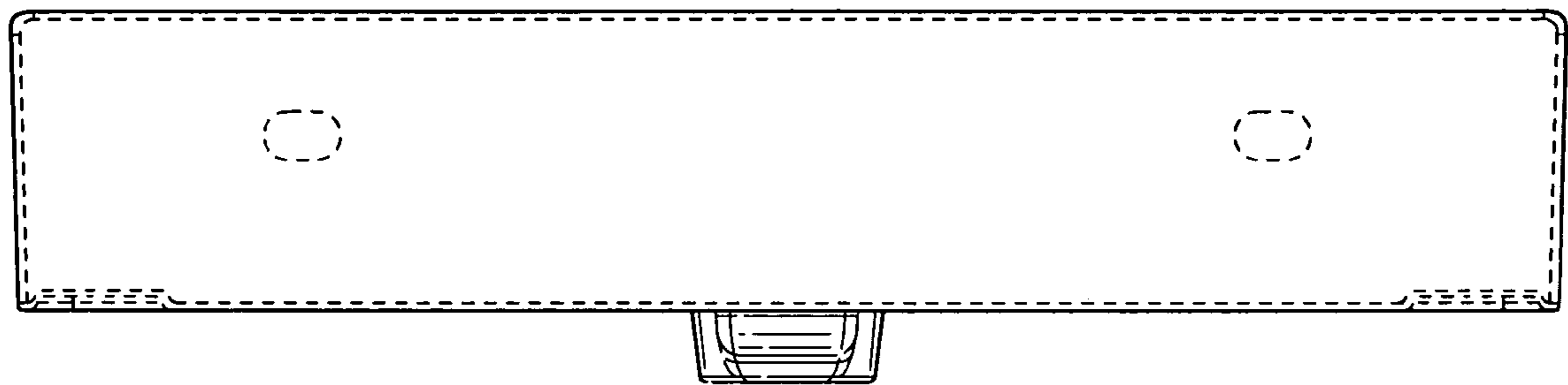
*FIG. 2*



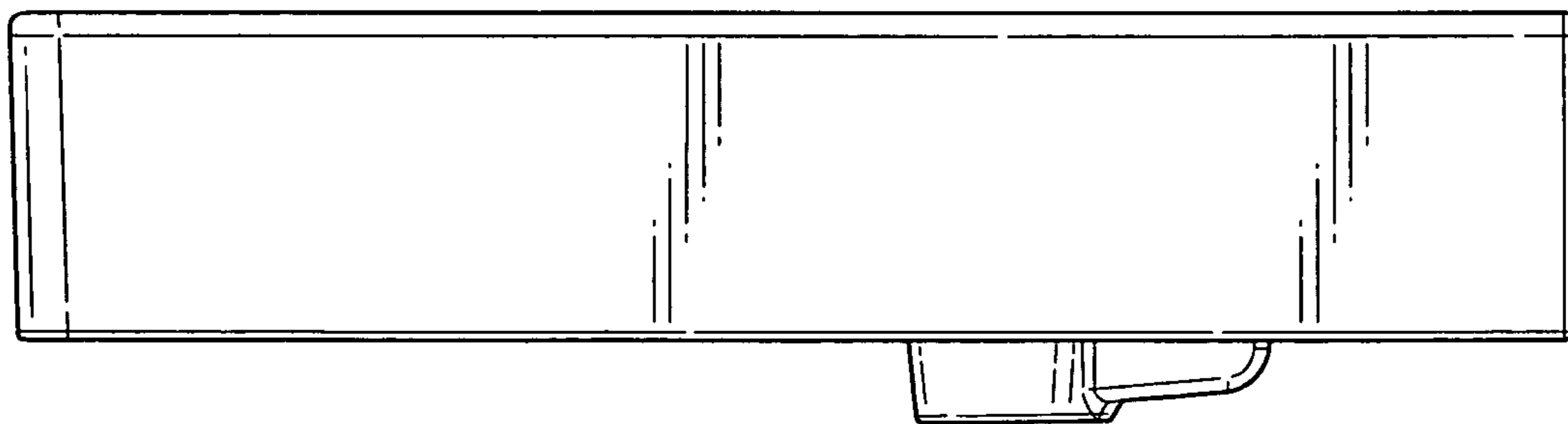
*FIG. 3*



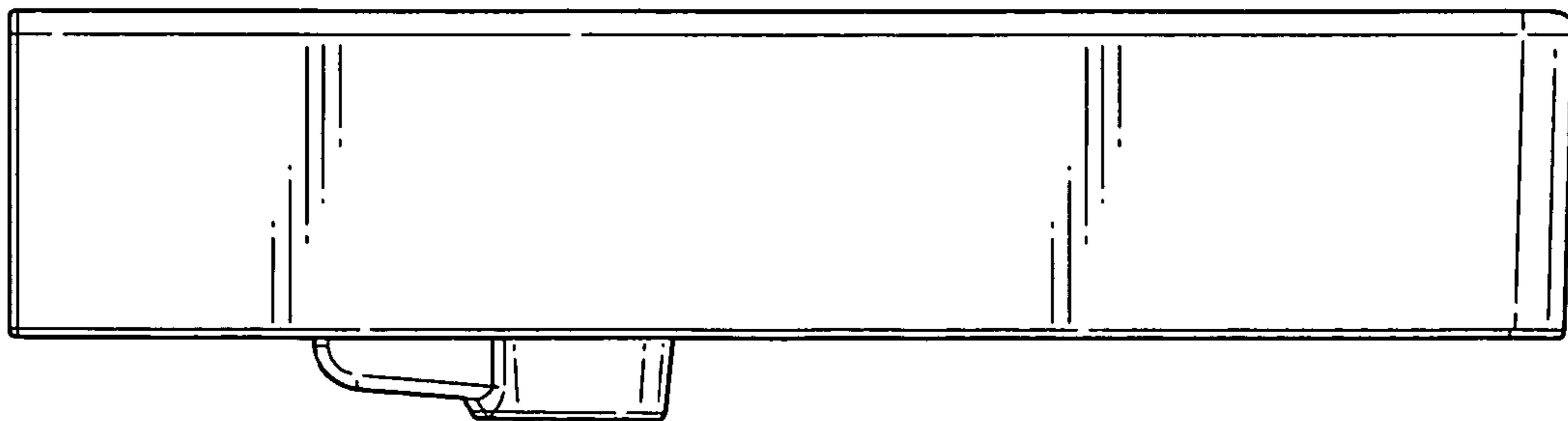
*FIG. 4*



*FIG. 5*



*FIG. 6*



*FIG. 7*