



US00D636849S

(12) **United States Design Patent**
Yoo et al.

(10) **Patent No.:** **US D636,849 S**
(45) **Date of Patent:** **** Apr. 26, 2011**

(54) **SHOWERHEAD**

(75) Inventors: **Man Ki Yoo**, Skokie, IL (US); **Julian Giggs**, Hillsdale, MI (US); **Michael Miller**, Portage, MI (US)

(73) Assignee: **Alsons Corporation**, Hillsdale, MI (US)

(**) Term: **14 Years**

(21) Appl. No.: **29/361,078**

(22) Filed: **May 5, 2010**

(51) **LOC (9) Cl.** **23-01**

(52) **U.S. Cl.** **D23/229; D23/213**

(58) **Field of Classification Search** D23/213,
D23/229, 230, 223; 4/615; 239/282-283
See application file for complete search history.

(56) **References Cited**

U.S. PATENT DOCUMENTS

D510,409 S * 10/2005 Xiang et al. D23/229
D555,761 S * 11/2007 Dingler et al. D23/213
D559,357 S * 1/2008 Wang et al. D23/229

D572,796 S * 7/2008 Genord et al. D23/229
D579,518 S * 10/2008 Shieh D23/229
D589,592 S * 3/2009 Genord et al. D23/213
D617,414 S * 6/2010 Sofield D23/213

* cited by examiner

Primary Examiner — Robin V Webster

(74) *Attorney, Agent, or Firm* — Edgar A. Zarins; Nirav D. Parikh

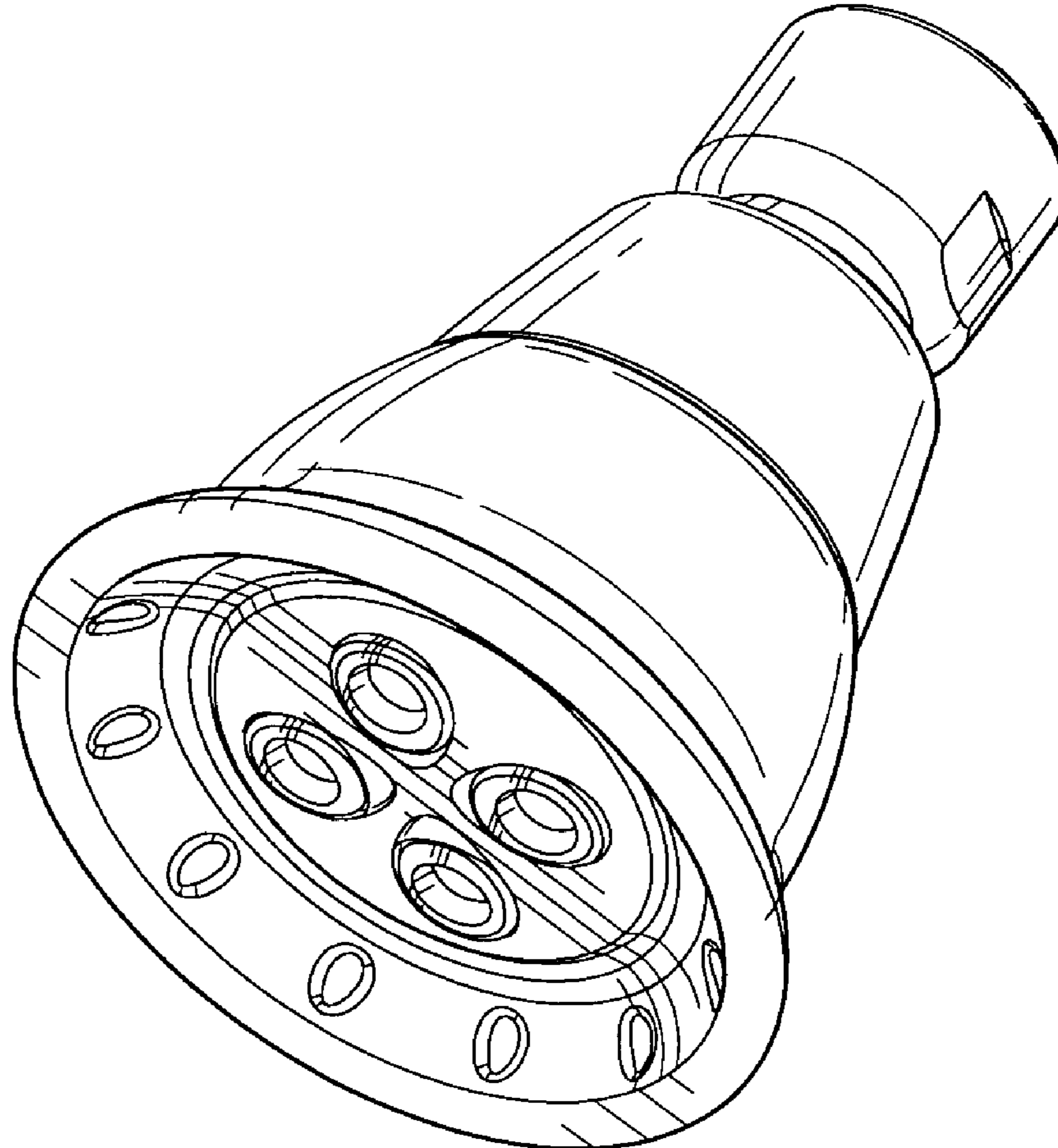
(57) **CLAIM**

The ornamental design for a showerhead, as shown and described.

DESCRIPTION

FIG. 1 is a perspective view of a showerhead showing our new design;
FIG. 2 is a front view thereof;
FIG. 3 is a rear view thereof;
FIG. 4 is a first side view thereof;
FIG. 5 is a second side view thereof;
FIG. 6 is a top plan view thereof; and,
FIG. 7 is a bottom plan view thereof.

1 Claim, 3 Drawing Sheets



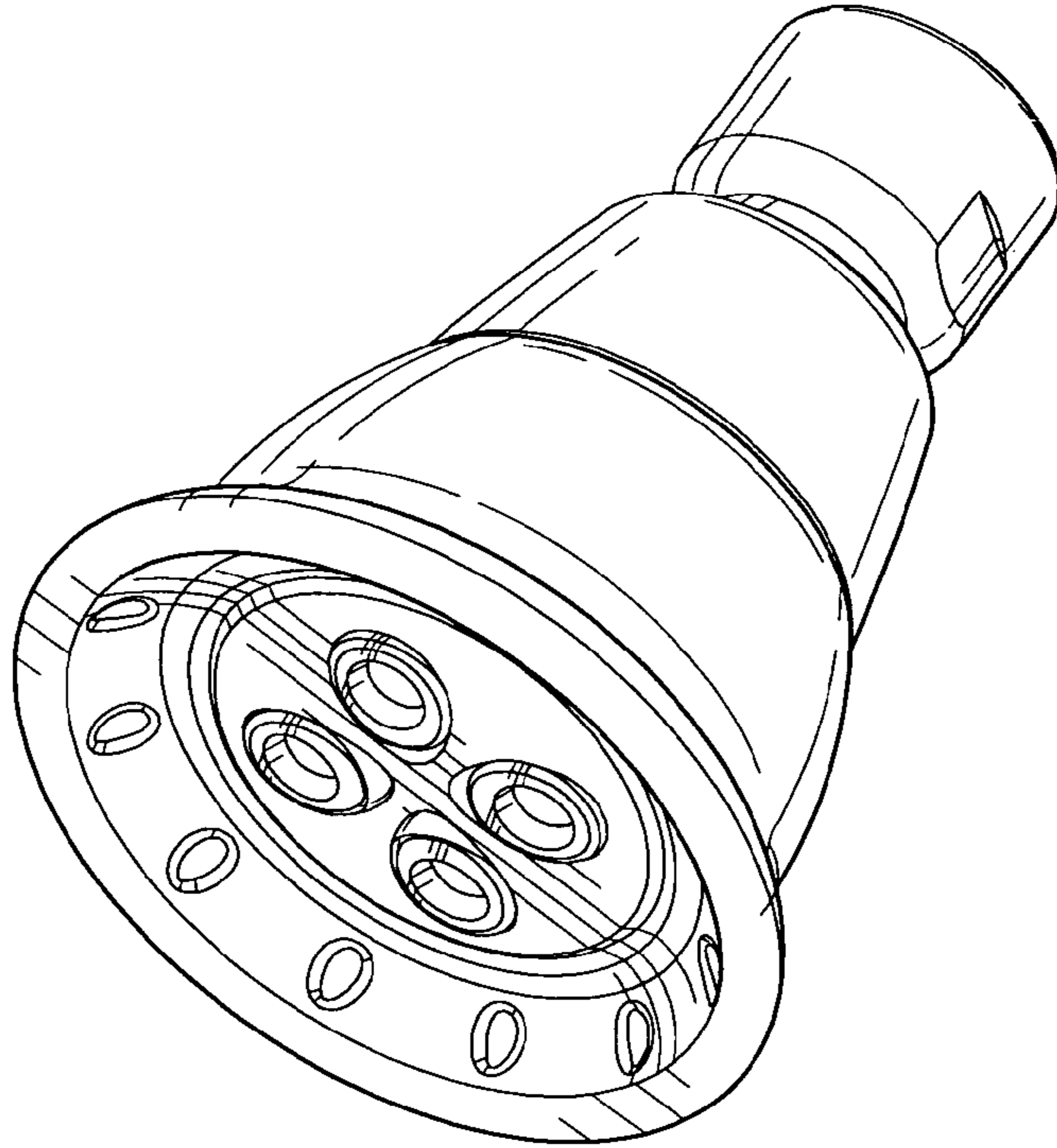


Fig-1

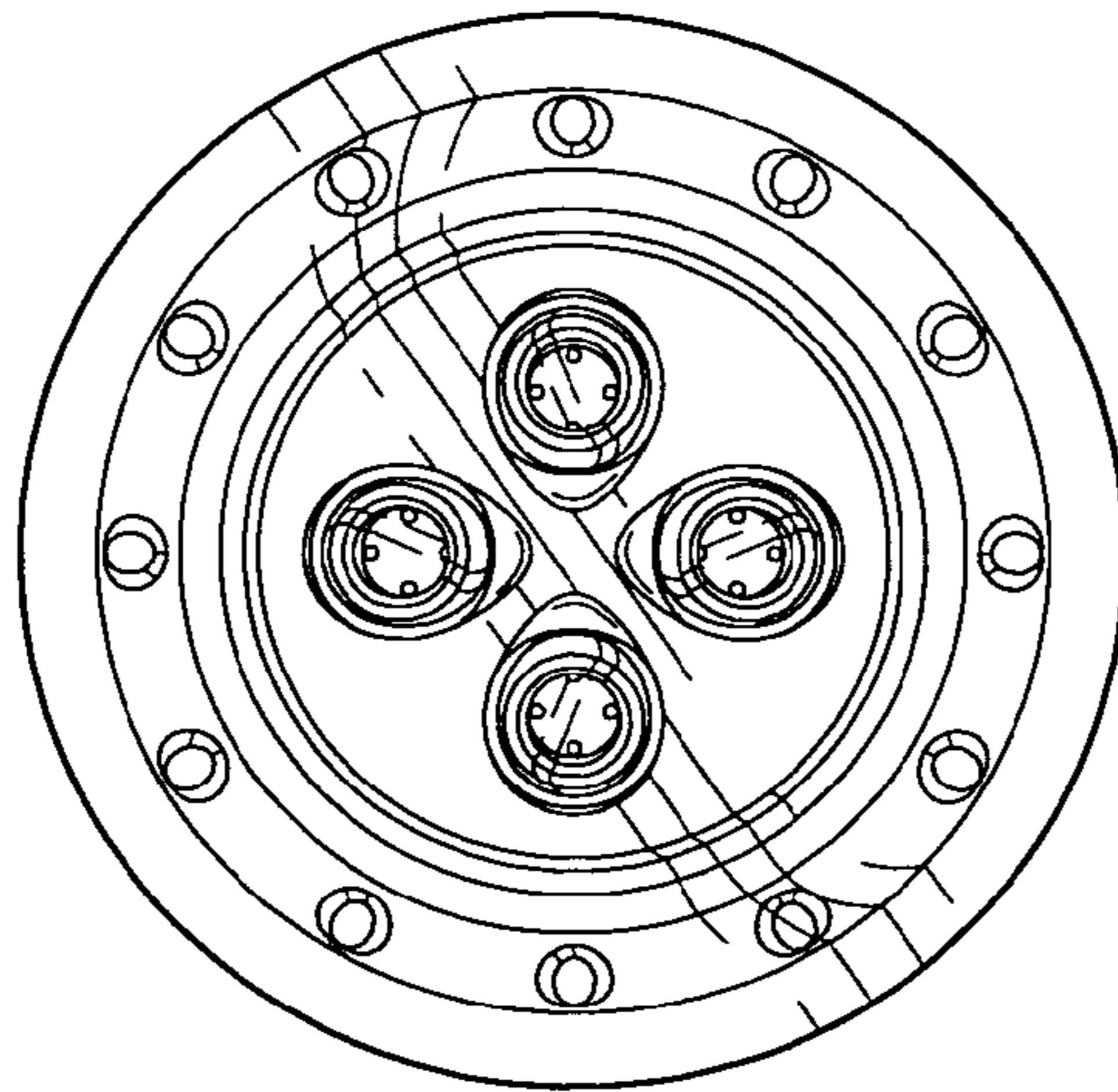


Fig-2

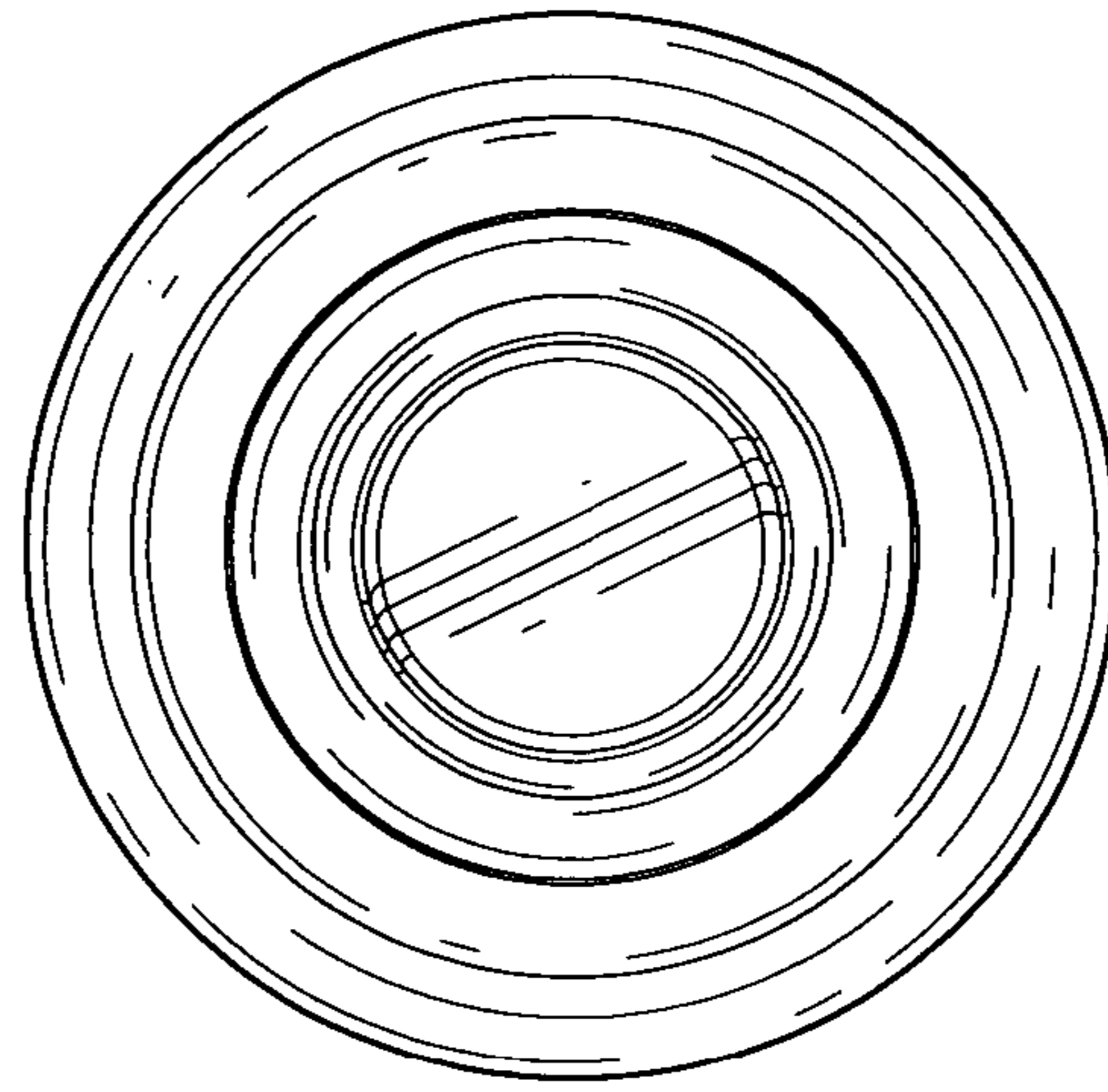


Fig-3

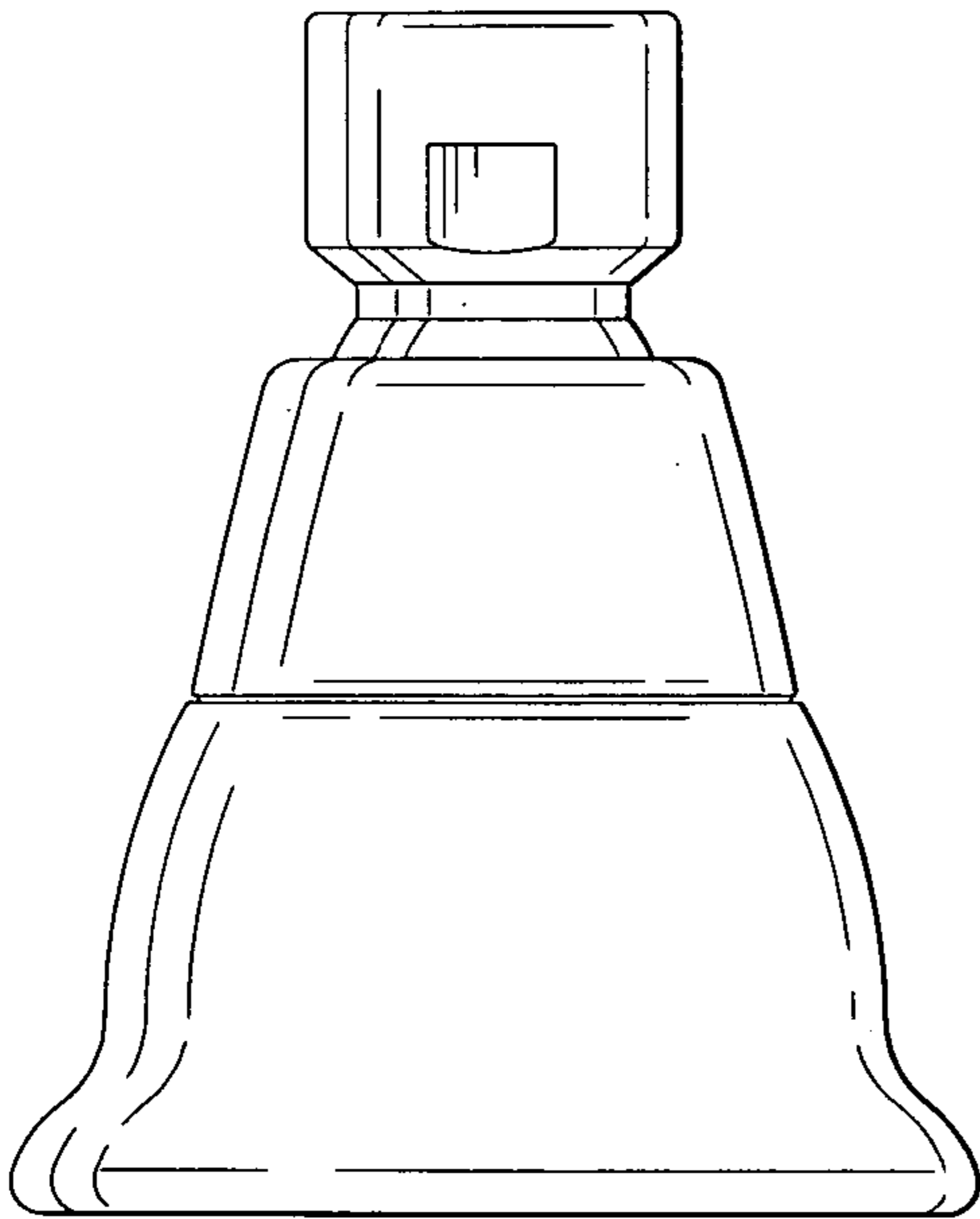


Fig-4

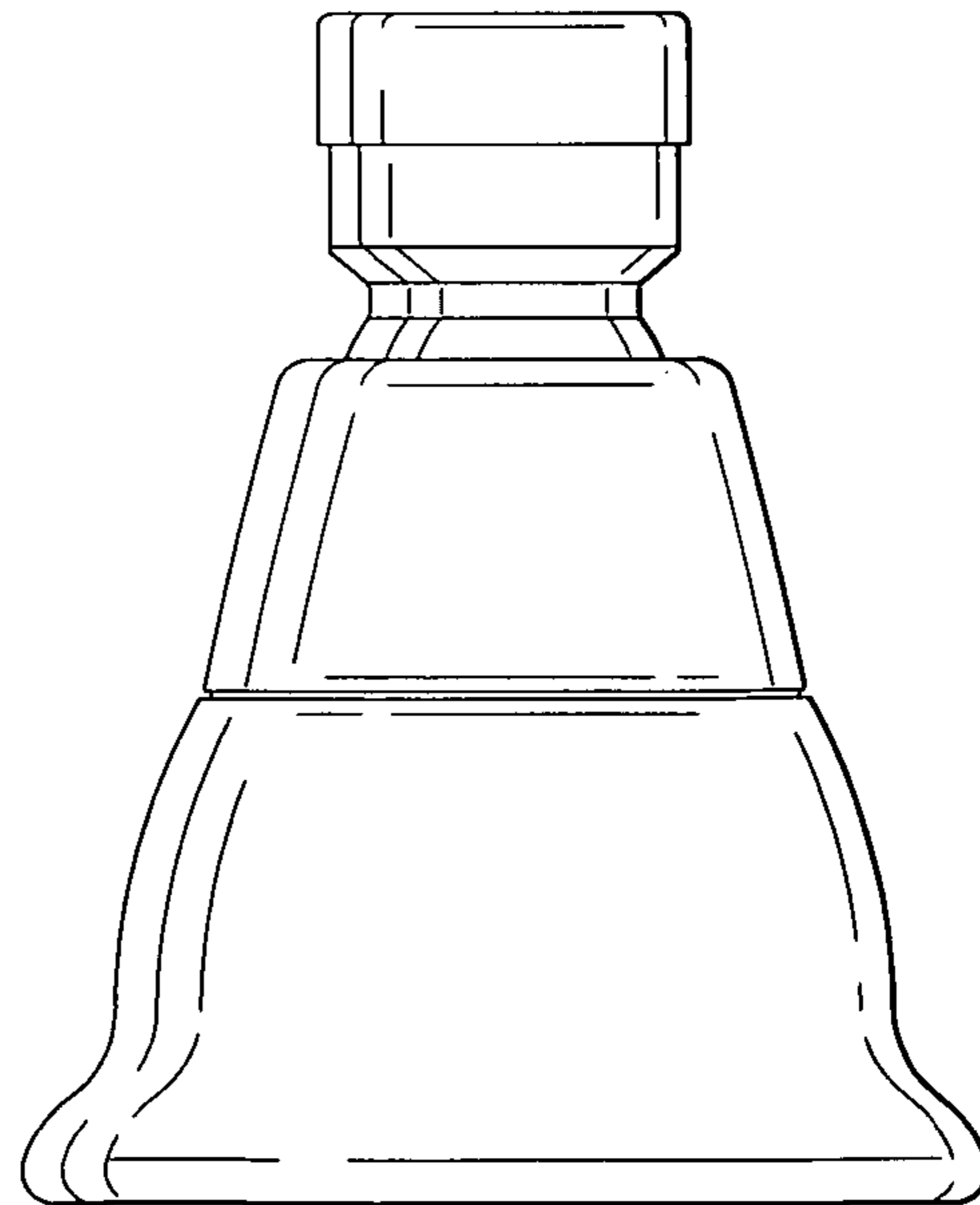


Fig-5

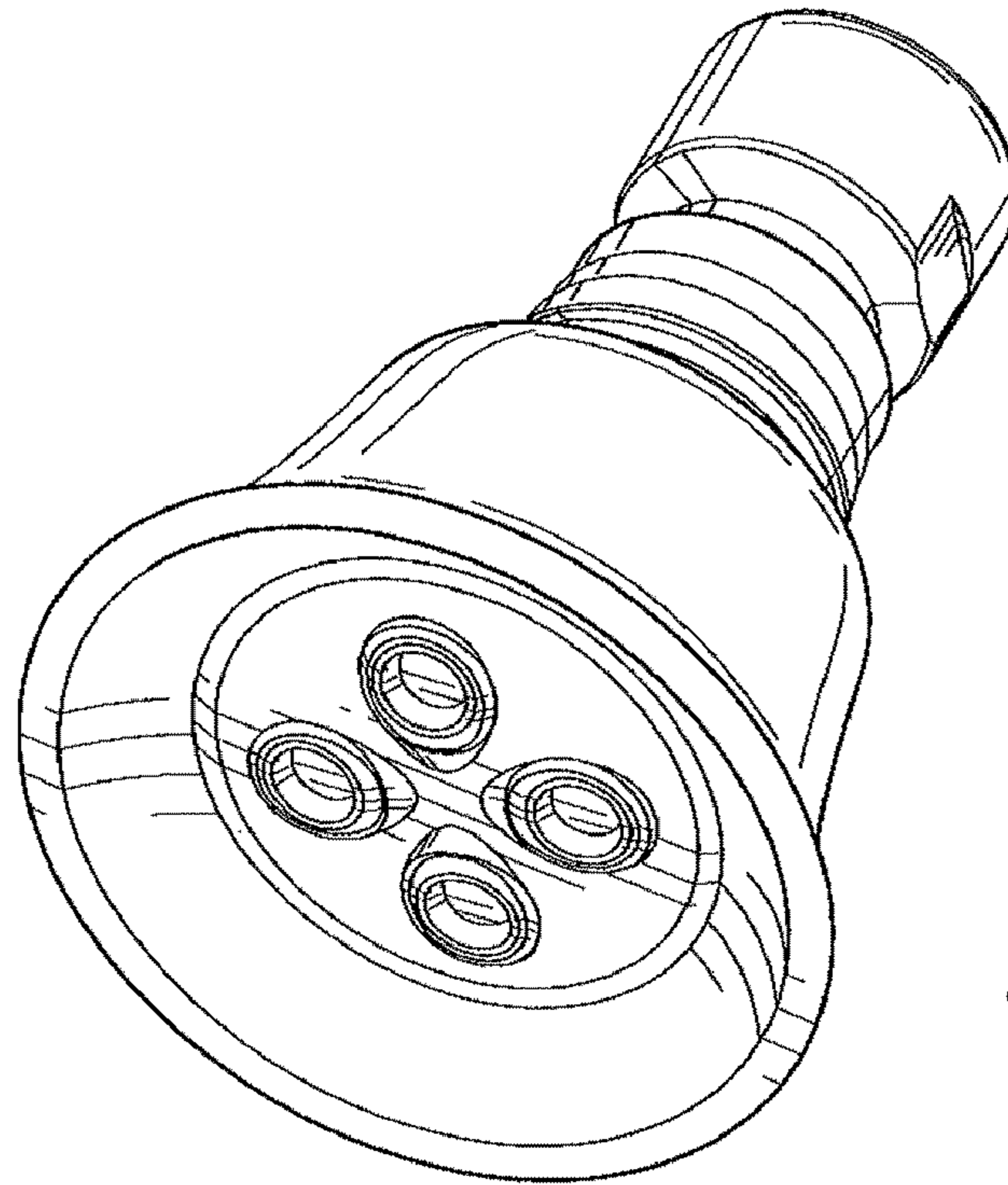


Fig-6

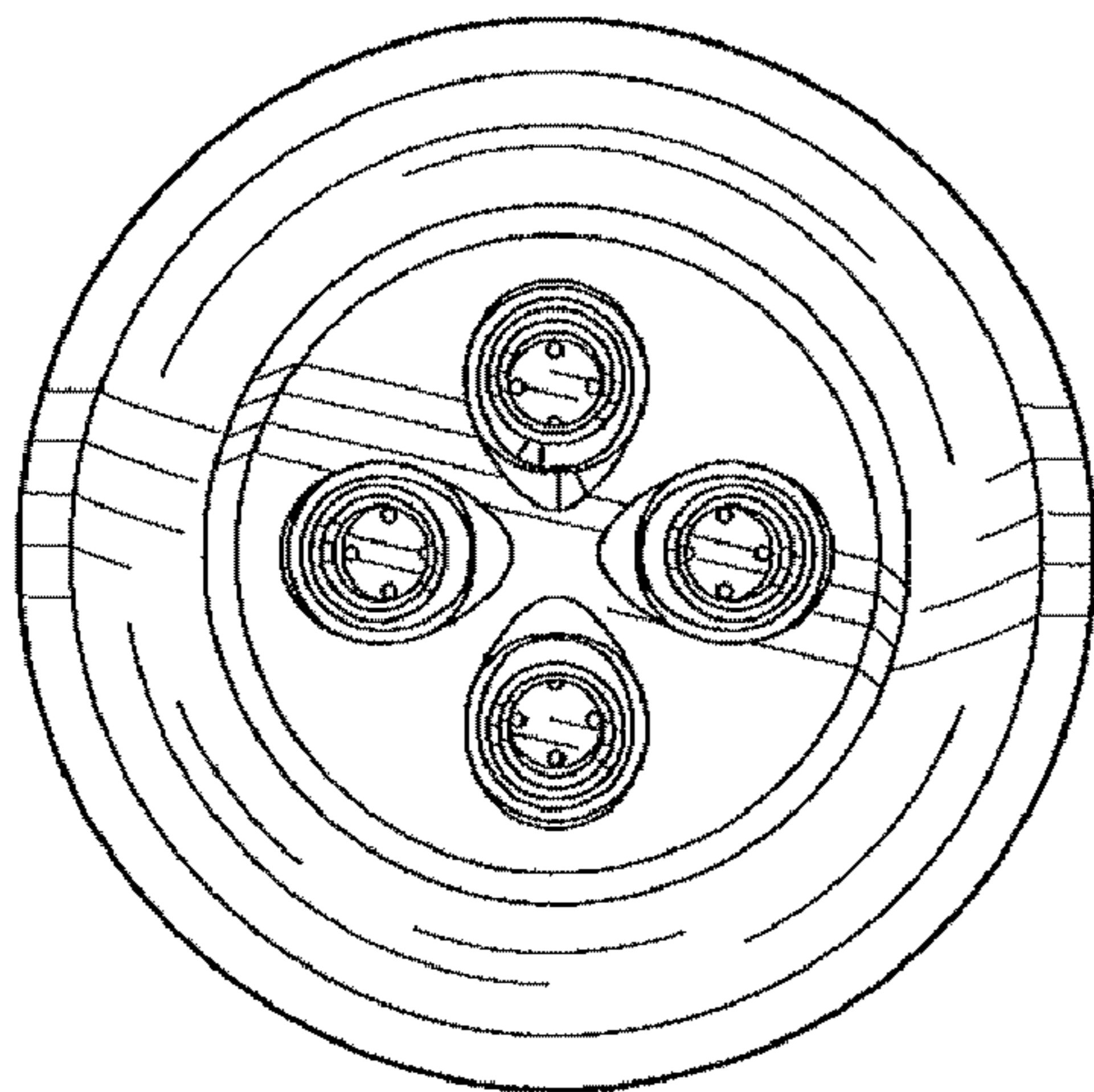


Fig-7