



US00D636847S

(12) **United States Design Patent**
Chen

(10) **Patent No.:** **US D636,847 S**
(45) **Date of Patent:** **** Apr. 26, 2011**

(54) **GARDEN SPRINKLER**
(75) **Inventor:** **Chin-Yuan Chen**, Lu-Kang Town (TW)
(73) **Assignee:** **Shin Tai Spurt Water of the Garden Tools Co., Ltd.**, Lu-Kang Town, Chang-Hua Hsien (TW)

D448,829 S * 10/2001 Hunt D23/213
D501,534 S * 2/2005 Chen D23/213
D602,559 S * 10/2009 Zore D23/226

* cited by examiner

Primary Examiner — Robin V Webster

(**) **Term:** **14 Years**

(57) **CLAIM**
The ornamental design for a garden sprinkler, as shown and described.

(21) **Appl. No.:** **29/369,376**

DESCRIPTION

(22) **Filed:** **Sep. 7, 2010**

(51) **LOC (9) Cl.** **23-01**
(52) **U.S. Cl.** **D23/213; D23/226**
(58) **Field of Classification Search** D23/213,
D23/223, 226; 239/556, 525–526, 459
See application file for complete search history.

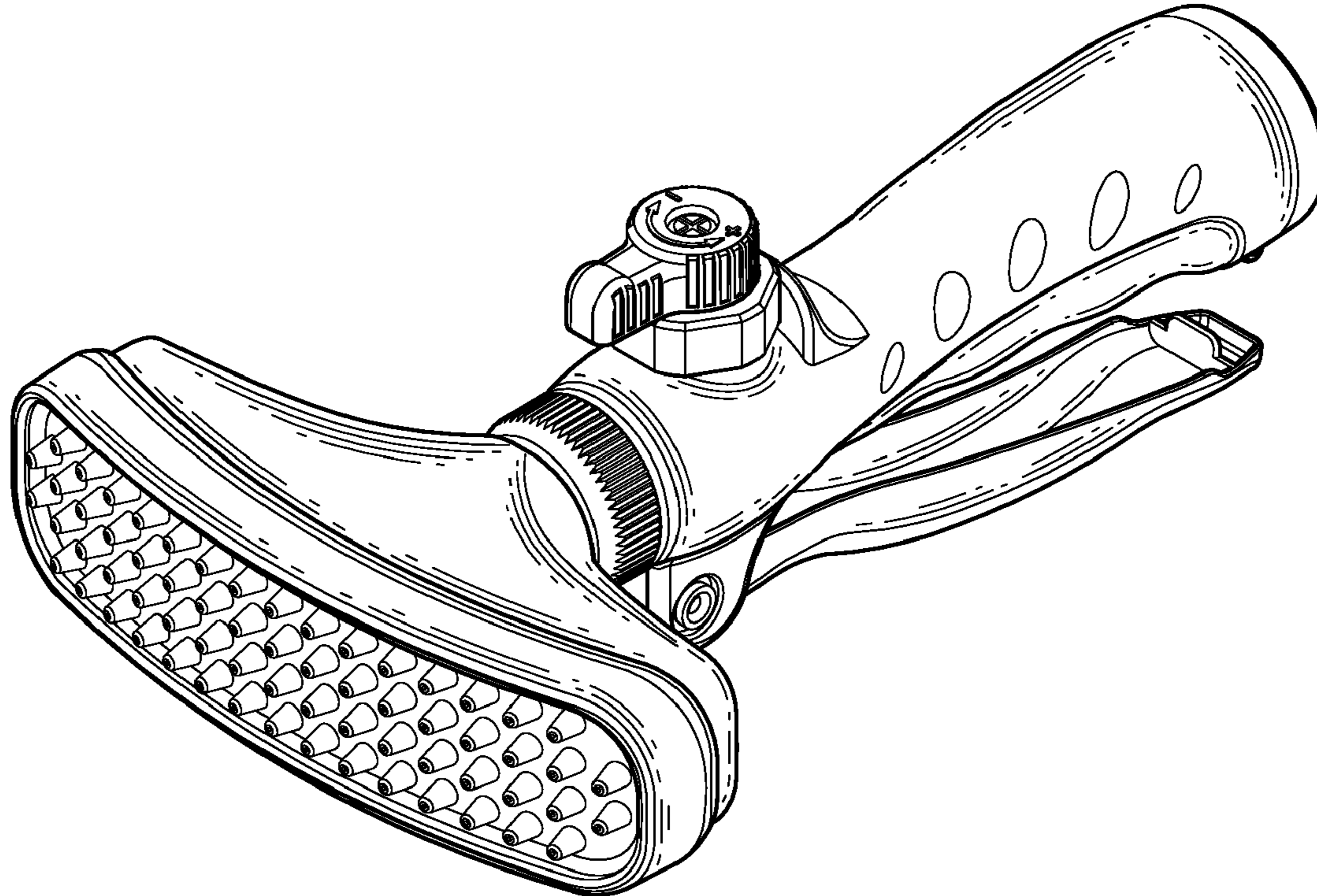
FIG. 1 is a perspective view of a garden sprinkler showing my new design;
FIG. 2 is a front view of the embodiment shown in FIG. 1;
FIG. 3 is a rear view of the embodiment shown in FIG. 1;
FIG. 4 is a left side view of the embodiment shown in FIG. 1;
FIG. 5 is a right side view of the embodiment shown in FIG. 1;
FIG. 6 is a top view of the embodiment shown in FIG. 1; and,
FIG. 7 is a bottom view of the embodiment shown in FIG. 1.

(56) **References Cited**

U.S. PATENT DOCUMENTS

2,249,274 A * 7/1941 Faine 239/556
D432,629 S * 10/2000 Jacobs D23/226

1 Claim, 5 Drawing Sheets



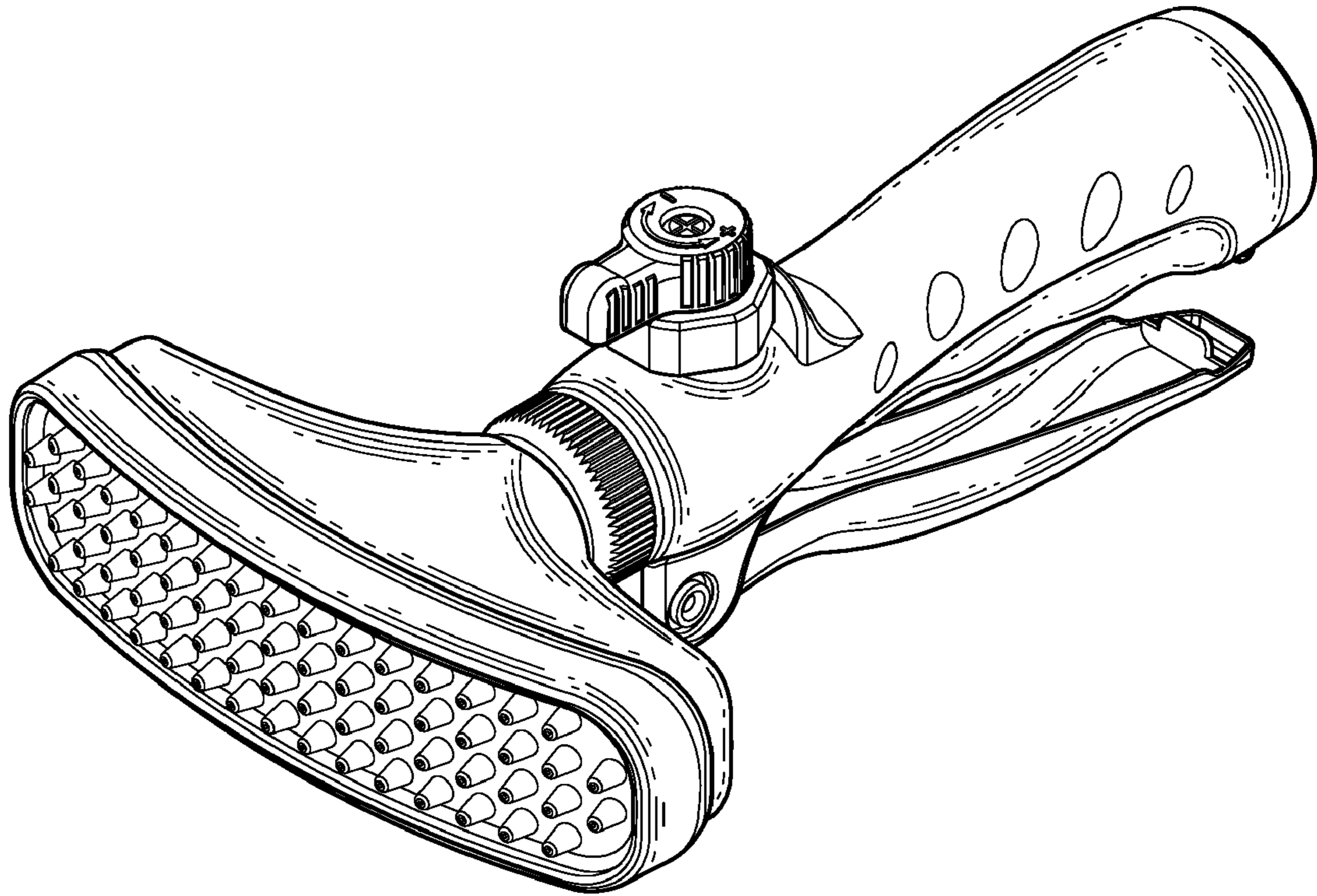


FIG. 1

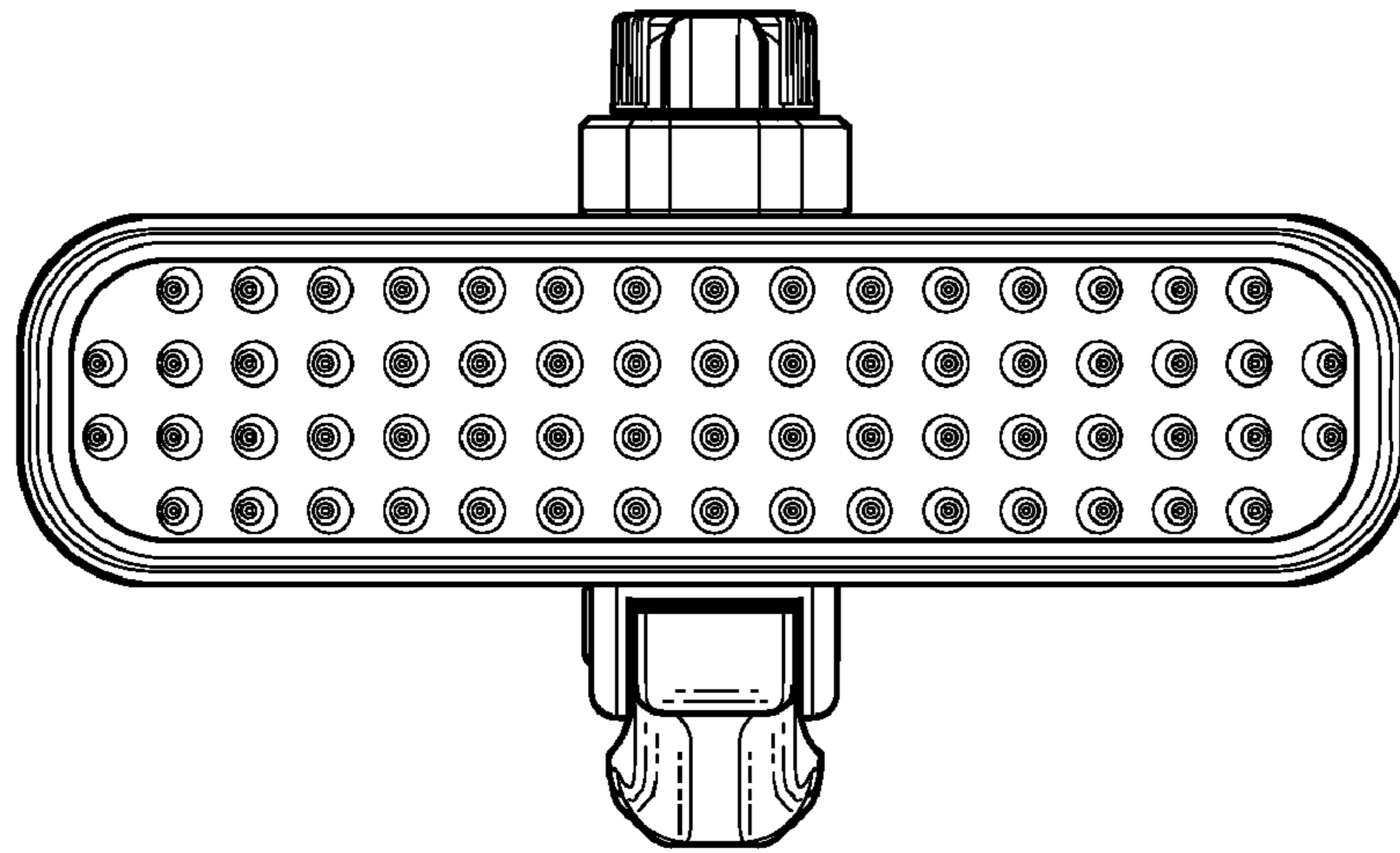


FIG. 2

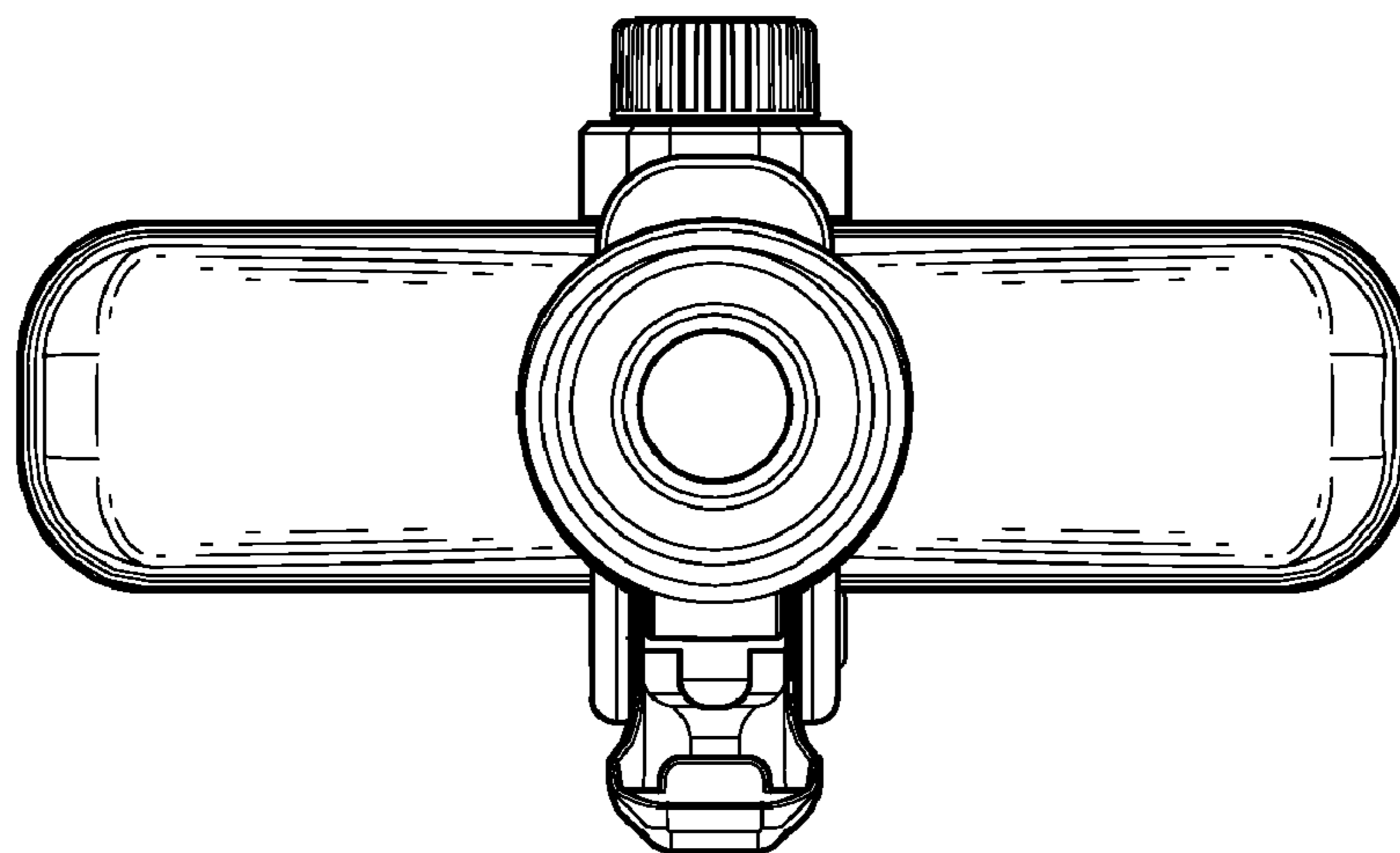


FIG. 3

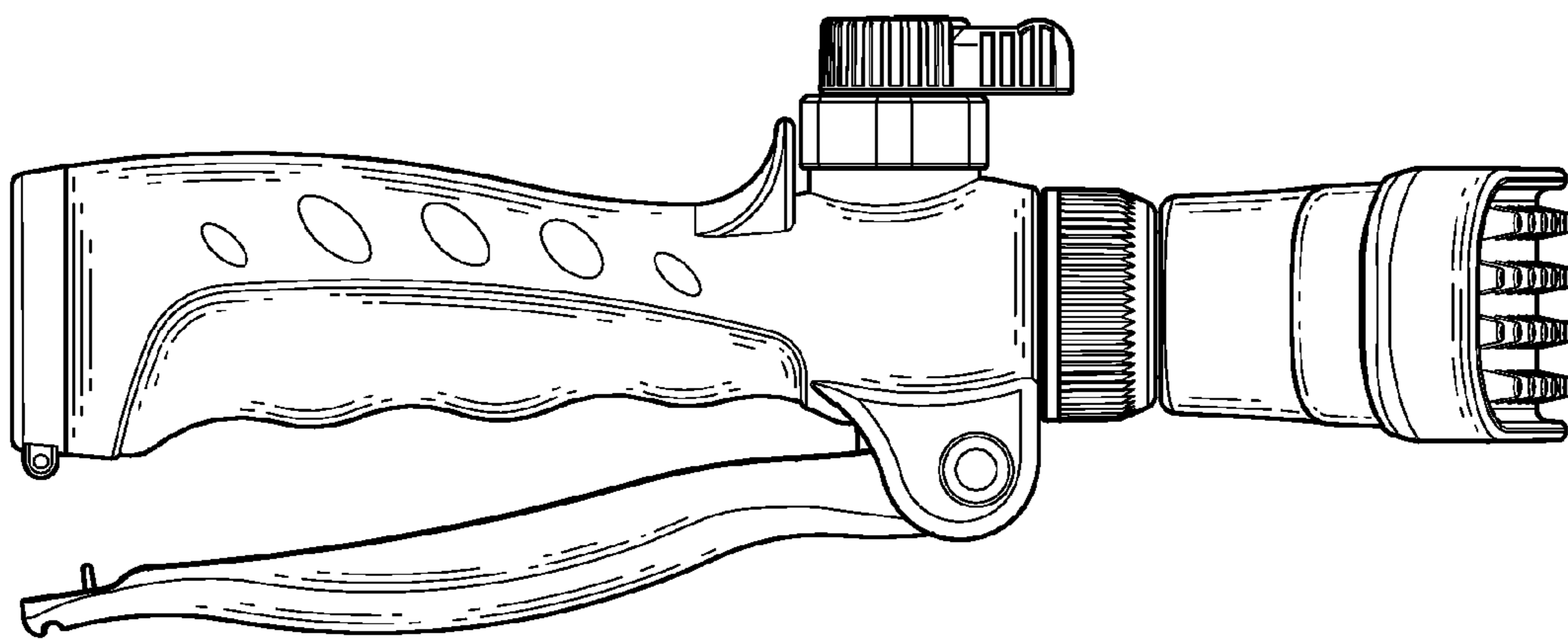


FIG. 4

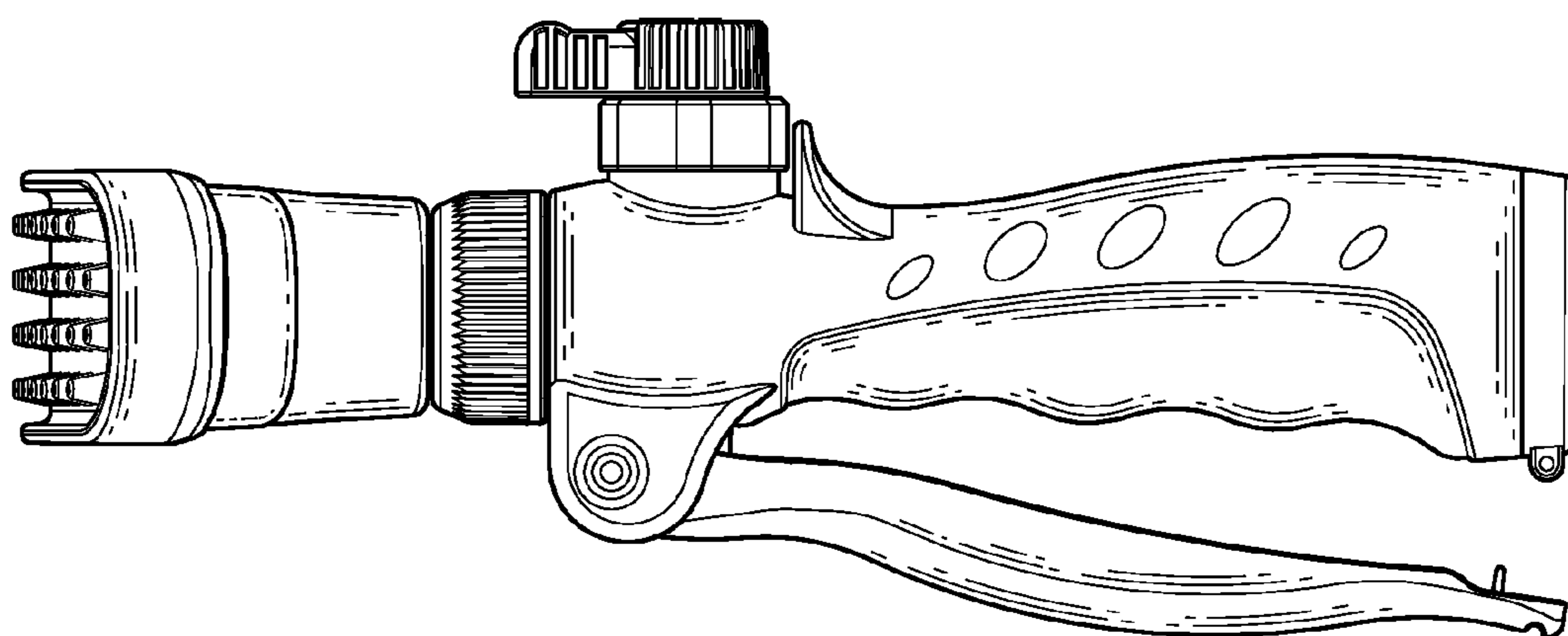


FIG. 5

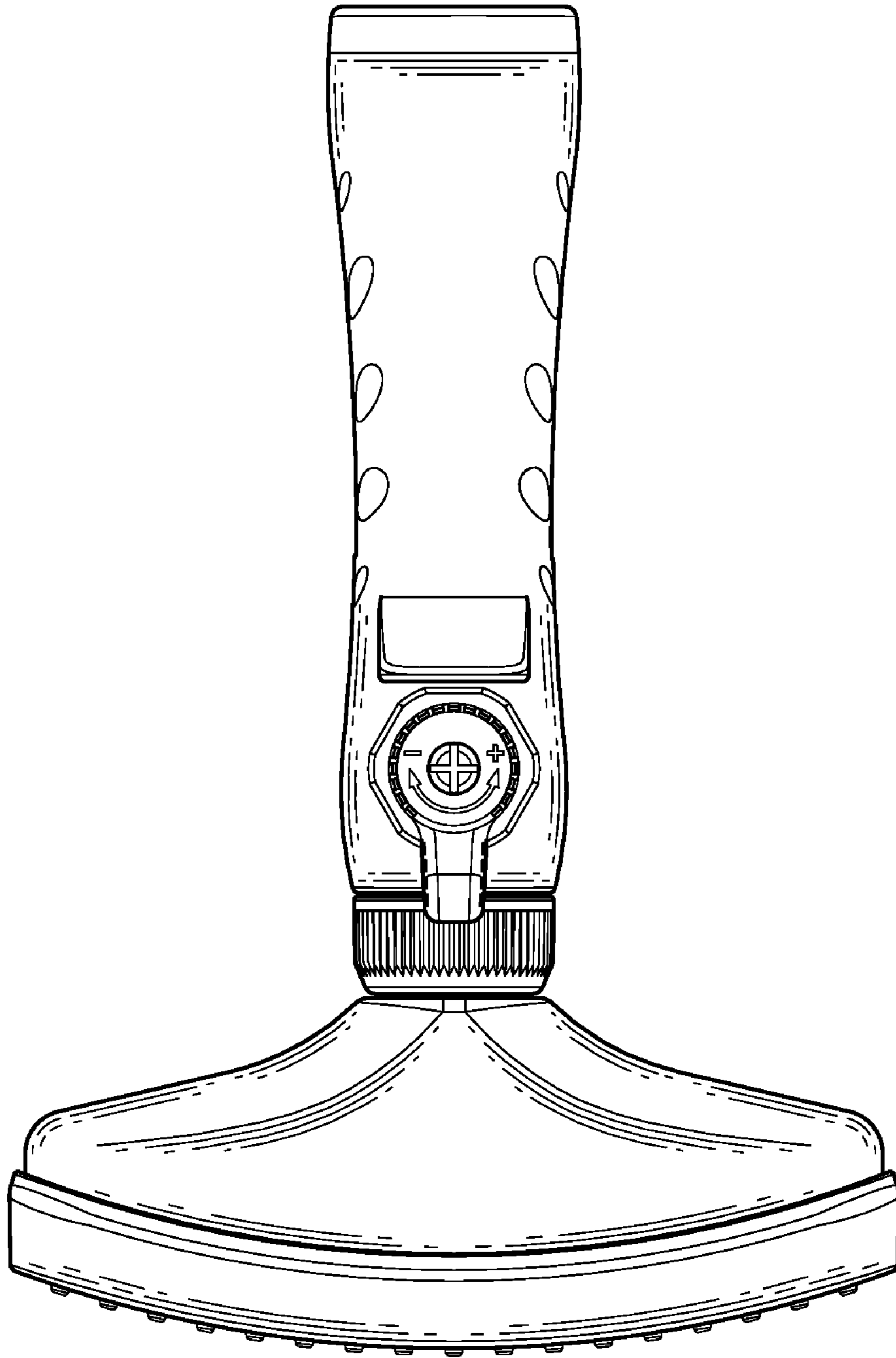


FIG. 6

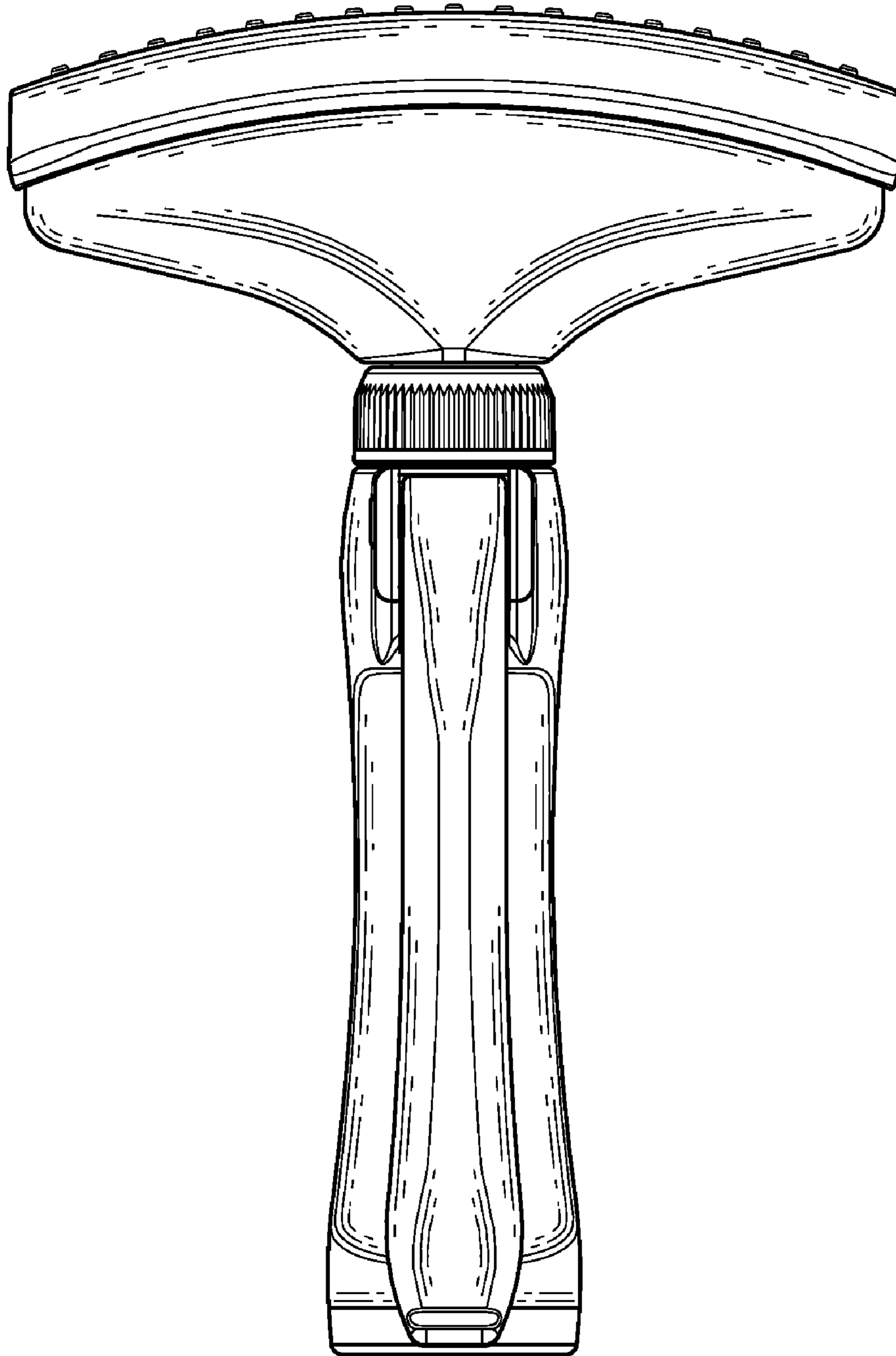


FIG. 7