



US00D636846S

(12) **United States Design Patent**
Shoemaker

(10) **Patent No.:** **US D636,846 S**

(45) **Date of Patent:** **** Apr. 26, 2011**

(54) **PRESSURE WASHER GUN**

D571,434 S * 6/2008 Renner D23/223
D582,513 S * 12/2008 Zingoni D23/226
7,641,133 B2 * 1/2010 Wilfert 239/419.5

(75) Inventor: **Anthony Daniel Shoemaker**, Oakwood Hills, IL (US)

* cited by examiner

(73) Assignee: **Sears Brands, LLC**, Hoffman Estates, IL (US)

Primary Examiner — Robin V Webster

(74) *Attorney, Agent, or Firm* — Greenberg Traurig, LLP

(**) Term: **14 Years**

(57) **CLAIM**

The ornamental design for a pressure washer gun, as shown and described.

(21) Appl. No.: **29/367,711**

DESCRIPTION

(22) Filed: **Aug. 12, 2010**

(51) **LOC (9) Cl.** **23-01**

(52) **U.S. Cl.** **D23/213; D23/226**

(58) **Field of Classification Search** D23/213,
D23/223, 226; 239/525, 526, 532

See application file for complete search history.

FIG. 1 is a front perspective view of a pressure washing gun showing my new design;

FIG. 2 is a front elevational view thereof

FIG. 3 is a rear elevational view thereof;

FIG. 4 is a right side elevational view thereof;

FIG. 5 is a left side elevational view thereof;

FIG. 6 is a top plan view thereof; and,

FIG. 7 is a bottom plan view thereof.

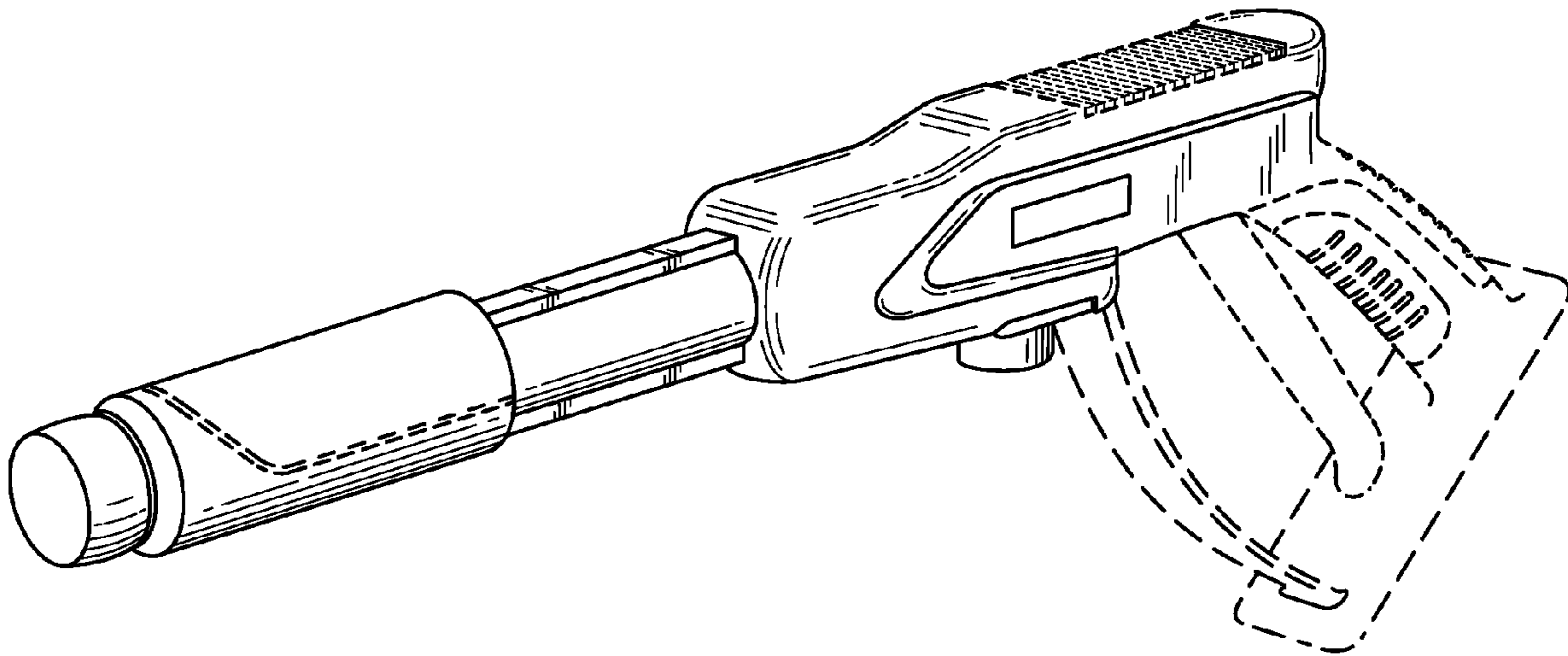
The dotted lines showing elements of the pressure washing gun are provided for illustrative purposes only and form no part of the design claimed.

(56) **References Cited**

U.S. PATENT DOCUMENTS

D518,556 S * 4/2006 Amaduzzi D23/226
D518,873 S * 4/2006 Carpanese D23/223
D524,404 S * 7/2006 Mineau et al. D23/213

1 Claim, 4 Drawing Sheets



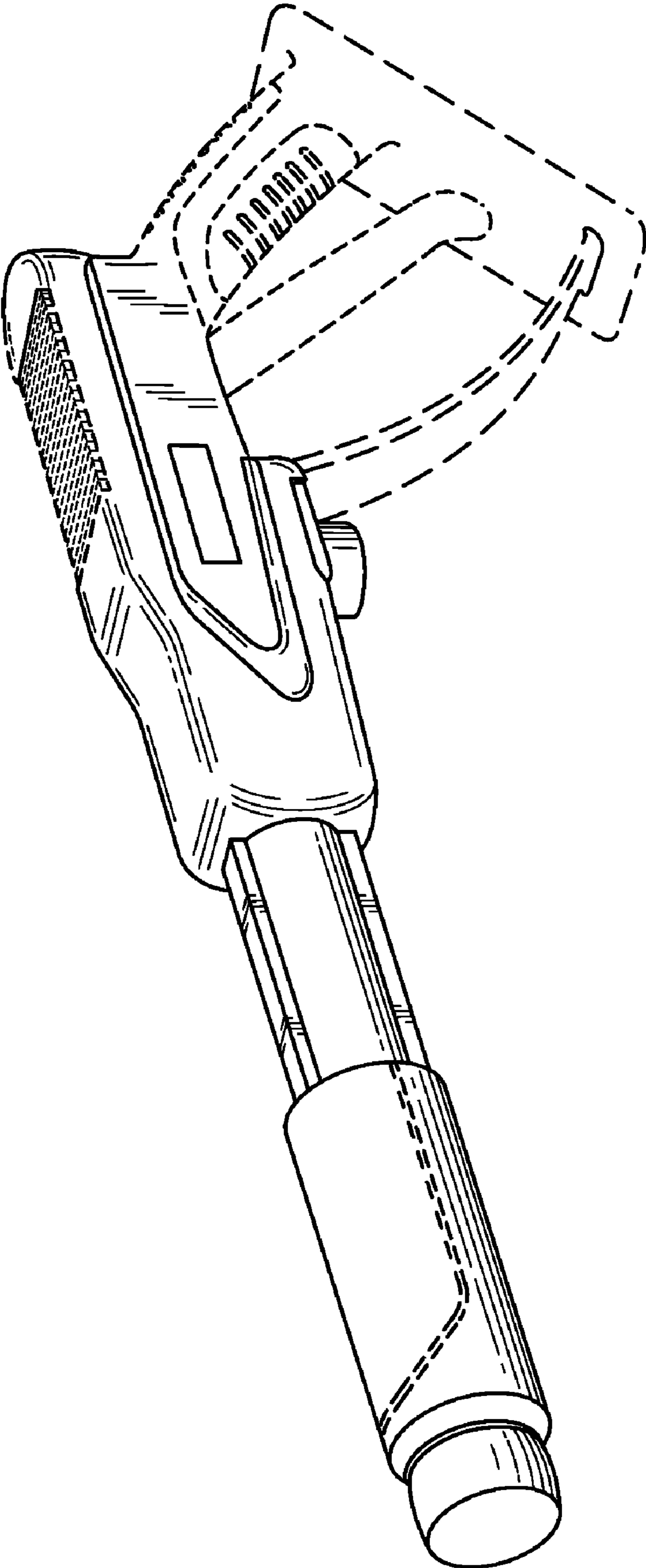


FIG. 1

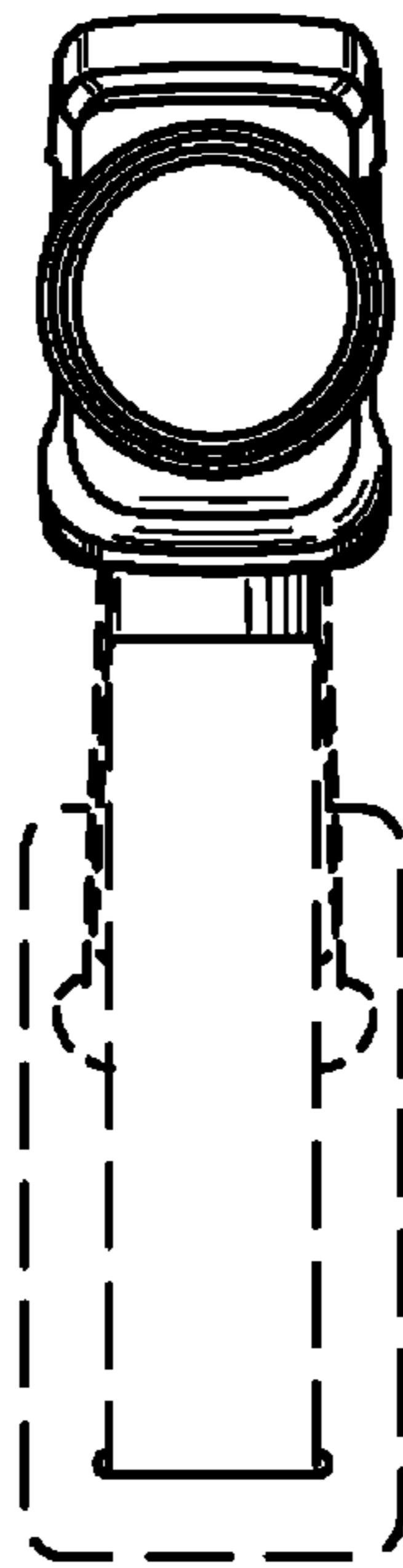


FIG. 2

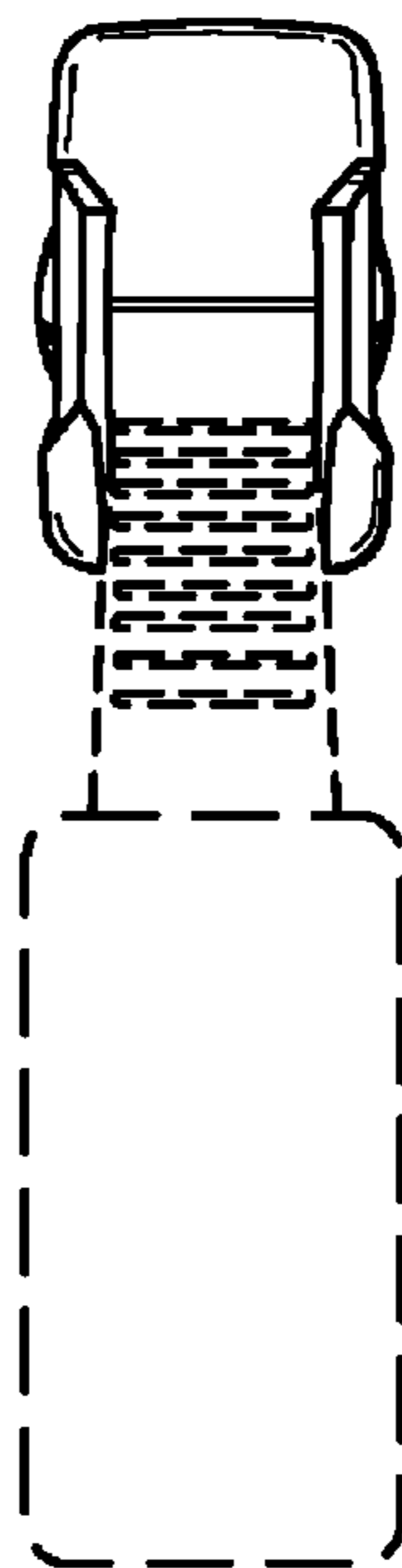
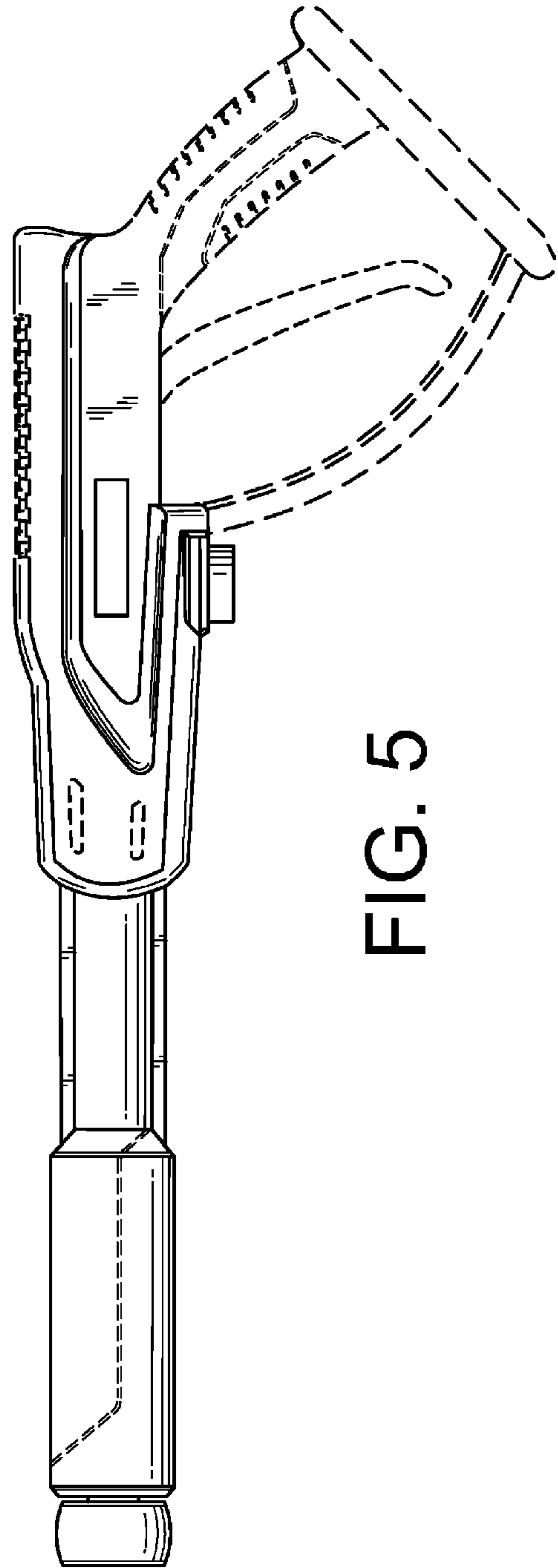
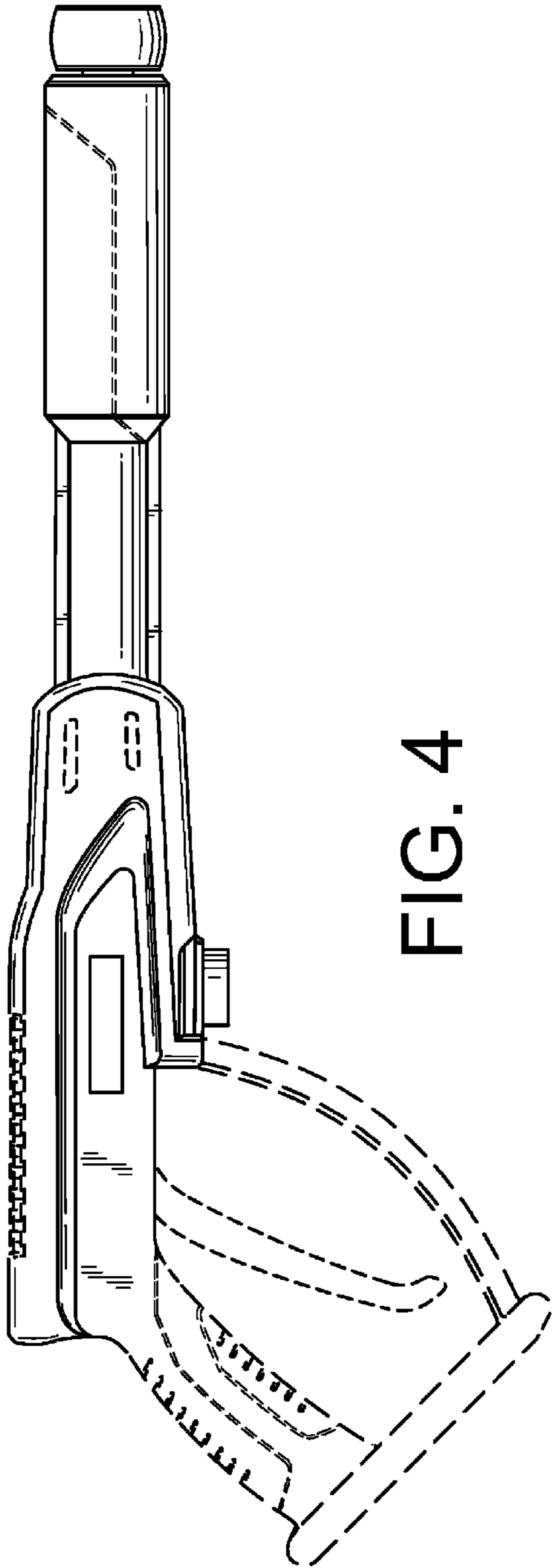


FIG. 3



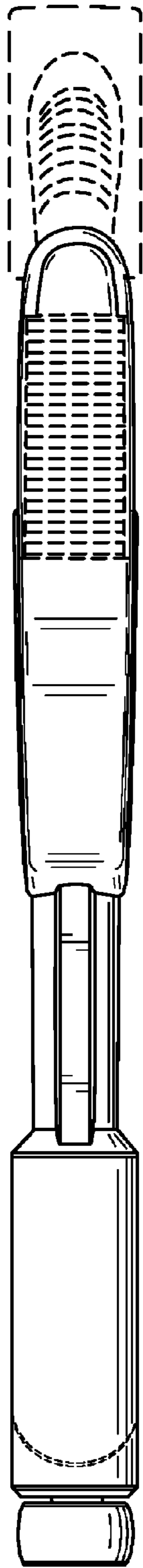


FIG. 6

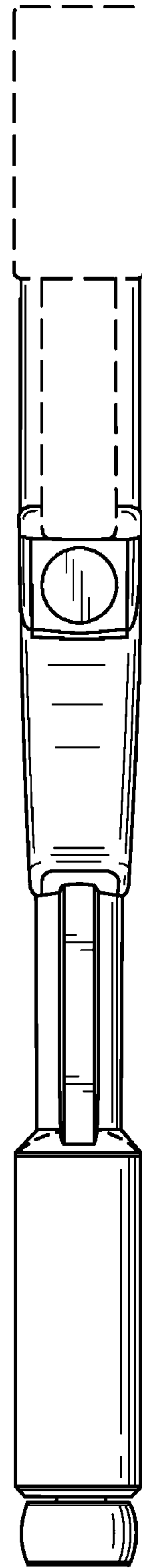


FIG. 7