



US00D636845S

(12) **United States Design Patent**
Suzuki et al.

(10) **Patent No.:** **US D636,845 S**

(45) **Date of Patent:** **** Apr. 26, 2011**

(54) **NOZZLE FOR AN AIR BLAST PROCESS**

(75) Inventors: **Yukinori Suzuki**, Aichi (JP); **Norihito Shibuya**, Aichi (JP)

(73) Assignee: **Sintokogio, Ltd.**, Aichi (JP)

(**) Term: **14 Years**

(21) Appl. No.: **29/366,354**

(22) Filed: **Jul. 23, 2010**

(30) **Foreign Application Priority Data**

Jan. 27, 2010 (JP) 2010-001818

(51) **LOC (9) Cl.** **23-01**

(52) **U.S. Cl.** **D23/213**

(58) **Field of Classification Search** D23/213;
239/223, 225.1, 290, 291, 292, DIG. 22;
427/475; 118/300; D15/124, 126; 451/102
See application file for complete search history.

(56) **References Cited**

U.S. PATENT DOCUMENTS

3,318,534 A * 5/1967 Stolteben 239/291
3,984,054 A * 10/1976 Frochoux 239/424
3,985,302 A * 10/1976 Frochoux 239/424
5,155,946 A * 10/1992 Domann 451/75

6,053,431 A * 4/2000 Hurley et al. 239/492
D568,439 S * 5/2008 Fulkerson et al. D23/213
7,442,112 B2 * 10/2008 Yoon 451/8
7,510,129 B2 * 3/2009 Kuronita et al. 239/556

* cited by examiner

Primary Examiner — Robin V Webster

(74) *Attorney, Agent, or Firm* — Sughrue Mion, PLLC

(57) **CLAIM**

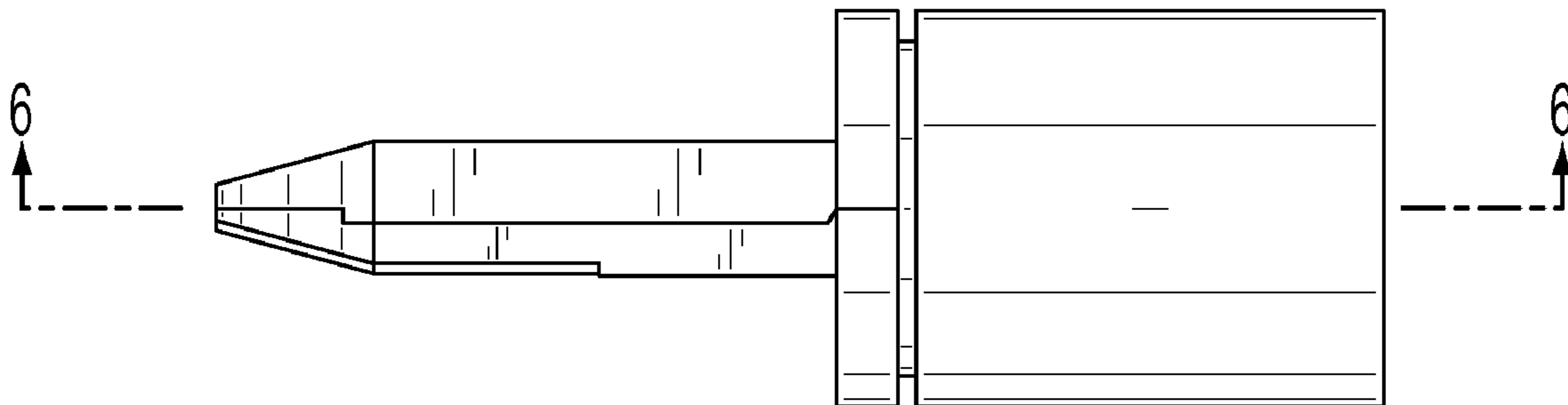
The ornamental design for a nozzle for an air blast process, as shown and described.

DESCRIPTION

FIG. 1 is a front view of an air nozzle showing our new design; FIG. 2 is a left side view thereof; FIG. 3 is a right side view thereof; FIG. 4 is a plan view thereof; FIG. 5 is a bottom plan view thereof; FIG. 6 is a cross-sectional view taken along line 6—6 of FIG. 1; FIG. 7 is a cross-sectional view taken along line 7—7 of FIG. 5; and, FIG. 8 is a reference cross-sectional view showing a state of usage thereof.

The broken line showing in FIG. 8 is included for the purpose of illustrating and forms no part of the claimed design.

1 Claim, 5 Drawing Sheets



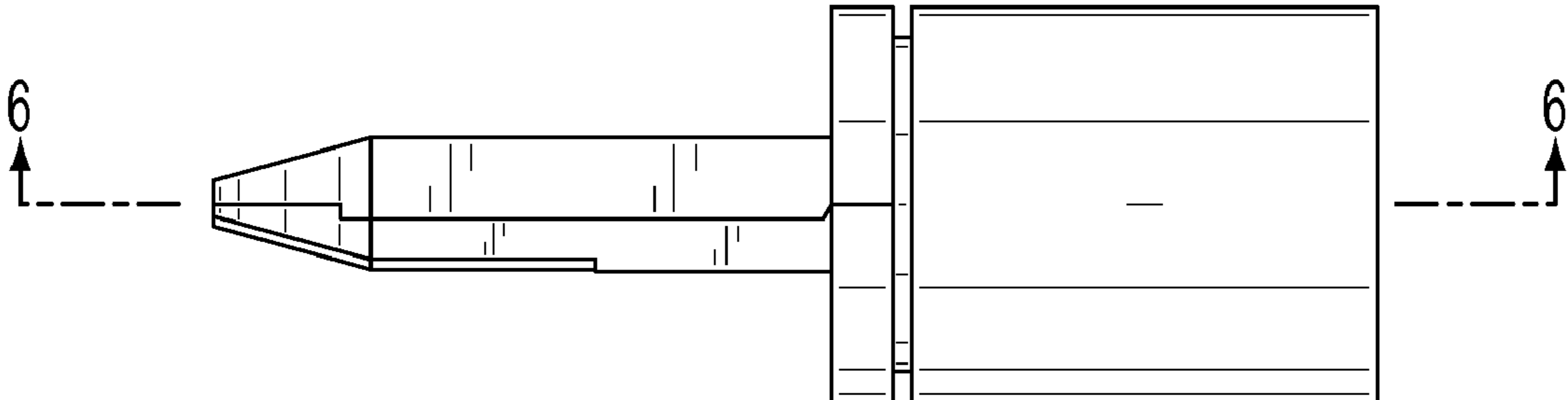


FIG. 1

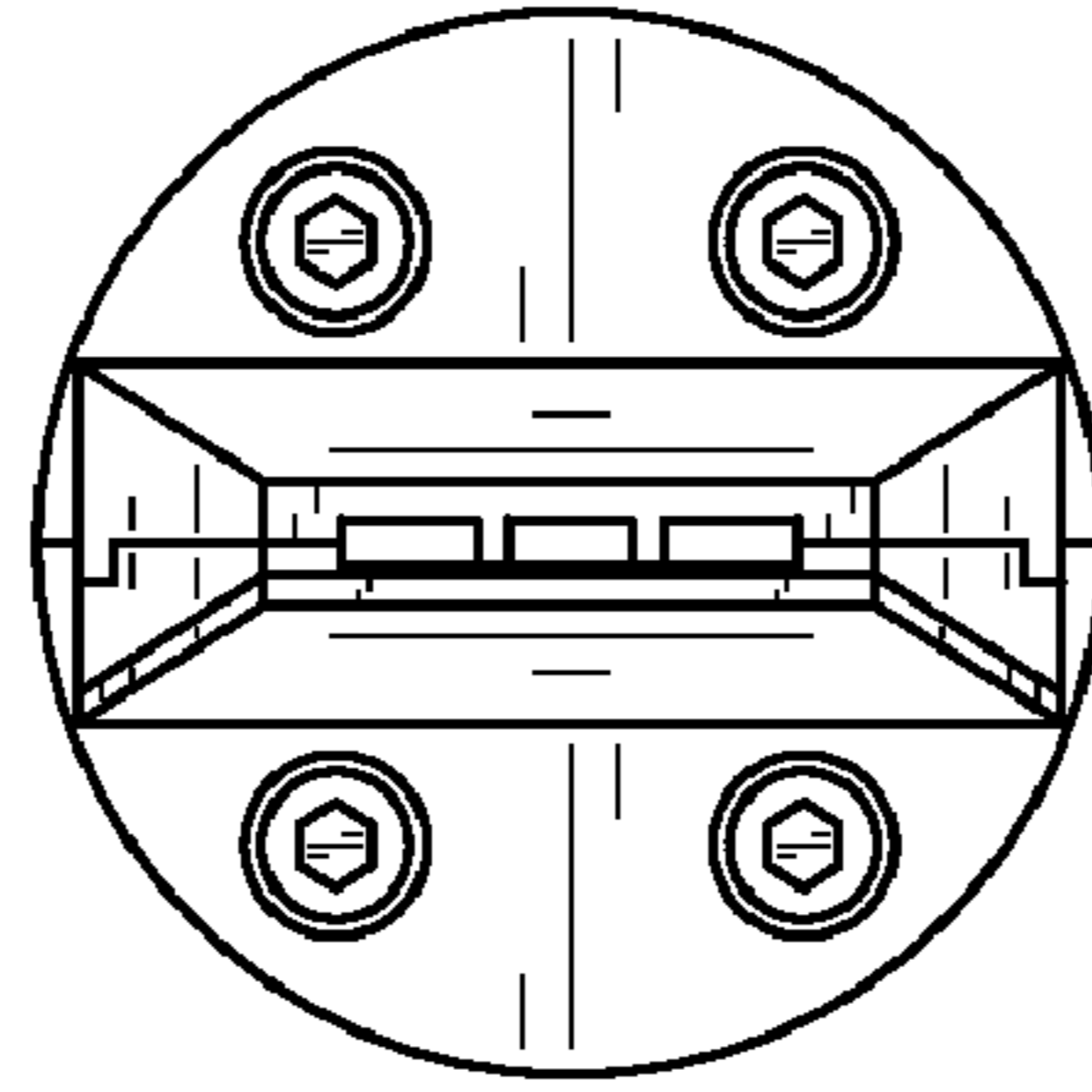


FIG. 2

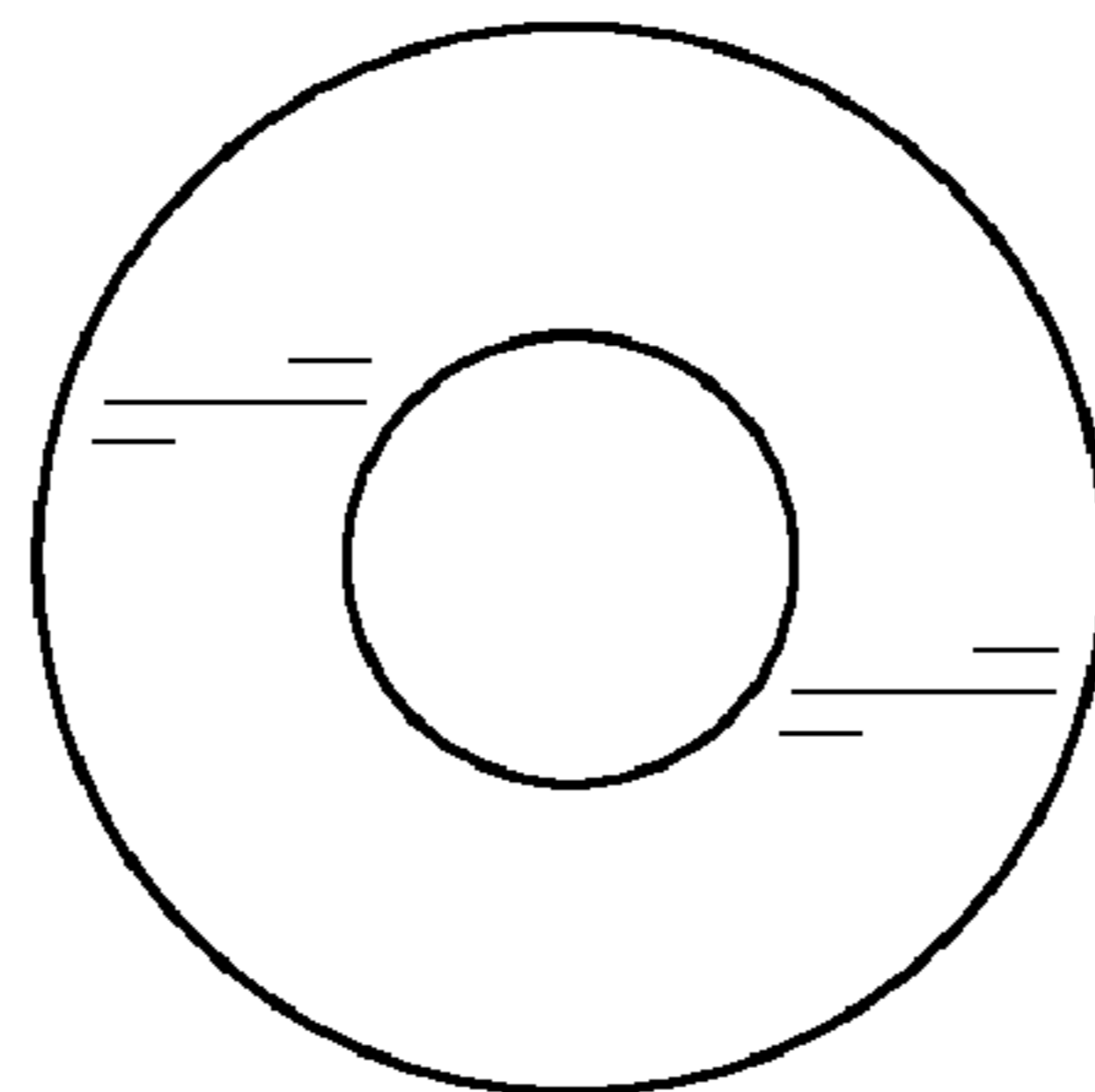


FIG. 3

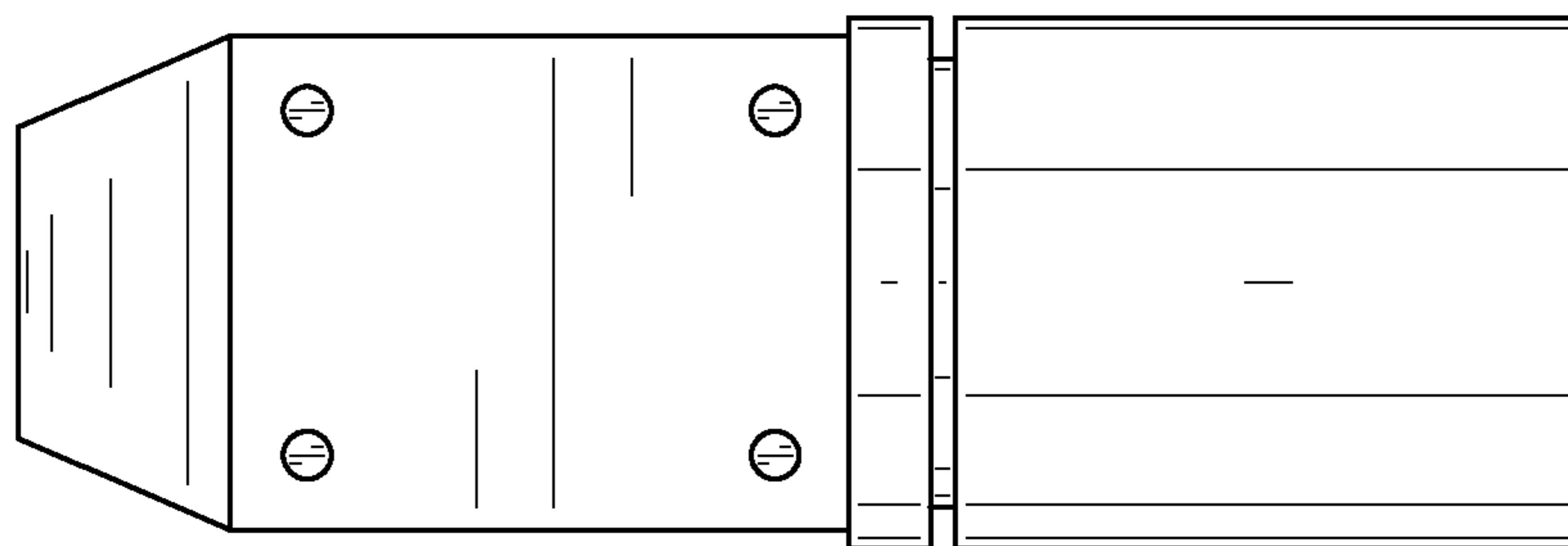


FIG. 4

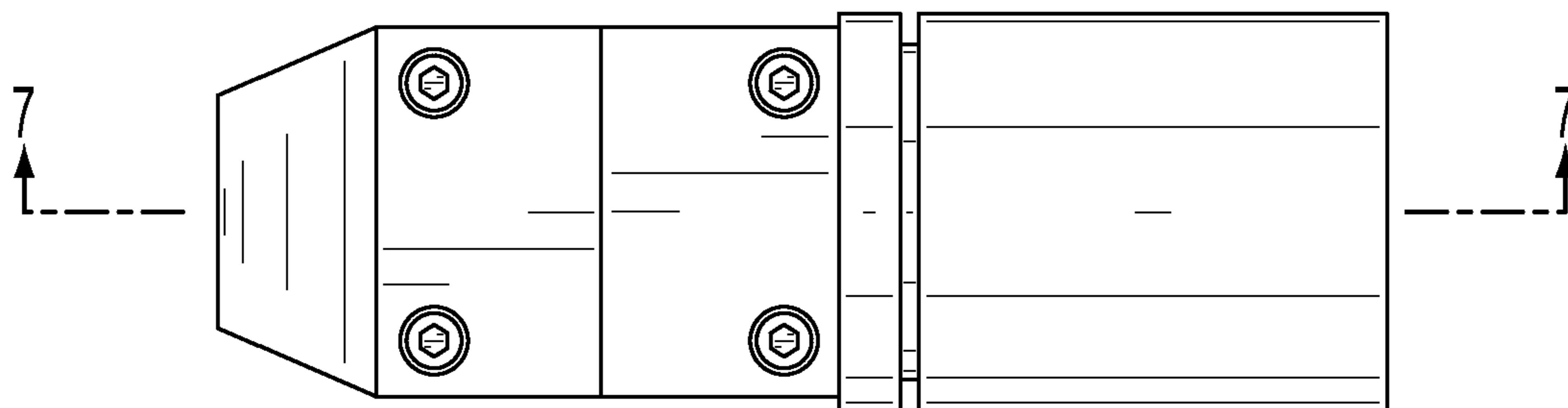


FIG. 5

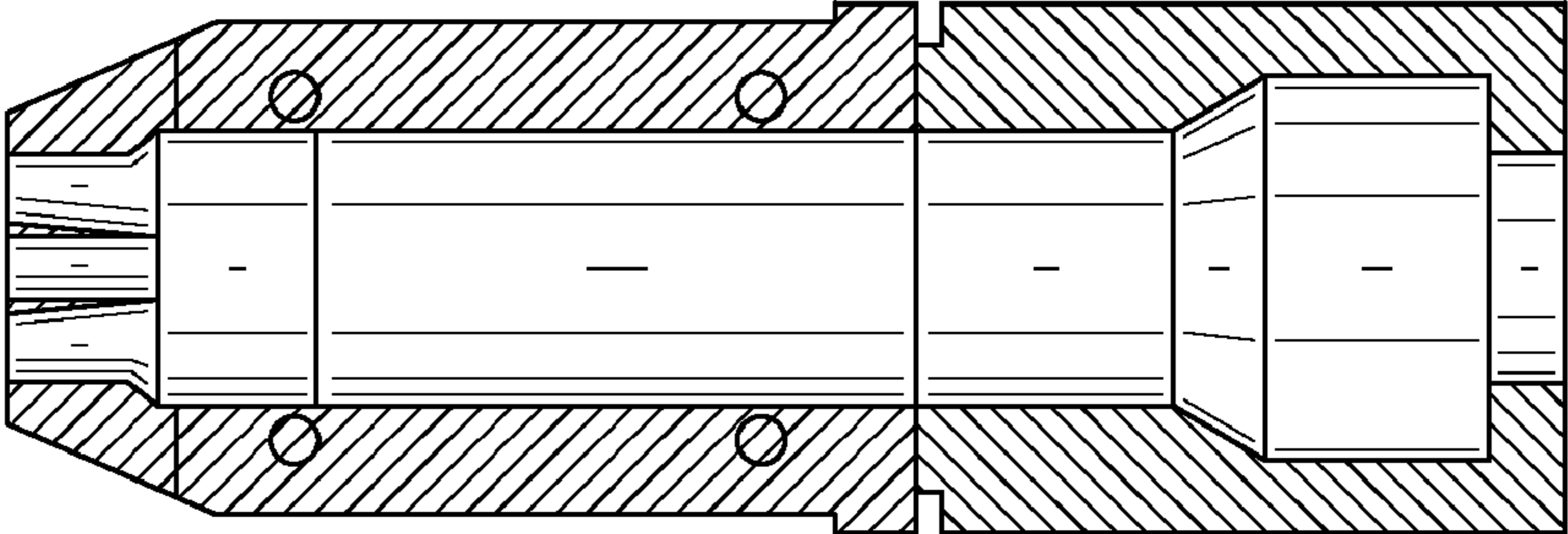


FIG. 6

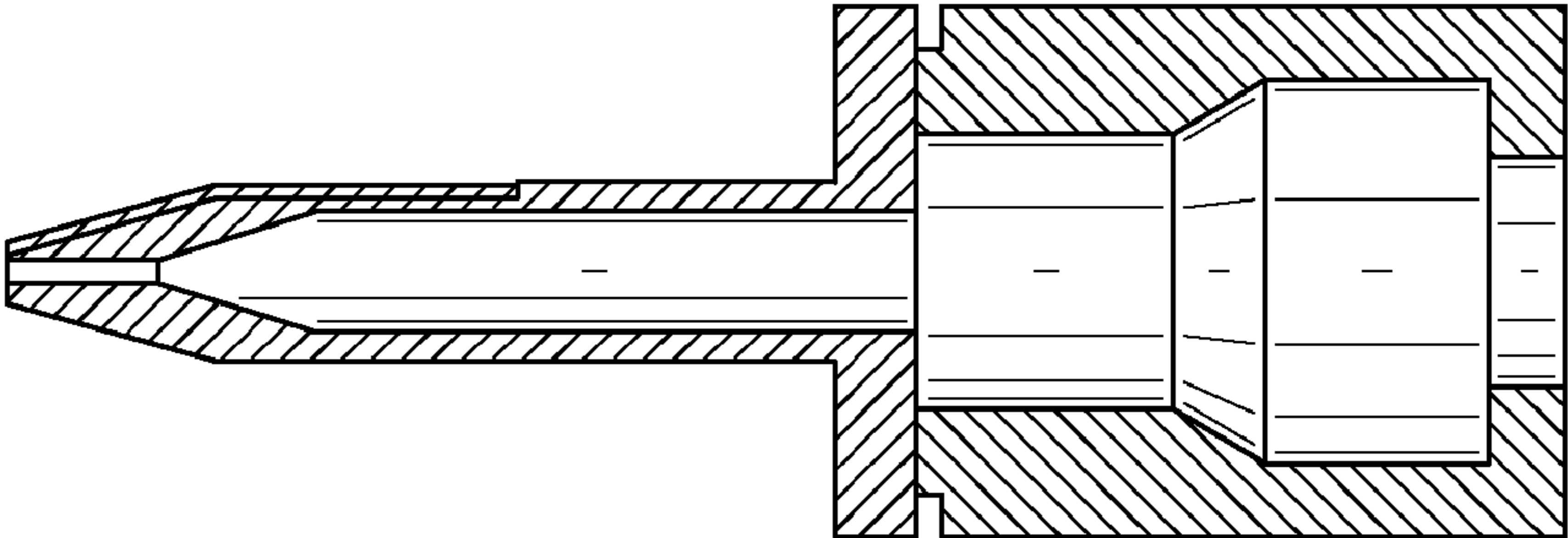


FIG. 7

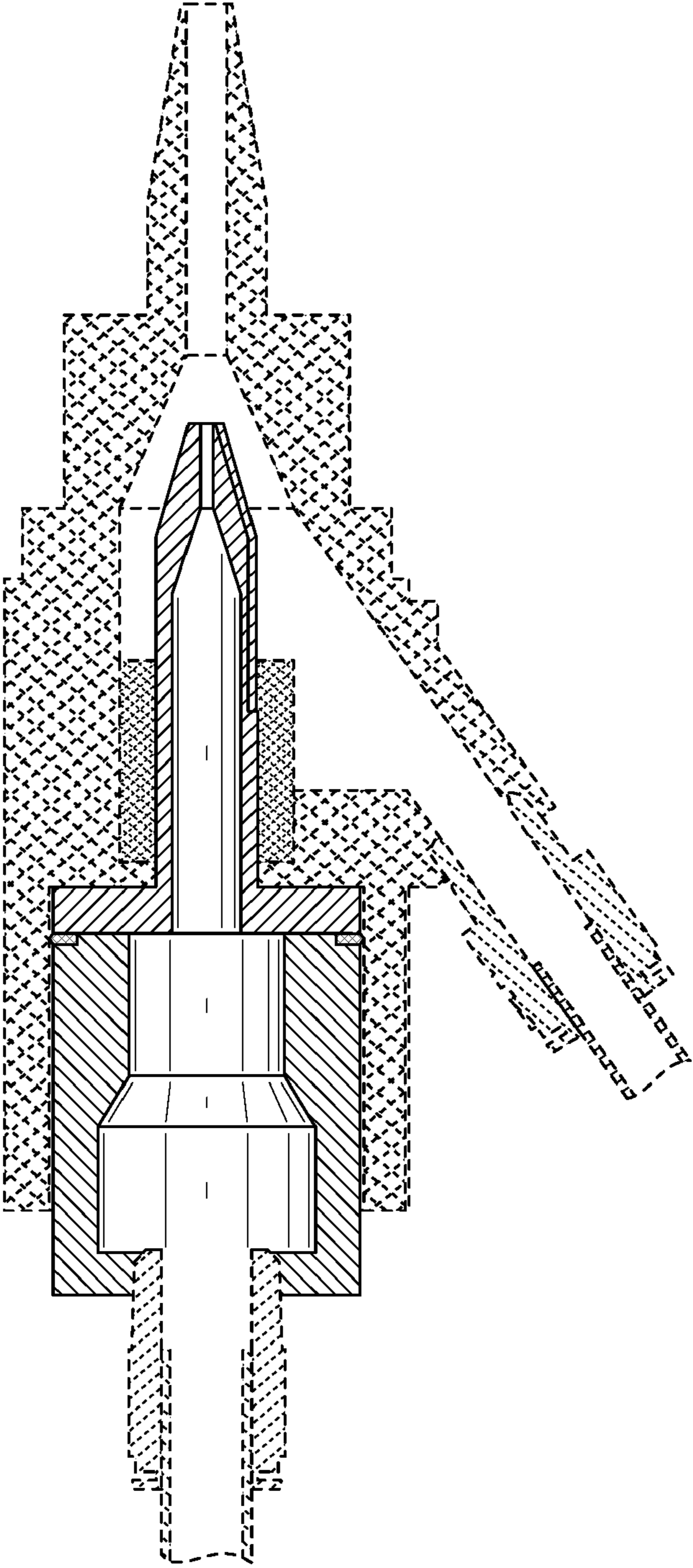


FIG. 8