



US00D636844S

(12) **United States Design Patent**
Herre et al.

(10) **Patent No.:** **US D636,844 S**
(45) **Date of Patent:** **** Apr. 26, 2011**

(54) **ROTARY ATOMIZER COMPONENT**

(56) **References Cited**

(75) Inventors: **Frank Herre**, Oberriexingen (DE);
Joachim Hering, Dürmentingen (DE);
Rainer Melcher, Oberstenfeld (DE);
Thomas Buck, Sachsenheim (DE);
Michael Baumann, Flein (DE);
Bernhard Seiz, Lauffen (DE); **Manfred**
Michelfelder, Steinheim (DE)

U.S. PATENT DOCUMENTS

4,555,058	A *	11/1985	Weinstein et al.	239/223
6,811,094	B2 *	11/2004	Kon et al.	239/223
6,972,052	B2 *	12/2005	Krumma et al.	118/300
6,988,673	B2 *	1/2006	Kon et al.	239/223
7,017,835	B2 *	3/2006	Vetter et al.	239/380
7,080,794	B2 *	7/2006	Baumann et al.	239/223
7,131,601	B2 *	11/2006	Nolte et al.	239/224
7,661,610	B2 *	2/2010	Yamada	239/706

* cited by examiner

(73) Assignee: **Duerr Systems GmbH**,
Bietigheim-Bissingen (DE)

Primary Examiner — Robin V Webster

(74) *Attorney, Agent, or Firm* — Rader Fishman Grauer

(**) Term: **14 Years**

(57) **CLAIM**

The ornamental design for a rotary atomizer component, as shown and described.

(21) Appl. No.: **29/361,662**

DESCRIPTION

(22) Filed: **May 13, 2010**

FIG. 1 is an upper perspective view of a rotary atomizer component showing our new design; FIG. 2 is a top view thereof; FIG. 3 is a side view thereof; FIG. 4 is another side view thereof; FIG. 5 is a bottom view thereof; FIG. 6 is a rear view thereof; and, FIG. 7 is a front view thereof.

(30) **Foreign Application Priority Data**

Nov. 13, 2009 (EM) 001181705-0008

(51) **LOC (9) Cl.** **23-01**

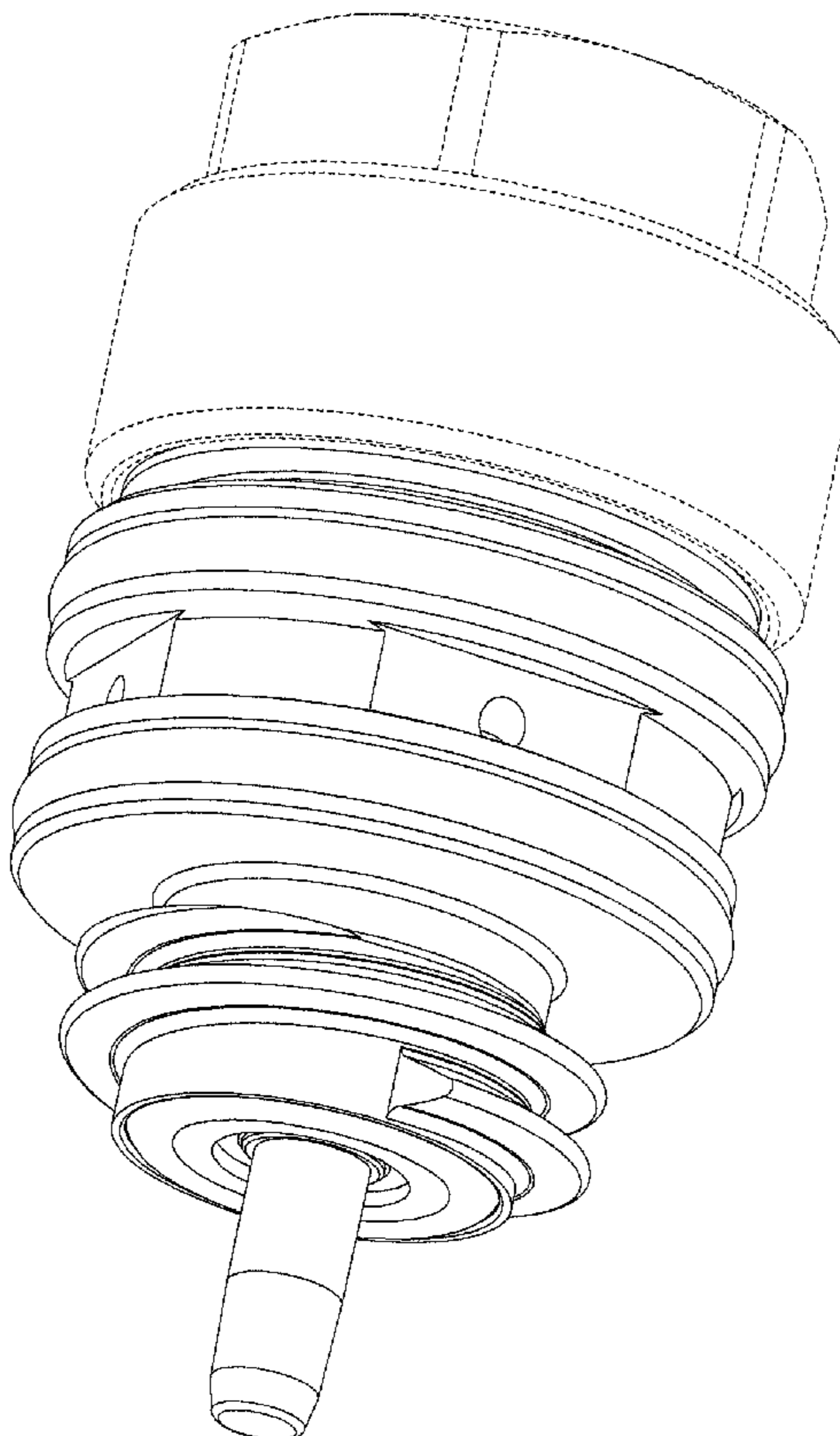
(52) **U.S. Cl.** **D23/213**

(58) **Field of Classification Search** D23/213;
239/223, 225.1, 290, 291, 292; 427/475;
118/300

The broken lines in the FIGS. are directed to environment and are for illustrative purposes only. The broken lines form no part of the claimed design.

See application file for complete search history.

1 Claim, 7 Drawing Sheets



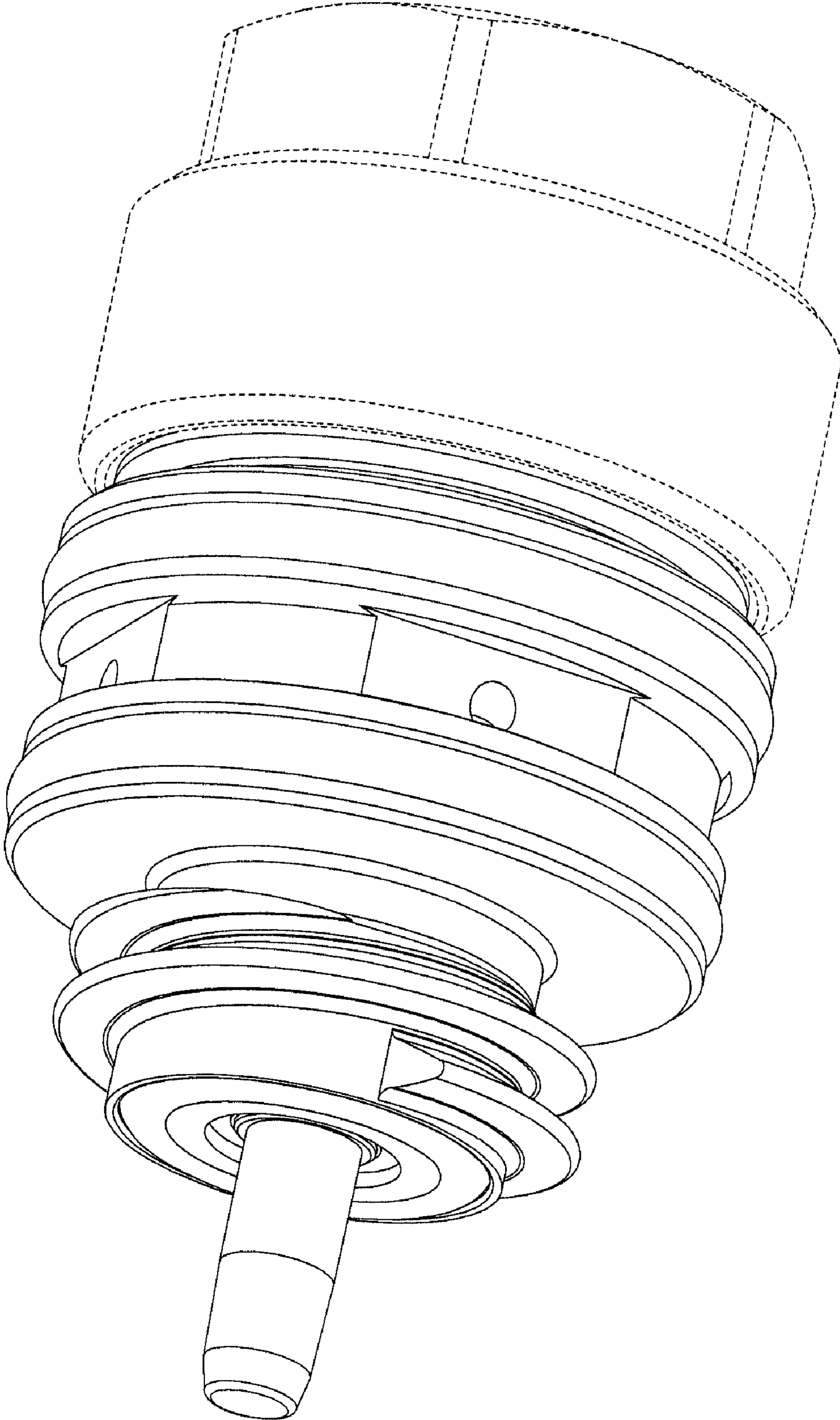


FIG. 1

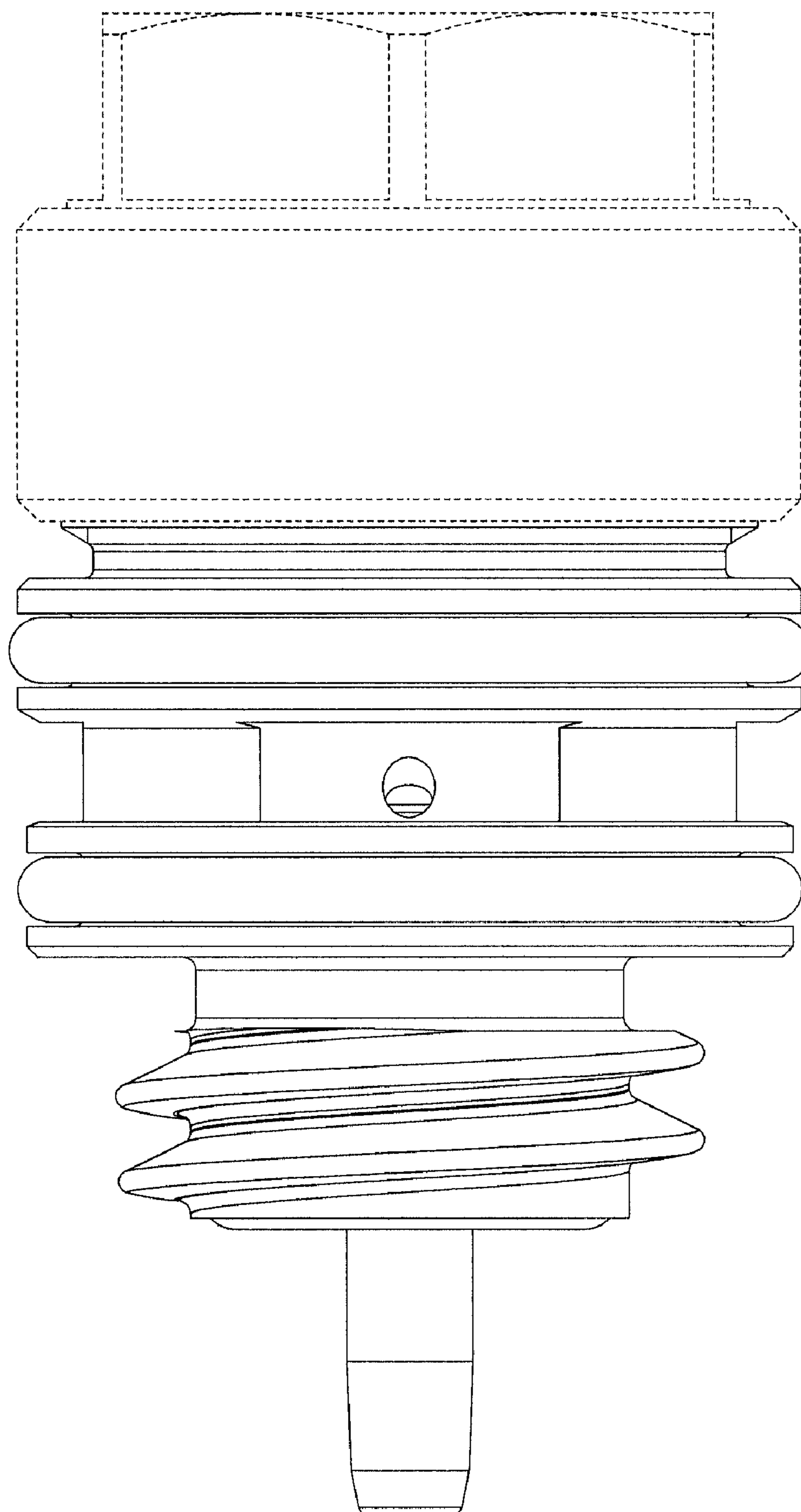


FIG. 2

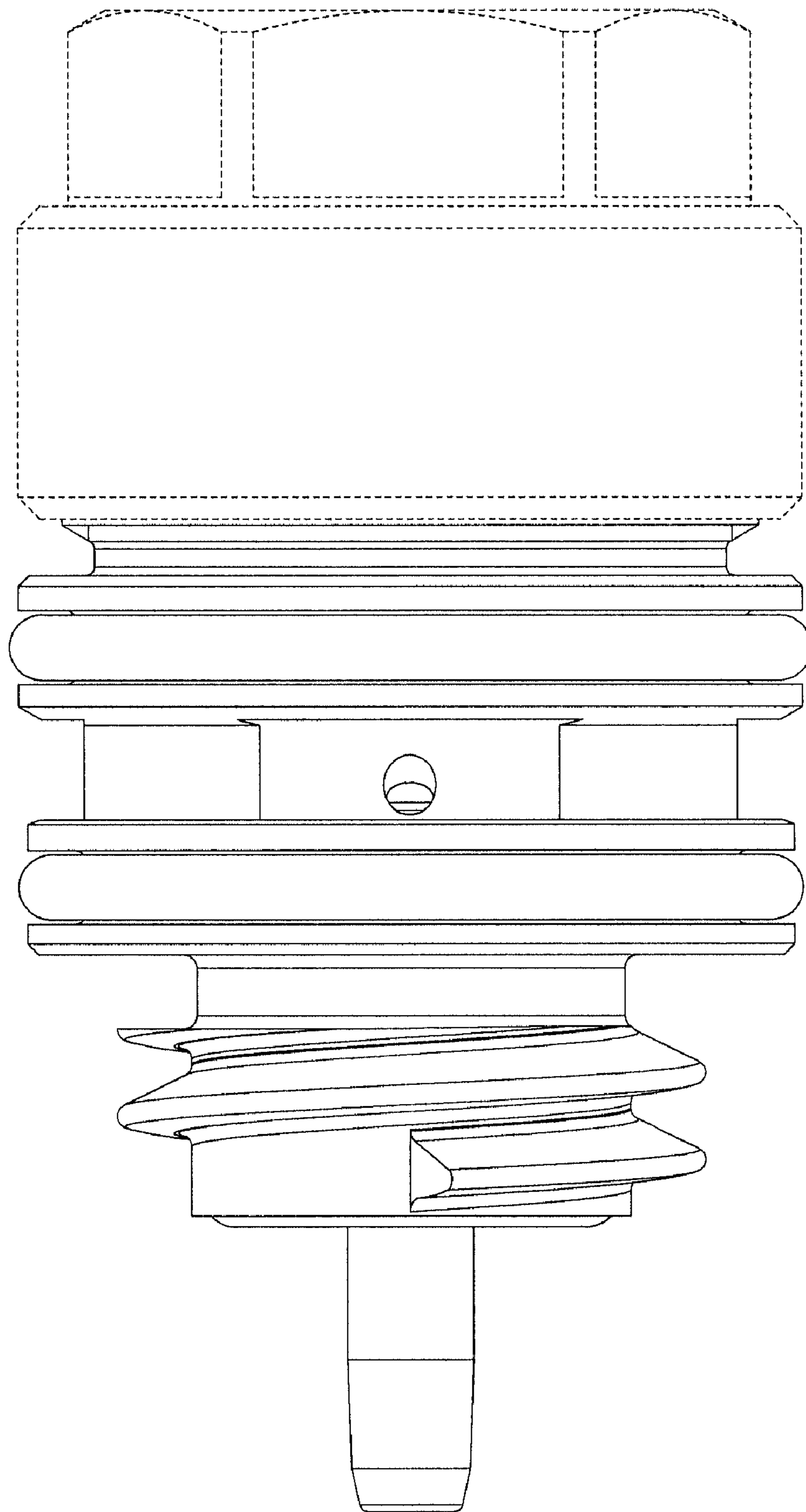


FIG. 3

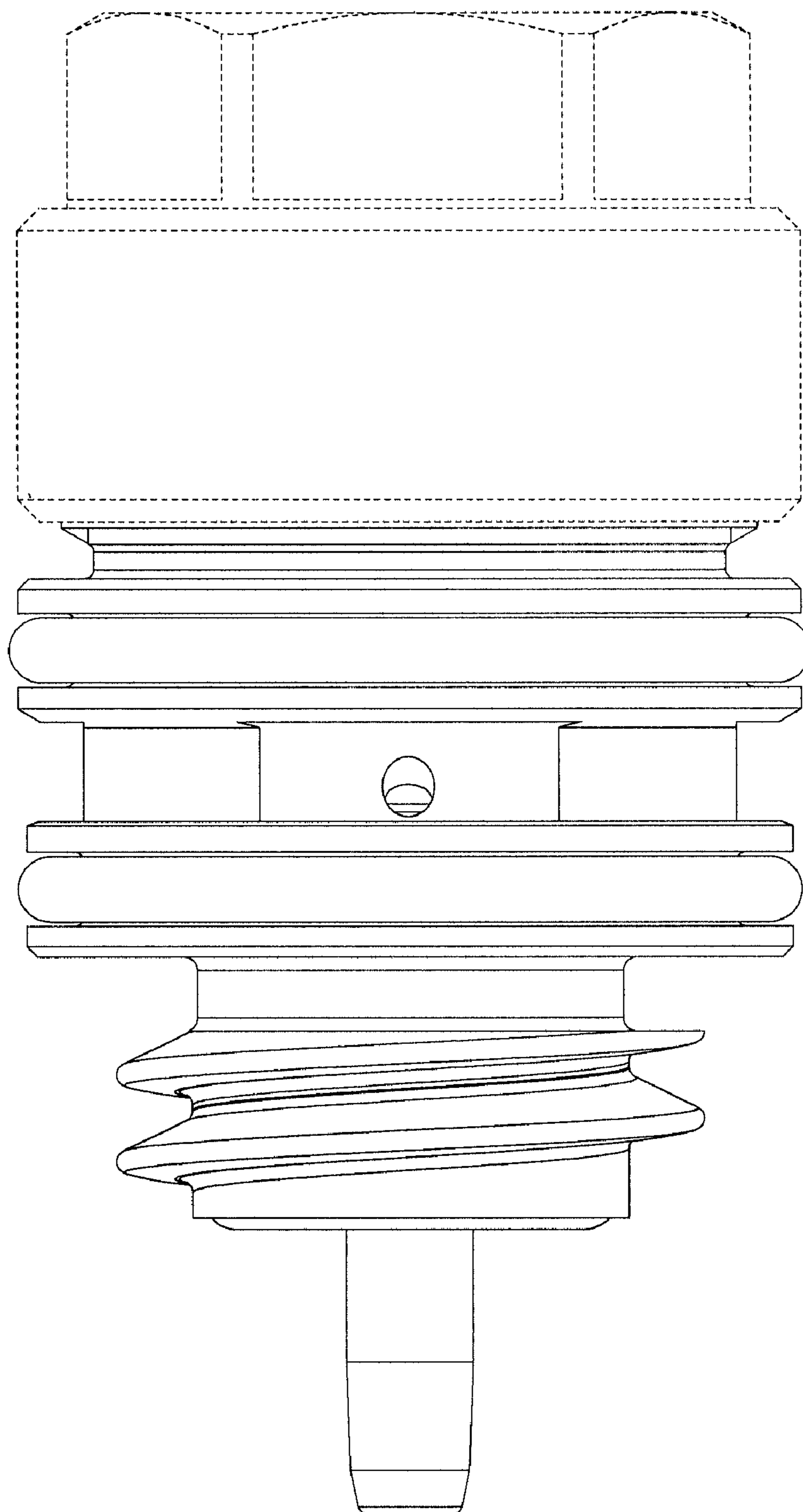


FIG. 4

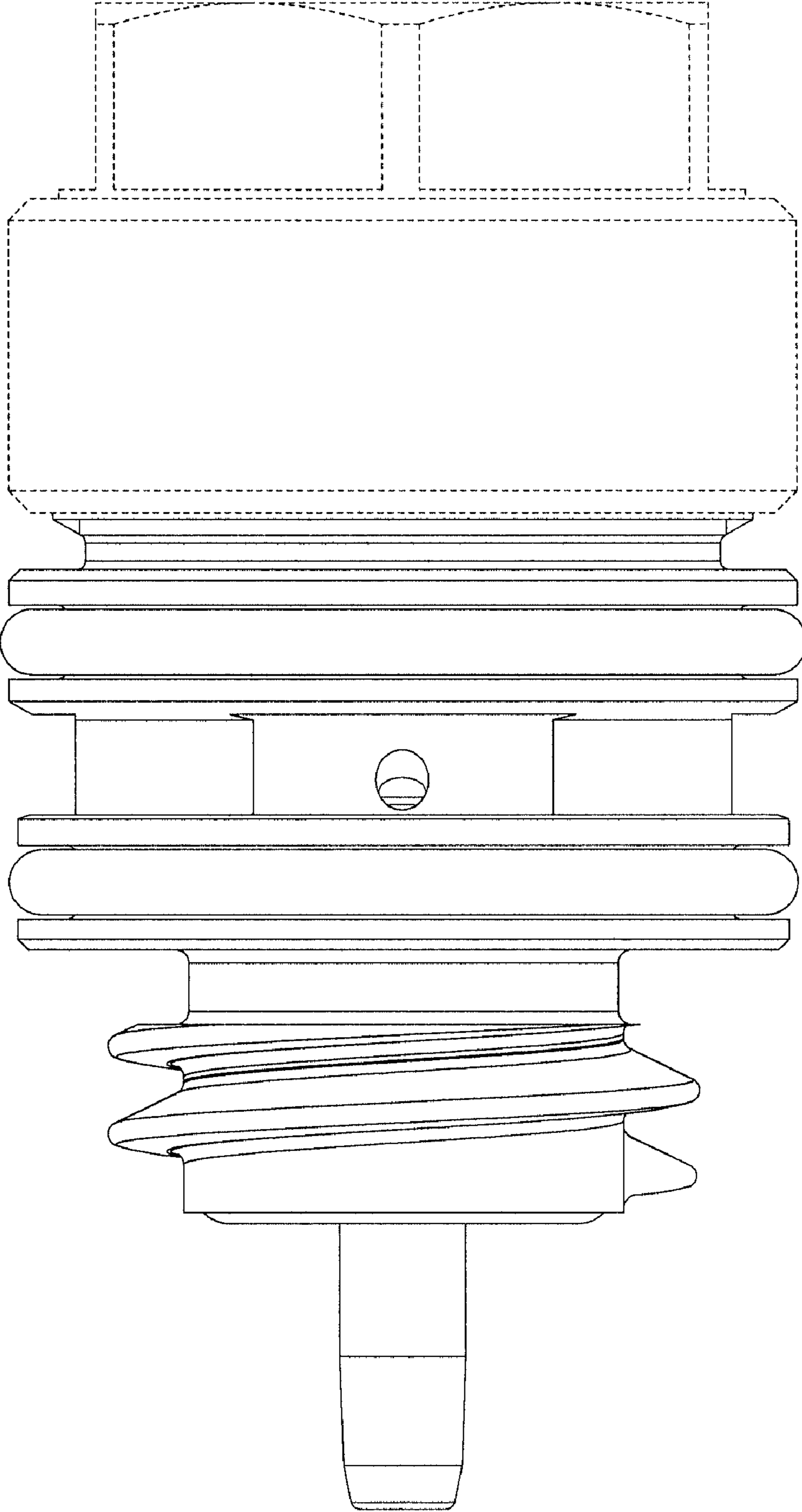


FIG. 5

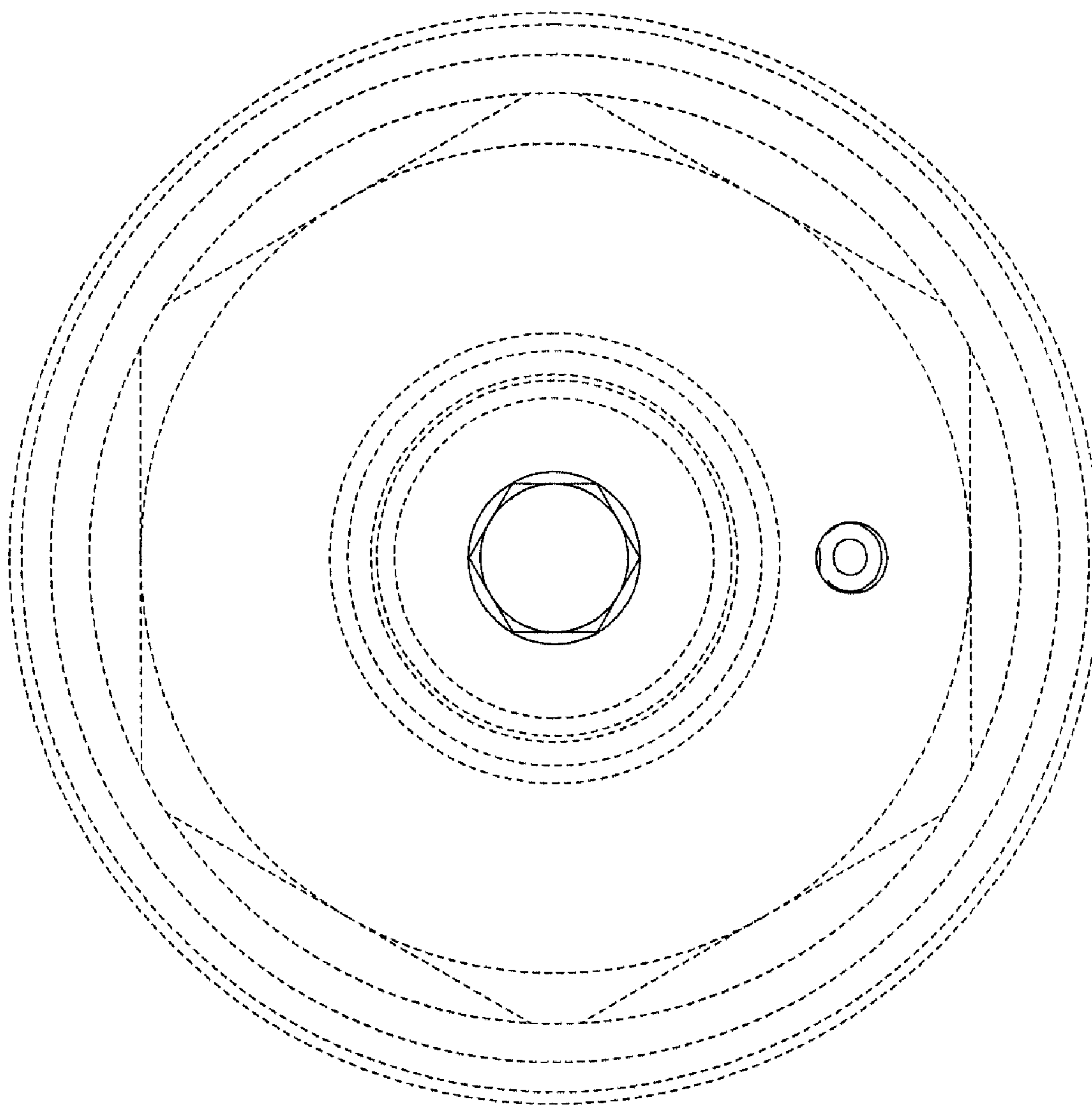


FIG. 6

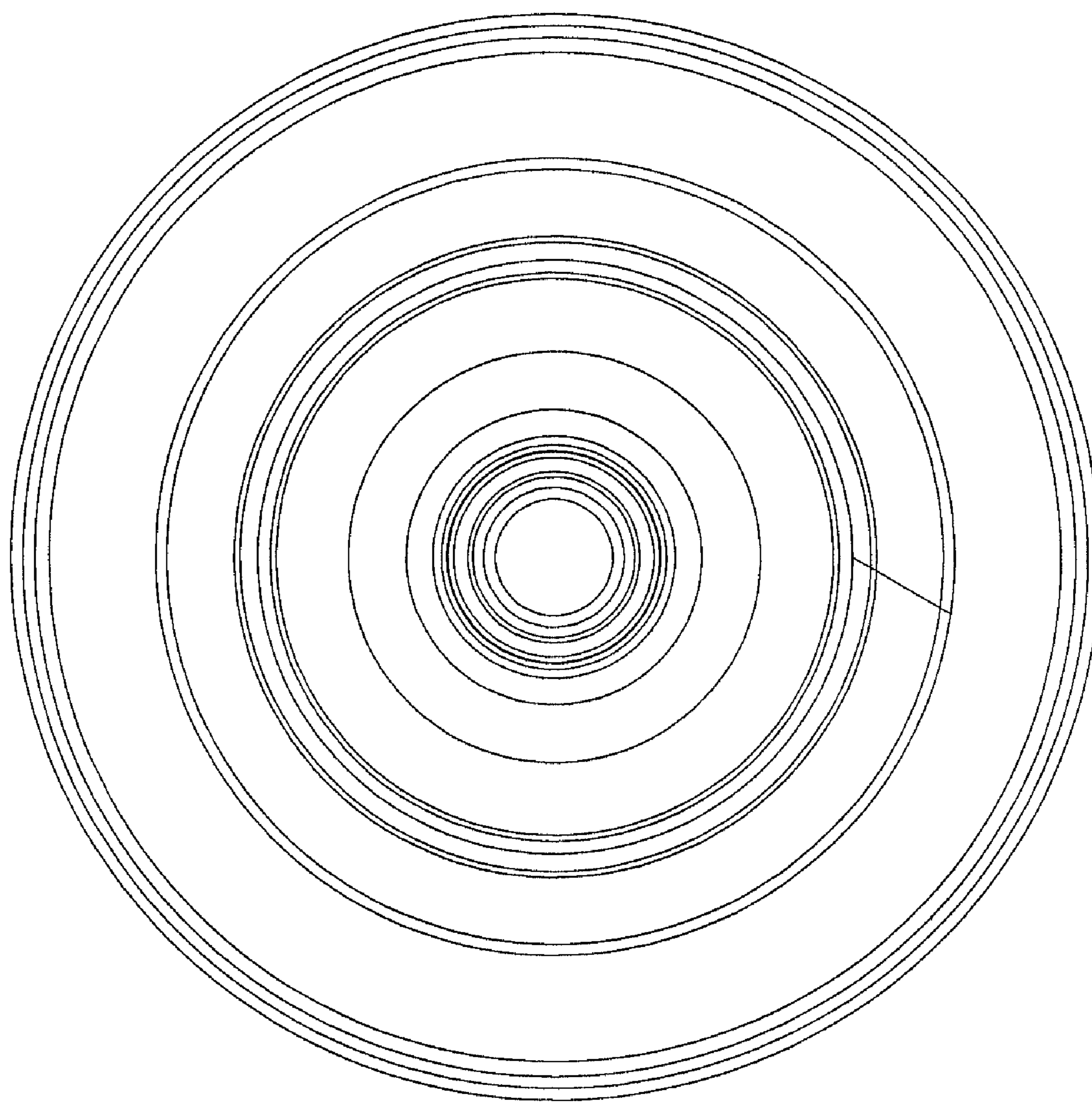


FIG. 7