



US00D636842S

(12) **United States Design Patent**
Nolte et al.

(10) **Patent No.:** **US D636,842 S**
(45) **Date of Patent:** **** Apr. 26, 2011**

(54) **ROTARY ATOMIZER**

(56) **References Cited**

(75) Inventors: **Hans-Jürgen Nolte**, Besigheim (DE);
Andreas Fischer, Ludwigsburg (DE);
Peter Marquardt, Steinheim (DE);
Jürgen Berkowitsch, Neuhausen (DE);
Joachim Schneider, Tauberischofsheim
(DE)

U.S. PATENT DOCUMENTS

4,555,058	A *	11/1985	Weinstein et al.	239/223
6,811,094	B2 *	11/2004	Kon et al.	239/223
6,972,052	B2 *	12/2005	Krumma et al.	118/300
6,988,673	B2 *	1/2006	Kon et al.	239/223
7,017,835	B2 *	3/2006	Vetter et al.	239/380
7,080,794	B2 *	7/2006	Baumann et al.	239/223
7,131,601	B2 *	11/2006	Nolte et al.	239/224
7,661,610	B2 *	2/2010	Yamada	239/706

(73) Assignee: **Duerr Systems GmbH**,
Bietigheim-Bissingen (DE)

* cited by examiner

(**) Term: **14 Years**

Primary Examiner — Robin V Webster

(21) Appl. No.: **29/361,650**

(74) *Attorney, Agent, or Firm* — Rader Fishman Grauer

(22) Filed: **May 13, 2010**

(57) **CLAIM**

The ornamental design for a rotary atomizer, as shown and described.

(30) **Foreign Application Priority Data**

DESCRIPTION

Nov. 13, 2009 (EM) 001181705-0001

(51) **LOC (9) Cl.** **23-01**

(52) **U.S. Cl.** **D23/213**

(58) **Field of Classification Search** D23/213;
239/223, 225.1, 290, 291, 292; 427/475;
118/300

FIG. 1 is a front quarter view of a rotary atomizer showing our new design;

FIG. 2 is a front view thereof;

FIG. 3 is a rear view thereof;

FIG. 4 is a side view thereof;

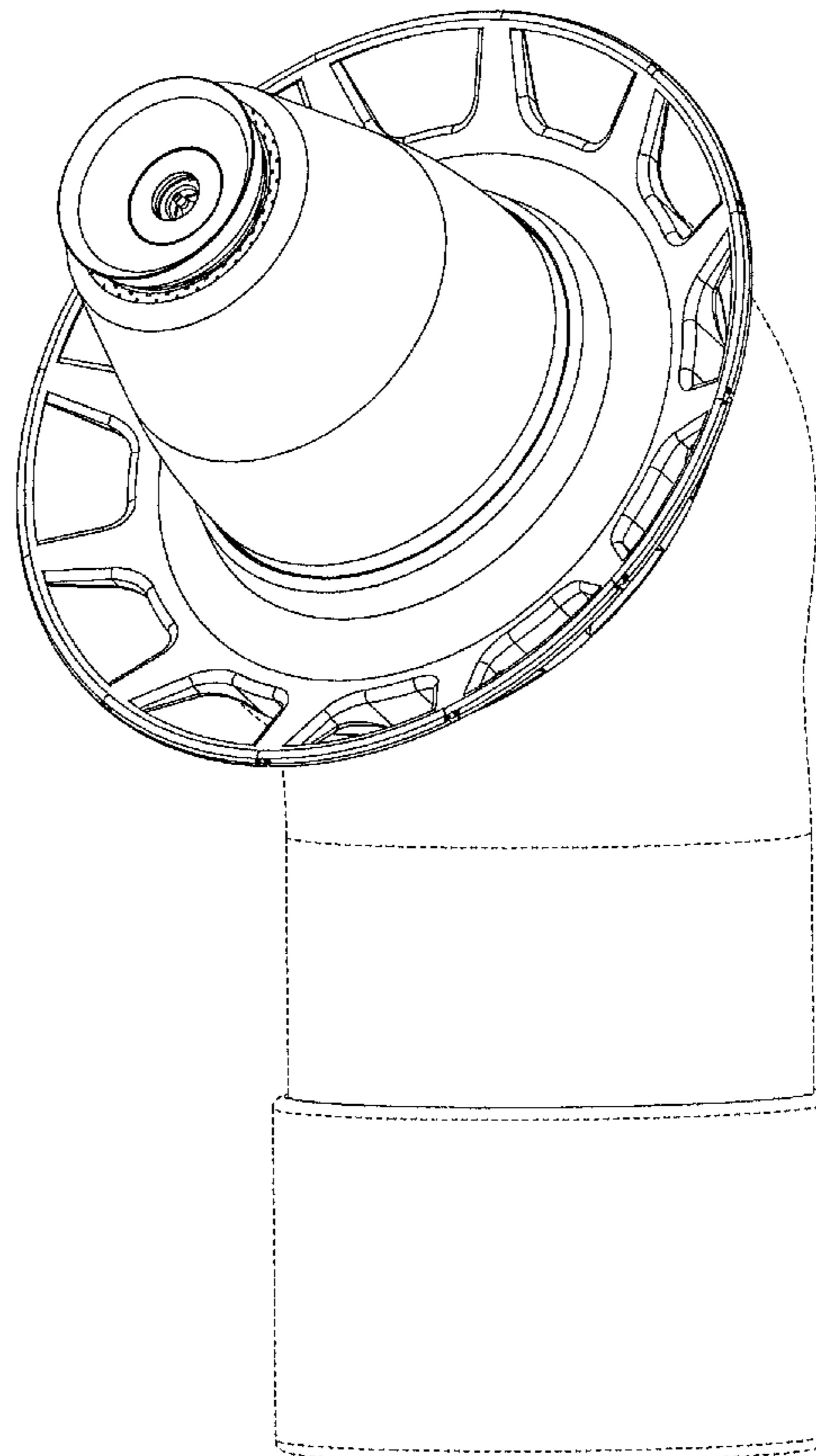
FIG. 5 is a top view thereof; and,

FIG. 6 is a bottom view thereof.

The broken lines in the FIGS. are directed to environment and are for illustrative purposes only. The broken lines form no part of the claimed design.

See application file for complete search history.

1 Claim, 6 Drawing Sheets



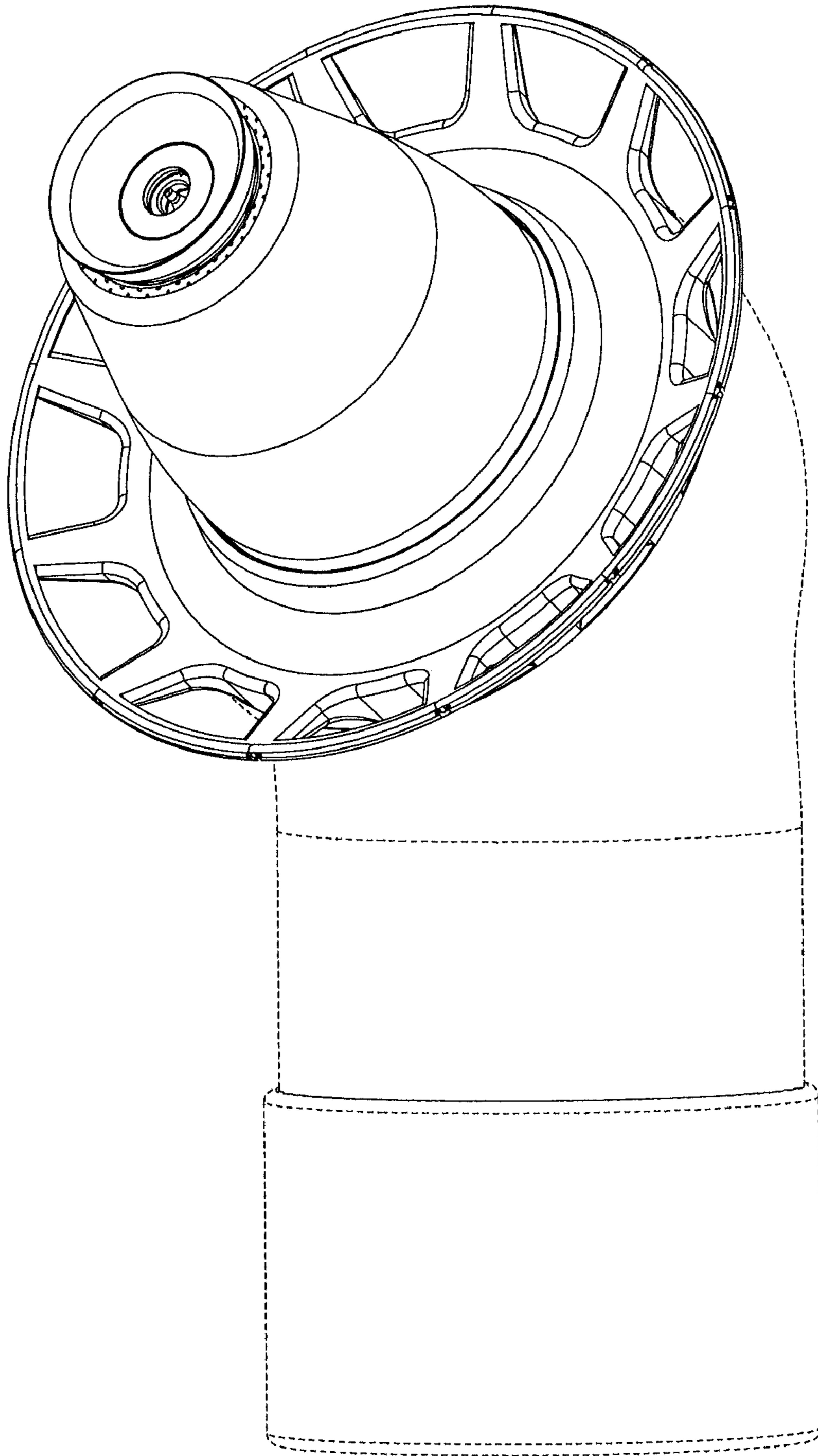


FIG. 1

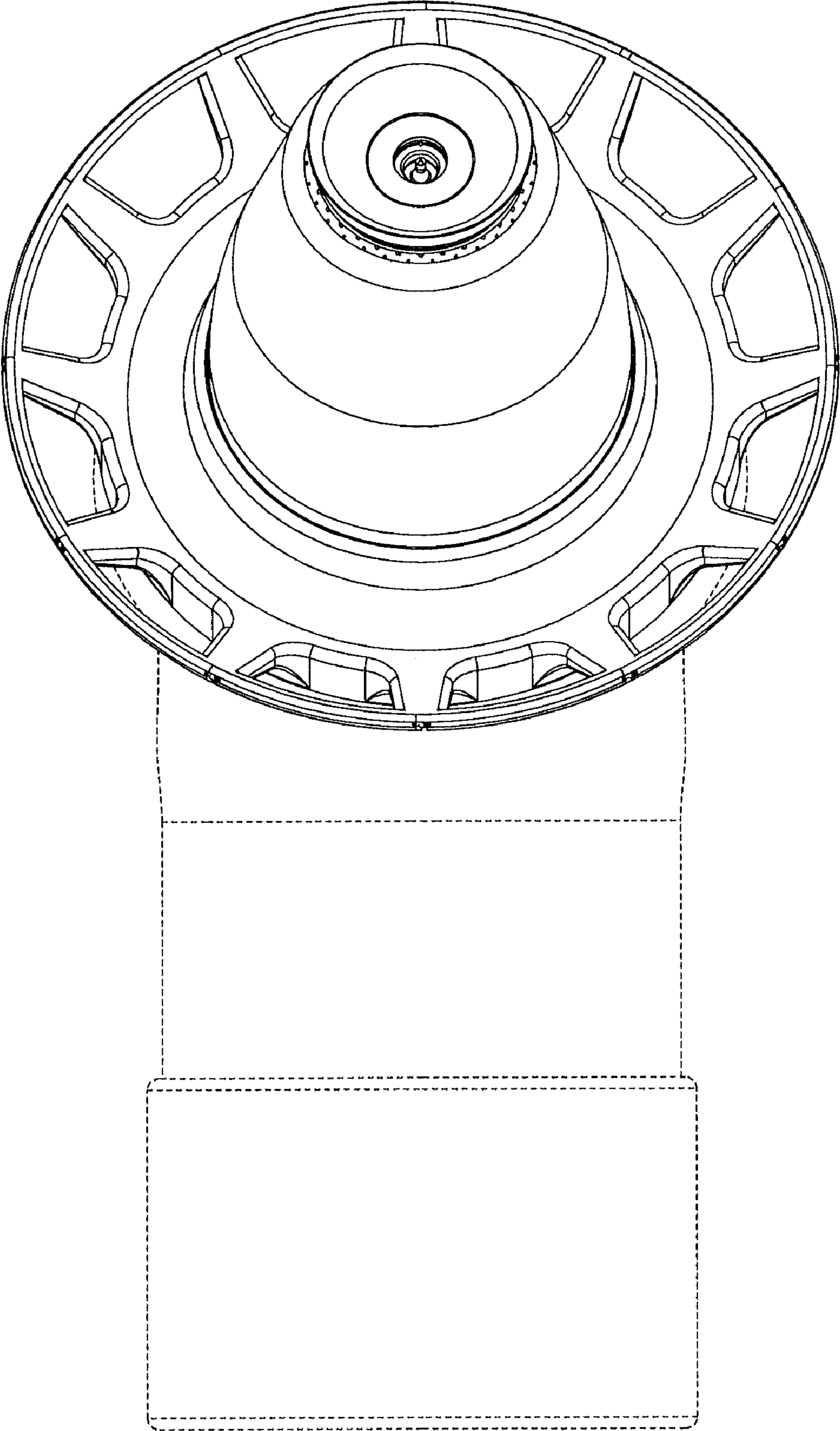


FIG. 2

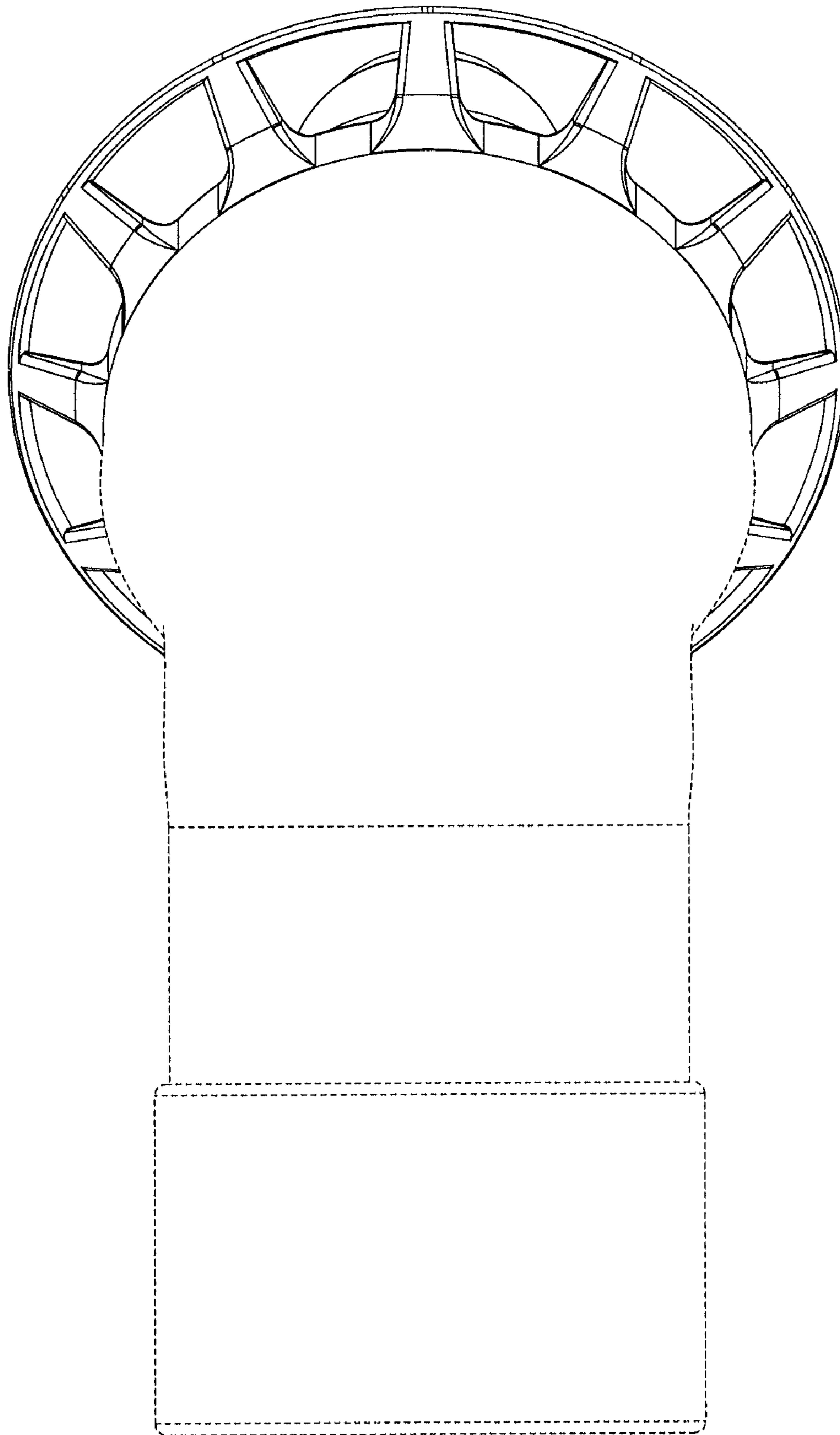


FIG. 3

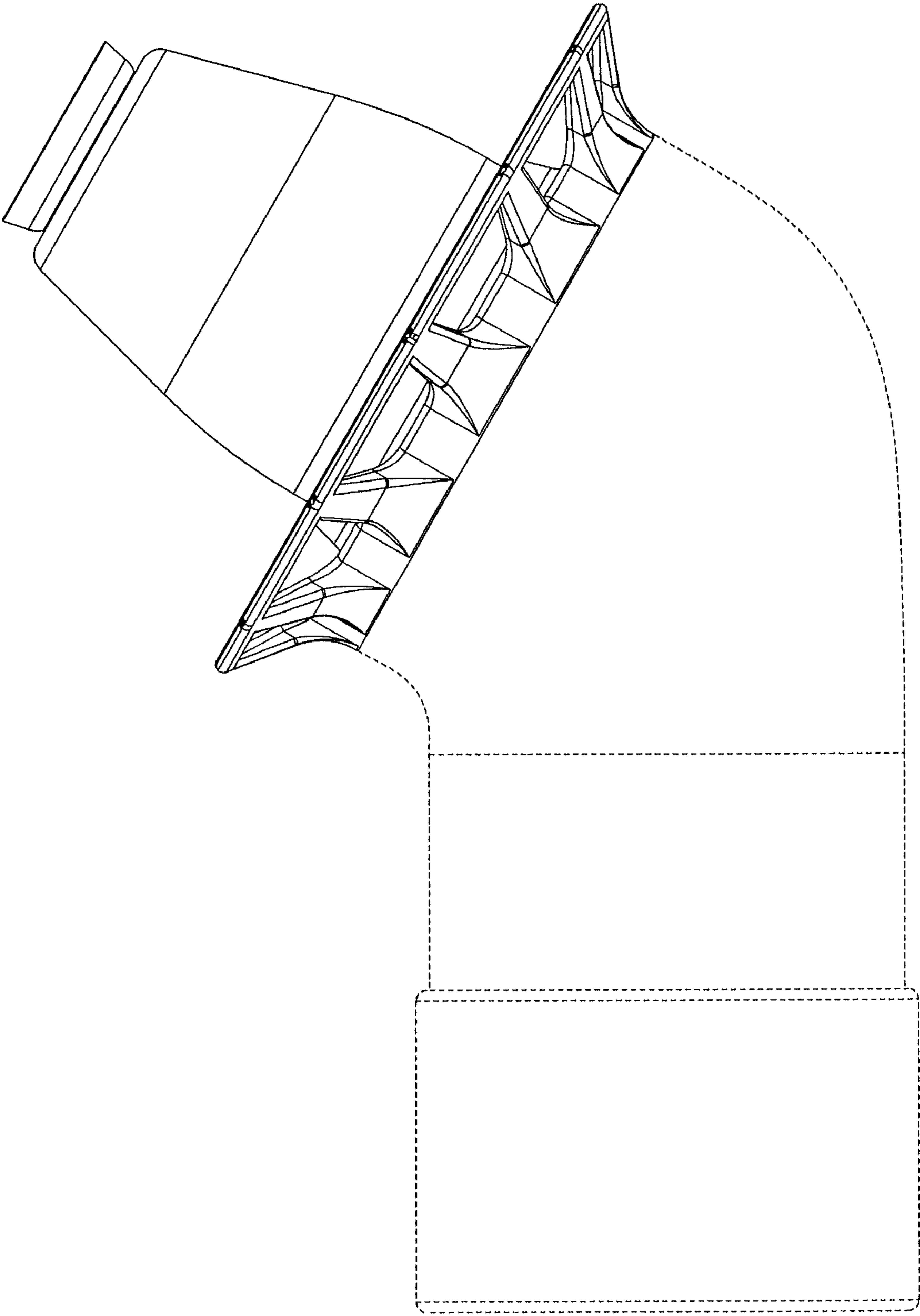


FIG. 4

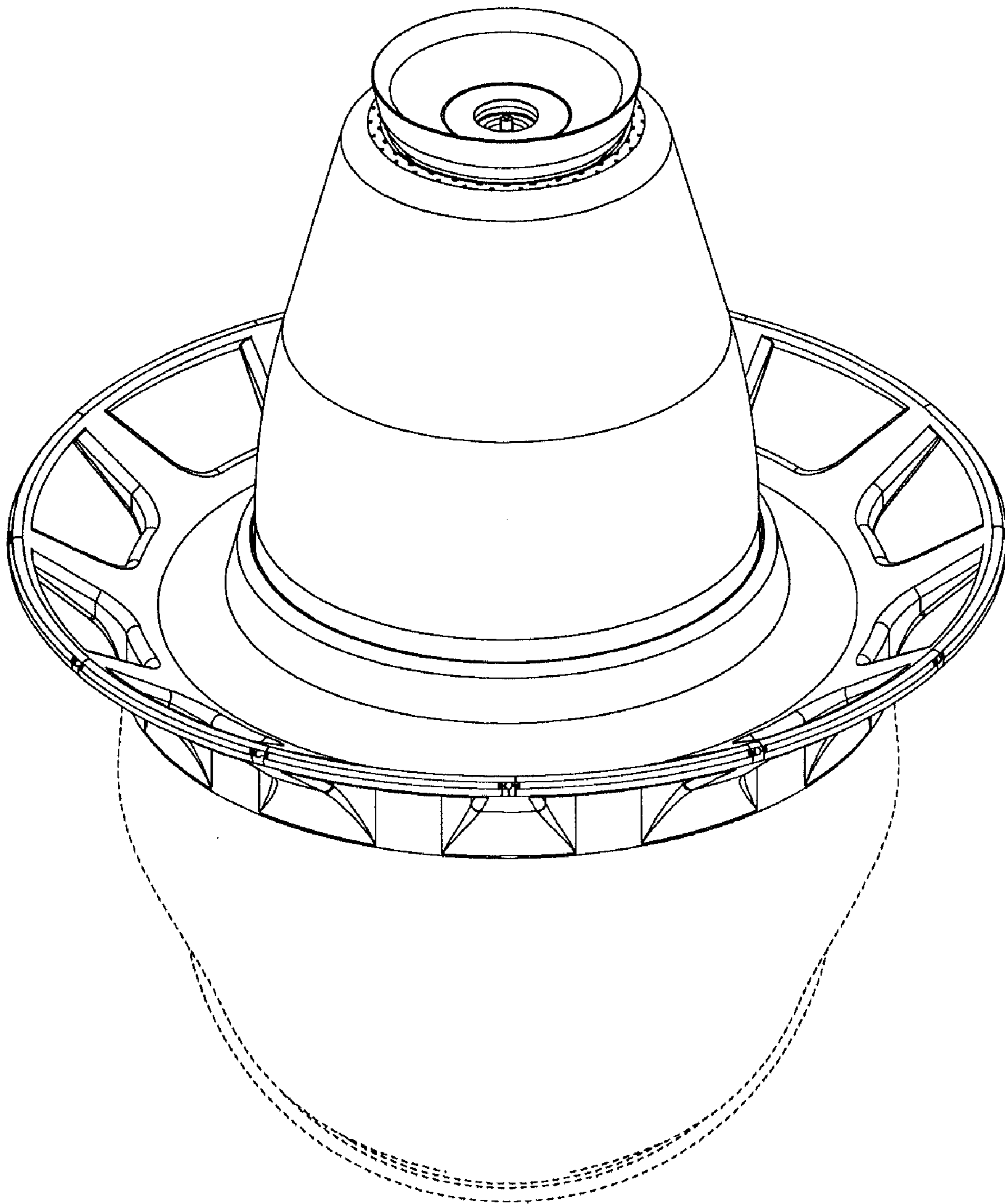


FIG. 5

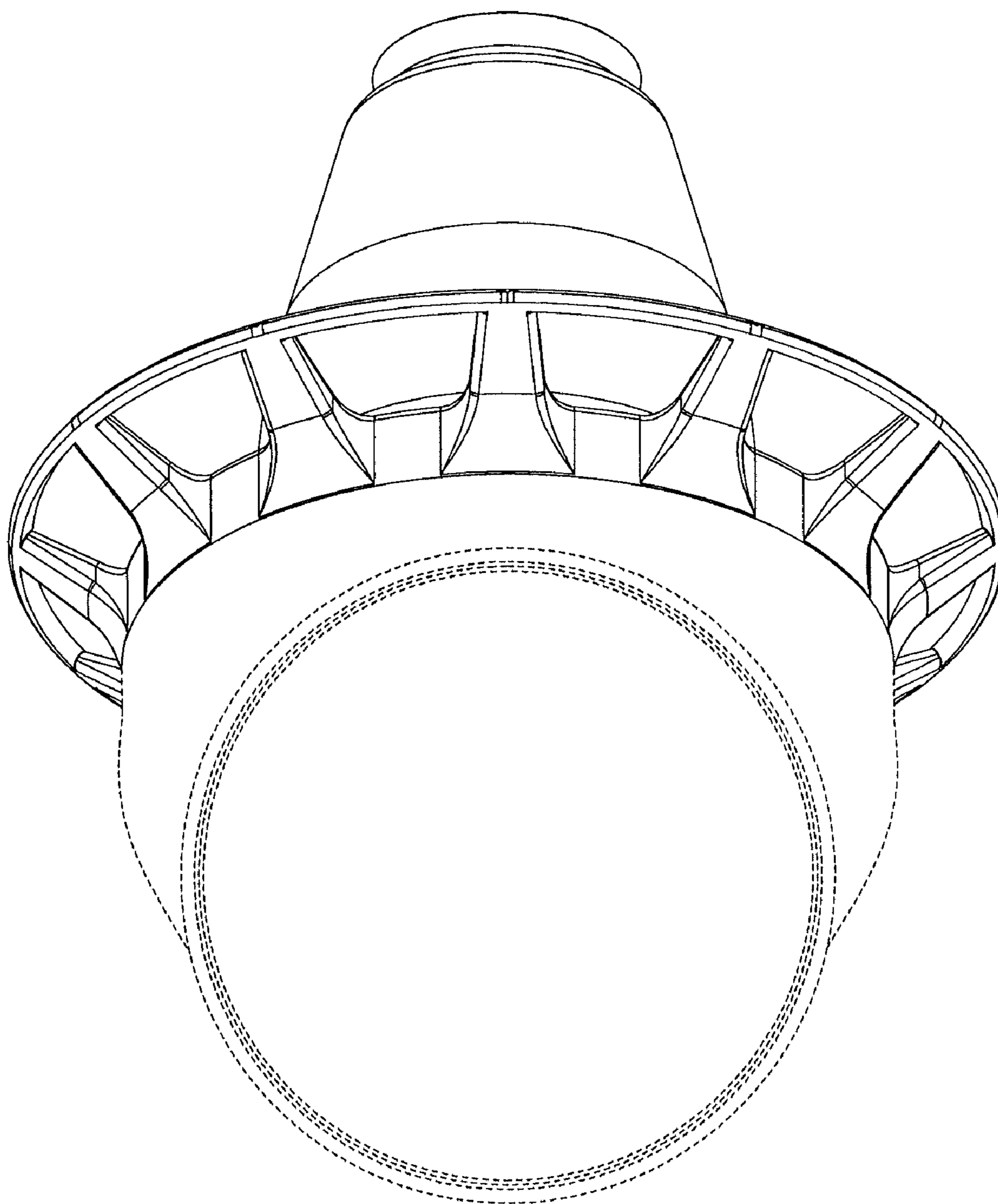


FIG. 6