



US00D636839S

(12) **United States Design Patent**  
**Thomas**

(10) **Patent No.:** **US D636,839 S**

(45) **Date of Patent:** **\*\* Apr. 26, 2011**

(54) **FISHING ROD GUIDE**

(75) Inventor: **Bailus Dee Thomas**, Livermore, CA (US)

(73) Assignee: **Black Dog Bait Co.**, Danville, CA (US)

(\*\*) Term: **14 Years**

(21) Appl. No.: **29/355,991**

(22) Filed: **Feb. 18, 2010**

(51) **LOC (9) Cl.** ..... **22-05**

(52) **U.S. Cl.** ..... **D22/143**

(58) **Field of Classification Search** ..... D22/143,  
D22/137-139, 147, 199; 43/24-25  
See application file for complete search history.

(56) **References Cited**

**U.S. PATENT DOCUMENTS**

D108,720	S	*	3/1938	Morgan	.....	D22/143
2,775,054	A	*	12/1956	Shinbane	.....	43/24
3,060,618	A	*	10/1962	Grishkin	.....	43/24
5,361,529	A	*	11/1994	Lindler	.....	43/24
D418,575	S	*	1/2000	Ohmura	.....	D22/143
6,612,065	B1	*	9/2003	Blanchette et al.	.....	43/24

\* cited by examiner

*Primary Examiner* — Catherine R Oliver

(74) *Attorney, Agent, or Firm* — Richard T. Ogawa; Ogawa P.C.

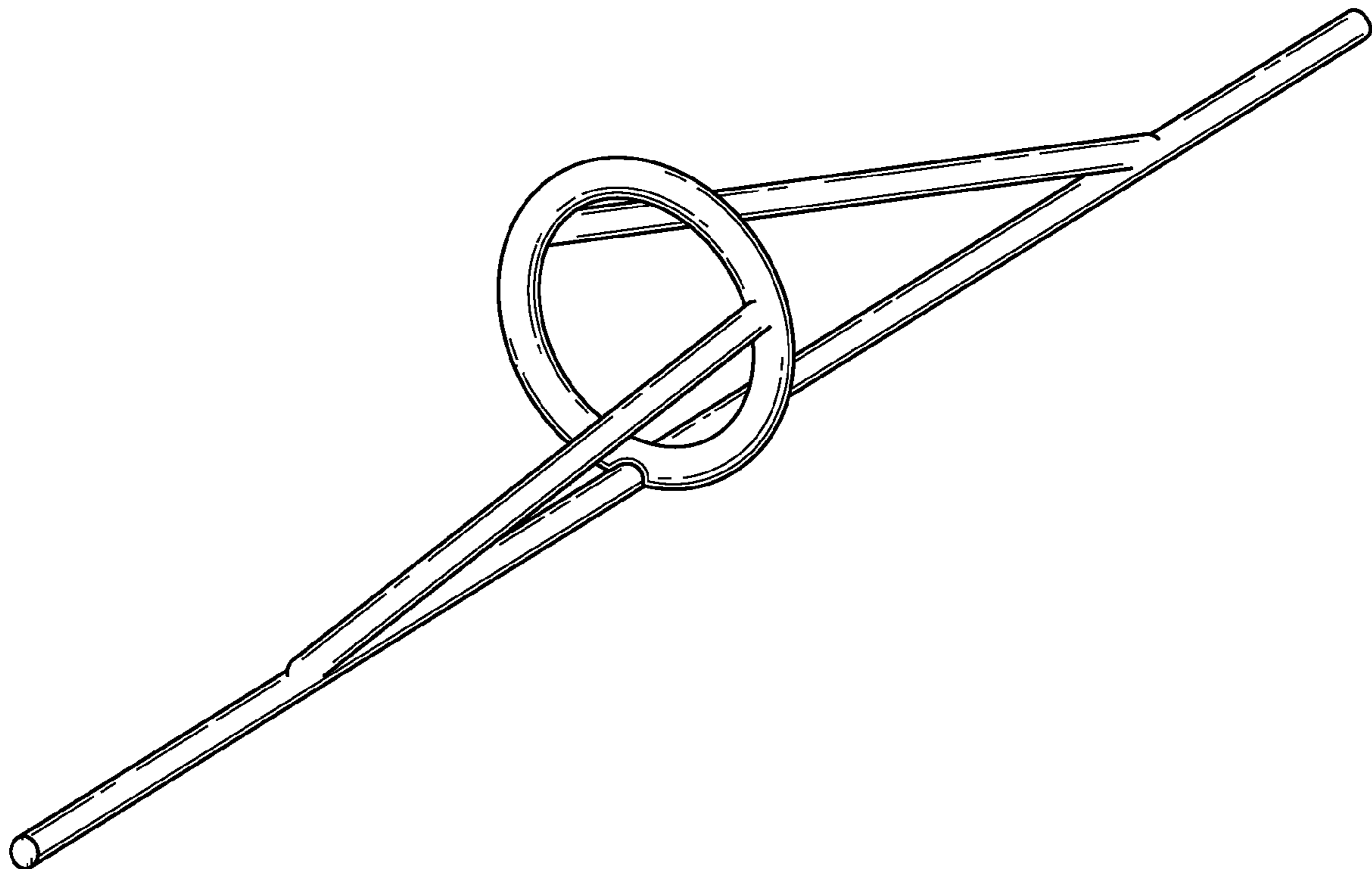
(57) **CLAIM**

The ornamental design for a fishing rod guide, as shown and described.

**DESCRIPTION**

FIG. 1 is a perspective view of a fishing rod guide showing my new design;  
FIG. 2 is a perspective view of two fishing rod guides of FIG. 1 on a fishing rod showing an environment of use;  
FIG. 3 is a right elevation view of the fishing rod guide of FIG. 1, a left side elevation view being a mirror image of FIG. 3;  
FIG. 4 is a top plan view thereof;  
FIG. 5 is a bottom plan view thereof; and,  
FIG. 6 is a front elevation view thereof, a rear elevation view being a mirror image of FIG. 6.  
The broken lines shown represent unclaimed subject matter and form no part of the claimed design.

**1 Claim, 3 Drawing Sheets**



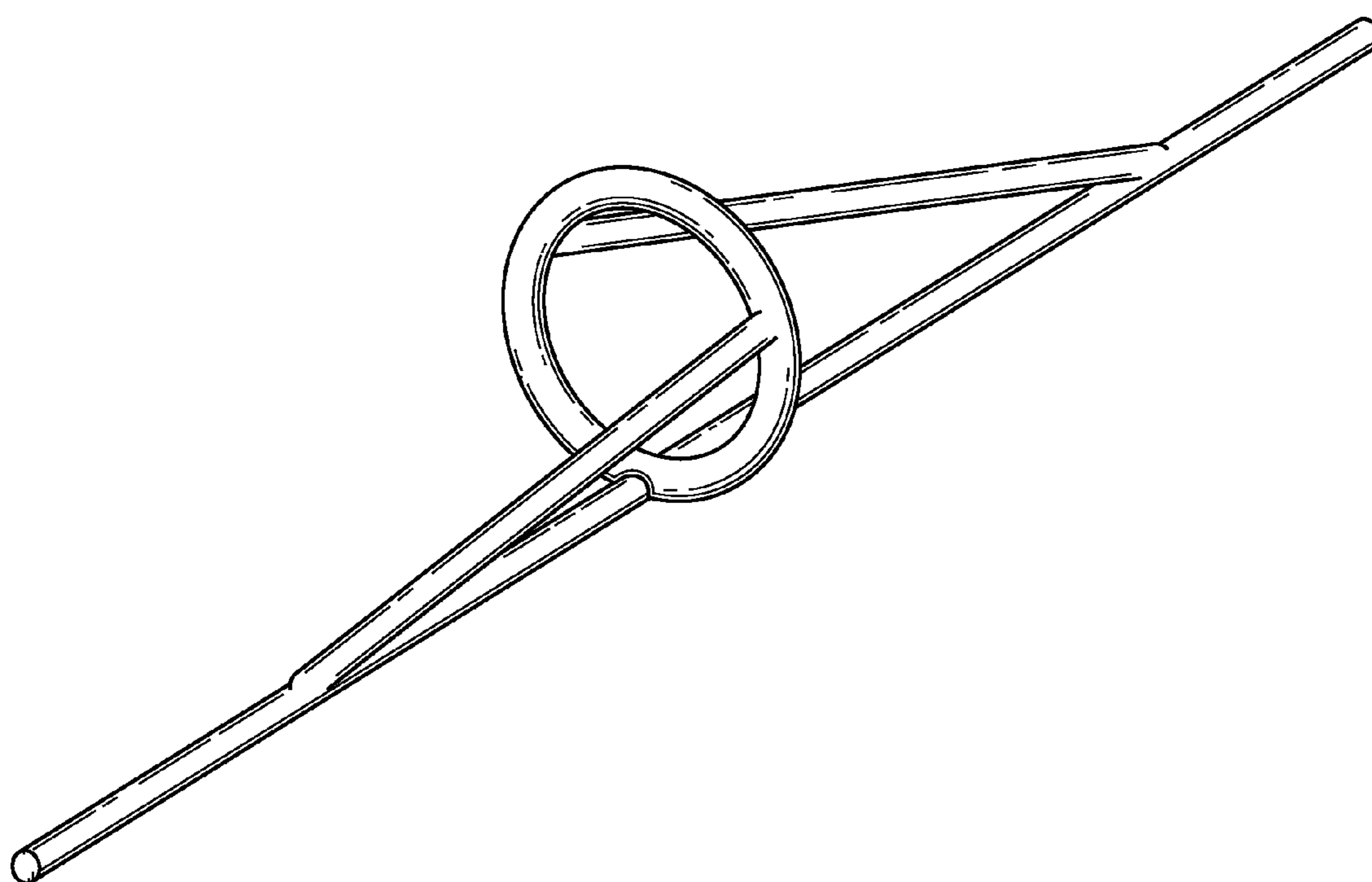


FIG. 1

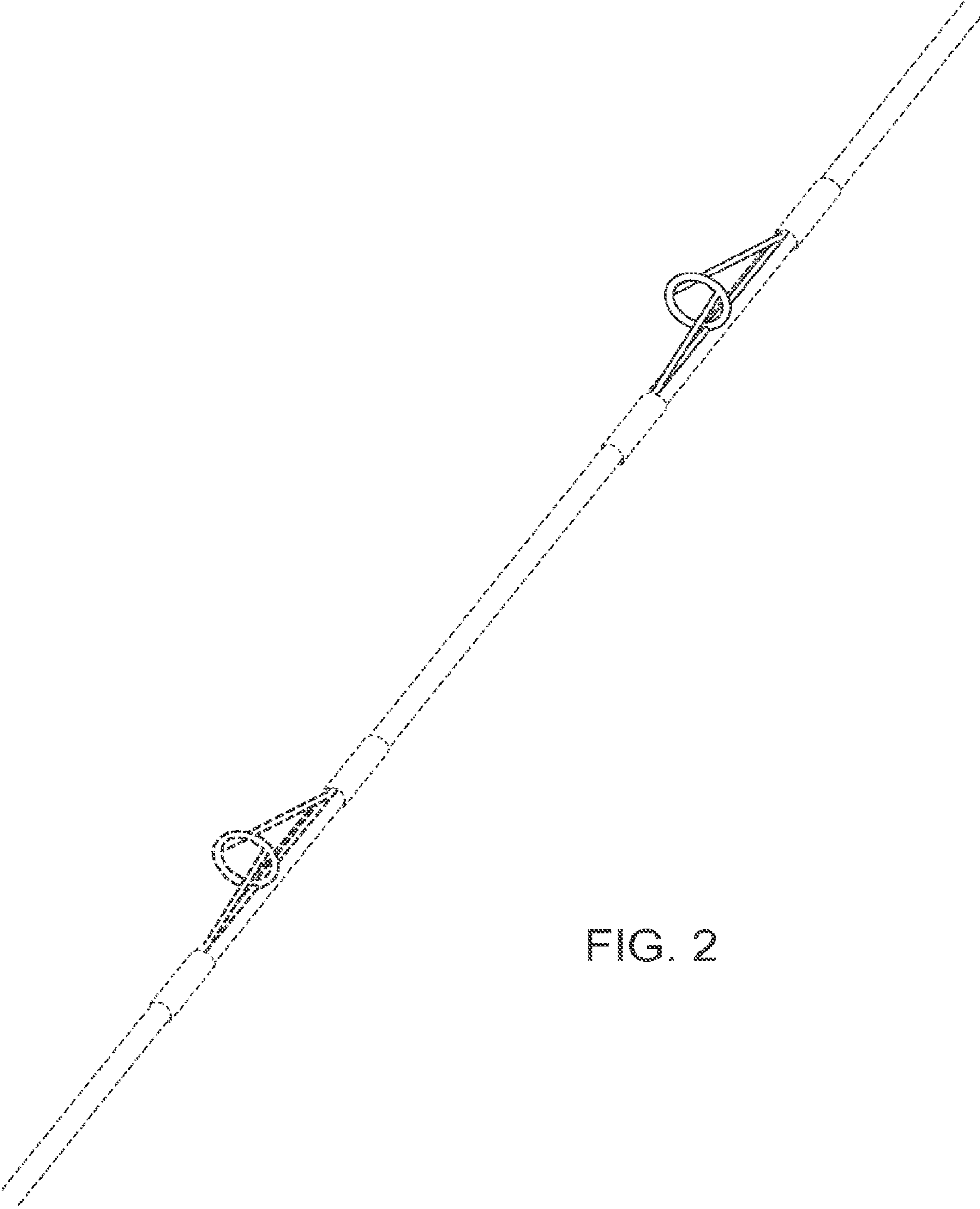


FIG. 2

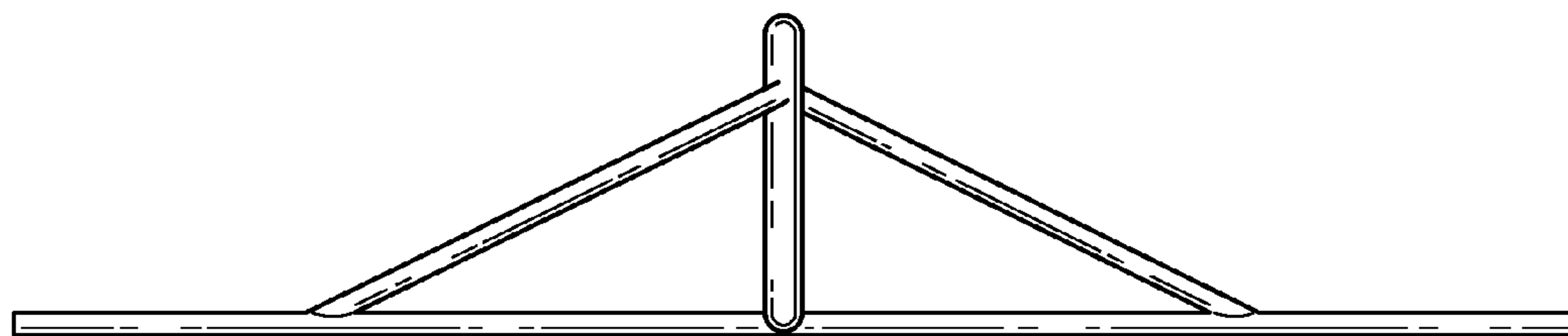


FIG. 3

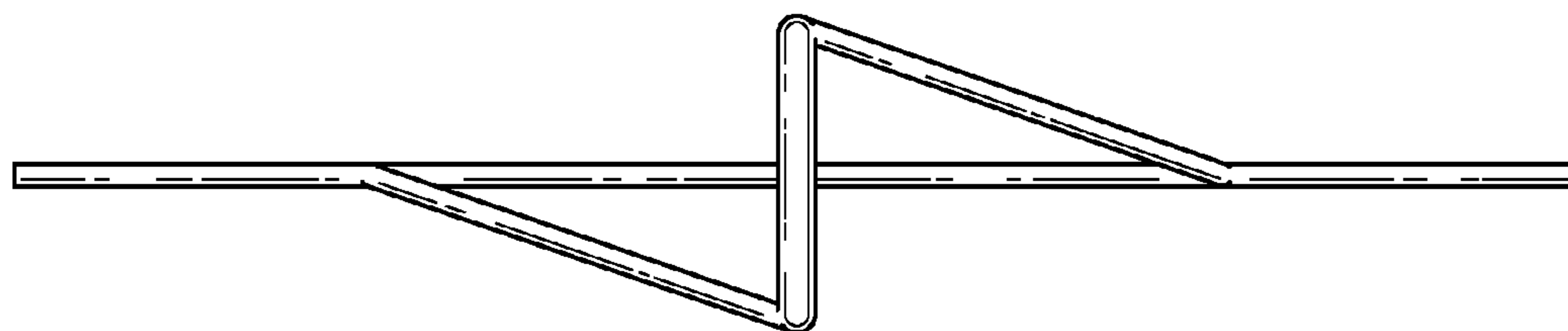


FIG. 4

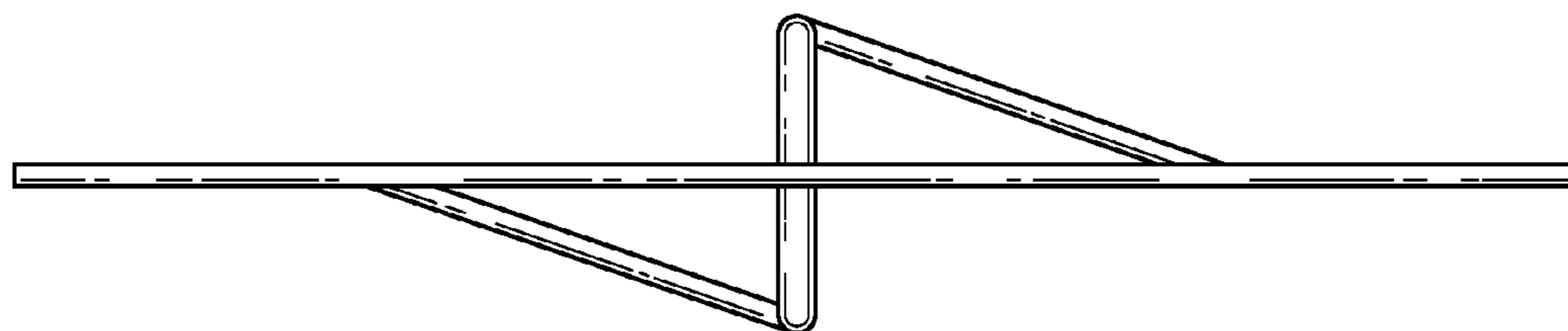


FIG. 5

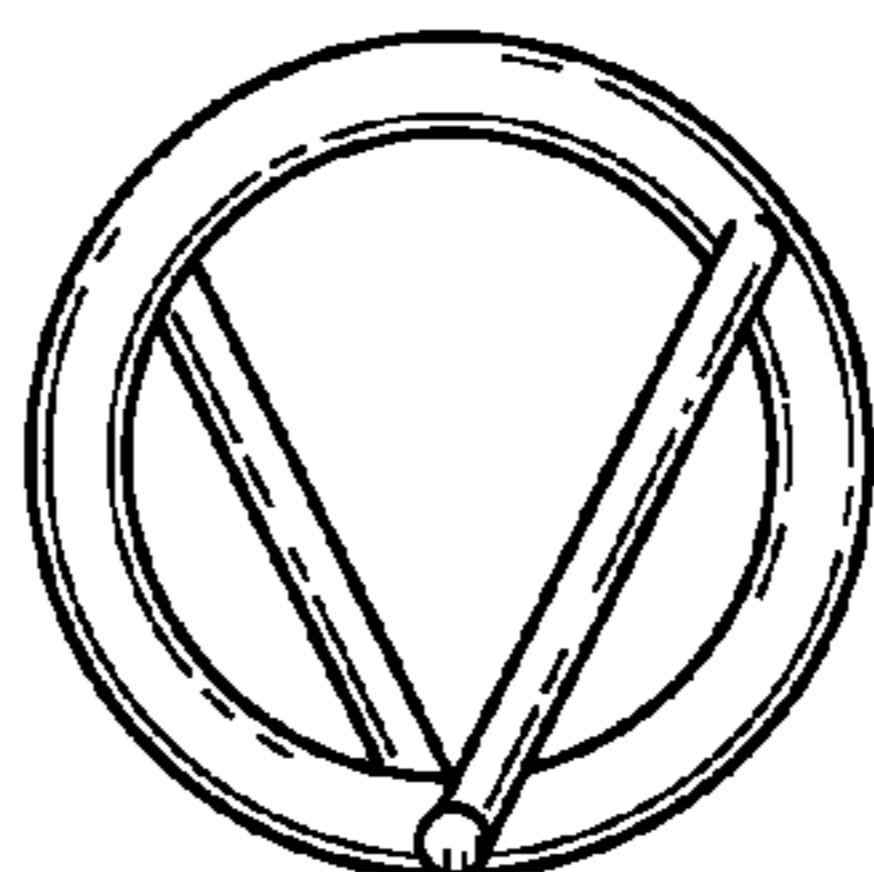


FIG. 6

UNITED STATES PATENT AND TRADEMARK OFFICE  
**CERTIFICATE OF CORRECTION**

PATENT NO. : D636,839 S  
APPLICATION NO. : 29/355991  
DATED : April 26, 2011  
INVENTOR(S) : Bailus Dee Thomas

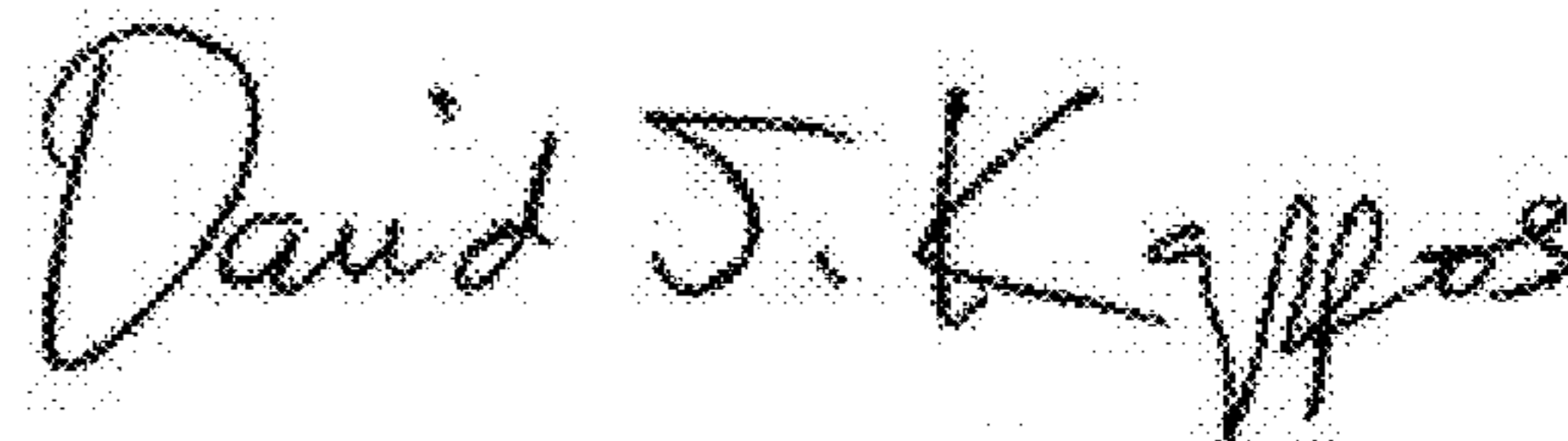
Page 1 of 1

It is certified that error appears in the above-identified patent and that said Letters Patent is hereby corrected as shown below:

In the Assignee field should read as follows:

-- DEE THOMAS FISHING LLC of PALO ALTO, CALIFORNIA USA --

Signed and Sealed this  
Ninth Day of August, 2011

A handwritten signature in black ink that reads "David J. Kappos". The signature is written in a cursive, slightly slanted style.

David J. Kappos  
*Director of the United States Patent and Trademark Office*

UNITED STATES PATENT AND TRADEMARK OFFICE  
**CERTIFICATE OF CORRECTION**

PATENT NO. : D636,839 S  
APPLICATION NO. : 29/355991  
DATED : April 26, 2011  
INVENTOR(S) : Bailus Dee Thomas

Page 1 of 1

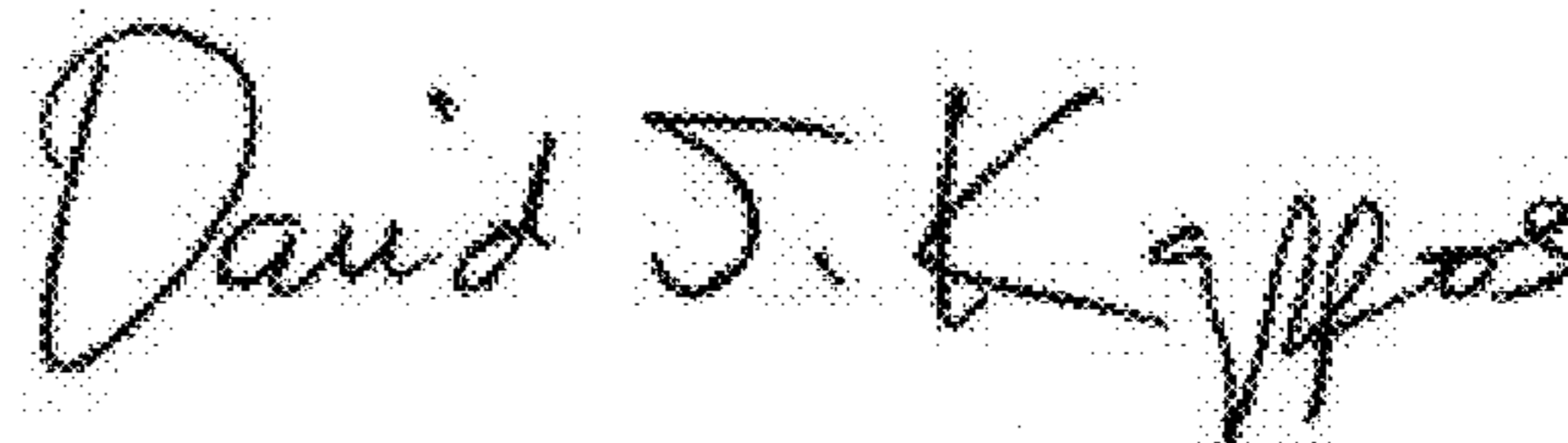
It is certified that error appears in the above-identified patent and that said Letters Patent is hereby corrected as shown below:

Title Page, Item (73) Assignee should read as follows:

-- DEE THOMAS FISHING LLC of PALO ALTO, CALIFORNIA USA --

This certificate supersedes the Certificate of Correction issued August 9, 2011.

Signed and Sealed this  
Thirtieth Day of August, 2011

A handwritten signature in black ink that reads "David J. Kappos". The signature is written in a cursive, slightly slanted style.

David J. Kappos  
*Director of the United States Patent and Trademark Office*