



US00D636838S

(12) **United States Design Patent**
Minkler

(10) **Patent No.:** **US D636,838 S**

(45) **Date of Patent:** **** Apr. 26, 2011**

(54) **FISHING LURE**

(76) **Inventor:** **Donald Dean Minkler, Jasper, MO (US)**

(**) **Term:** **14 Years**

(21) **Appl. No.:** **29/377,772**

(22) **Filed:** **Oct. 26, 2010**

(51) **LOC (9) Cl.** **22-05**

(52) **U.S. Cl.** **D22/128**

(58) **Field of Classification Search** D22/126-133;

43/42.11, 42.14, 42.13, 43.15, 42.74, 42.34,

43/42.39, 42.36, 42.08, 42.09, 42.31, 42.25

See application file for complete search history.

(56) **References Cited**

U.S. PATENT DOCUMENTS

D214,898 S *	8/1969	Turbeville	D22/128
D227,463 S *	6/1973	Perrin	D22/128
4,571,877 A *	2/1986	Montgomery	43/42.11
4,888,908 A *	12/1989	Morris	43/42.14
D381,061 S *	7/1997	Graham	D22/129
5,987,805 A *	11/1999	Laney	43/42.13

D471,951 S *	3/2003	Bowman	D22/129
6,918,204 B1 *	7/2005	Trantham	43/42.13
D550,322 S *	9/2007	Stacey	D22/128

* cited by examiner

Primary Examiner — Catheri Oliver

(74) *Attorney, Agent, or Firm* — Martin & Associates, LLC;
Derek P. Martin

(57) **CLAIM**

The ornamental design for a fishing lure, as shown and described.

DESCRIPTION

FIG. 1 is a perspective view of a fishing lure showing my new design;

FIG. 2 is a front view thereof;

FIG. 3 is a top view thereof;

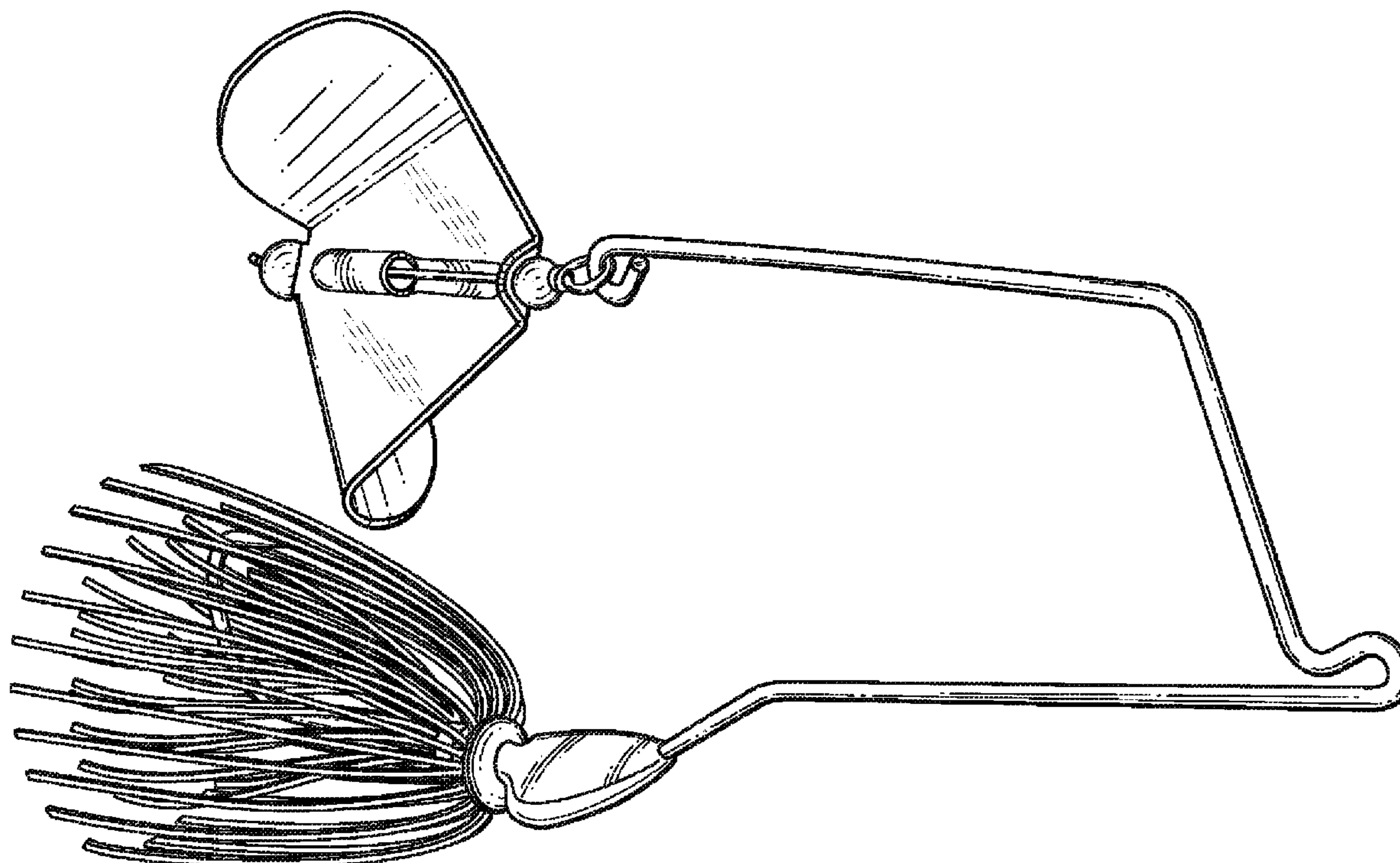
FIG. 4 is a left side view thereof;

FIG. 5 is a bottom view thereof;

FIG. 6 is a rear view thereof; and,

FIG. 7 is a right side view thereof.

1 Claim, 3 Drawing Sheets



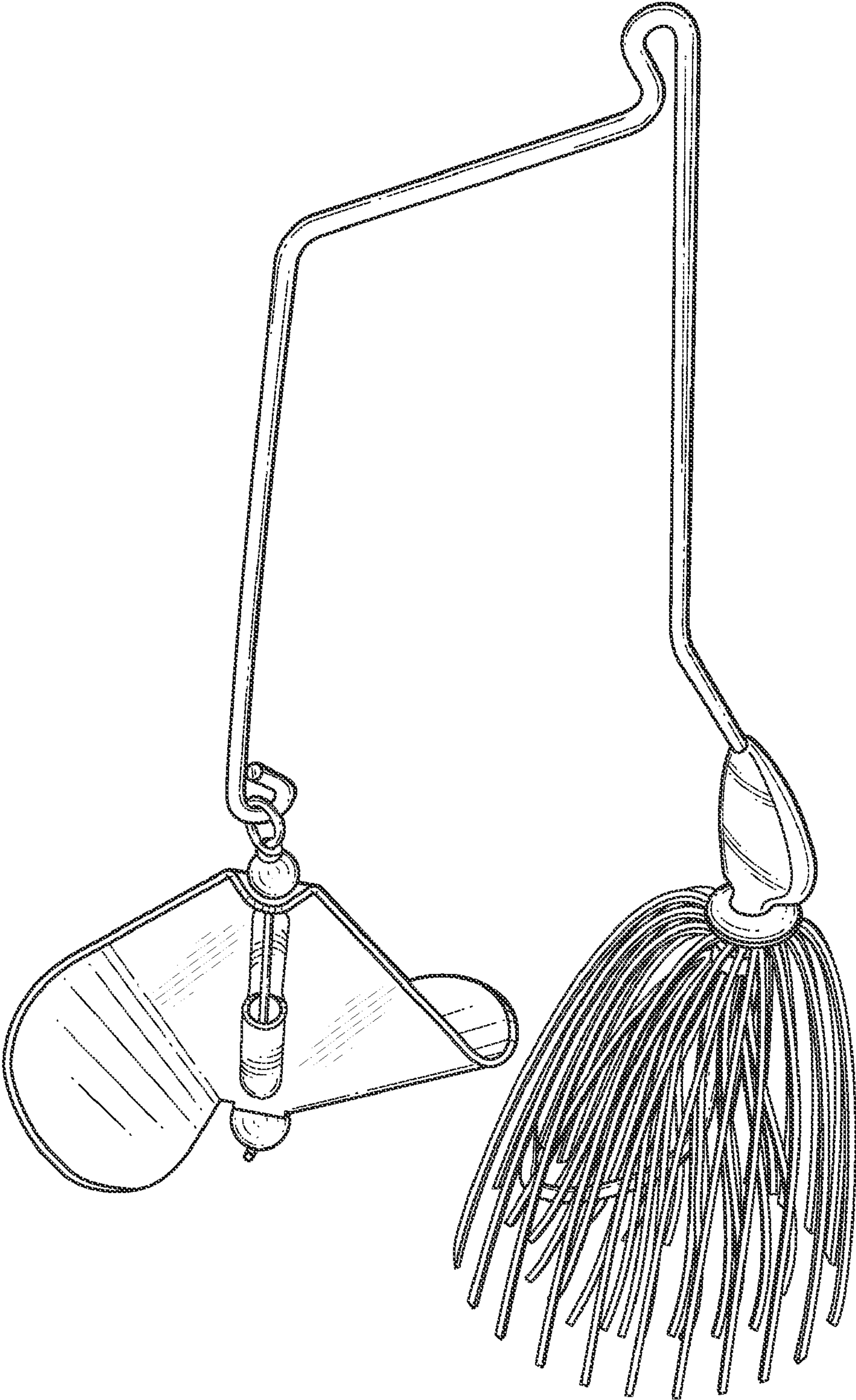


FIG. 1

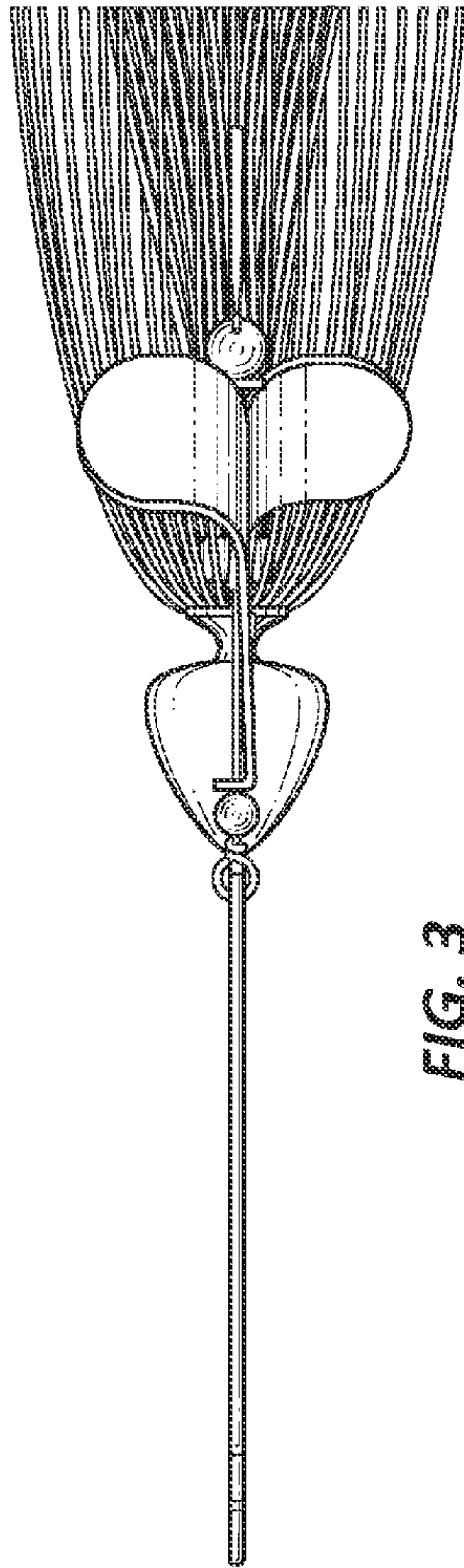


FIG. 3

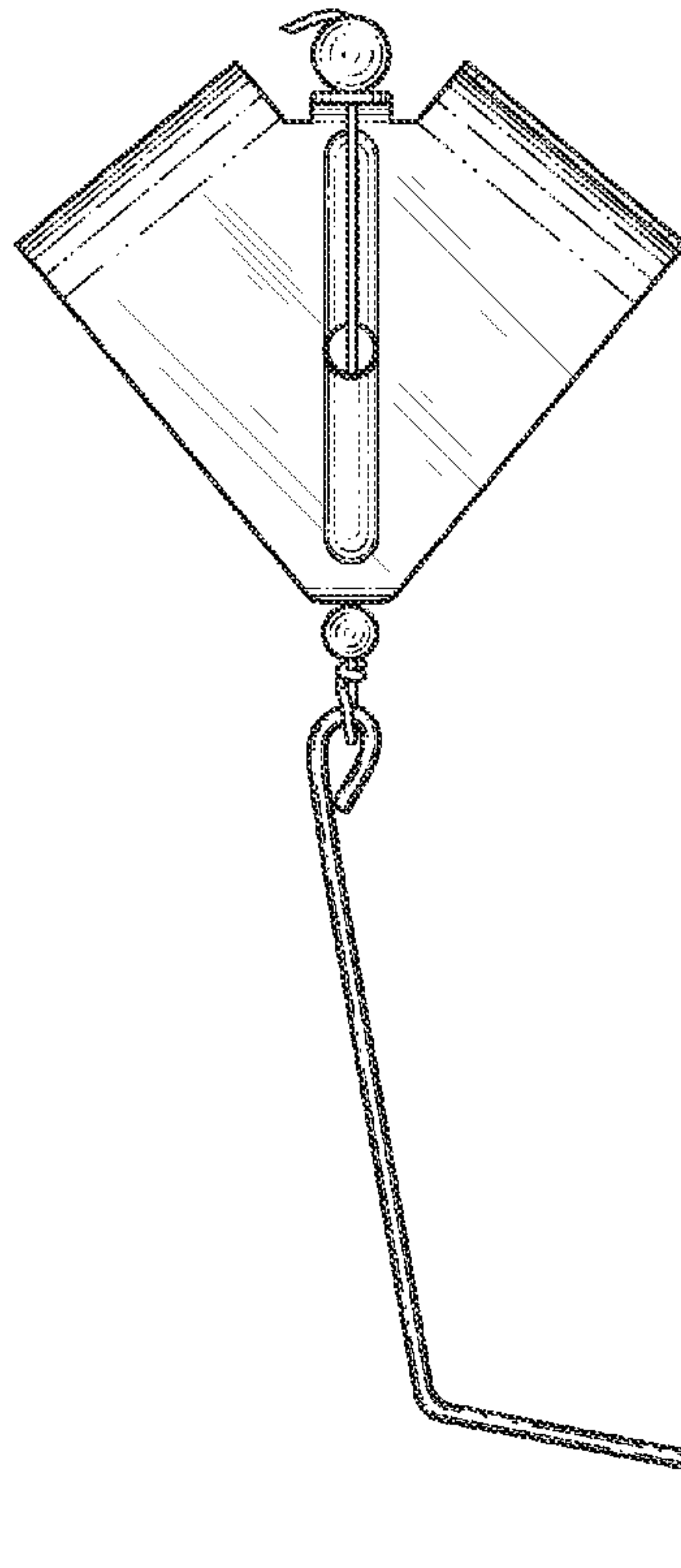


FIG. 2

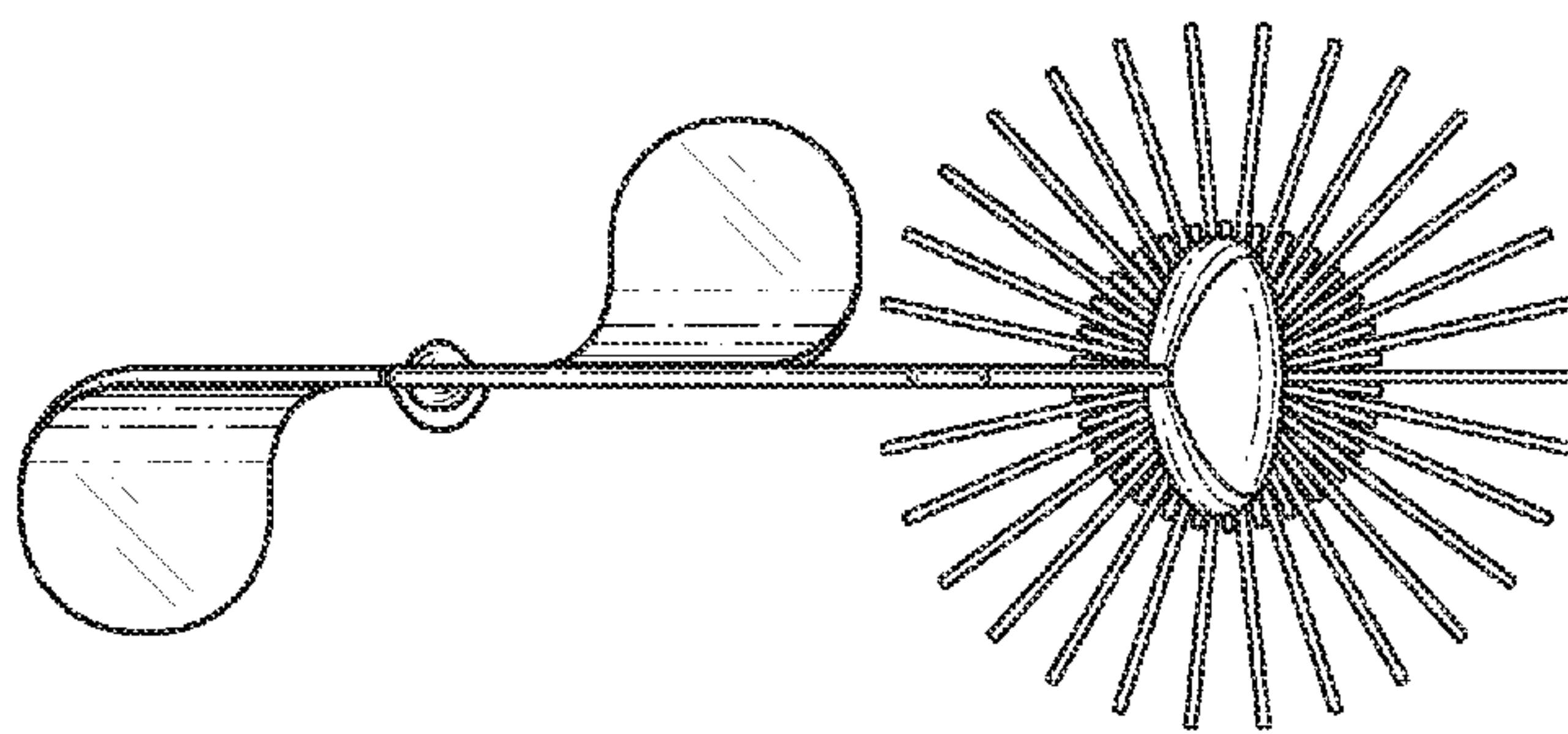


FIG. 4

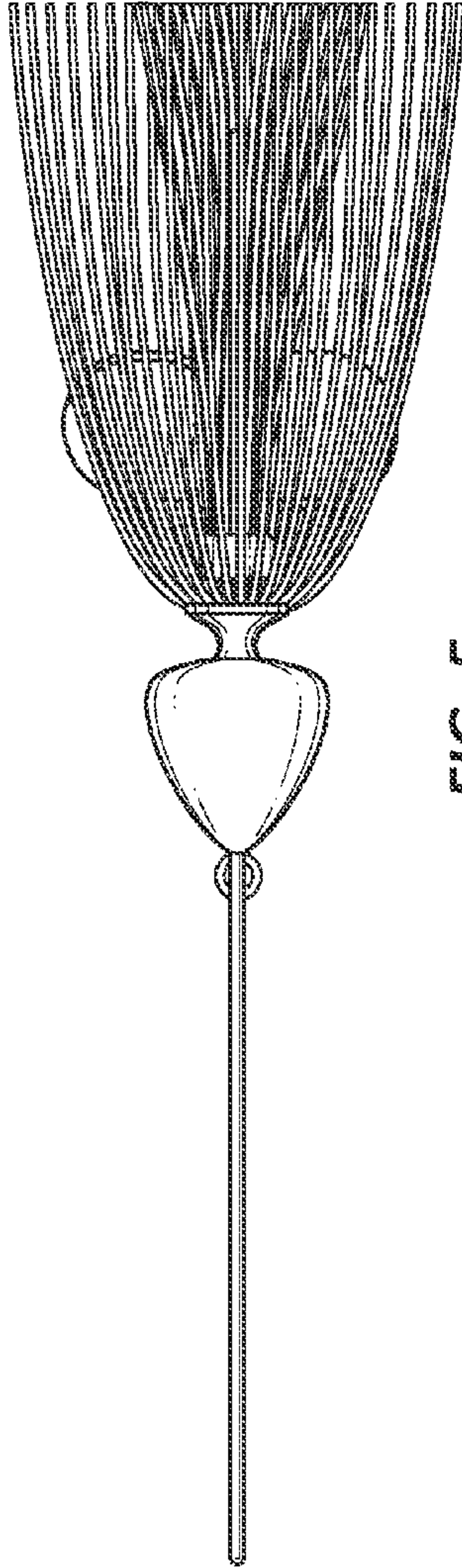


FIG. 5

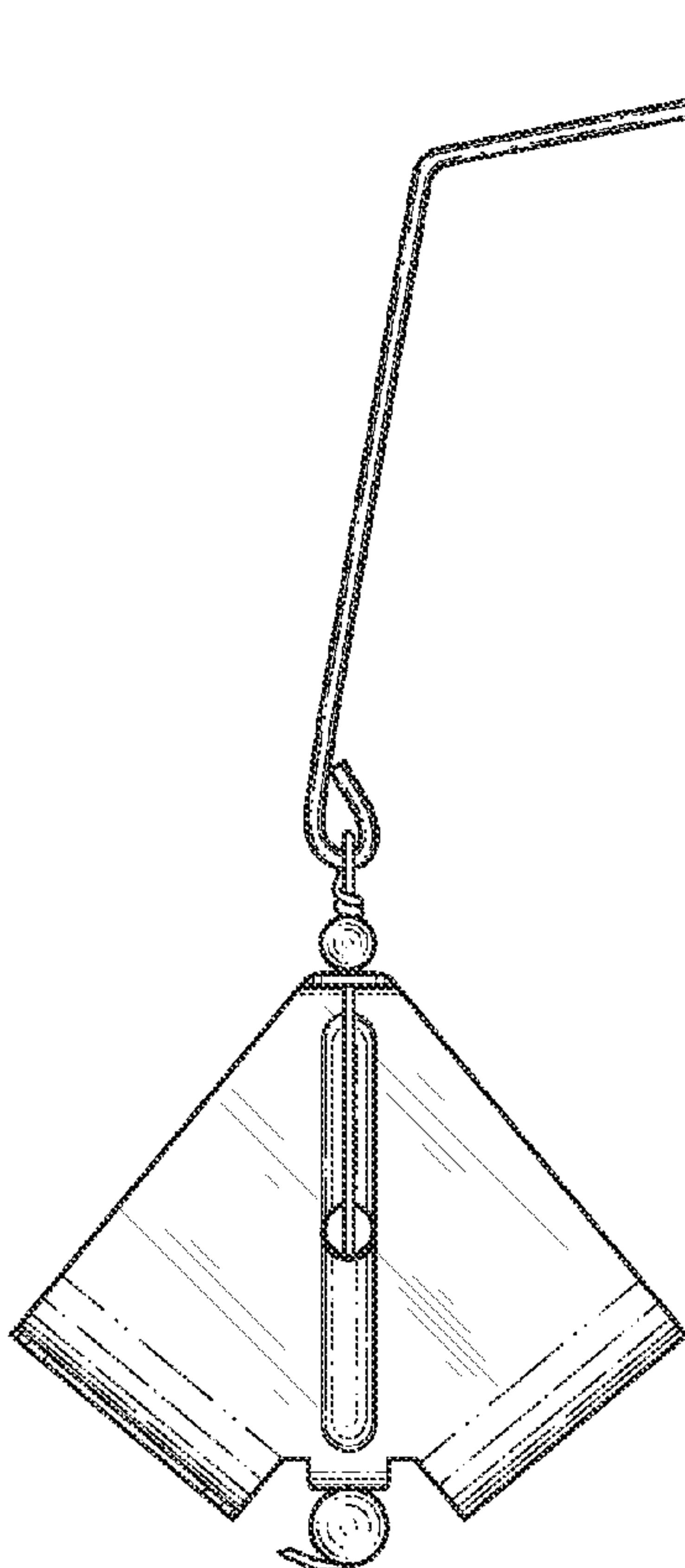


FIG. 6

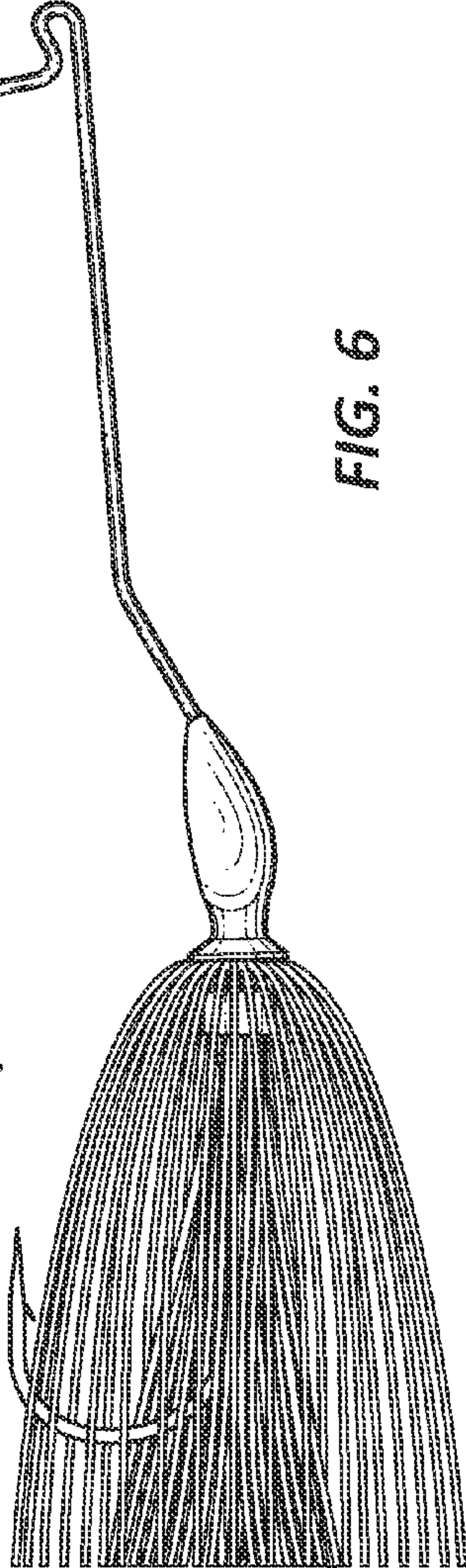


FIG. 7