



US00D636837S

(12) **United States Design Patent**
Hughes et al.

(10) **Patent No.:** **US D636,837 S**

(45) **Date of Patent:** **** Apr. 26, 2011**

(54) **LASER GUNSIGHT SYSTEM FOR A FIREARM**

(75) Inventors: **Daniel L. Hughes**, Damascus, OR (US);
Frederick Karl, West Linn, OR (US);
Lewis A. Danielson, Newberg, OR (US)

(73) Assignee: **Crimson Trace Corporation**,
Wilsonville, OR (US)

(**) Term: **14 Years**

(21) Appl. No.: **29/349,332**

(22) Filed: **Mar. 25, 2010**

(51) **LOC (9) Cl.** **22-01**

(52) **U.S. Cl.** **D22/109**

(58) **Field of Classification Search** D22/108–110,
D22/199; 89/200–204; 359/399, 823, 744;
42/104, 105, 111–113, 116, 120, 124–126,
42/127–129, 141–148, 133–140; 33/227,
33/229

See application file for complete search history.

(56) **References Cited**

U.S. PATENT DOCUMENTS

958,332	A	5/1910	Snyder	
5,430,967	A *	7/1995	Woodman et al.	42/114
5,485,695	A	1/1996	Glock	
5,581,898	A	12/1996	Thummel	
5,706,600	A	1/1998	Toole et al.	
5,784,823	A *	7/1998	Chen	42/115
6,393,752	B1 *	5/2002	Oliver et al.	42/114

6,571,503	B2 *	6/2003	Thorpe	42/114
6,578,311	B2 *	6/2003	Danielson et al.	42/114
D603,478	S	11/2009	Hughes	
2004/0068913	A1 *	4/2004	Solinsky et al.	42/146
2007/0193103	A1 *	8/2007	Cheng	42/111

OTHER PUBLICATIONS

Armalaser website product description—c. 2007.
Pocket Slipper product information sheet—dated Sep. 1, 2008.

* cited by examiner

Primary Examiner — T. Chase Nelson

Assistant Examiner — Michael Pratt

(74) *Attorney, Agent, or Firm* — Bennet K. Langlotz;
Langlotz Patent and Trademark Works, Inc.

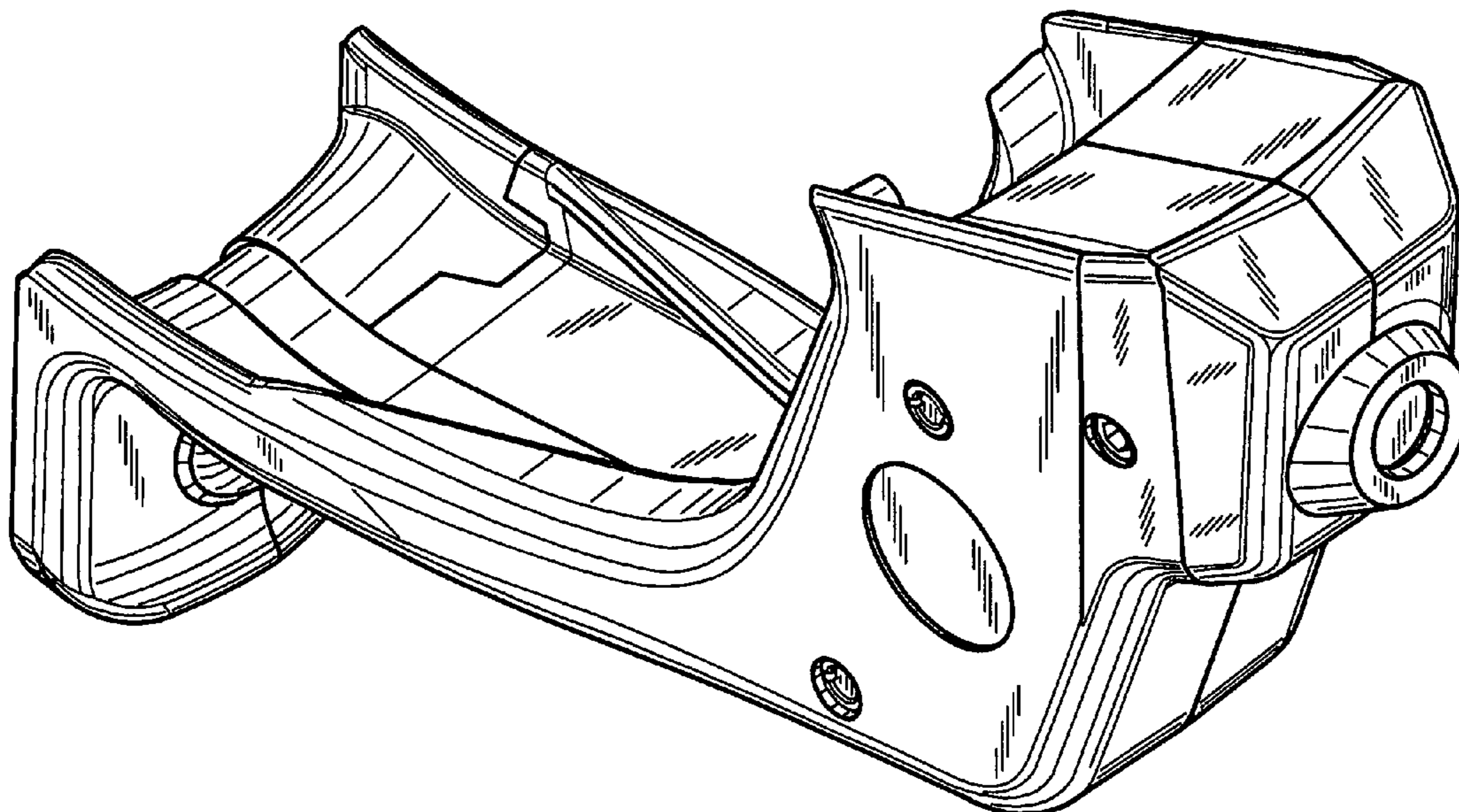
(57) **CLAIM**

The ornamental design for a laser gunsight system for a firearm, as shown and described.

DESCRIPTION

FIG. 1 is a front perspective view of a laser gunsight system for a firearm showing my (our) new design;
FIG. 2 is a bottom perspective view thereof;
FIG. 3 is a top view thereof;
FIG. 4 is a right side view thereof;
FIG. 5 is a bottom view thereof;
FIG. 6 is a rear view thereof;
FIG. 7 is a left side view thereof; and,
FIG. 8 is a front view thereof.

1 Claim, 4 Drawing Sheets



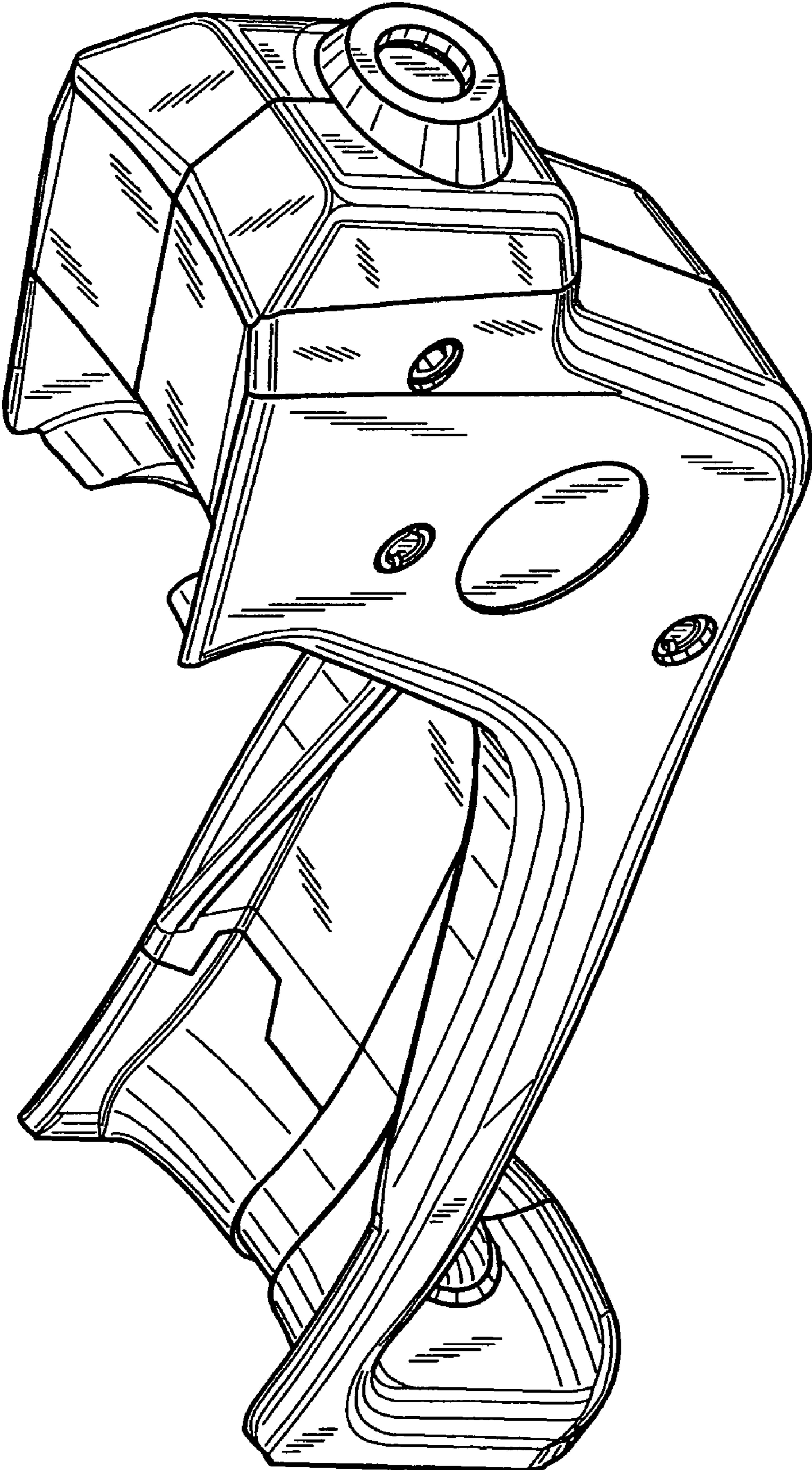


FIG. 1

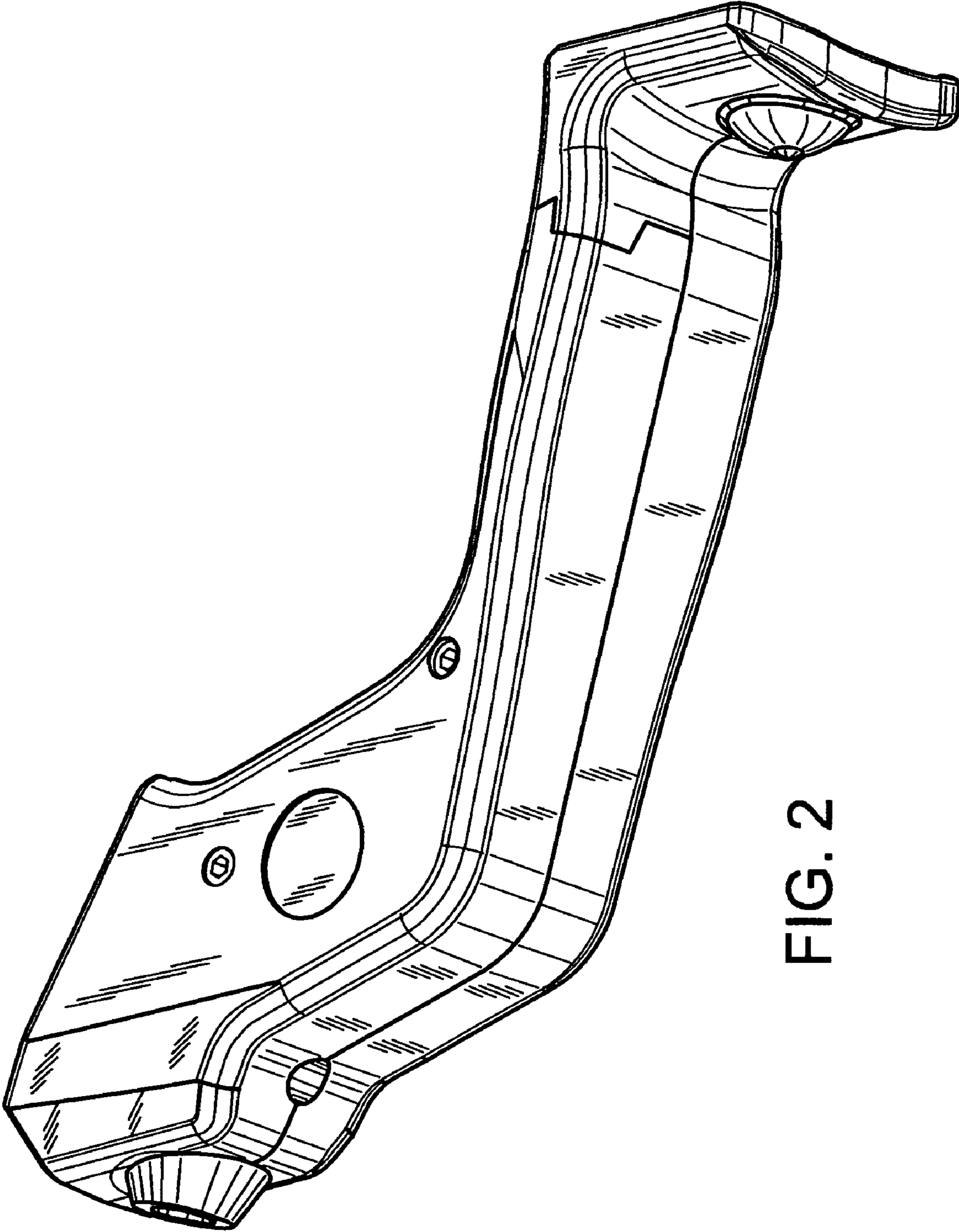


FIG. 2

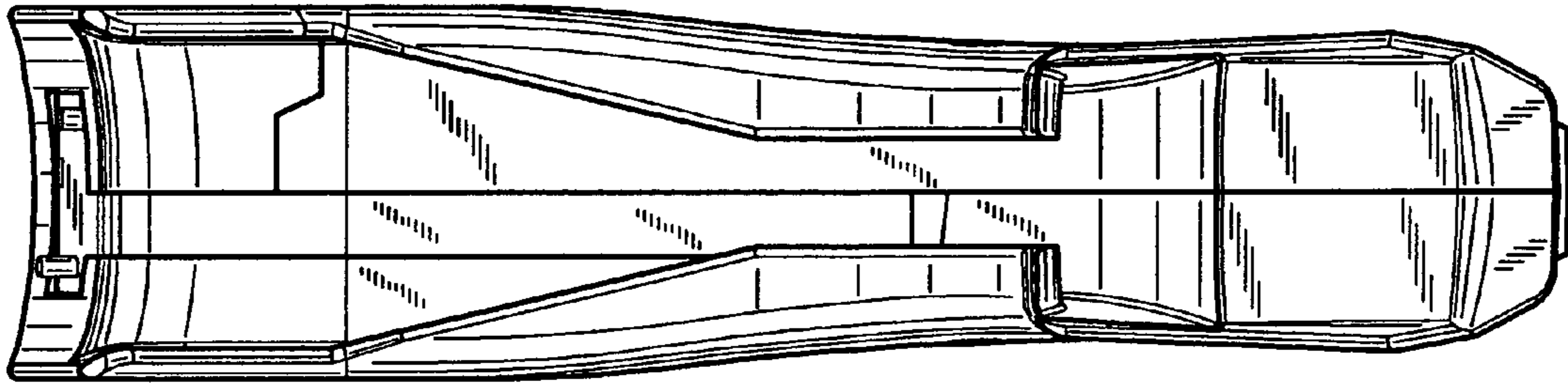


FIG. 3

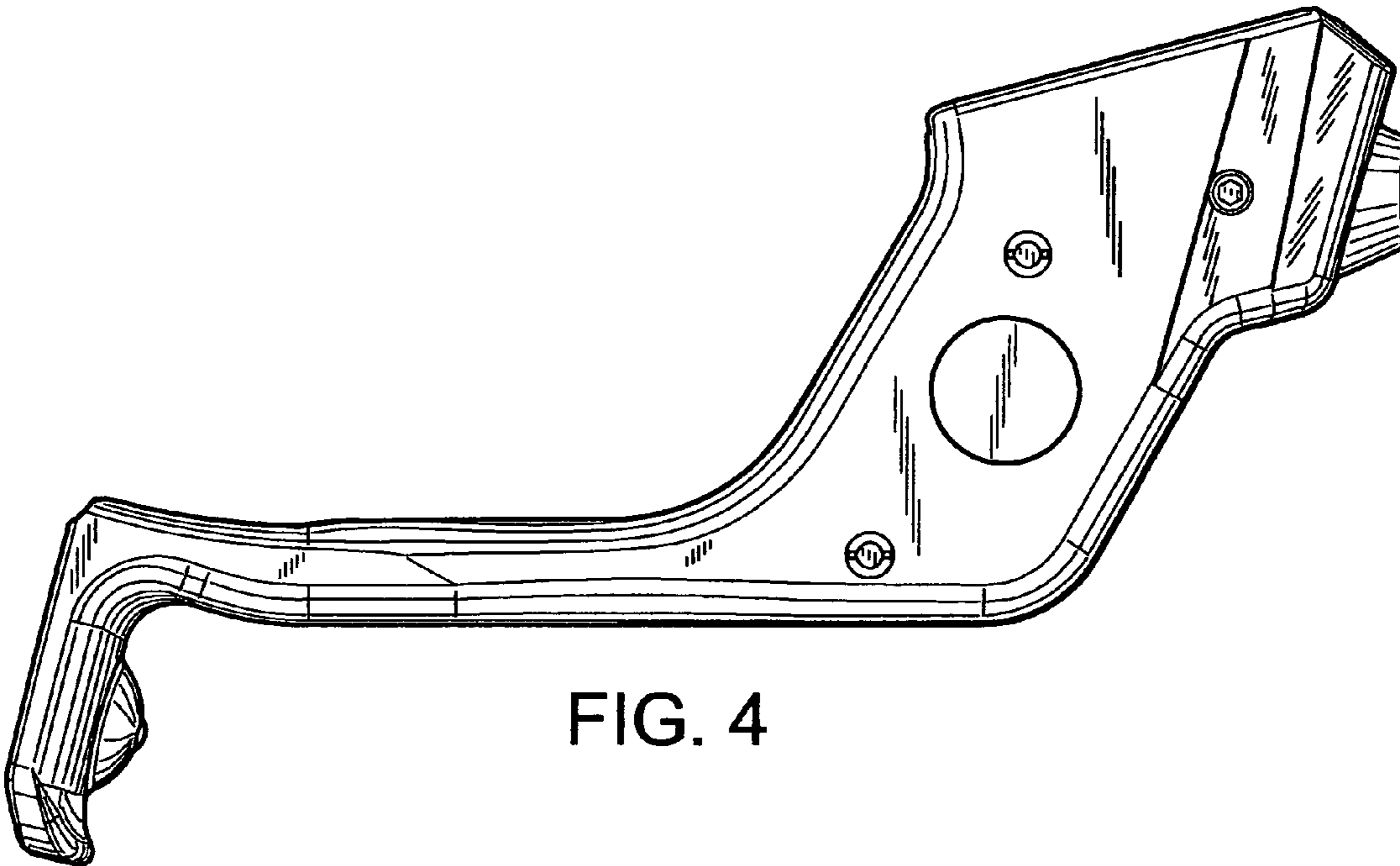


FIG. 4

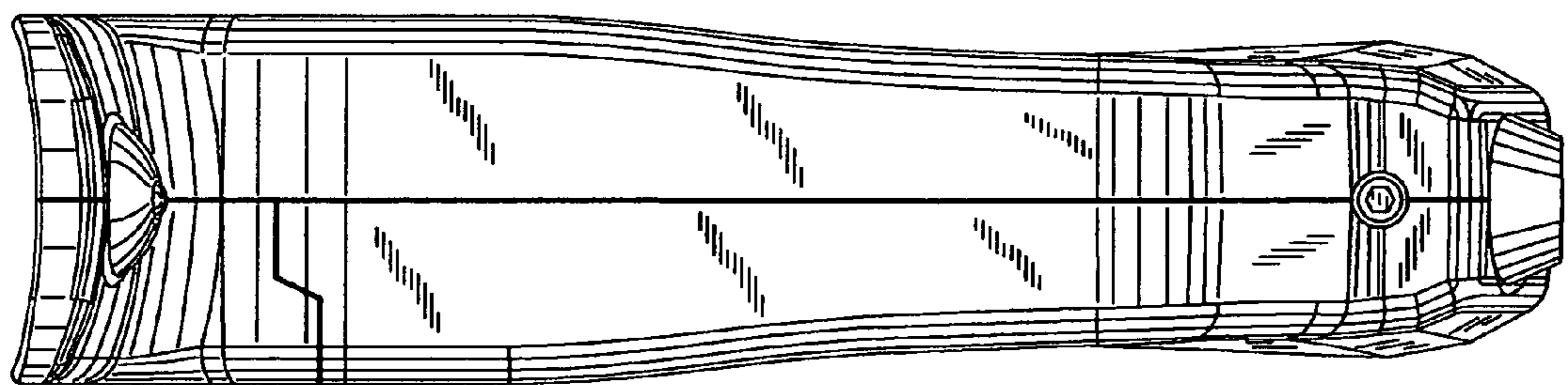


FIG. 5

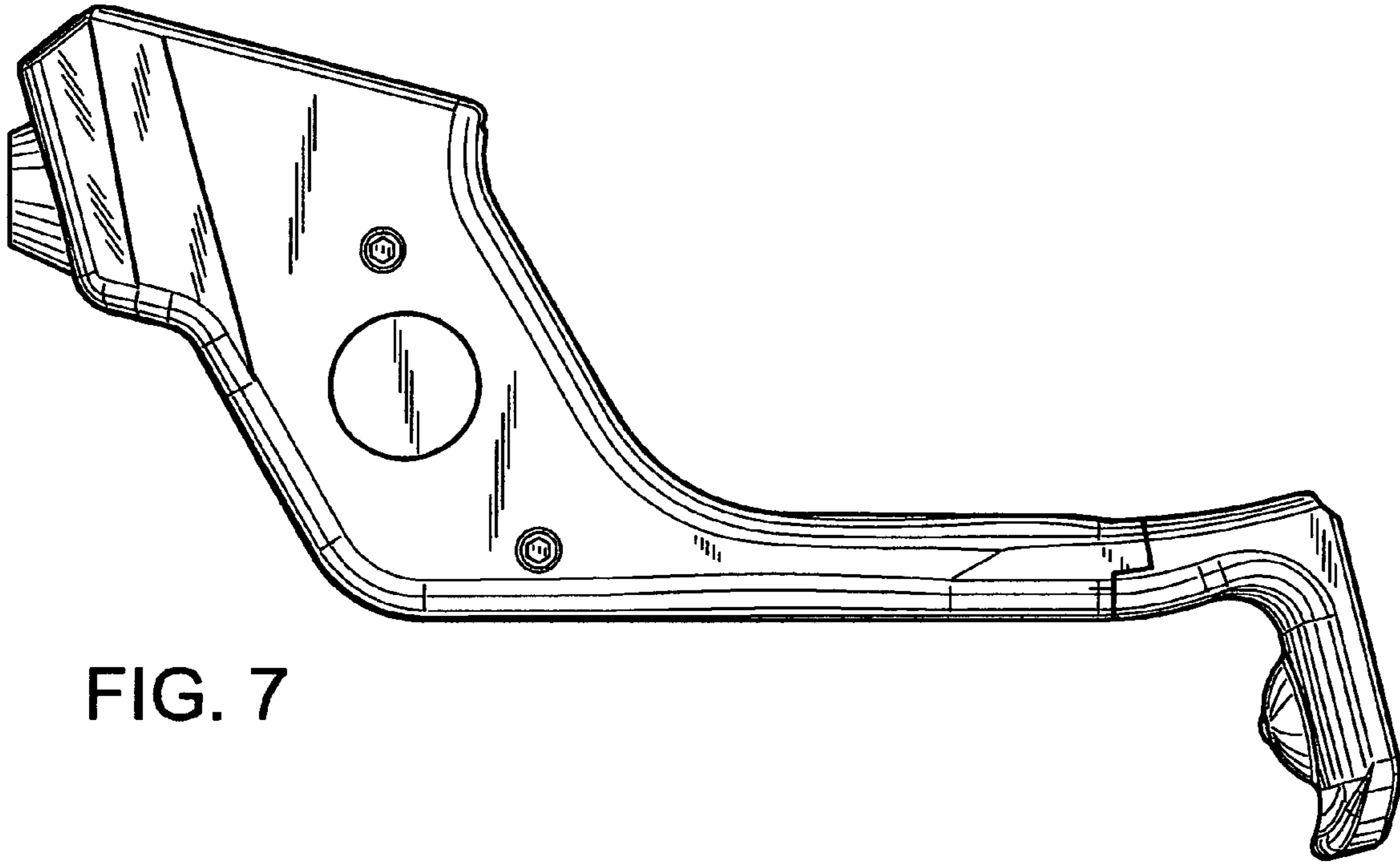


FIG. 7

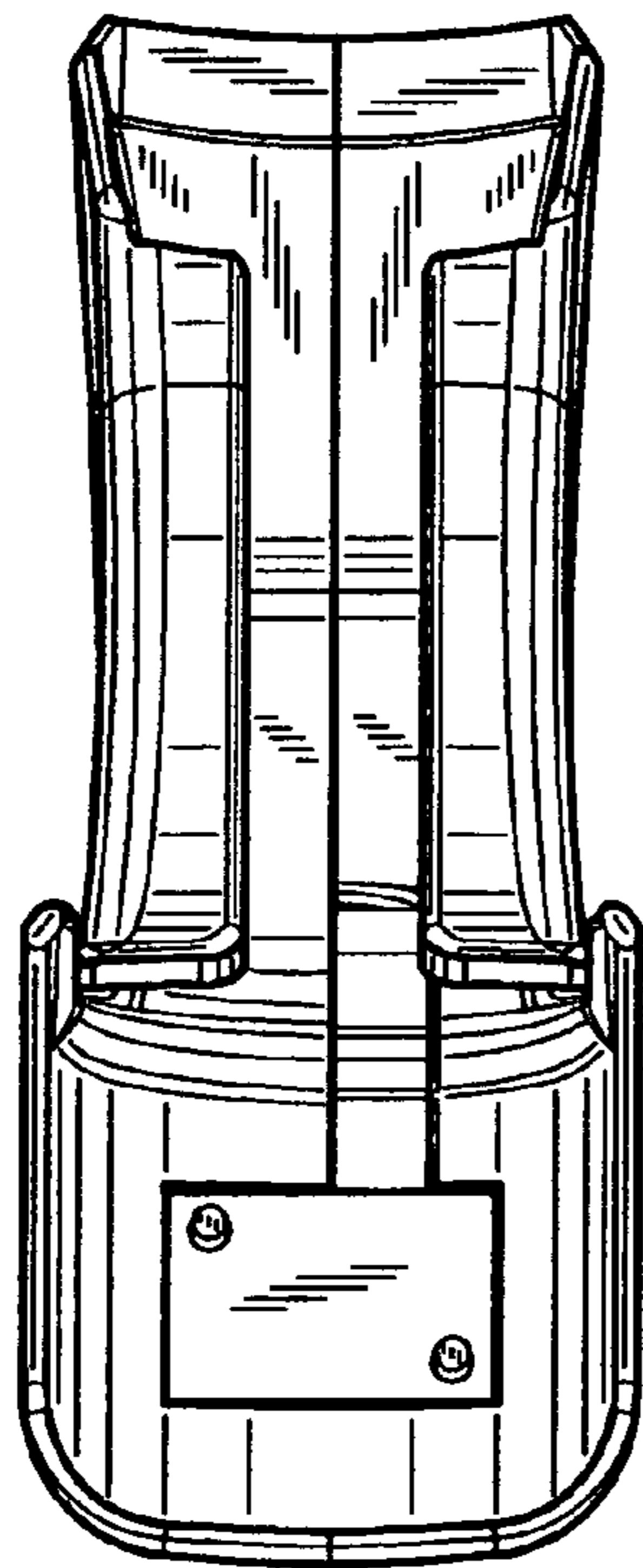


FIG. 6

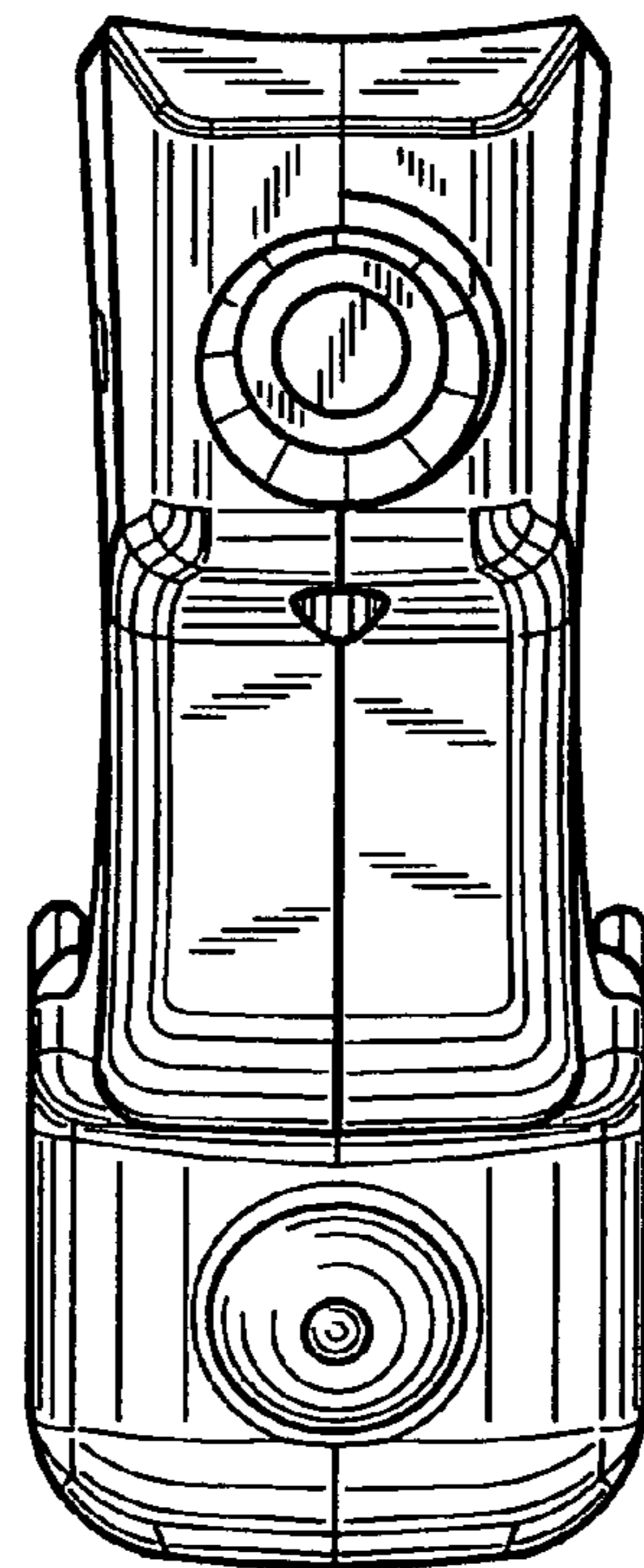


FIG. 8