



US00D636835S

(12) **United States Design Patent**
Fitzpatrick et al.

(10) **Patent No.:** **US D636,835 S**

(45) **Date of Patent:** **** Apr. 26, 2011**

(54) **RING FOR SECURING A SLING**

(75) Inventors: **Richard Fitzpatrick**, Longmont, CO (US); **Michael T. Mayberry**, Denver, CO (US); **Eric Christopher Burt**, Broomfield, CO (US)

(73) Assignee: **Magpul Industries Corporation**, Boulder, CO (US)

(**) Term: **14 Years**

(21) Appl. No.: **29/353,999**

(22) Filed: **Jan. 18, 2010**

(51) **LOC (9) Cl.** **22-01**

(52) **U.S. Cl.** **D22/108**

(58) **Field of Classification Search** D22/108, D22/199; D29/101.1, 108; D3/214, 215, D3/221, 262, 327-328; 224/149, 150, 157-160, 224/190, 250, 257, 258, 575, 586, 913; 42/85, 42/94; D8/349, 367; 24/2.5

See application file for complete search history.

(56) **References Cited**

U.S. PATENT DOCUMENTS

2,723,430 A * 11/1955 Paillard 24/369
6,305,535 B1 * 10/2001 Fair 206/315.3
2009/0140019 A1 * 6/2009 Martinich 224/257
* cited by examiner

Primary Examiner — T. Chase Nelson

Assistant Examiner — Michael A Pratt

(74) *Attorney, Agent, or Firm* — Swanson & Bratschun, L.L.C.

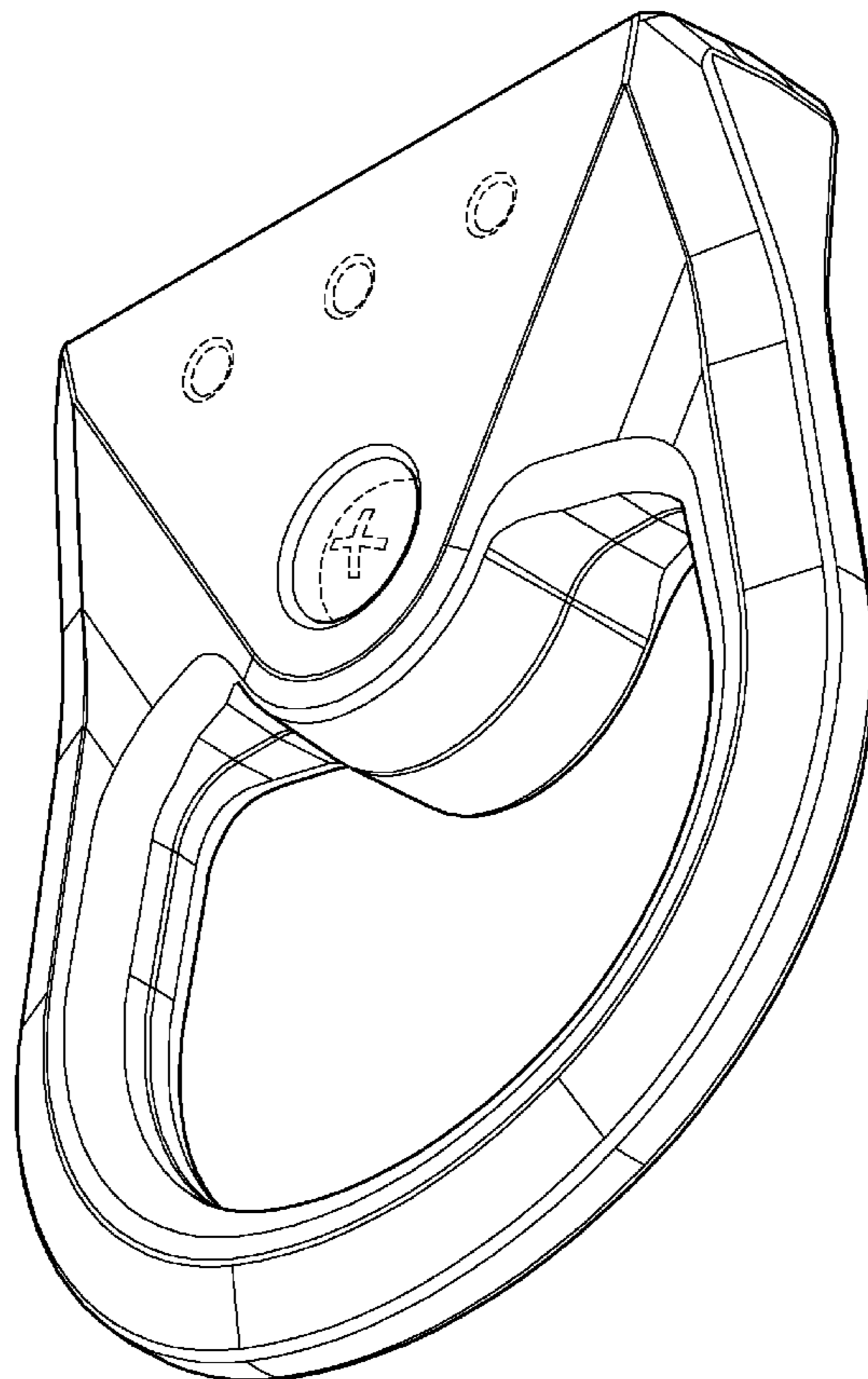
(57) **CLAIM**

The ornamental design for a ring for securing a sling, as shown and described.

DESCRIPTION

FIG. 1 is a bottom, left, front perspective view of a ring for securing a sling showing our new design;
FIG. 2 is a top plan view of the ring of FIG. 1;
FIG. 3 is a bottom plan view of the ring of FIG. 1;
FIG. 4 is a front elevation view of the ring of FIG. 1;
FIG. 5 is a rear elevation view of the ring of FIG. 1;
FIG. 6 is a left side elevation view of the ring of FIG. 1; and,
FIG. 7 is a top, right, rear view of the ring of FIG. 1.
The broken lines showing portions of the design in all figures is included for the purpose of illustrating environment and forms not part of the claimed design.

1 Claim, 6 Drawing Sheets



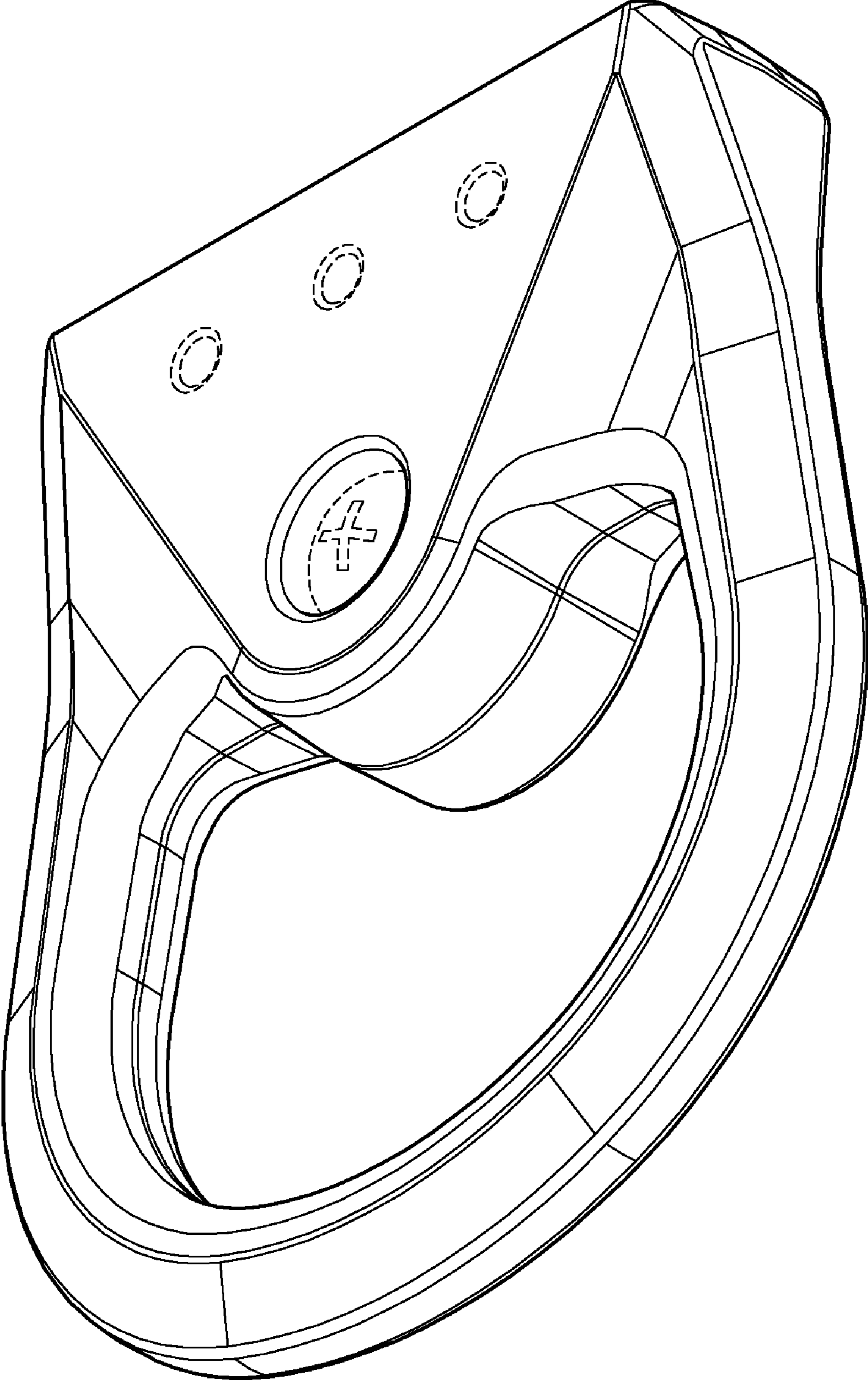


FIG. 1

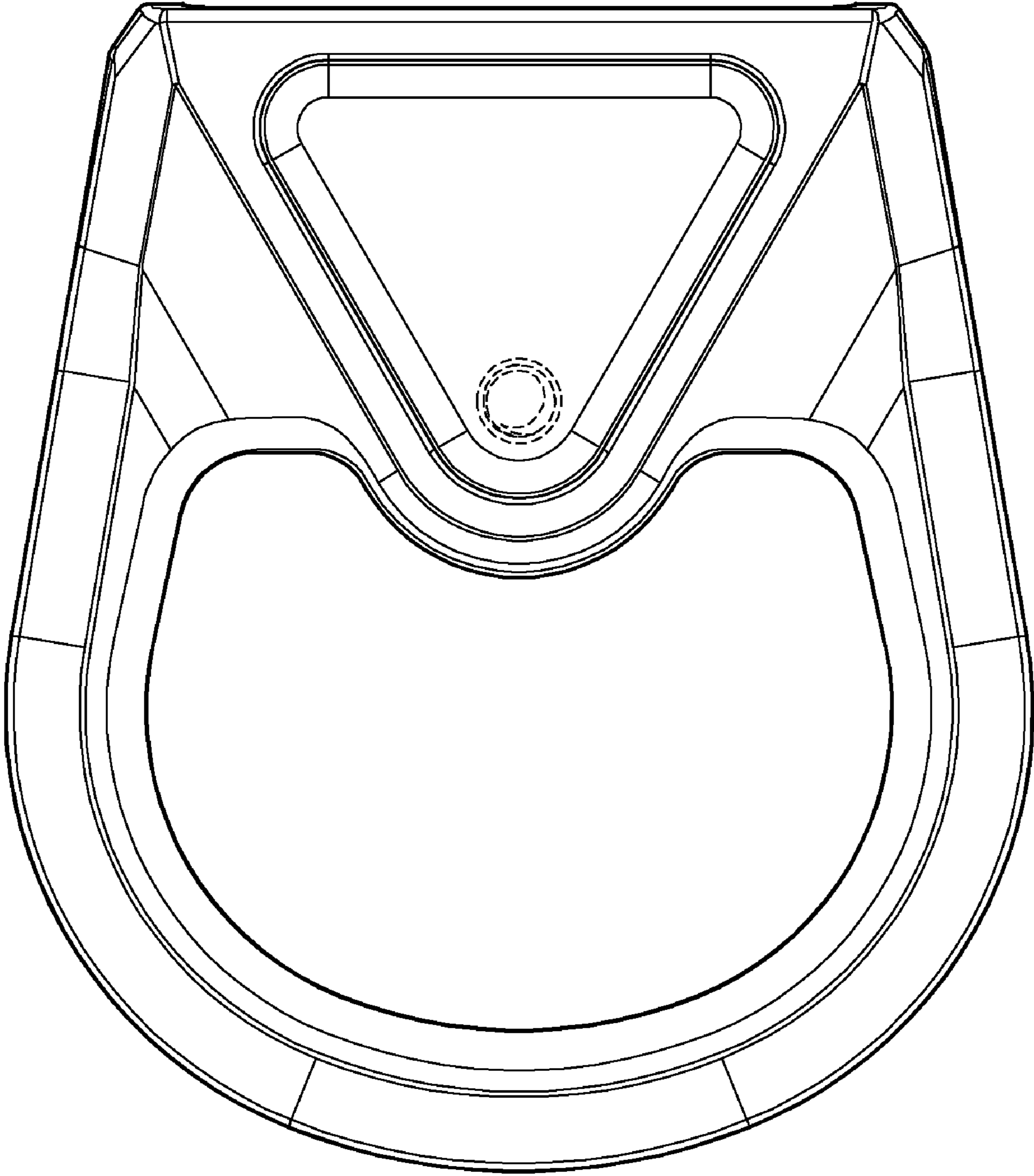


FIG. 2

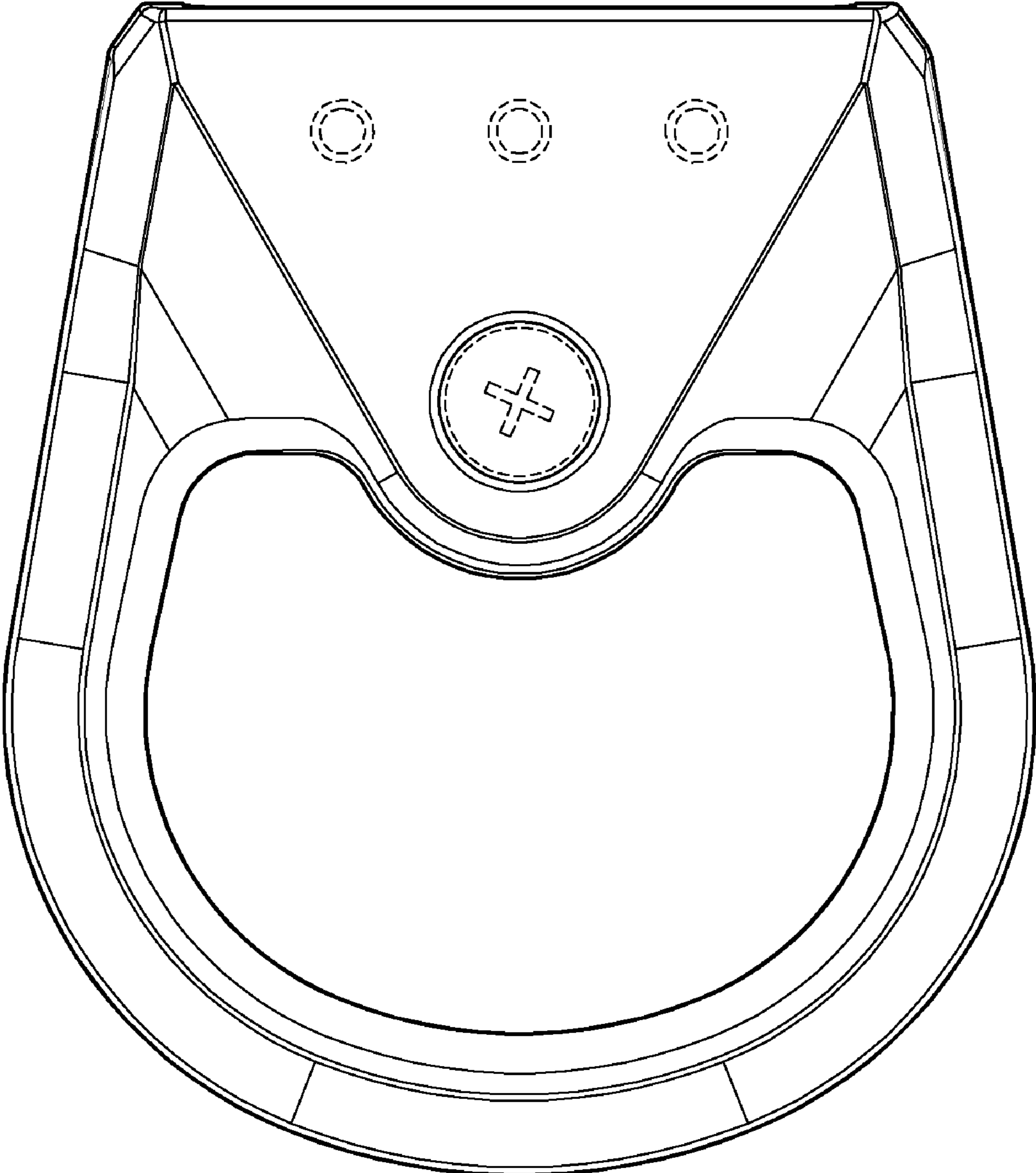


FIG. 3

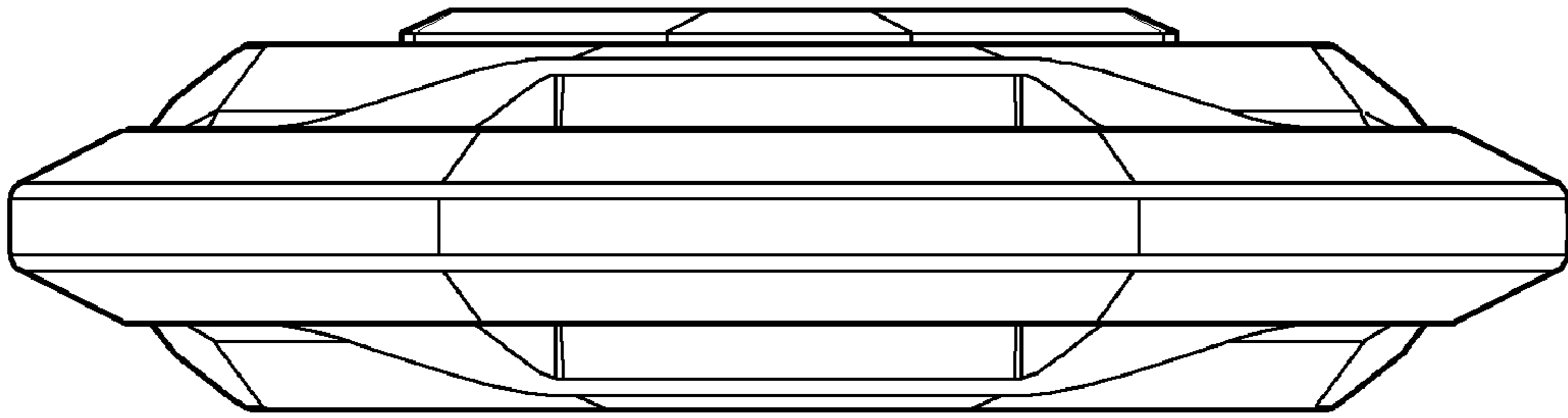


FIG. 4

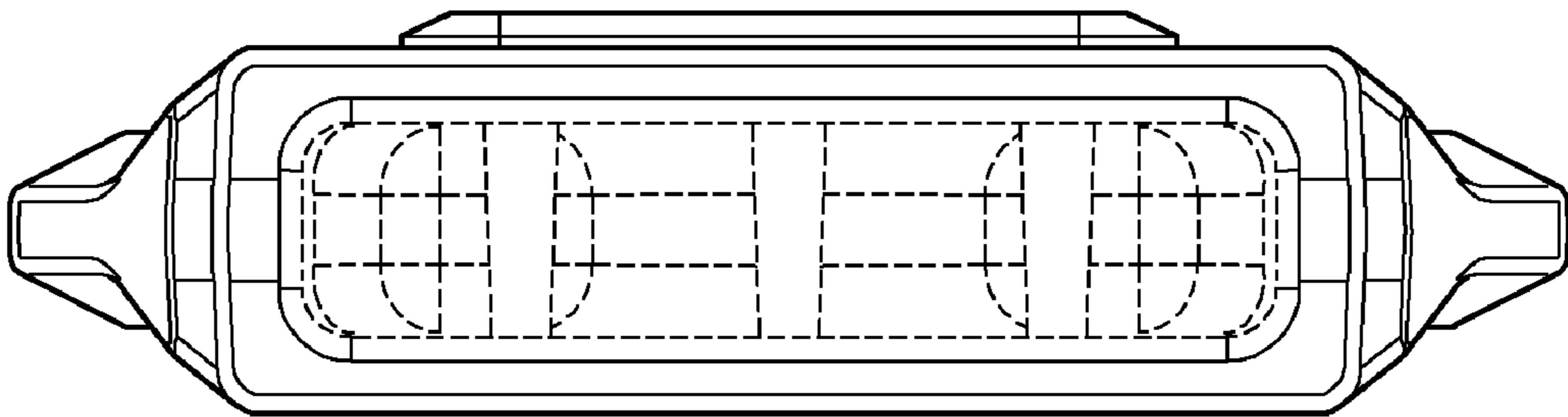


FIG. 5

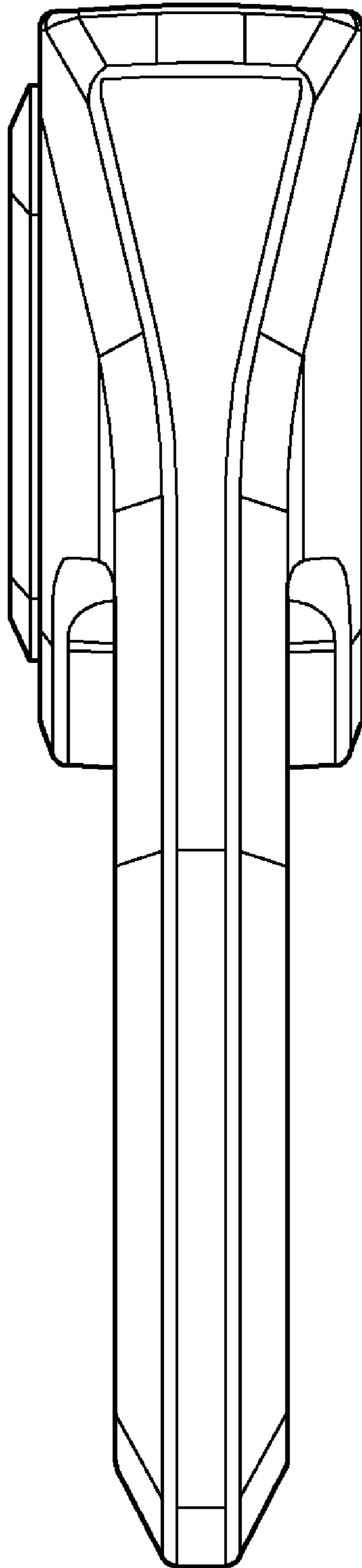


FIG. 6

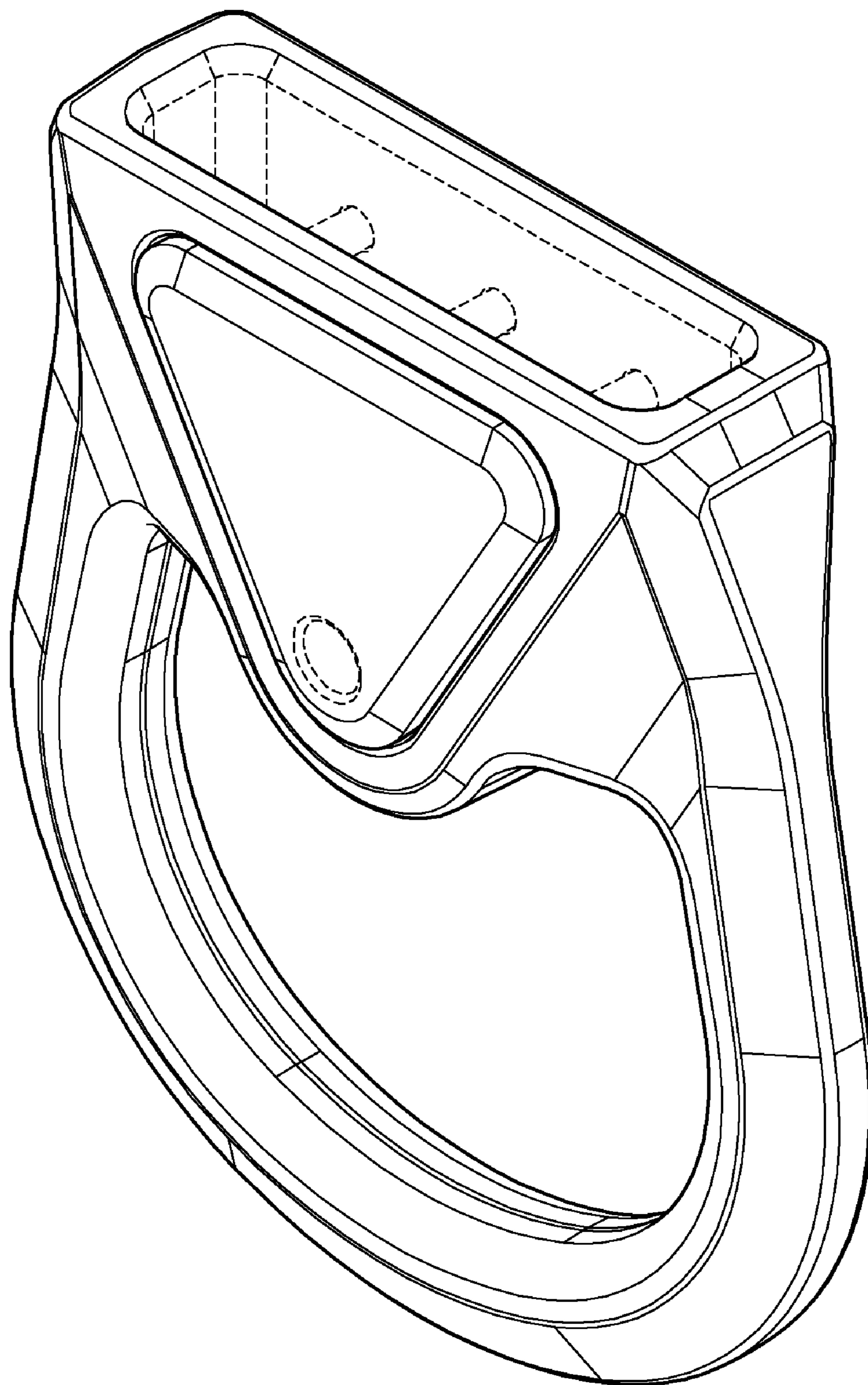


FIG. 7