



US00D636834S

(12) **United States Design Patent**
Mayberry et al.

(10) **Patent No.:** **US D636,834 S**
(45) **Date of Patent:** **** Apr. 26, 2011**

(54) **FOLDING FIREARM STOCK**
(75) Inventors: **Michael T. Mayberry**, Denver, CO (US); **Eric Christopher Burt**, Broomfield, CO (US); **Richard Fitzpatrick**, Longmont, CO (US); **Brian Nakayama**, Arvada, CO (US)

7,162,823 B2 1/2007 Schoppman
D551,313 S 9/2007 Saur
D603,013 S 10/2009 Fitzpatrick
2008/0028662 A1 2/2008 Abraham
2008/0168695 A1 7/2008 Nakayama
2008/0236016 A1 10/2008 Fitzpatrick
2008/0236017 A1 10/2008 Fitzpatrick
2010/0205846 A1* 8/2010 Fitzpatrick et al. 42/73
* cited by examiner

(73) Assignee: **Magpul Industries Corporation**, Boulder, CO (US)

Primary Examiner — T. Chase Nelson
Assistant Examiner — Michael A Pratt
(74) *Attorney, Agent, or Firm* — Swanson & Bratschun, L.L.C.

(**) Term: **14 Years**

(21) Appl. No.: **29/353,910**

(22) Filed: **Jan. 15, 2010**

(51) **LOC (9) Cl.** **22-01**

(52) **U.S. Cl.** **D22/108**

(58) **Field of Classification Search** D22/100, D22/101, 103, 104, 108, 199; D21/572, D21/573; 42/51, 71.02, 73, 75.01, 75.02; 89/40.06, 37.04, 33.04; 124/66, 67, 74
See application file for complete search history.

(57) **CLAIM**
The ornamental design for a folding firearm stock, as shown and described.

(56) **References Cited**

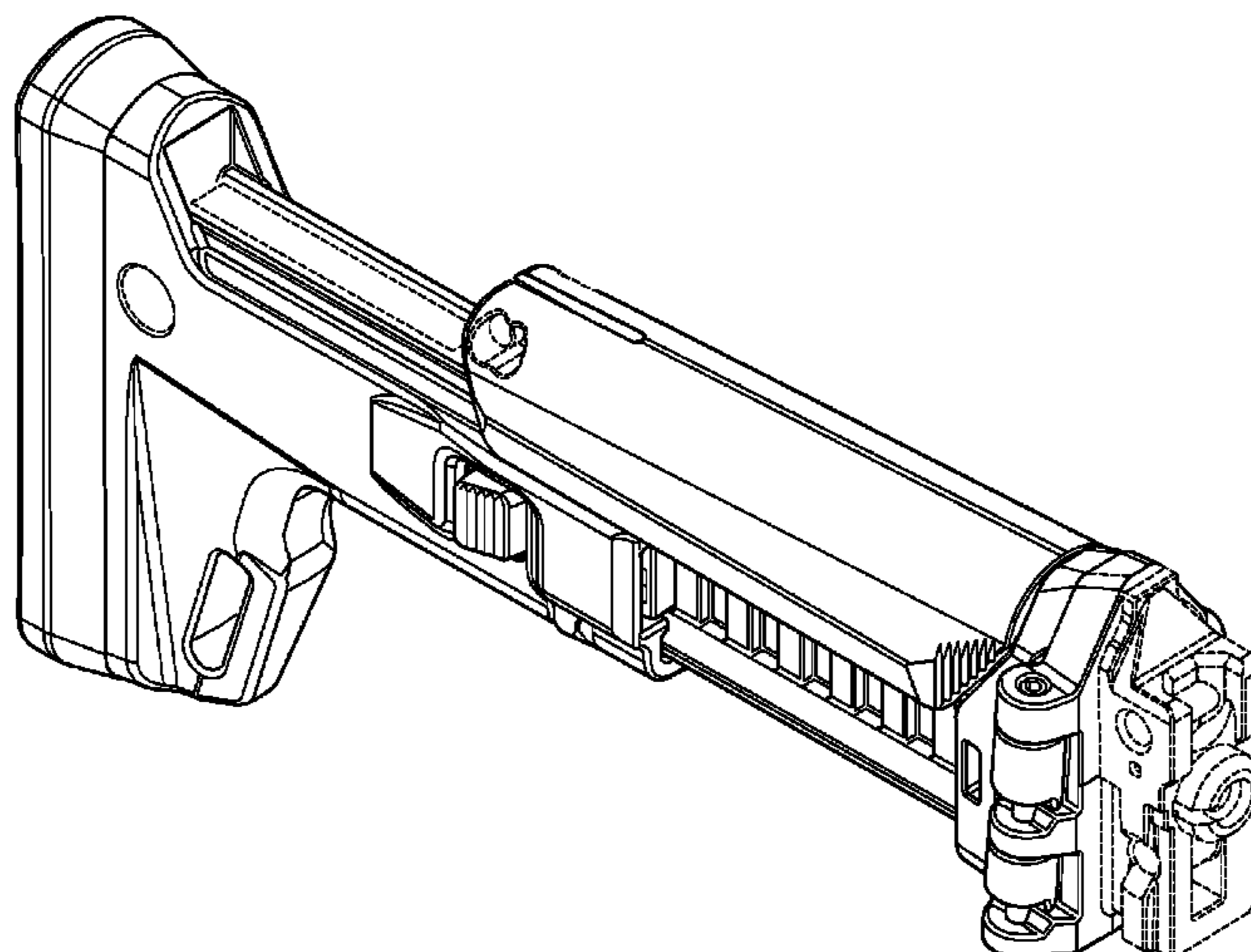
U.S. PATENT DOCUMENTS

1,032,628	A	7/1912	Sherman	
1,651,299	A	11/1927	Stansel	
3,618,249	A *	11/1971	Grandy	42/73
3,710,496	A	1/1973	Packmayr	
4,122,623	A	10/1978	Stice	
4,589,219	A	5/1986	Milliman	
4,663,877	A	5/1987	Bragg	
4,788,785	A *	12/1988	White	42/72
4,896,446	A	1/1990	Gregory	
5,031,348	A	7/1991	Carey	
5,075,995	A	12/1991	Kennel	
D324,557	S *	3/1992	Livingston	D22/103
5,933,997	A	8/1999	Barrett	
6,598,330	B2	7/2003	Garrett	
6,637,141	B1	10/2003	Weatherby	
D516,660	S *	3/2006	Murello et al.	D22/103
D517,637	S	3/2006	Murello	

DESCRIPTION

FIG. 1 is a right, top, front perspective view of a folding firearm stock showing our new design;
FIG. 2 is a left, top, rear perspective view of the folding firearm stock of FIG. 1;
FIG. 3 is a right side elevation view of the folding firearm stock of FIG. 1;
FIG. 4 is a left side elevation view of the folding firearm stock of FIG. 1;
FIG. 5 is a top plan view of the folding firearm stock of FIG. 1;
FIG. 6 is a bottom plan view of the folding firearm stock of FIG. 1;
FIG. 7 is a front elevation view of the folding firearm stock of FIG. 1; and,
FIG. 8 is a rear elevation view of the folding firearm stock of FIG. 1.
The broken lines showing portions of the design in all figures is included for the purpose of illustrating environment and forms not part of the claimed design.

1 Claim, 6 Drawing Sheets



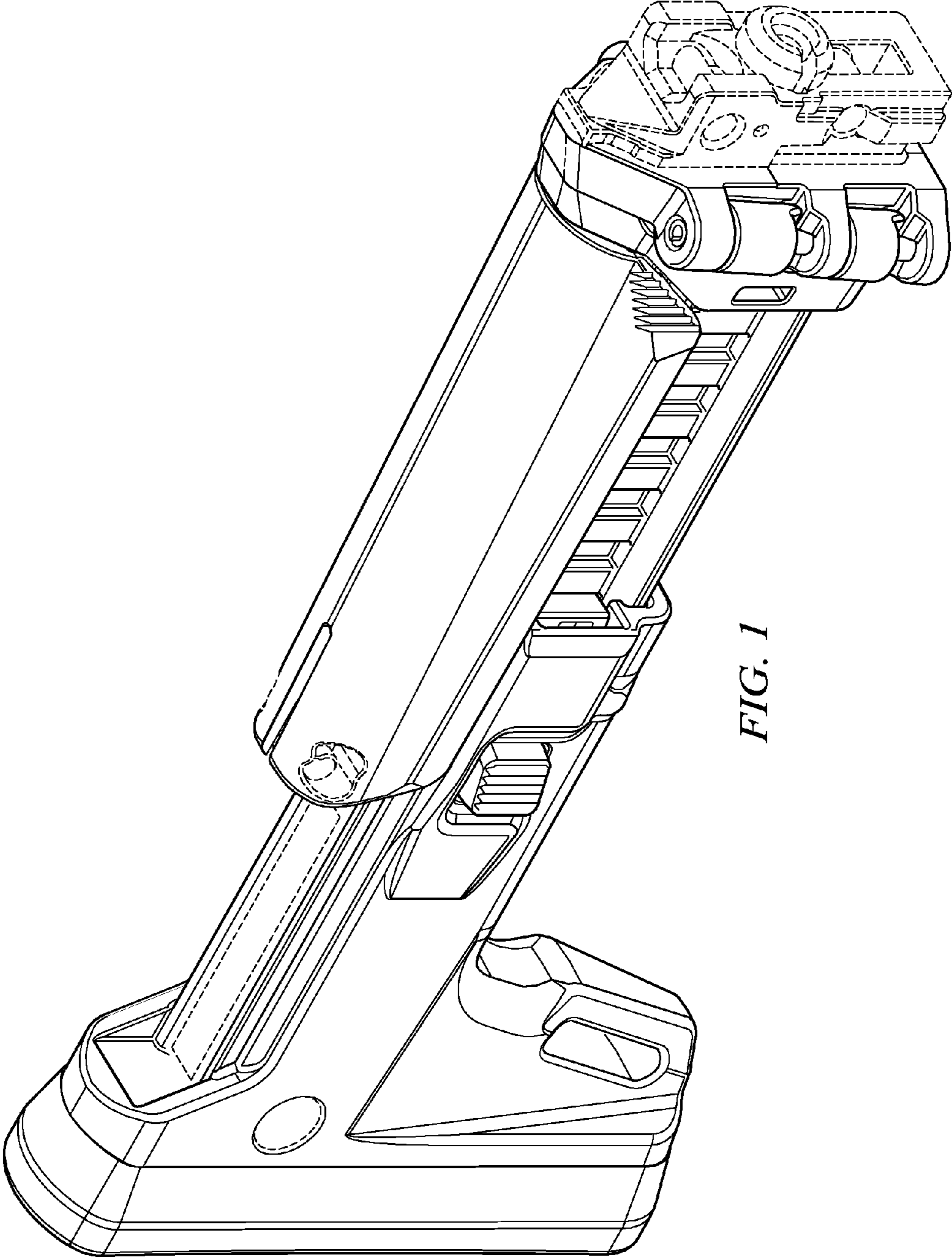


FIG. 1

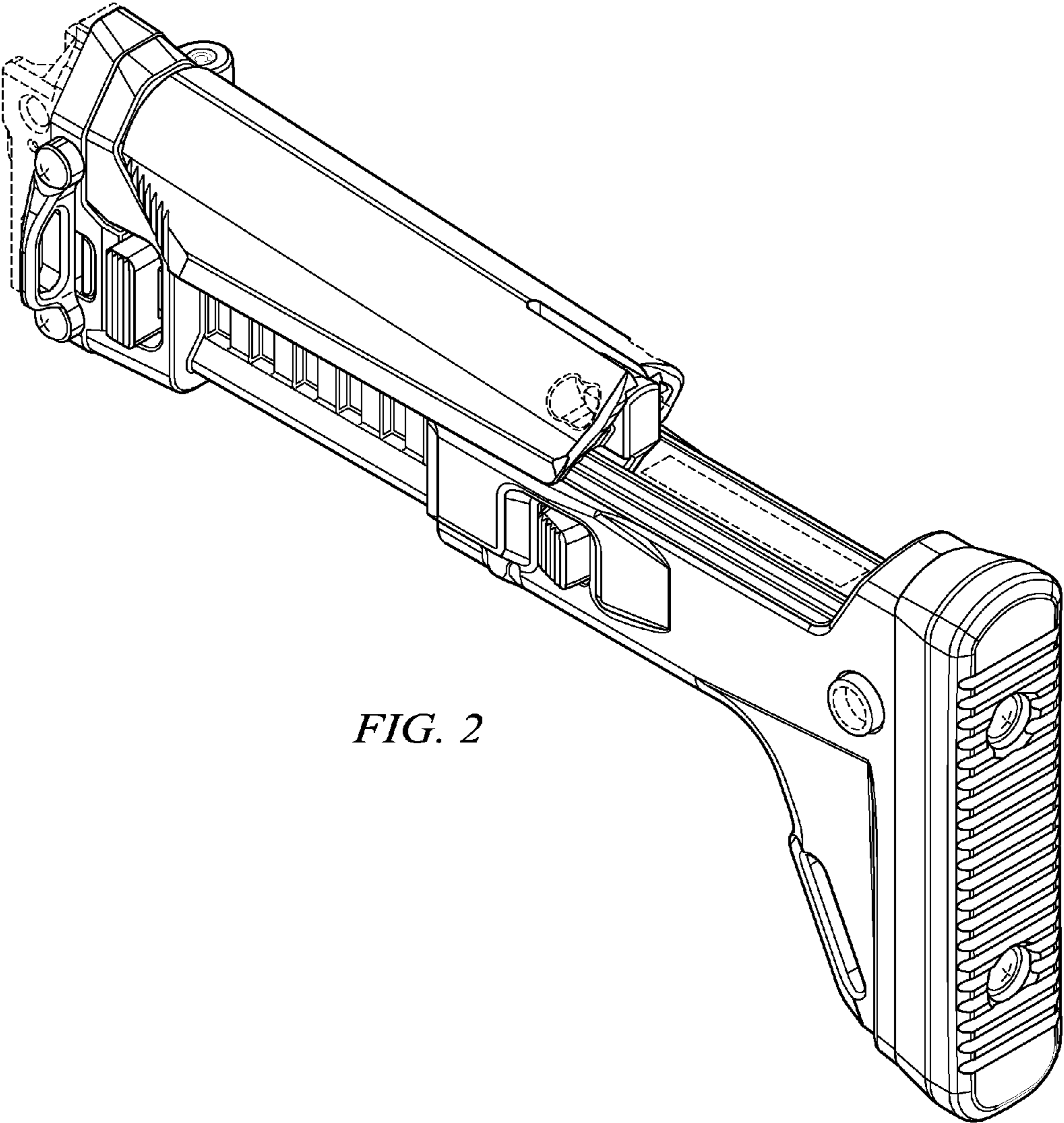


FIG. 2

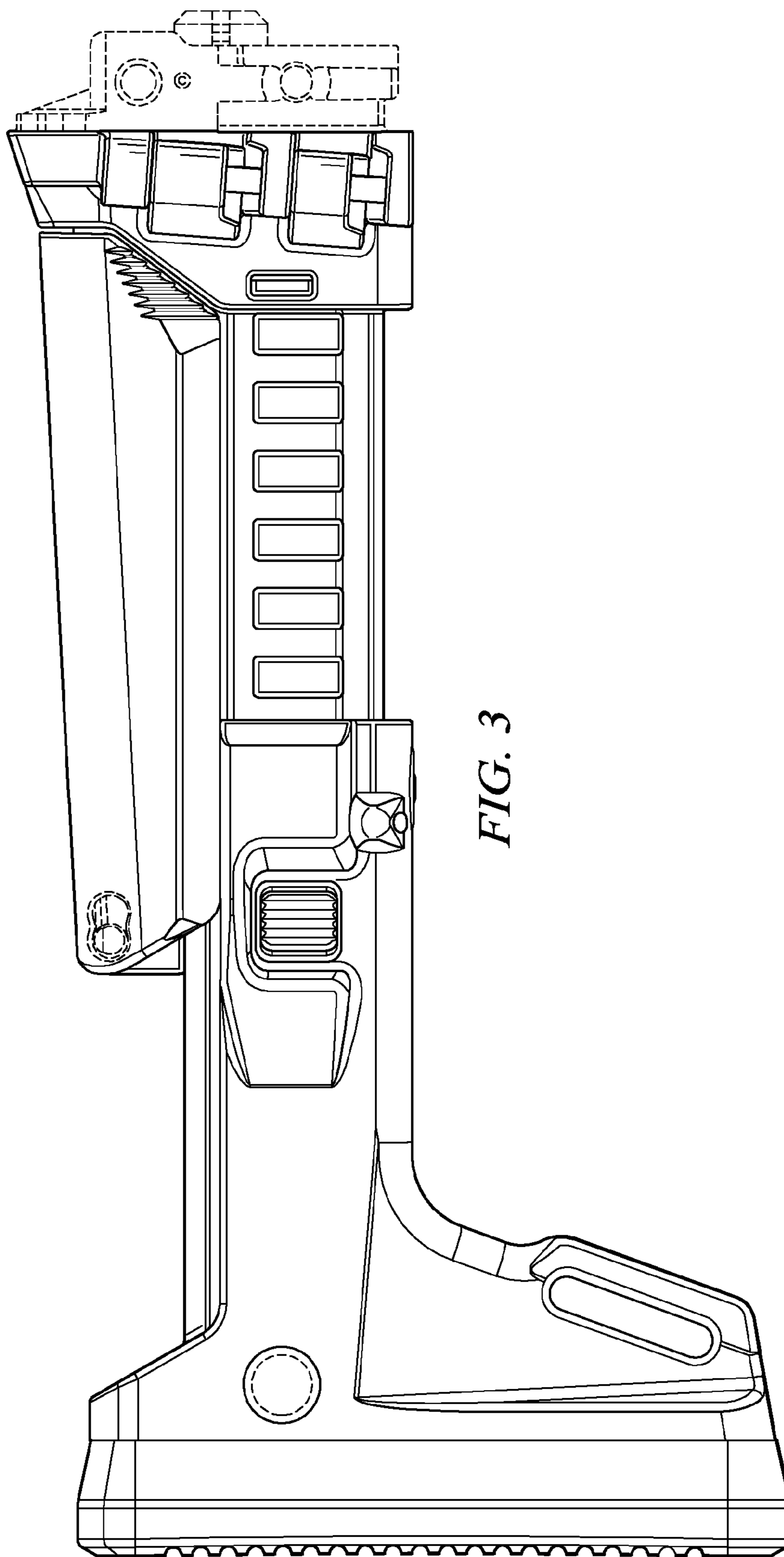


FIG. 3

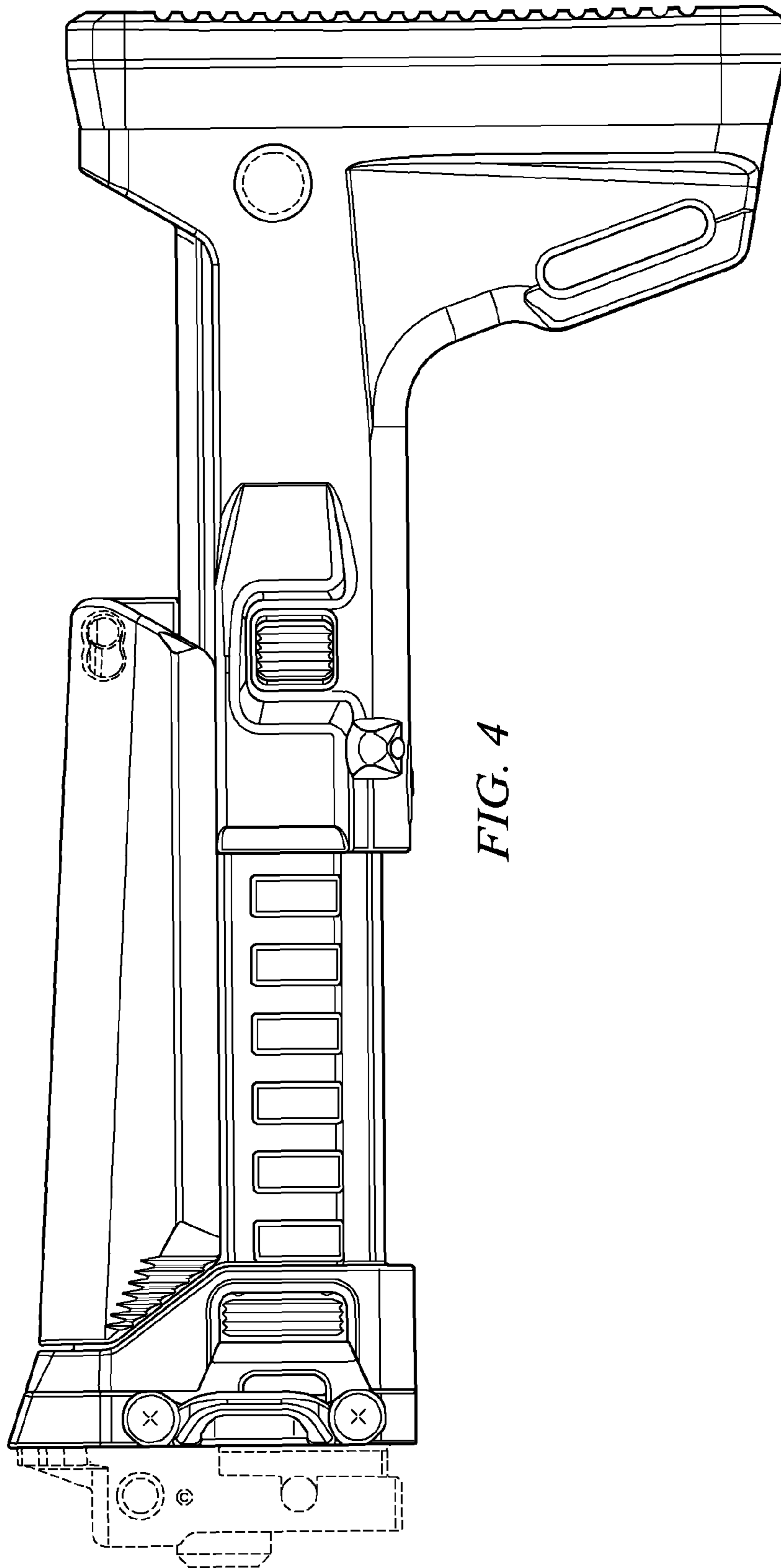


FIG. 4

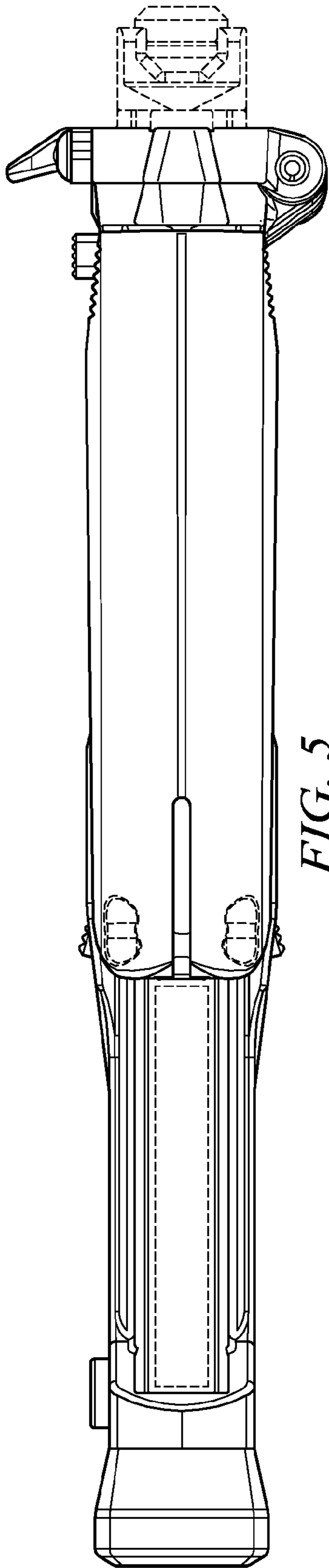


FIG. 5

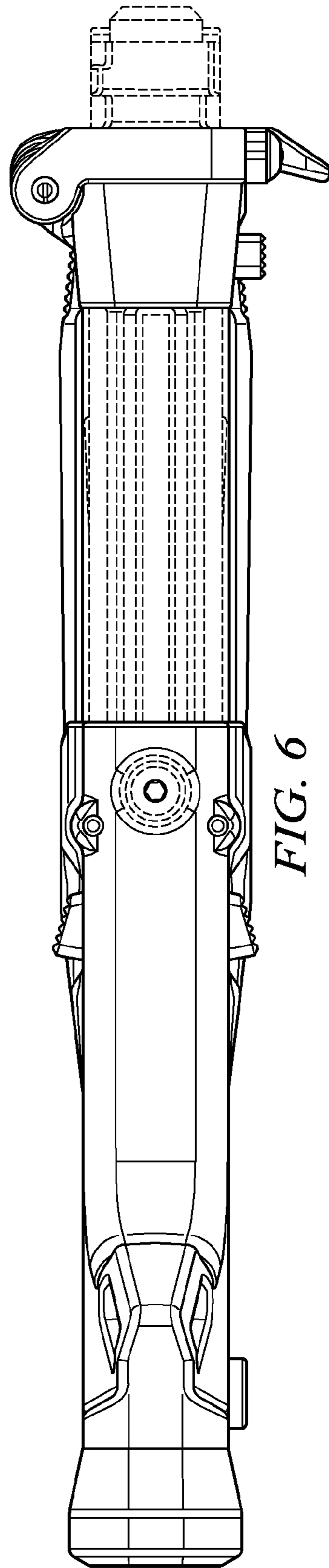


FIG. 6

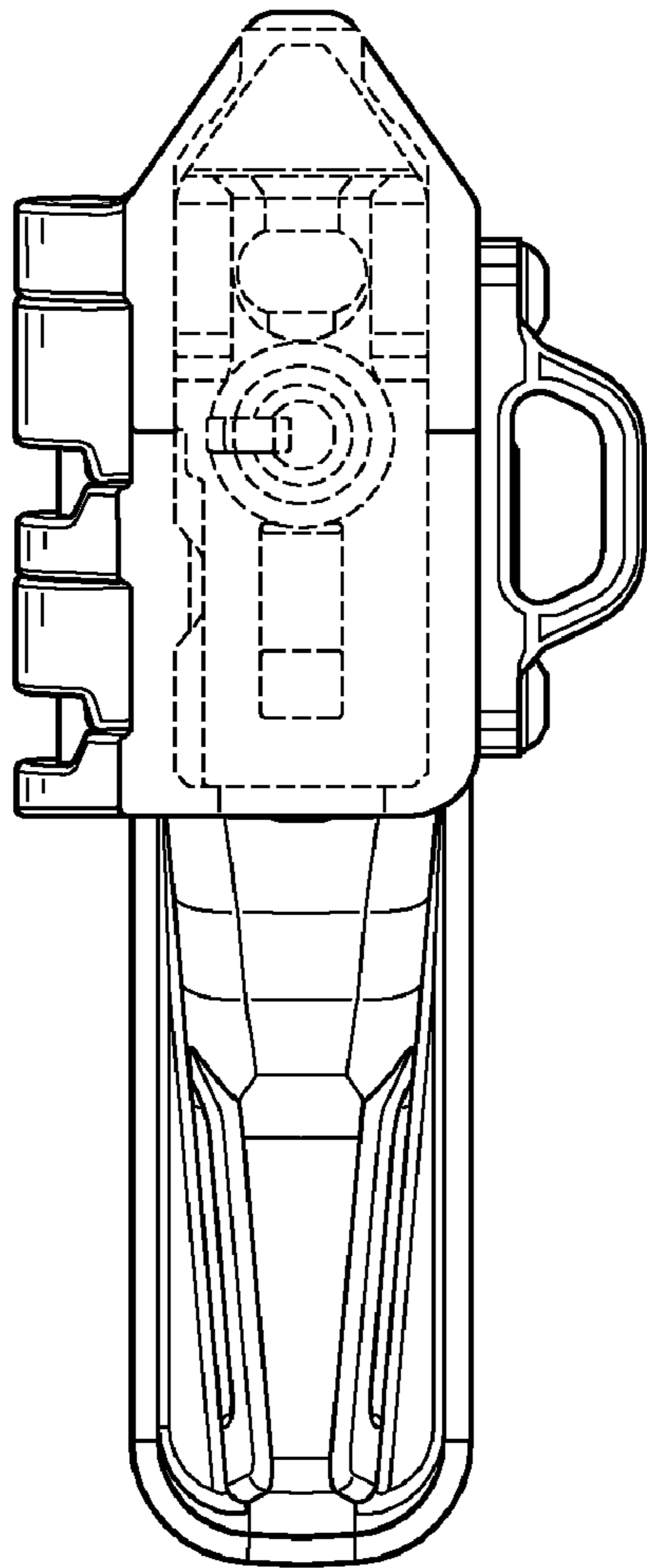


FIG. 7

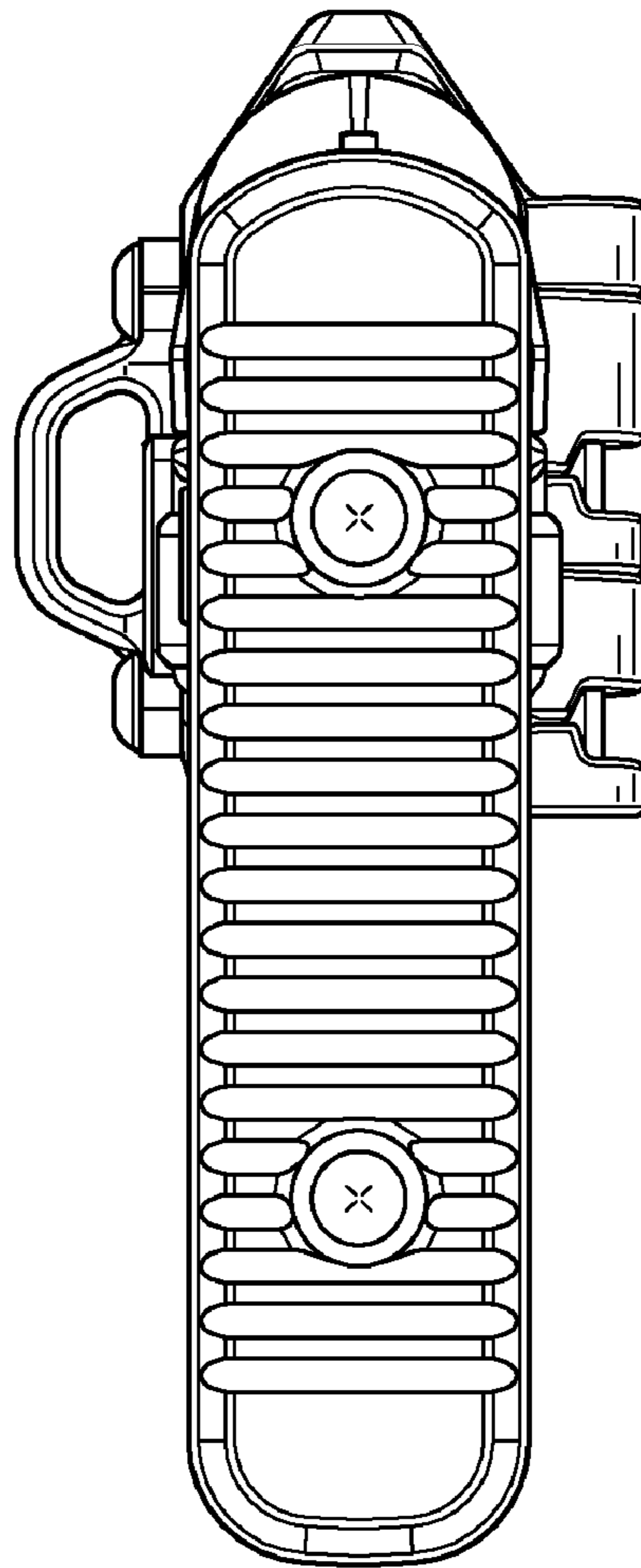


FIG. 8