



US00D636833S

(12) **United States Design Patent**
Mayberry et al.

(10) **Patent No.:** **US D636,833 S**

(45) **Date of Patent:** **** Apr. 26, 2011**

(54) **FIXED FIREARM STOCK**

(75) Inventors: **Michael T. Mayberry**, Denver, CO (US); **Eric Christopher Burt**, Broomfield, CO (US); **Richard Fitzpatrick**, Longmont, CO (US); **Brian Nakayama**, Arvada, CO (US)

(73) Assignee: **Magpul Industries Corporation**, Boulder, CO (US)

(**) Term: **14 Years**

(21) Appl. No.: **29/353,907**

(22) Filed: **Jan. 15, 2010**

(51) **LOC (9) Cl.** **22-01**

(52) **U.S. Cl.** **D22/108**

(58) **Field of Classification Search** D22/100, D22/101, 103, 104, 108, 199; D21/572, D21/573; 42/51, 90, 71.01, 71.02, 73, 75.01, 42/75.02; 89/40.06, 37.04, 33.04; 124/66, 124/67, 74

See application file for complete search history.

(56) **References Cited**

U.S. PATENT DOCUMENTS

3,618,249 A * 11/1971 Grandy 42/73
4,788,785 A * 12/1988 White 42/72
D324,557 S * 3/1992 Livingston D22/103
2010/0205846 A1* 8/2010 Fitzpatrick et al. 42/73

* cited by examiner

Primary Examiner — T. Chase Nelson

Assistant Examiner — Michael A Pratt

(74) *Attorney, Agent, or Firm* — Swanson & Bratschun, L.L.C.

(57) **CLAIM**

The ornamental design for a fixed firearm stock, as shown and described.

DESCRIPTION

FIG. 1 is a left, rear, top perspective view of a fixed firearm stock showing our new design;

FIG. 2 is a left side elevation view of the fixed firearm stock of FIG. 1;

FIG. 3 is a right side elevation view of the fixed firearm stock of FIG. 1;

FIG. 4 is a rear elevation view of the fixed firearm stock of FIG. 1;

FIG. 5 is a front elevation view of the fixed firearm stock of FIG. 1;

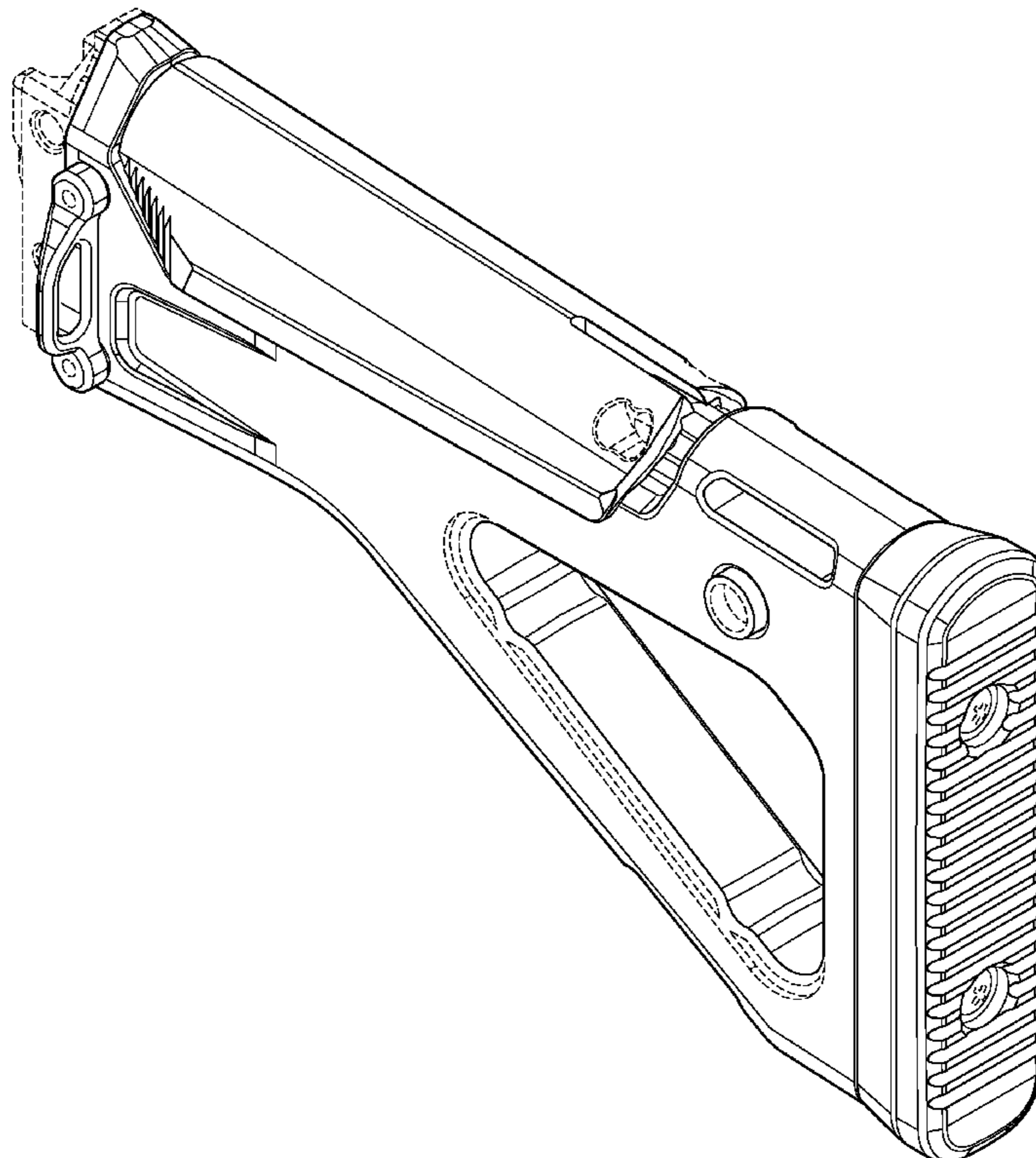
FIG. 6 is a top plan view of the fixed firearm stock of FIG. 1;

FIG. 7 is a left, rear, bottom perspective view of the fixed firearm stock of FIG. 1; and,

FIG. 8 is a right, rear, bottom perspective view of the fixed firearm stock of FIG. 1.

The broken lines showing portions of the design in all figures is included for the purpose of illustrating environment and forms not part of the claimed design.

1 Claim, 7 Drawing Sheets



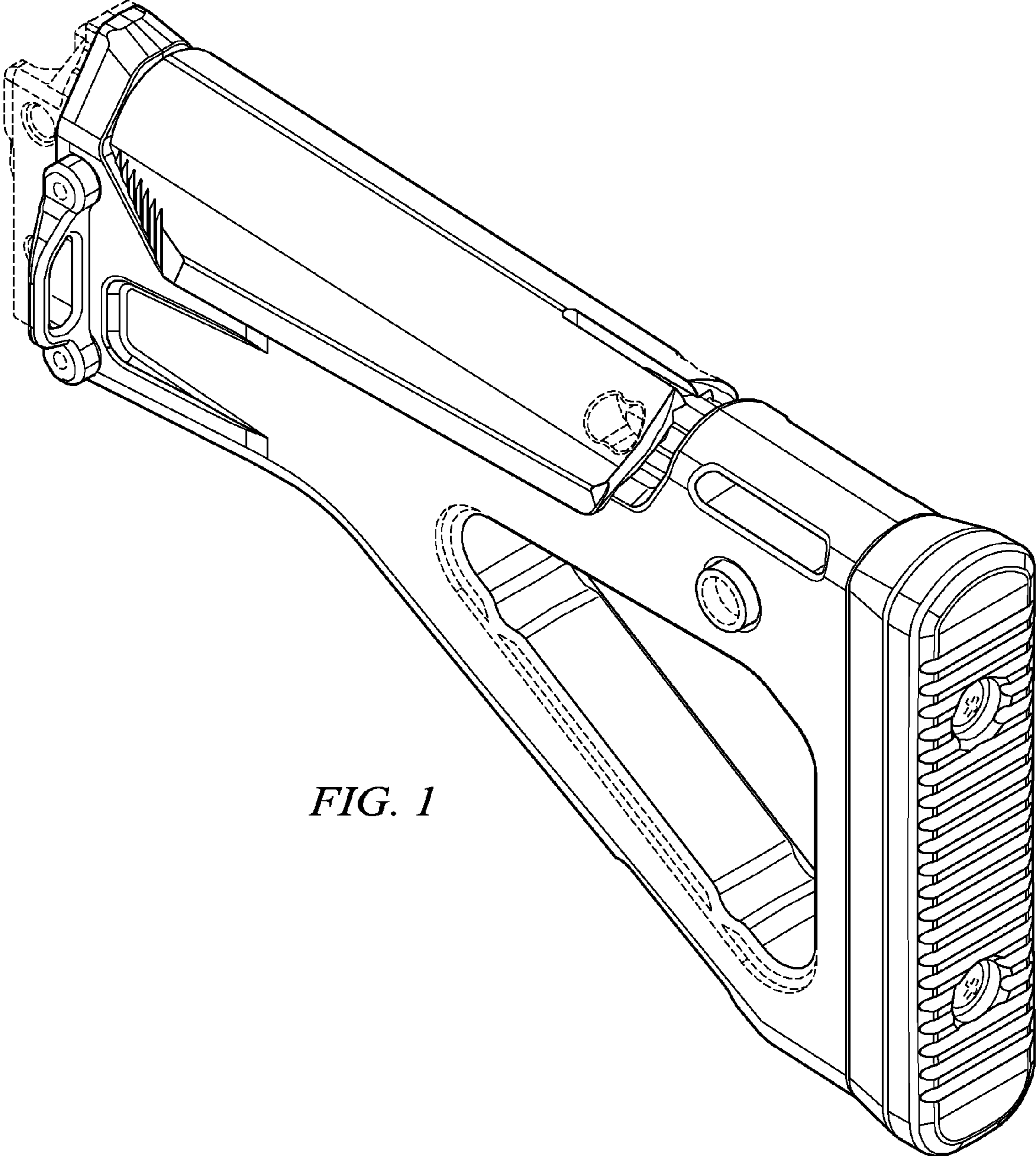


FIG. 1

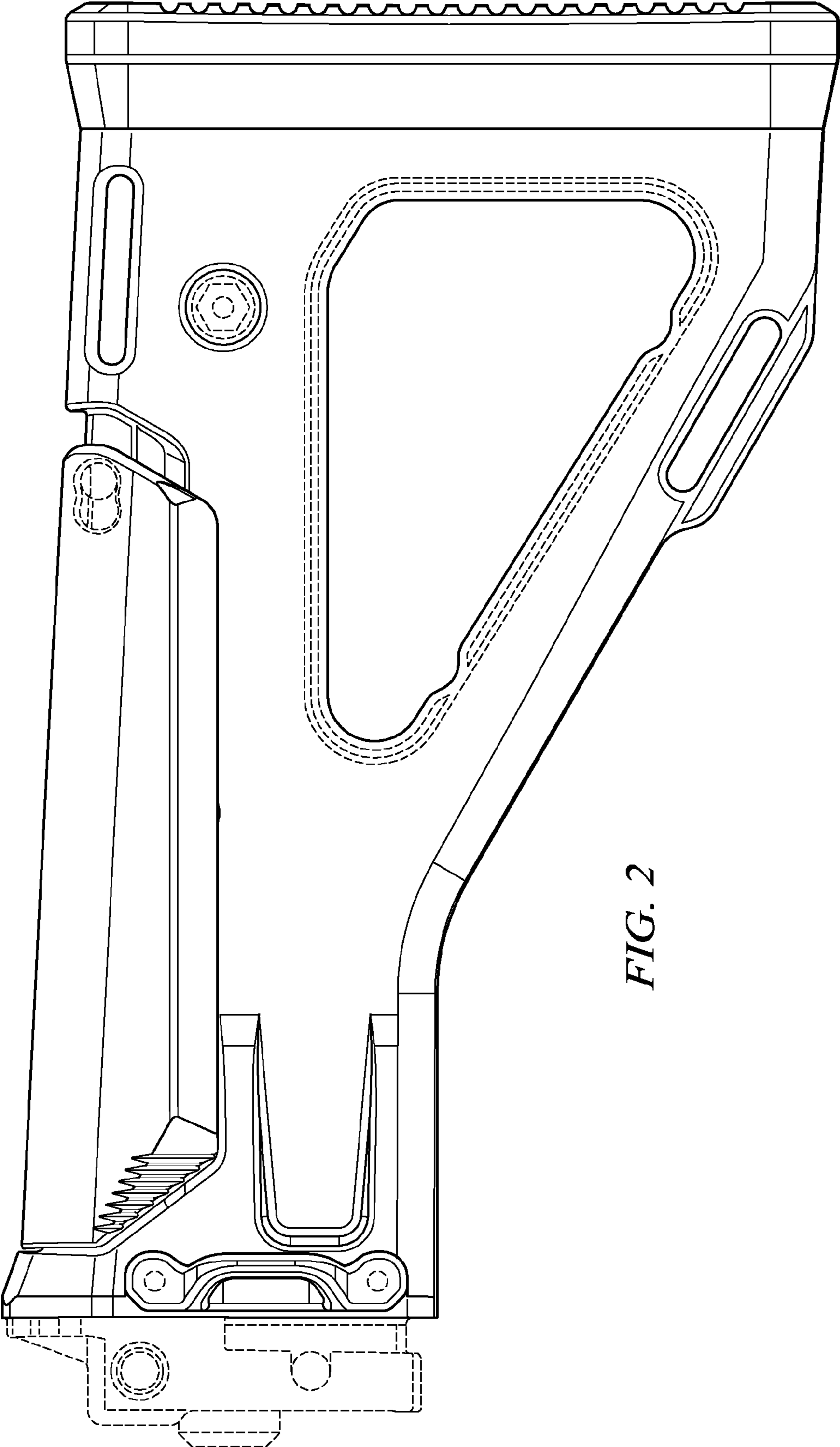


FIG. 2

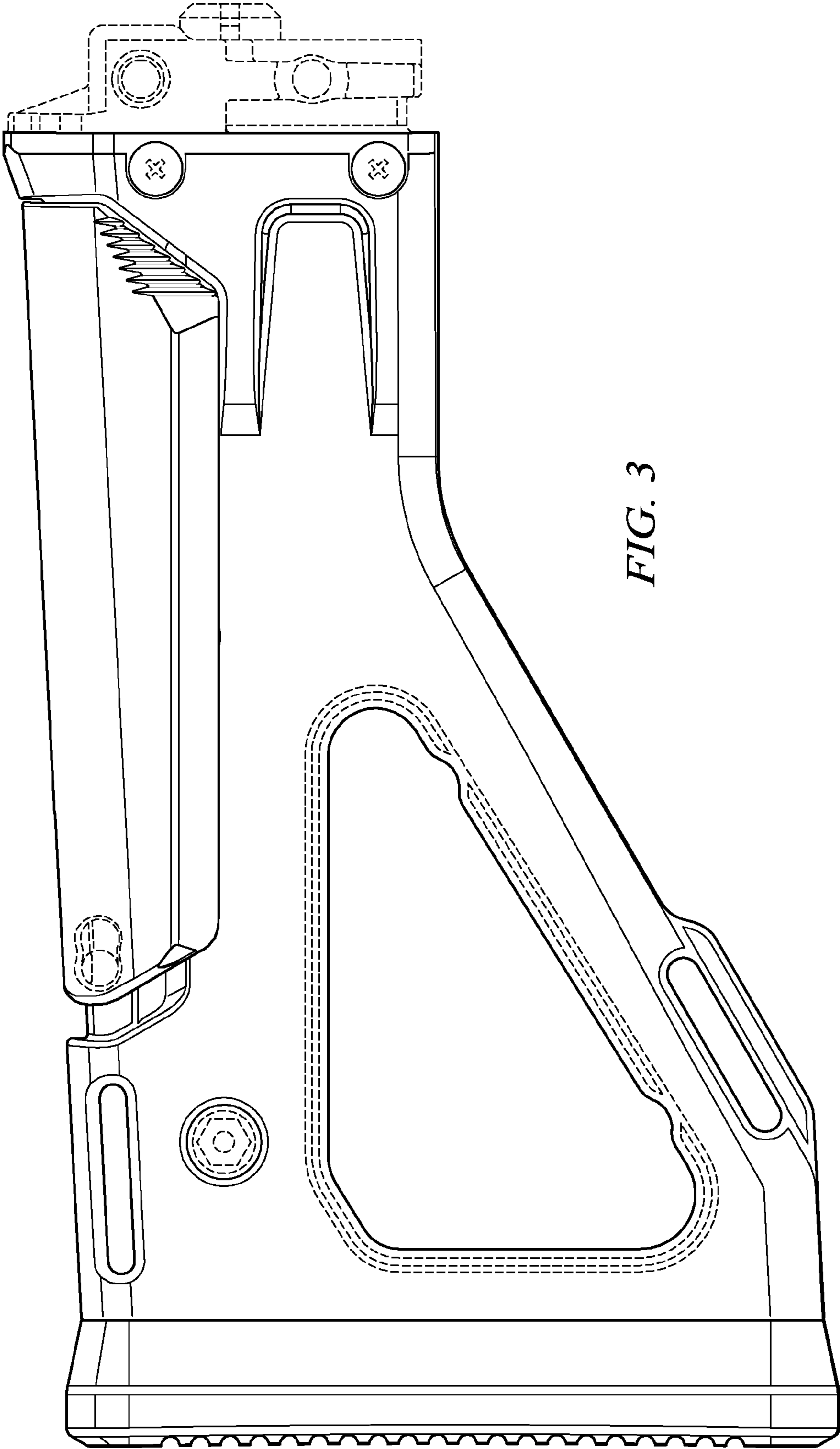


FIG. 3

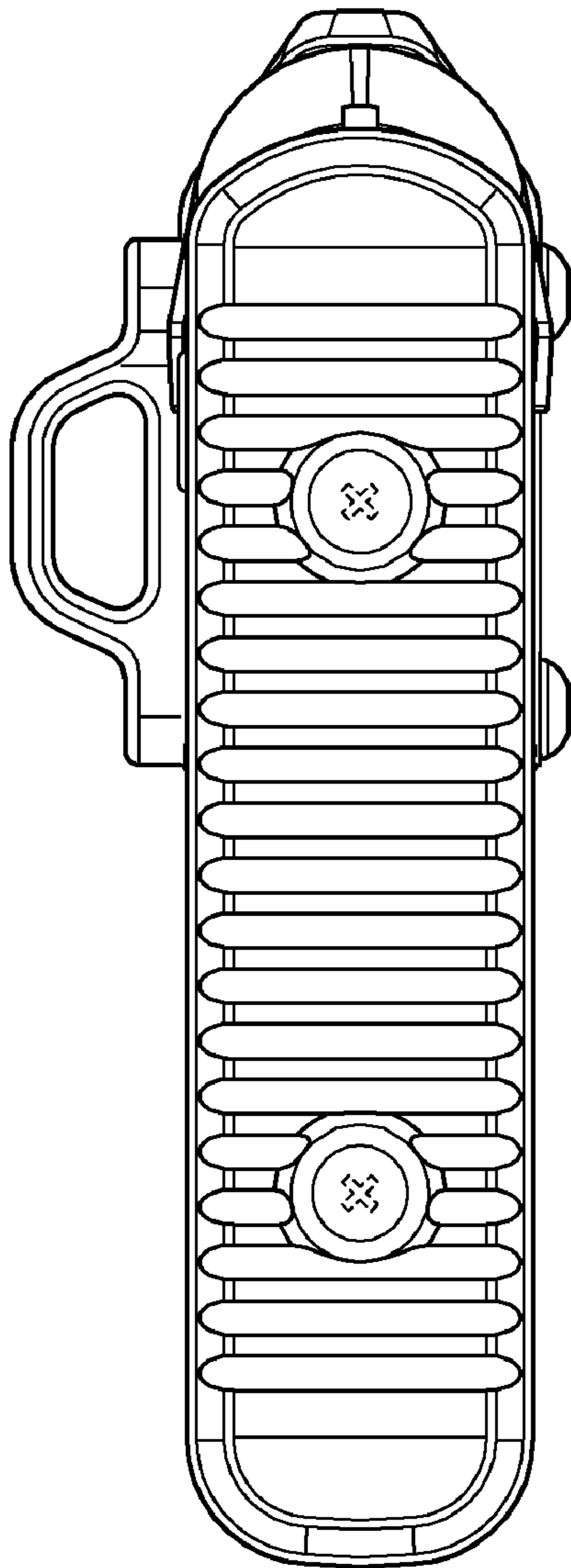


FIG. 4

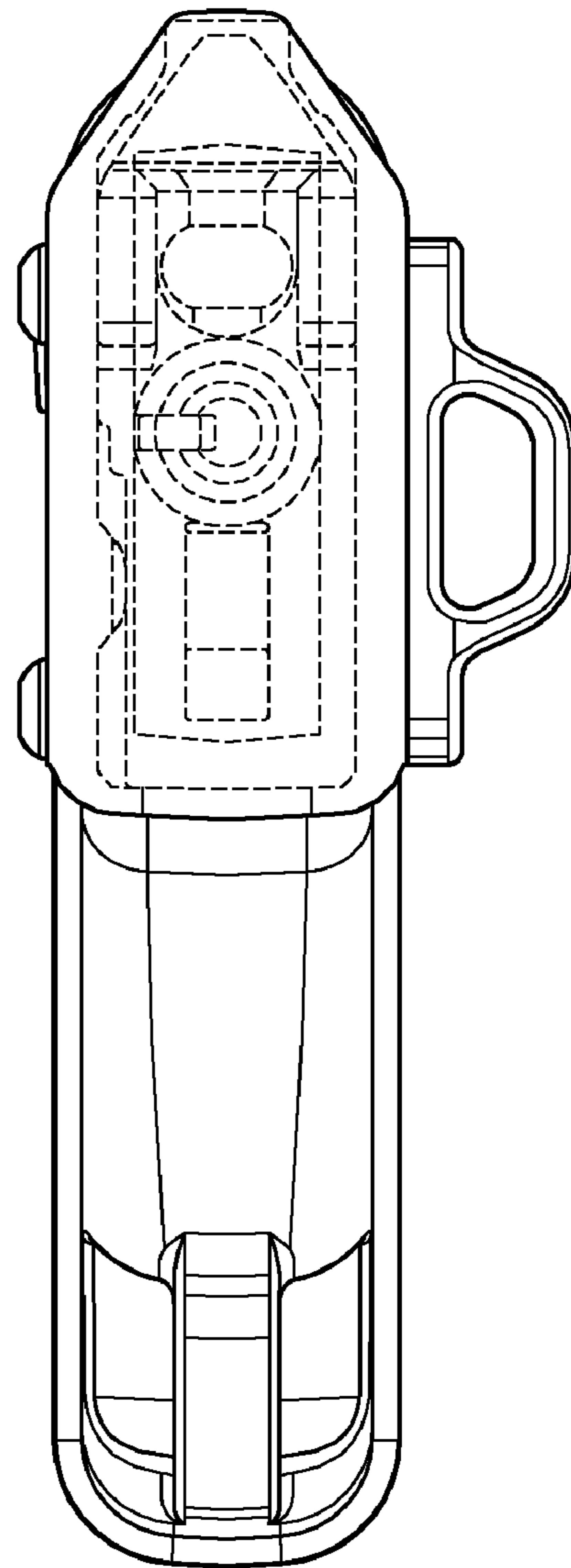


FIG. 5

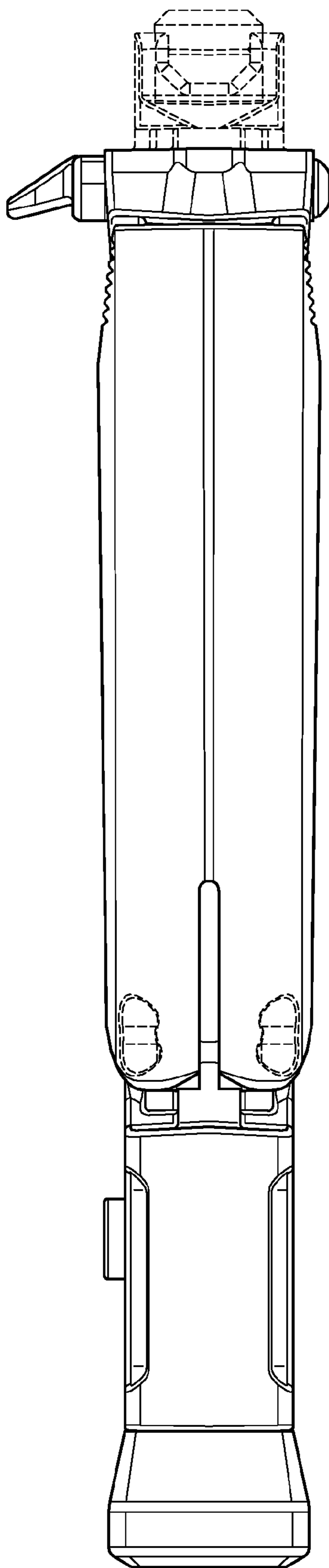


FIG. 6

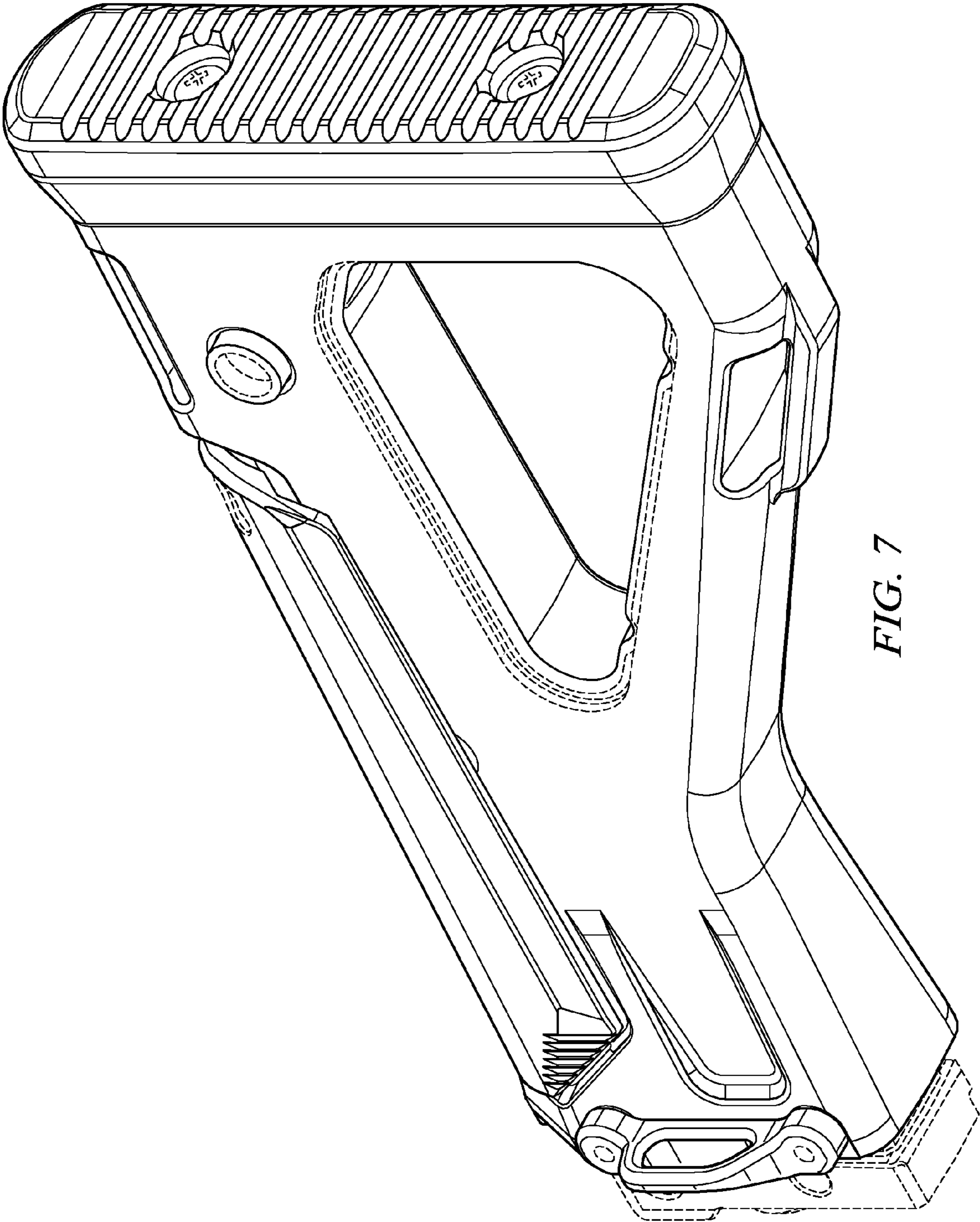


FIG. 7

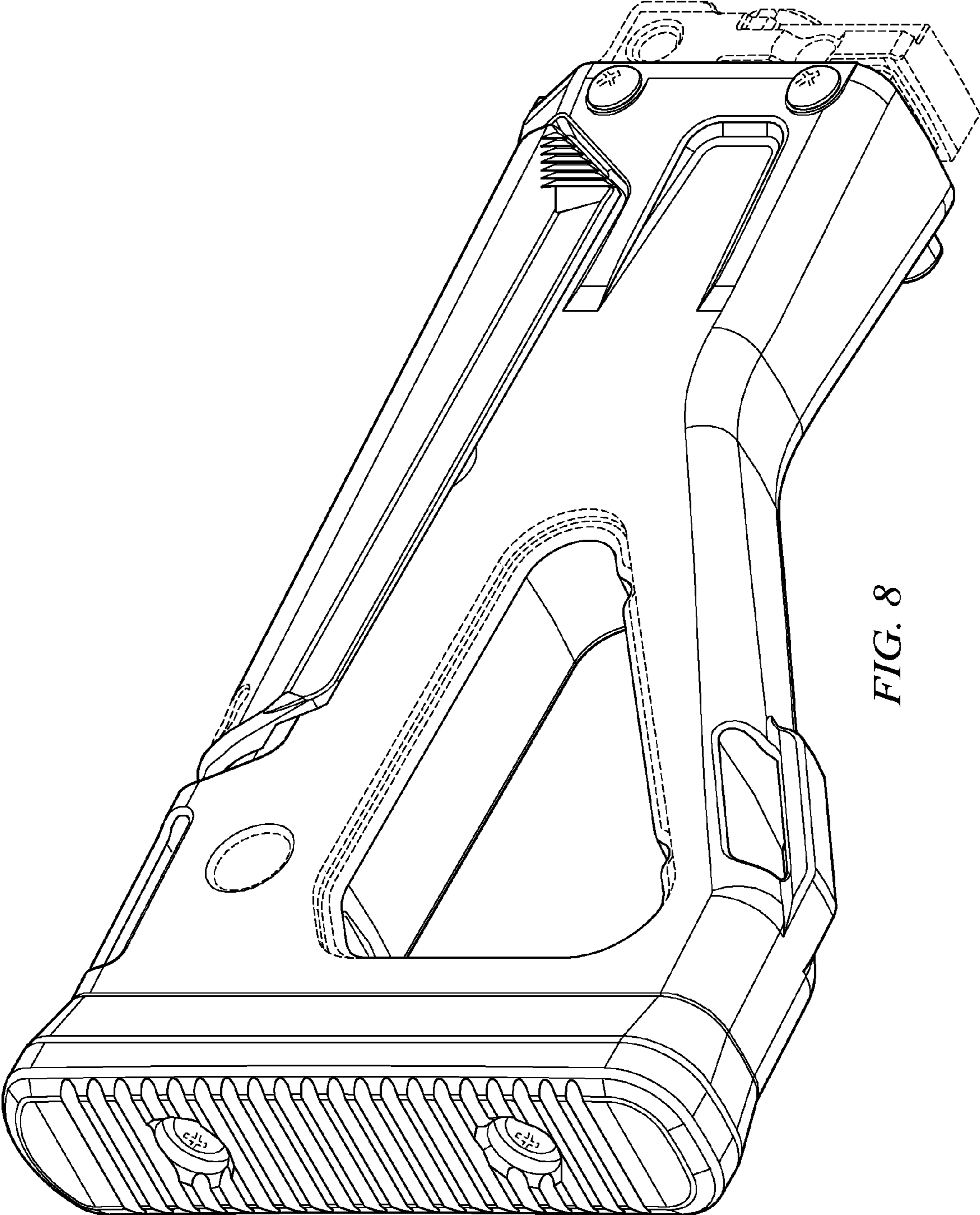


FIG. 8