

US00D636832S

(12) **United States Design Patent**
Mayberry et al.

(10) **Patent No.:** **US D636,832 S**

(45) **Date of Patent:** **** *Apr. 26, 2011**

(54) **LOWER GRIP HOUSING FOR A FIREARM**

2004/0000083 A1 1/2004 Grant
2004/0244258 A1 12/2004 O'Dwyer
2005/0183317 A1 8/2005 Finn

(75) Inventors: **Michael T. Mayberry**, Denver, CO (US); **Eric Christopher Burt**, Broomfield, CO (US); **Richard Fitzpatrick**, Longmont, CO (US); **Brian Nakayama**, Arvada, CO (US)

(Continued)

(73) Assignee: **Magpul Industries Corporation**, Boulder, CO (US)

OTHER PUBLICATIONS

Brownells (Apr. 20, 2010) AR-15 MOD4SA Lower Receiver; Website [Online] Available Web Site: http://www.brownells.com/asp/pid=26955/Product/AR_15_MOD4SA_LOWER_Receiver; Last Update: unknown; Accessed on Apr. 20, 2010.

(*) Notice: This patent is subject to a terminal disclaimer.

(Continued)

(**) Term: **14 Years**

Primary Examiner — T. Chase Nelson

Assistant Examiner — Michael A Pratt

(21) Appl. No.: **29/353,901**

(74) *Attorney, Agent, or Firm* — Swanson & Bratschun, L.L.C.

(22) Filed: **Jan. 15, 2010**

(51) **LOC (9) Cl.** **22-16**

(52) **U.S. Cl.** **D22/108**

(58) **Field of Classification Search** D22/100, D22/108, 109, 110, 199; 42/11, 72, 75.02, 42/71.01, 85, 90, 106, 114, 113, 116, 119, 42/124, 125, 1, 27, 145, 128; 248/201, 205.1; 362/110; 33/241; 313/105 R; 89/40.06, 89/37.04, 33.04, 191.01; 124/67, 66, 74
See application file for complete search history.

(57) **CLAIM**

The ornamental design for a lower grip housing for a firearm, as shown and described.

DESCRIPTION

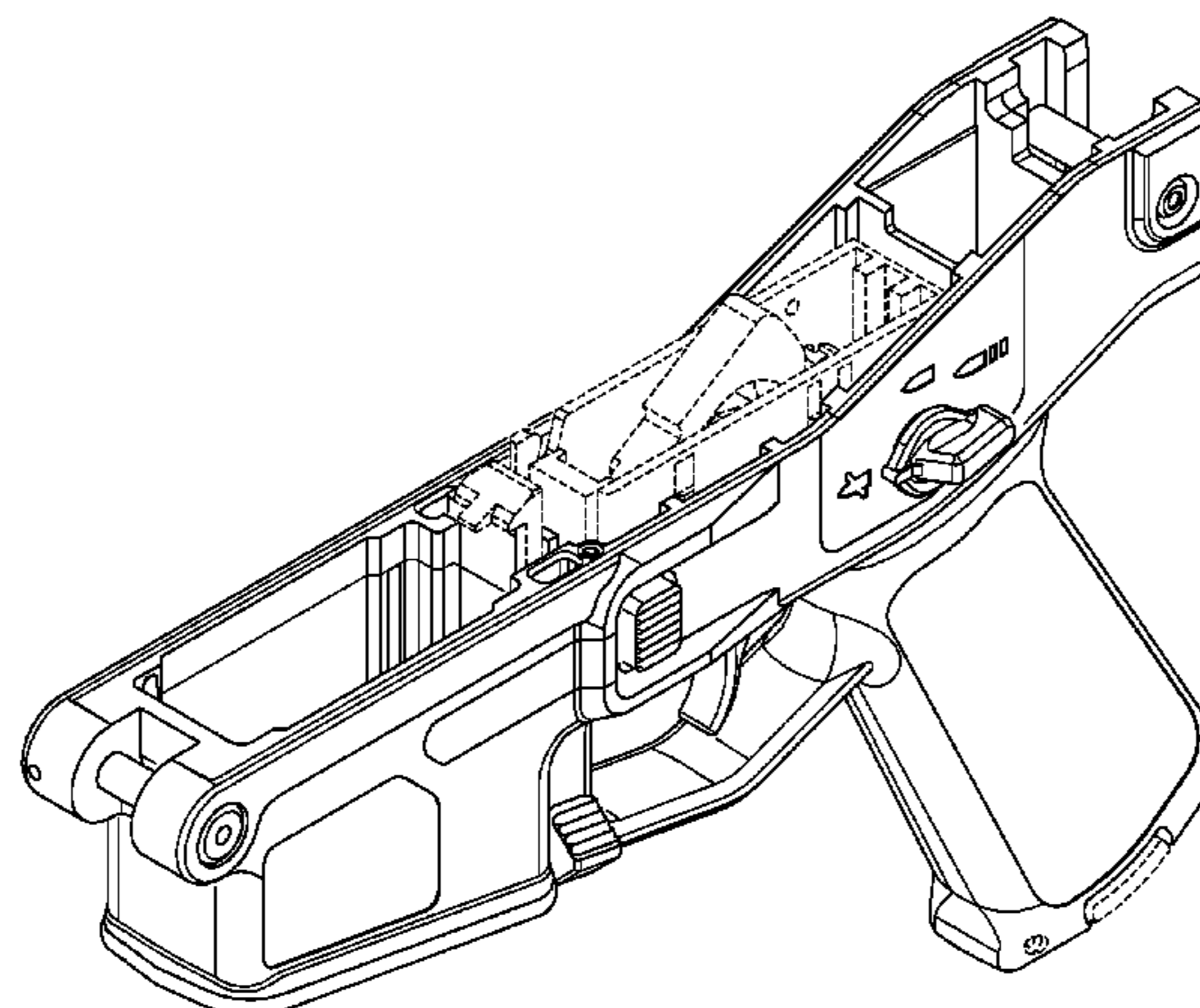
FIG. 1 is a left side top perspective view of a lower grip housing for a firearm showing our new design; FIG. 2 is a right side perspective view of the lower grip housing of FIG. 1; FIG. 3 is a left side elevation view of the lower grip housing of FIG. 1; FIG. 4 is a right side elevation view of the lower grip housing of FIG. 1; FIG. 5 is a top plan view of the lower grip housing of FIG. 1; FIG. 6 is a bottom plan view of the lower grip housing of FIG. 1; FIG. 7 is a front elevation view of the lower grip housing of FIG. 1; and, FIG. 8 is a rear elevation view of the lower grip housing of FIG. 1. The broken lines showing portions of the design in all figures is included for the purpose of illustrating environment and forms not part of the claimed design.

(56) **References Cited**

U.S. PATENT DOCUMENTS

5,519,954	A *	5/1996	Garrett	42/6
5,900,577	A	5/1999	Robinson	
6,481,145	B2	11/2002	Weichert	
6,598,330	B2	7/2003	Garrett	
6,895,708	B2	5/2005	Kim	
D512,117	S	11/2005	Murello	
D516,660	S	3/2006	Murello	
D517,152	S	3/2006	Murello	
D517,637	S	3/2006	Murello	
7,162,823	B2	1/2007	Schoppman	
D551,313	S	9/2007	Saur	
7,428,795	B2	9/2008	Herring	
D603,011	S	10/2009	Fitzpatrick	
D603,012	S	10/2009	Fitzpatrick	

1 Claim, 6 Drawing Sheets



U.S. PATENT DOCUMENTS

2007/0130817 A1 6/2007 Ballard
2008/0168695 A1 7/2008 Nakayama
2008/0236017 A1 10/2008 Fitzpatrick
2010/0170385 A1* 7/2010 Steinke et al. 89/33.17
2010/0275485 A1* 11/2010 Findlay 42/16

OTHER PUBLICATIONS

CO Gun Sales (Apr. 20, 2010) Sig 550/551 Conversion Kit w/o Barrel; Website [Online] Available Web Site: https://www.cogunsales.com/index.php?page=shop.product_details&flypage=shop.flypage&product_id=348&category_id=11&manufacturer_id=0&option=com_virtuemart&Itemid=6; Last Update: Unknown; Accessed on: Apr. 20, 2010.

FNH-USA (Apr. 20, 2010) FN-SCAR 16 w/wikipedia definition; Website [Online] Available Web Site: <http://www.fnhusa.com/le/products/firearms/family.asp?fid=fnf022&gid=fng007>; Last Update: unknown; Accessed on Apr. 20, 2010; Wikipedia (Apr. 20, 2010) FN-SCAR. Website [Online] Available Web Site: http://en.wikipedia.org/wiki/FN_SCAR; Last Update: Apr. 19, 2010; Accessed on Apr. 20, 2010.

HK Parts.net (Apr. 20, 2010) HK German FBI (0,1) G36 lower; Website [Online] Available Web Site: <http://www.hkparts.net/shop/pc/viewPrd.asp?idproduct=628&idcategory=13> Last Update: Unknown; Accessed on: Apr. 20, 2010.

HK Parts.net (Apr. 20, 2010) HK German UMP 3 Position Navy Lower; Website [Online] Available Web Site: <http://www.hkparts.net/shop/pc/HK-German-UMP-3-Position-Navy-0-1-Full-Lower-193p592.htm>; Last Update: Unknown; Accessed on Apr. 20, 2010.

Magpul (Apr. 20, 2010) Enhanced Trigger Guard™, Aluminum—AR15/M16; Website [Online] Available Web Site: <http://store.magpul.com/product/mag015/55>; Last Update: Unknown; Accessed on: Apr. 20, 2010.

Robinson Armament Company (Apr. 20, 2010) Robinson Arms XCR-L Standard; Website [Online] Available Web Site: <http://www.robarm.com/resources/products/xcrlstd/index.aspx>; Last Update: Unknown; Accessed on: Apr. 20, 2010.

Wikipedia (Apr. 20, 2010) XM8 rifle; Website [Online] Available Web Site: http://en.wikipedia.org/wiki/XM8_rifle; Last Update: Apr. 19, 2010; Accessed on Apr. 20, 2010.

* cited by examiner

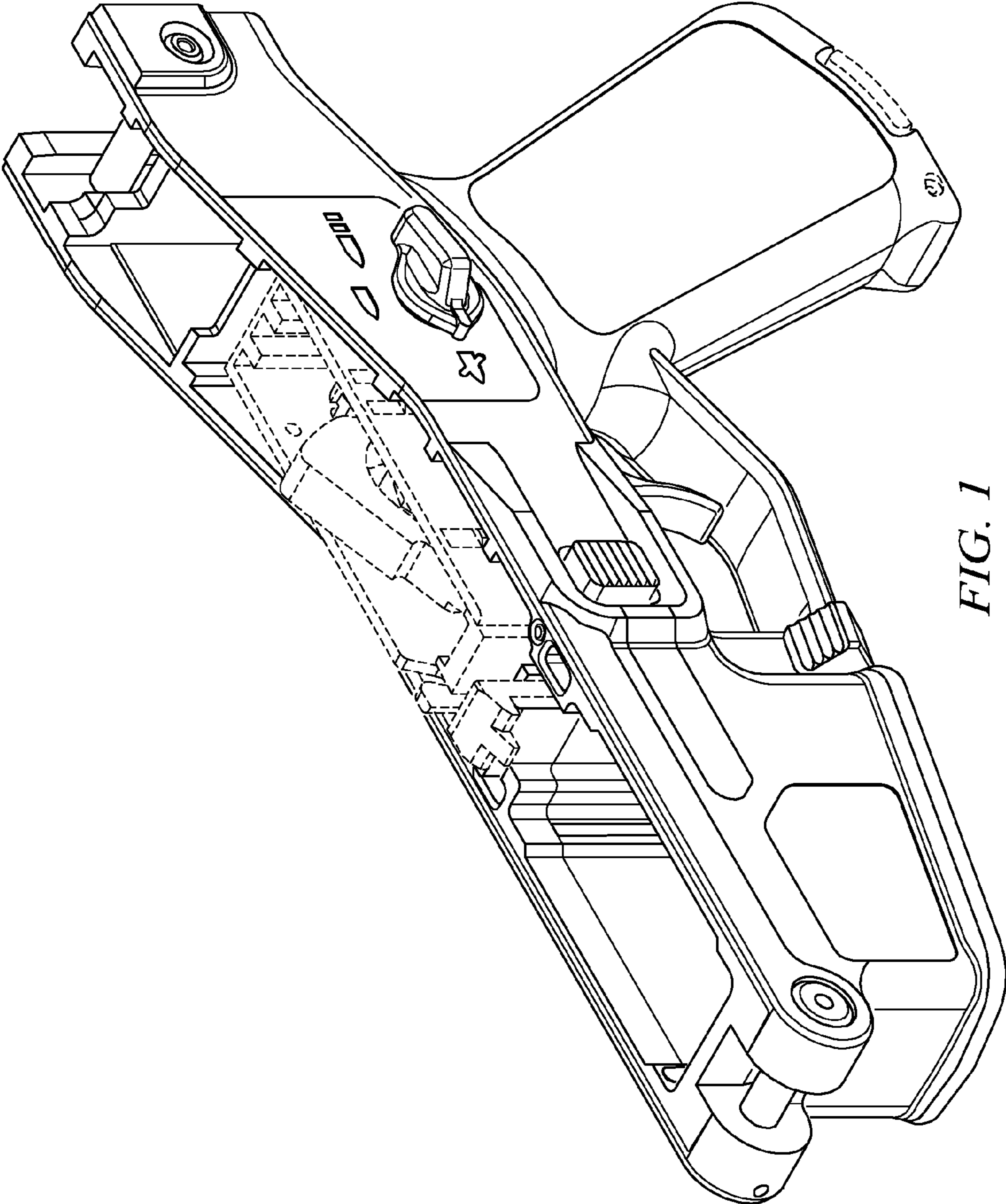


FIG. 1

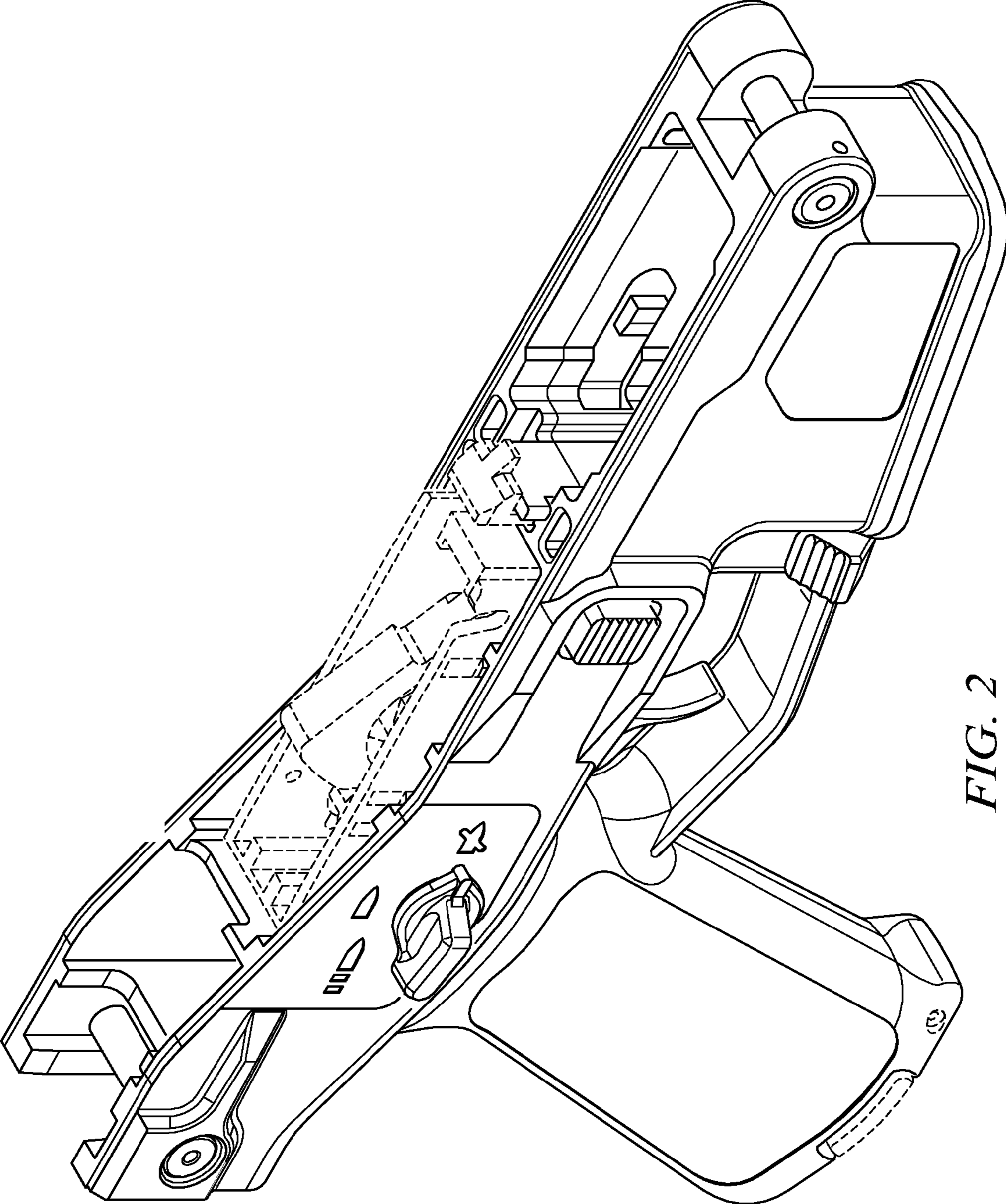


FIG. 2

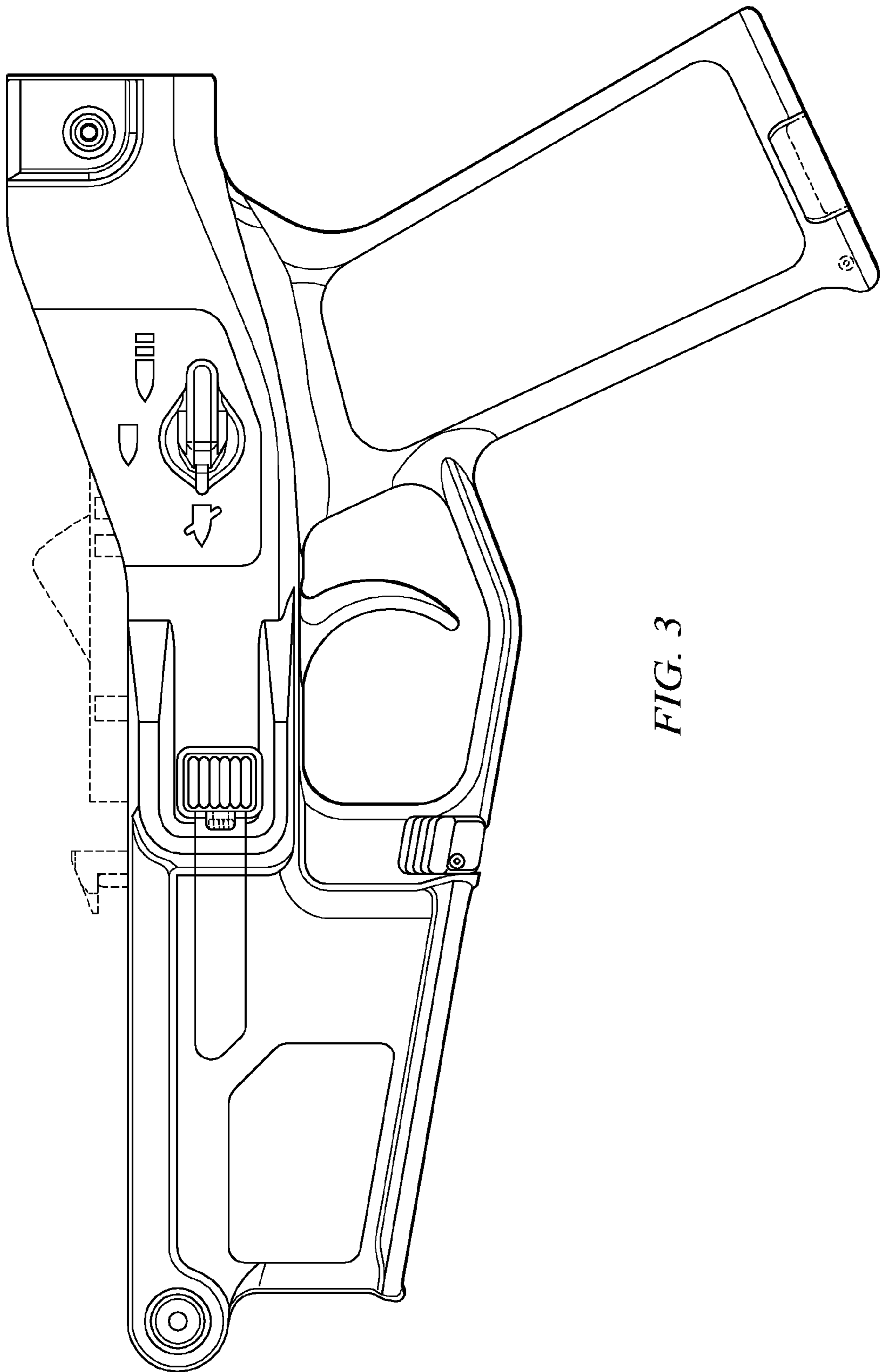


FIG. 3

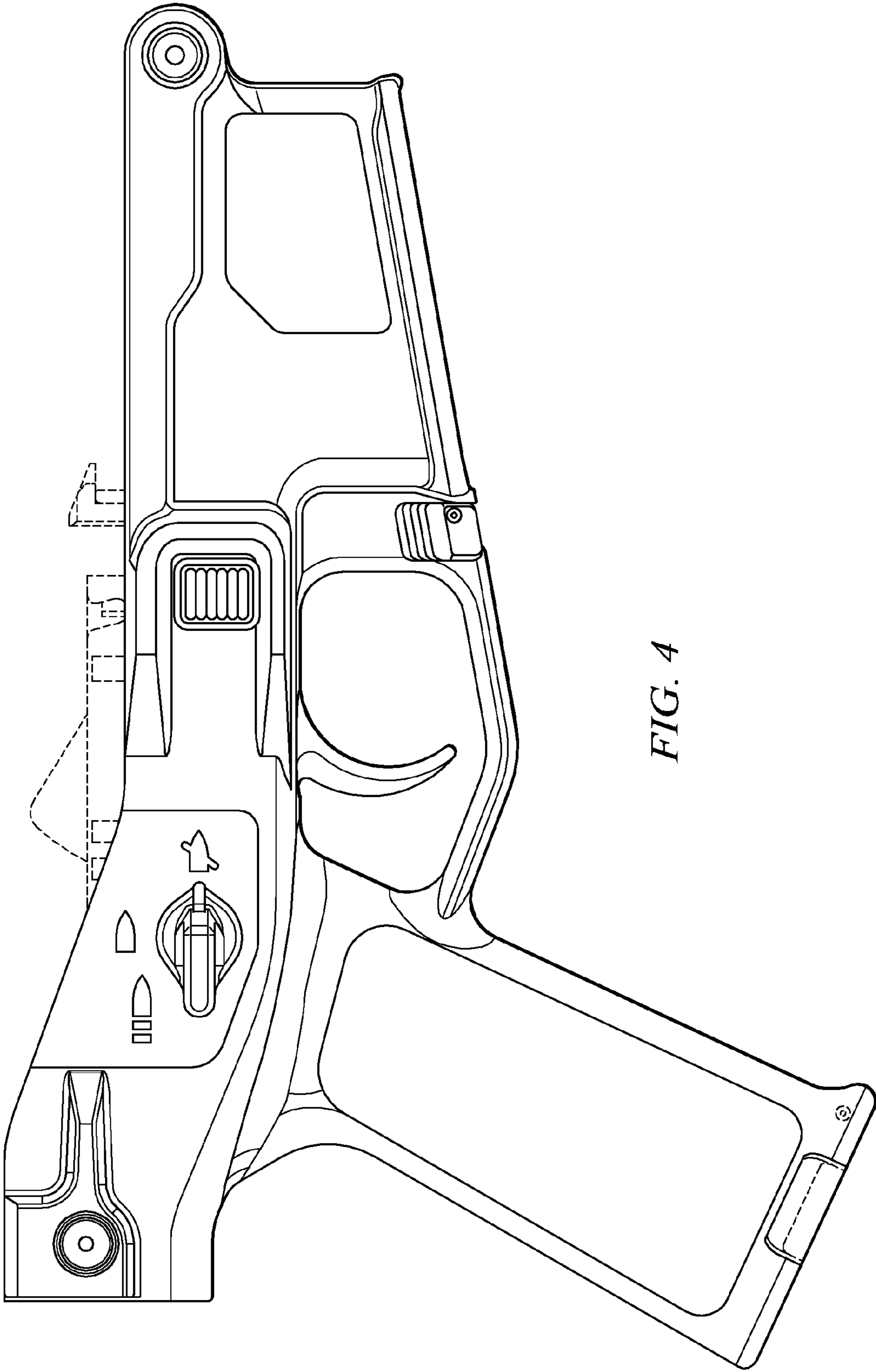


FIG. 4

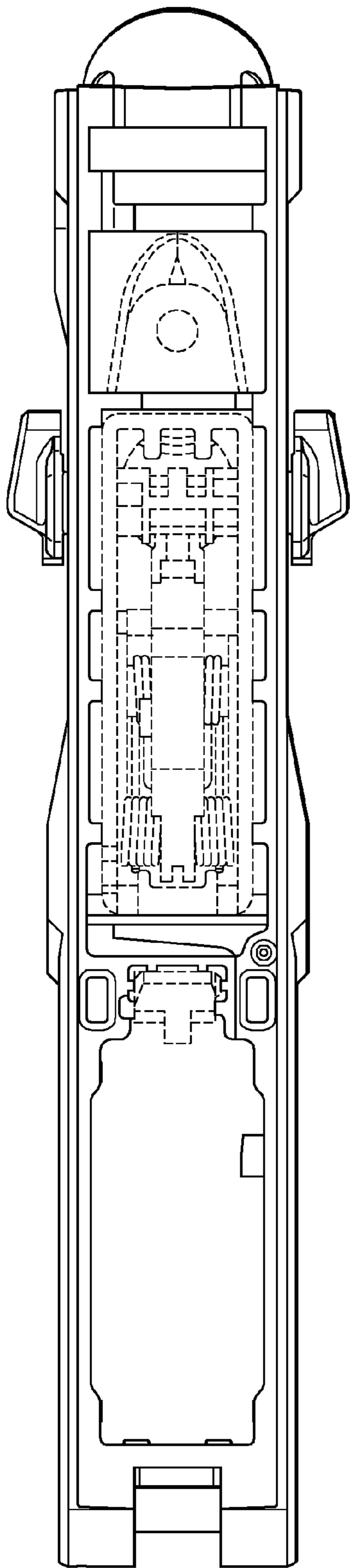


FIG. 5

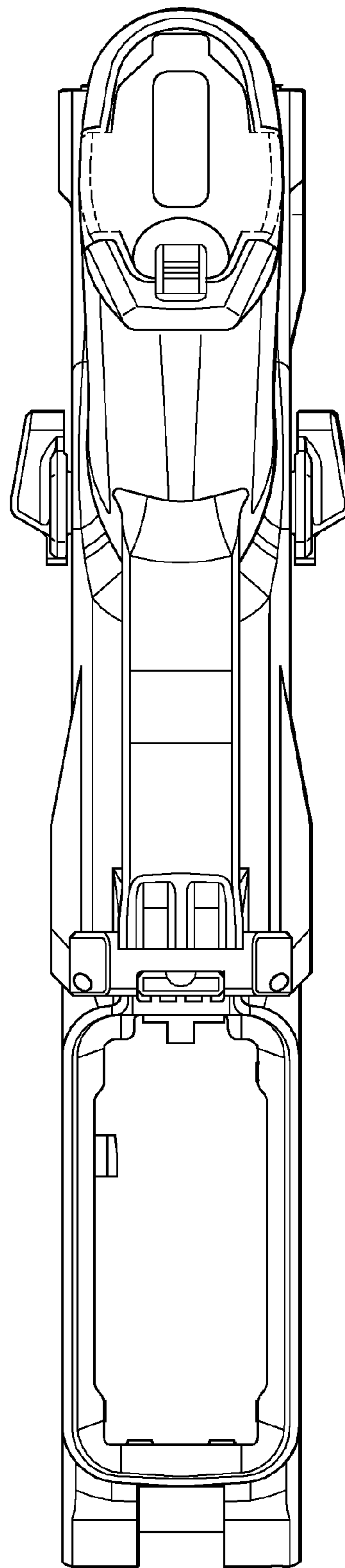


FIG. 6

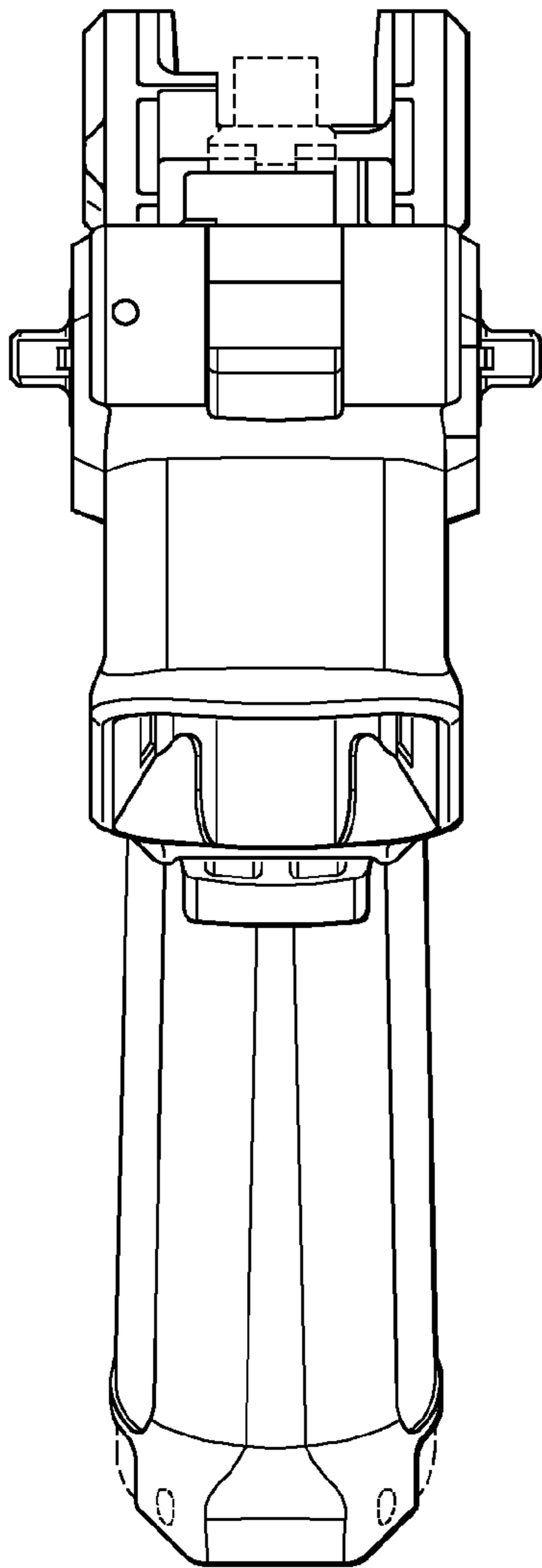


FIG. 7

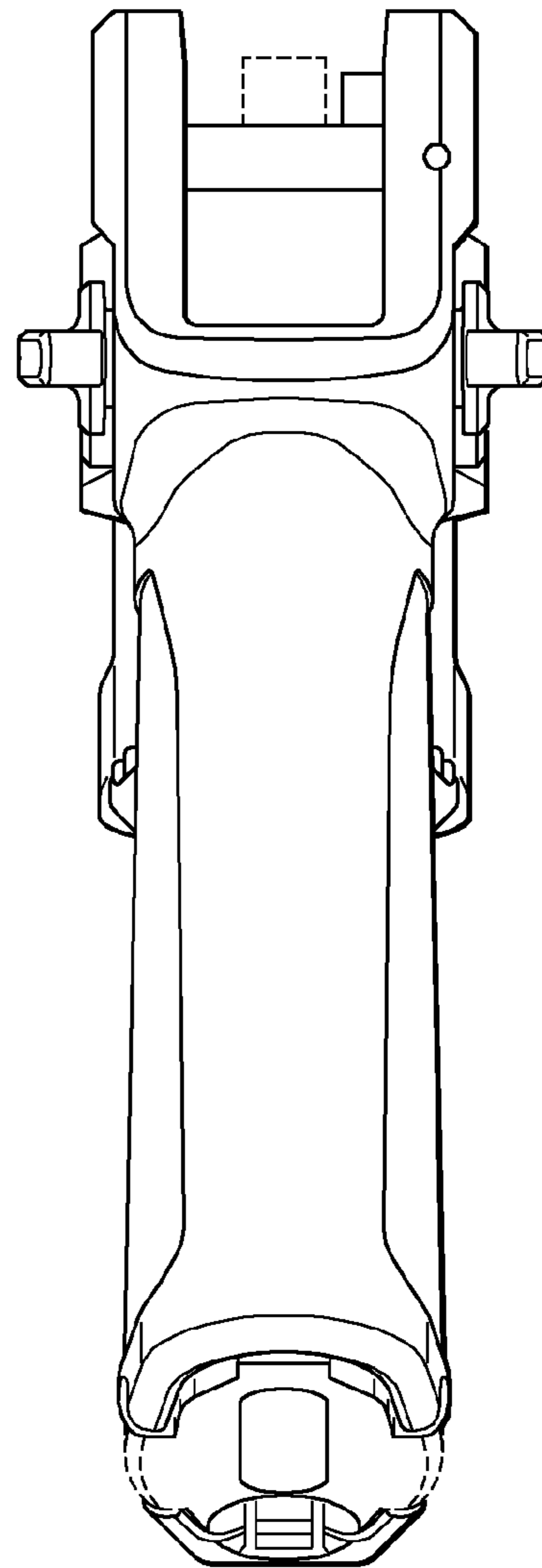


FIG. 8