



US00D636829S

(12) **United States Design Patent**
Cardani

(10) **Patent No.:** **US D636,829 S**

(45) **Date of Patent:** **** Apr. 26, 2011**

(54) **GOLF CLUB HEAD FOR A PUTTER**

(75) Inventor: **Jason Cardani**, Portland, OR (US)

(73) Assignee: **NIKE, Inc.**, Beaverton, OR (US)

(**) Term: **14 Years**

(21) Appl. No.: **29/381,045**

(22) Filed: **Dec. 14, 2010**

(51) **LOC (9) Cl.** **21-02**

(52) **U.S. Cl.** **D21/759**

(58) **Field of Classification Search** D21/736-746,
D21/759; 473/324-331, 251-256, 340-341
See application file for complete search history.

(56) **References Cited**

U.S. PATENT DOCUMENTS

D534,974 S	1/2007	Haack	
D536,400 S	2/2007	DiBattista	
D565,137 S *	3/2008	Oldknow et al.	D21/736
D565,141 S *	3/2008	Oldknow et al.	D21/759
D565,142 S *	3/2008	Oldknow et al.	D21/759
D565,681 S	4/2008	Tanaka	
D573,673 S *	7/2008	Noyes	D21/736
D577,398 S *	9/2008	Hilton	D21/744
D582,497 S *	12/2008	Rollinson	D21/744
D589,575 S *	3/2009	Kim et al.	D21/744
D590,034 S *	4/2009	Foster et al.	D21/744
D590,035 S *	4/2009	Hilton	D21/744
D590,461 S *	4/2009	Kim et al.	D21/743
D591,371 S *	4/2009	Hilton	D21/736
D595,370 S	6/2009	Ines et al.	
D595,373 S *	6/2009	Kim et al.	D21/744
D603,006 S *	10/2009	Foster et al.	D21/736
D606,139 S	12/2009	Ines et al.	
D607,952 S	1/2010	Demkowski et al.	
D619,666 S *	7/2010	DePaul	D21/743
D621,458 S *	8/2010	Serrano et al.	D21/736
D621,460 S	8/2010	Serrano et al.	
D626,191 S *	10/2010	Hilton	D21/744

OTHER PUBLICATIONS

Austad's Golf Catalog, Spring 2008, pp. 24 and 25, published 2008.
Edwin Watts Golf Catalog, Spring 2010, pp. 15, published Spring 2010.

Odyssey White Hot XG Hawk Putters, announced Jan. 2009, [online], [site visited Oct. 4, 2010]. Available from Internet, <URL: <http://www.edwinwattsgolf.com>>.

Nike IC 20-15 MOI Mid Mallet Putter, Nike, Inc., one color sheet of photographs, announced 2008.

Nike OZ Putters, Nike, Inc., one color sheet of photographs, date unknown but prior to the present application.

Nike Ignite Putters, Nike, Inc., one color sheet of photographs, announced 2007.

* cited by examiner

Primary Examiner — Mitchell Siegel

(74) *Attorney, Agent, or Firm* — Banner & Witcoff, Ltd.

(57) **CLAIM**

The ornamental design for a golf club head for a putter, as shown and described.

DESCRIPTION

FIG. 1 is a top perspective view of a golf club head for a putter showing my new design;

FIG. 2 is a top view thereof;

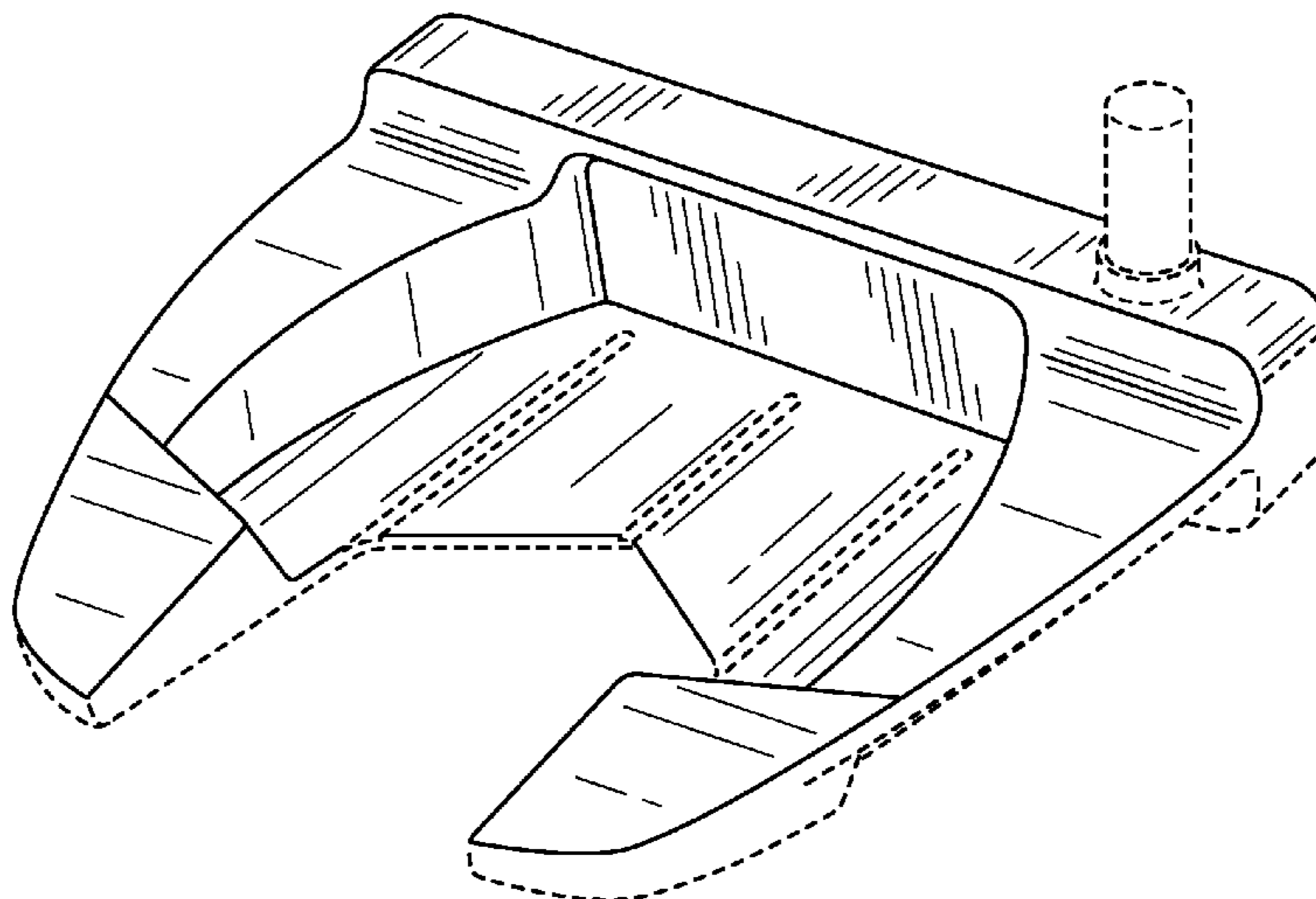
FIG. 3 is a rear view thereof;

FIG. 4 is a heel end view thereof; and,

FIG. 5 is a toe end view thereof.

The broken lines immediately adjacent to the shaded area represent unclaimed boundaries of the design. The broken-line showing of the three stripes and the remainder of the golf club head for a putter are for environmental purposes only and form no part of the claimed design.

1 Claim, 2 Drawing Sheets



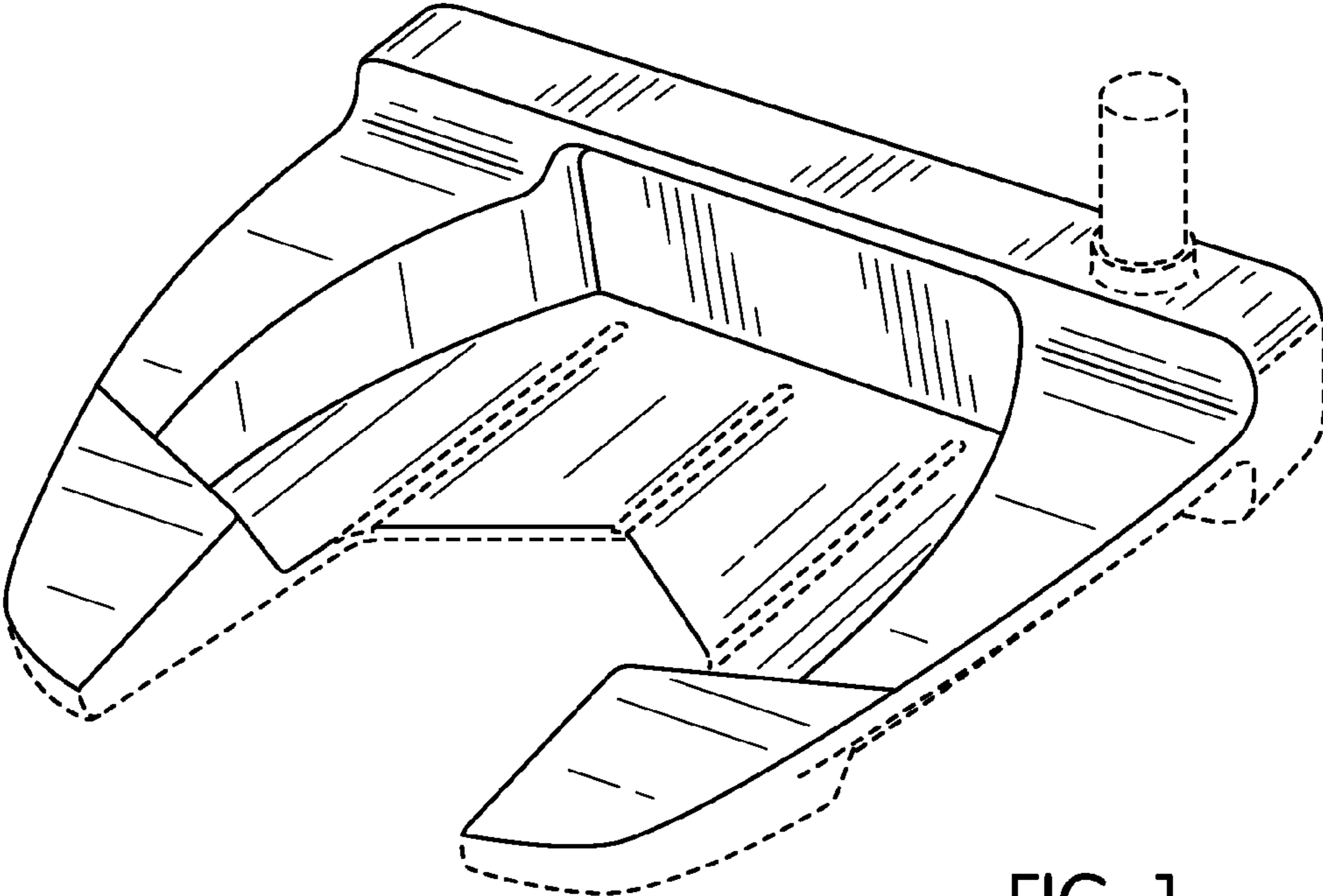


FIG. 1

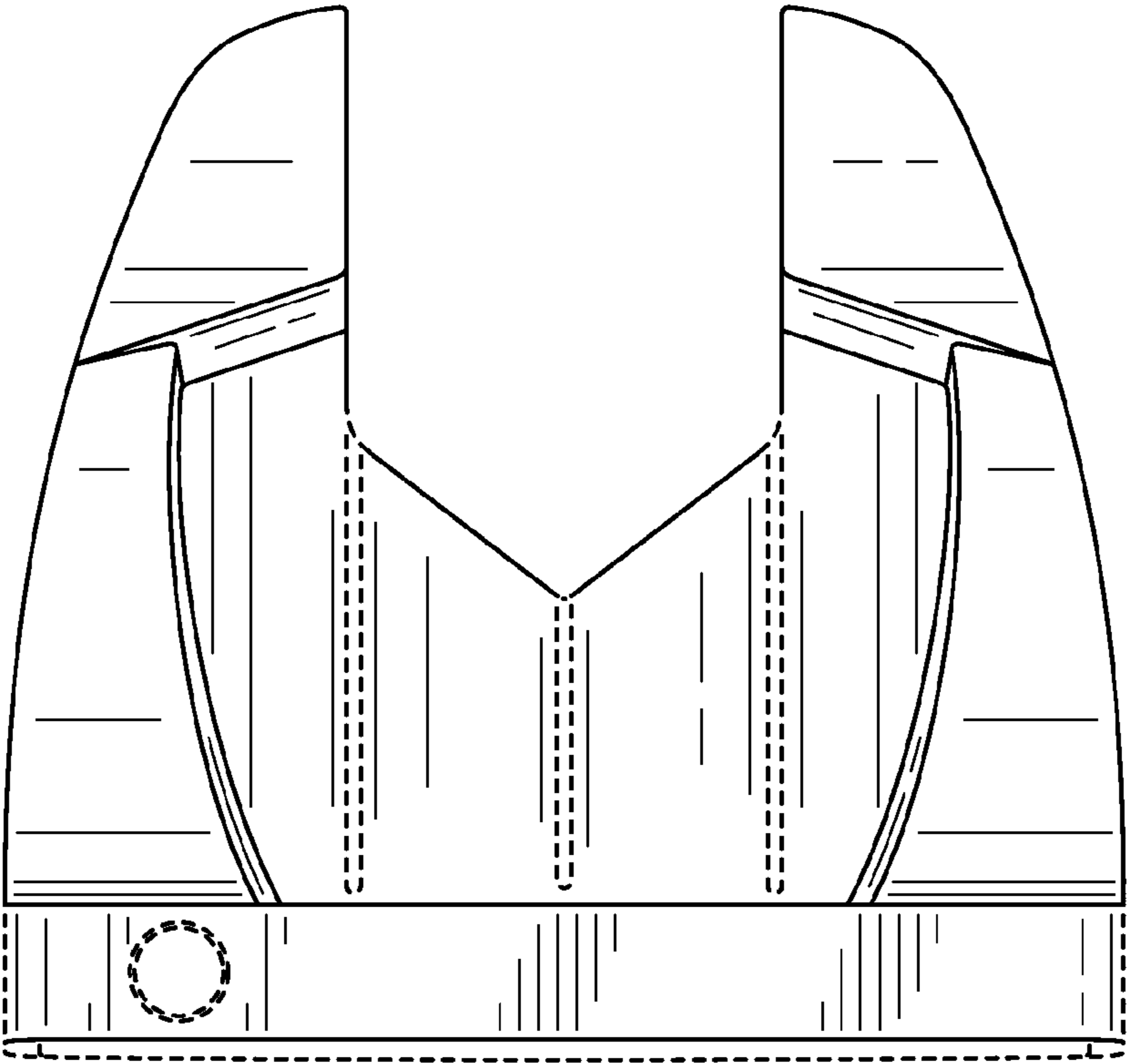


Fig. 2

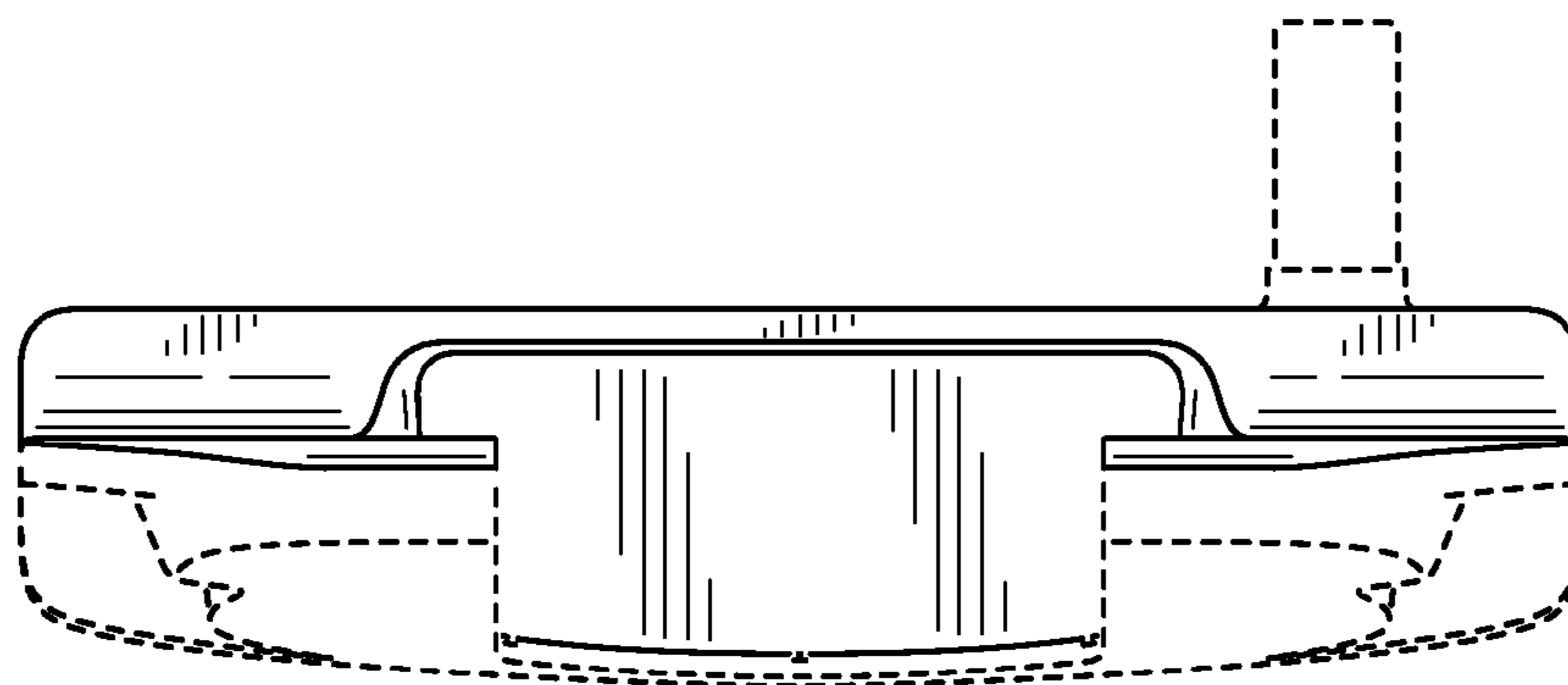


Fig. 3

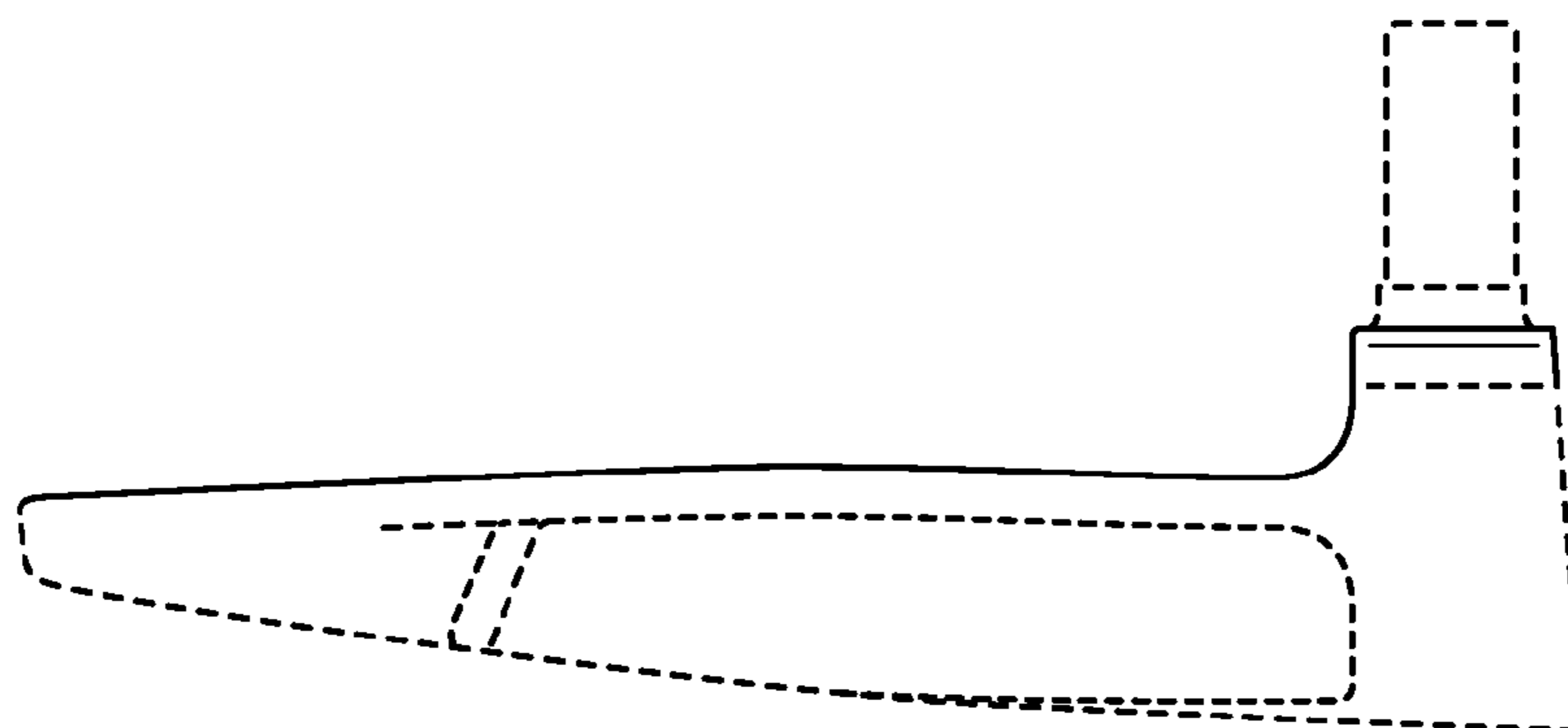


Fig. 4

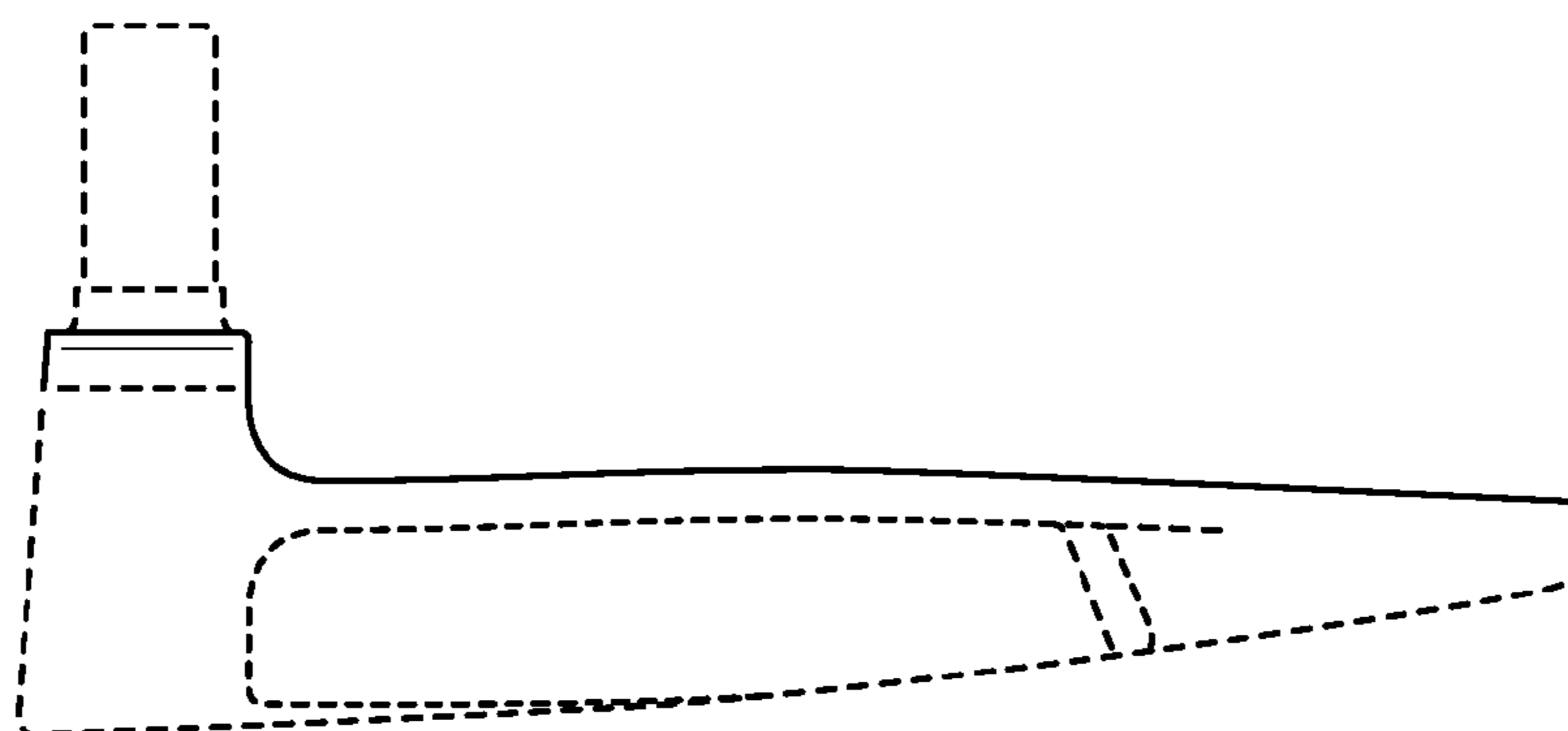


Fig. 5