



US00D636828S

(12) **United States Design Patent**  
**Ross**

(10) **Patent No.:** **US D636,828 S**  
(45) **Date of Patent:** **\*\* Apr. 26, 2011**

(54) **PUTTER**

(76) **Inventor:** **Stephen T. Ross**, Medina, OH (US)

(\*\*) **Term:** **14 Years**

(21) **Appl. No.:** **29/361,292**

(22) **Filed:** **May 10, 2010**

(51) **LOC (9) Cl.** ..... **21-02**

(52) **U.S. Cl.** ..... **D21/736**

(58) **Field of Classification Search** ..... D21/736-746;  
473/324-331, 340-341, 251-256  
See application file for complete search history.

4,871,174 A	10/1989	Kobayashi	
D317,193 S *	5/1991	Florian	D21/735
D325,414 S *	4/1992	Woolsey	D21/737
5,433,444 A	7/1995	Chiuminatta et al.	
D403,387 S *	12/1998	Bloomer	D21/736
5,846,140 A	12/1998	Hoburg	
D499,777 S *	12/2004	Yamamoto	D21/742
7,052,409 B2	5/2006	Goldsmith	
7,083,525 B2	8/2006	Pond et al.	
7,101,288 B2	9/2006	Thomas	
7,226,362 B1	6/2007	Schell et al.	
2006/0040762 A1	2/2006	Chupka et al.	

\* cited by examiner

*Primary Examiner* — Mitchell I Siegel

(74) *Attorney, Agent, or Firm* — McDonnell Boehnen Hulbert & Berghoff LLP

(56) **References Cited**

**U.S. PATENT DOCUMENTS**

3,019,022 A	1/1962	Ehmke	
3,637,218 A	1/1972	Carlino	
3,866,922 A	2/1975	Marci et al.	
3,880,430 A	4/1975	McCabe	
4,138,117 A	2/1979	Dalton	
4,222,566 A *	9/1980	Berry	473/252
4,343,472 A	8/1982	Hamilton	
4,369,974 A	1/1983	Komperda	
4,508,342 A	4/1985	Drake	
4,749,196 A	6/1988	Podgor	
D300,839 S *	4/1989	Dupont	D21/738

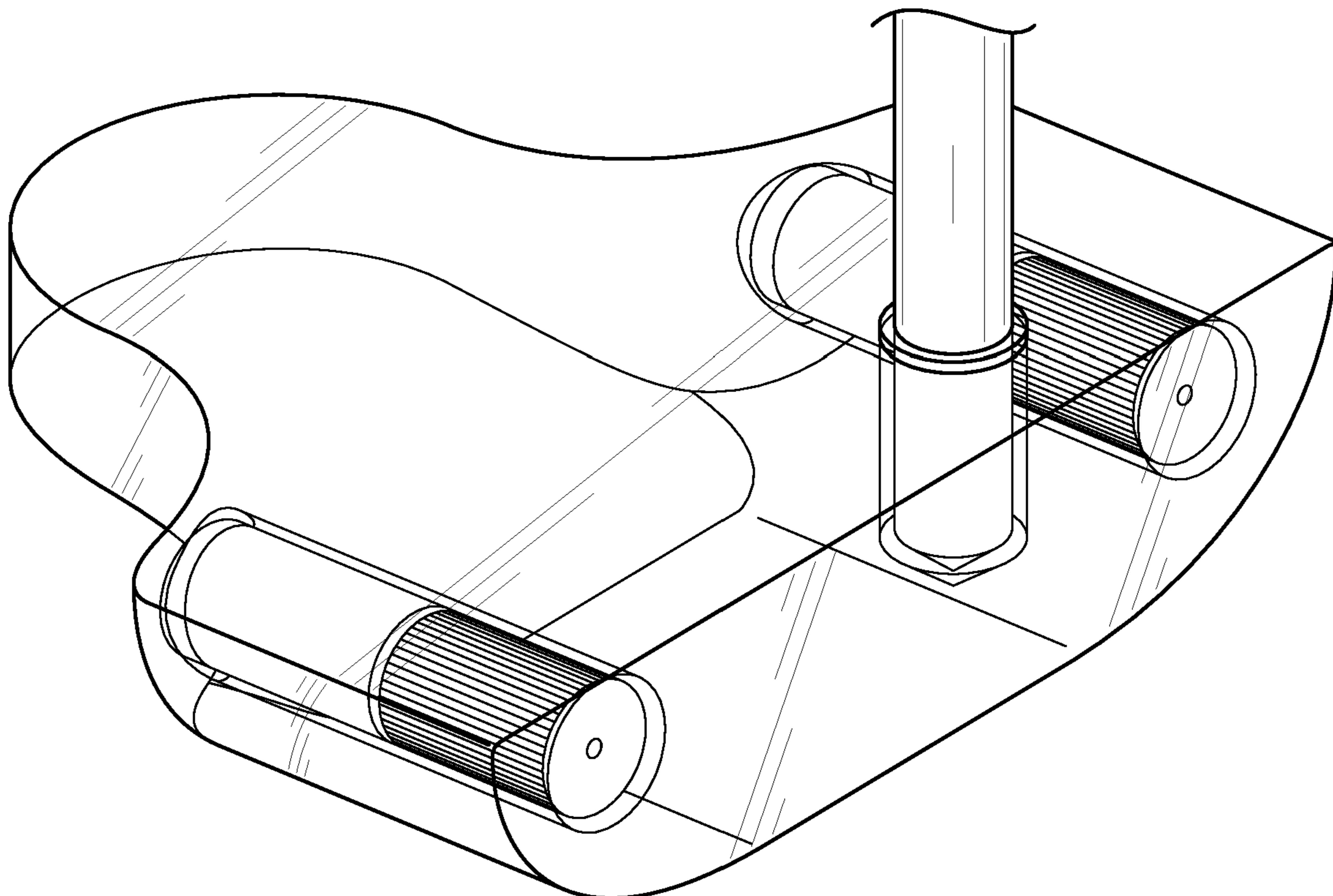
(57) **CLAIM**

The ornamental design for a putter, as shown and described.

**DESCRIPTION**

FIG. 1 is a perspective view of the putter of the present design;  
FIG. 2 is a front view thereof;  
FIG. 3 is a rear view thereof;  
FIG. 4 is a left side view thereof;  
FIG. 5 is a right side view thereof;  
FIG. 6 is a top view thereof; and,  
FIG. 7 is a bottom view thereof.

**1 Claim, 5 Drawing Sheets**



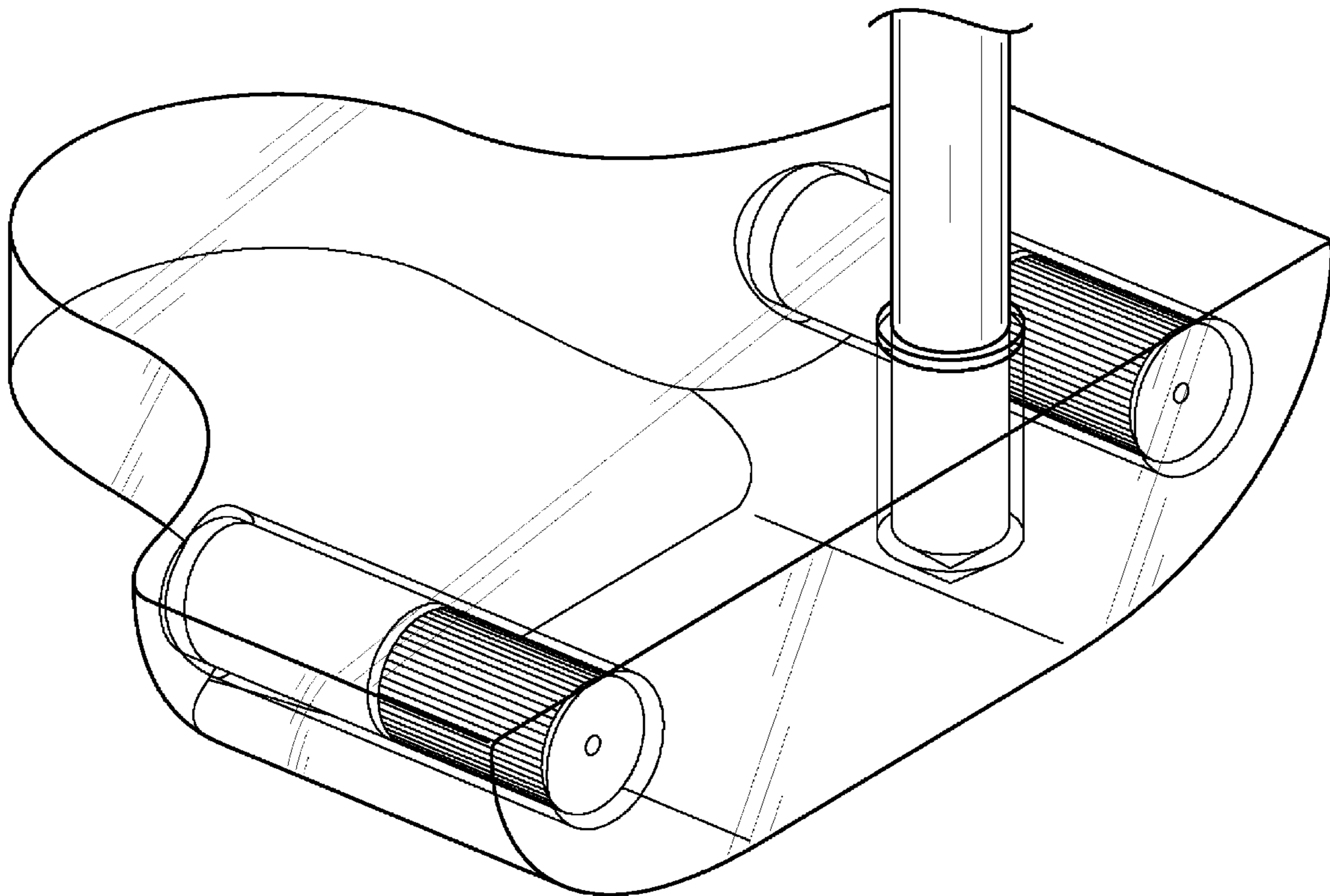


FIG. 1

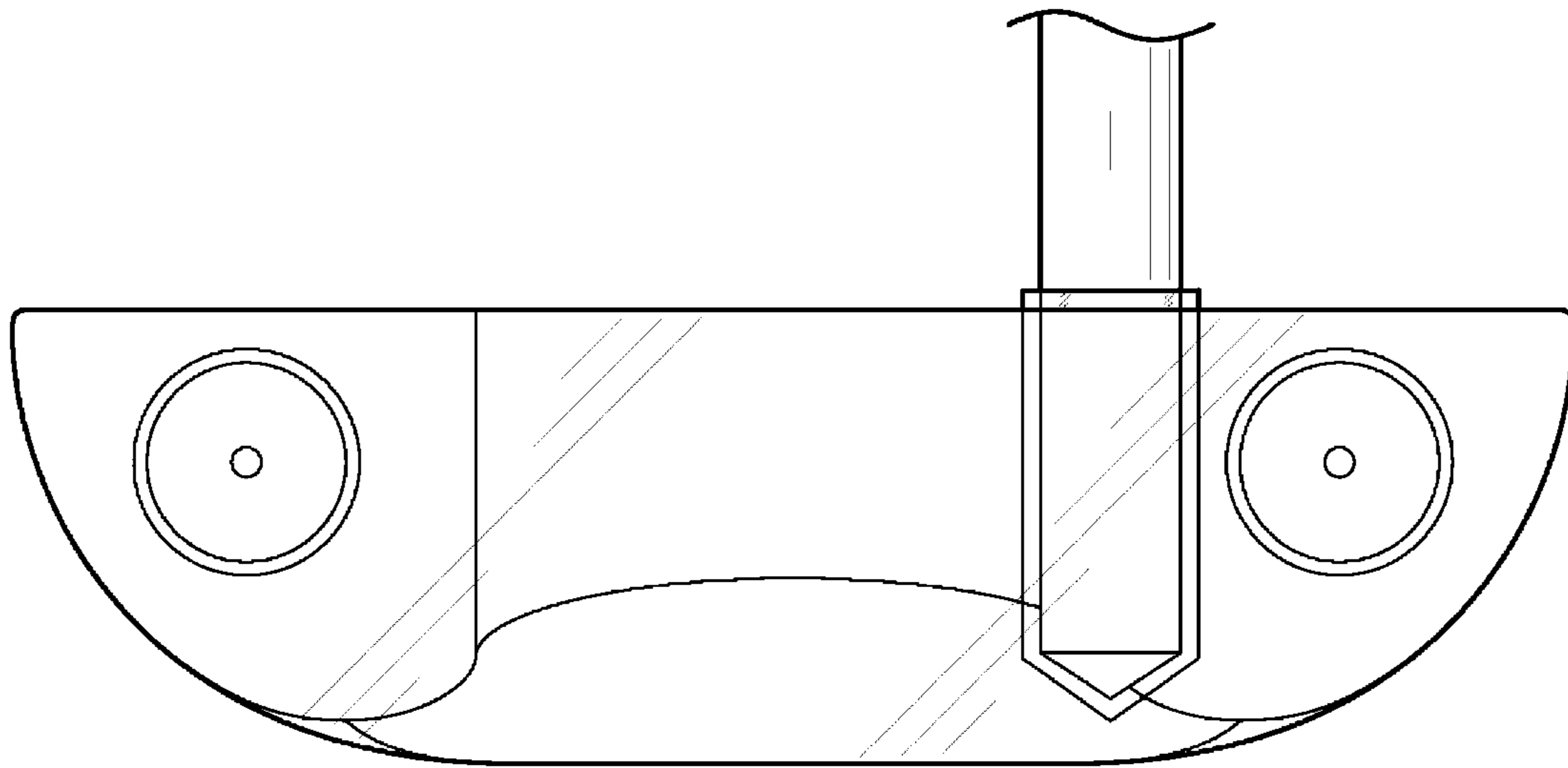


FIG. 2

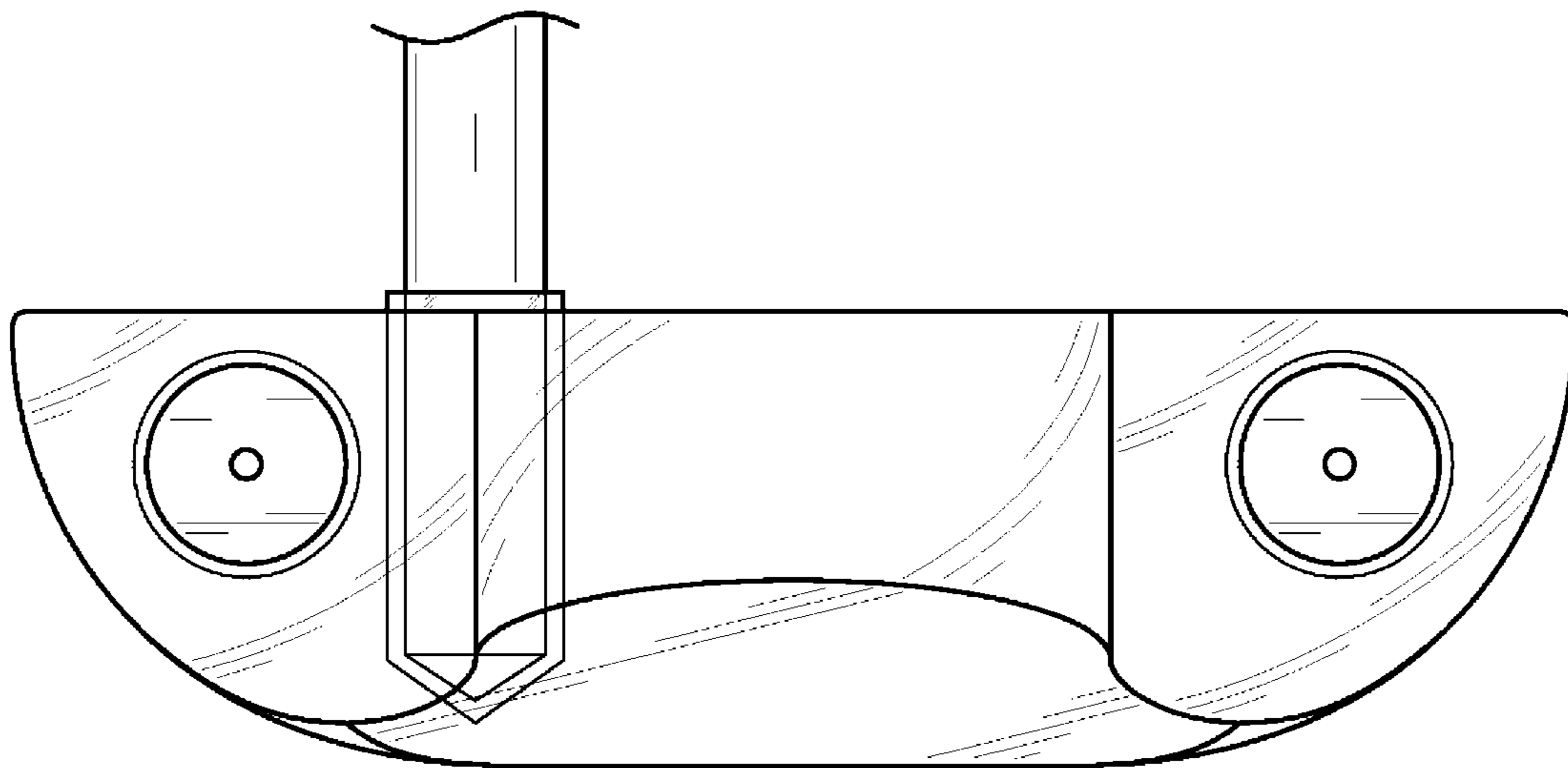


FIG. 3

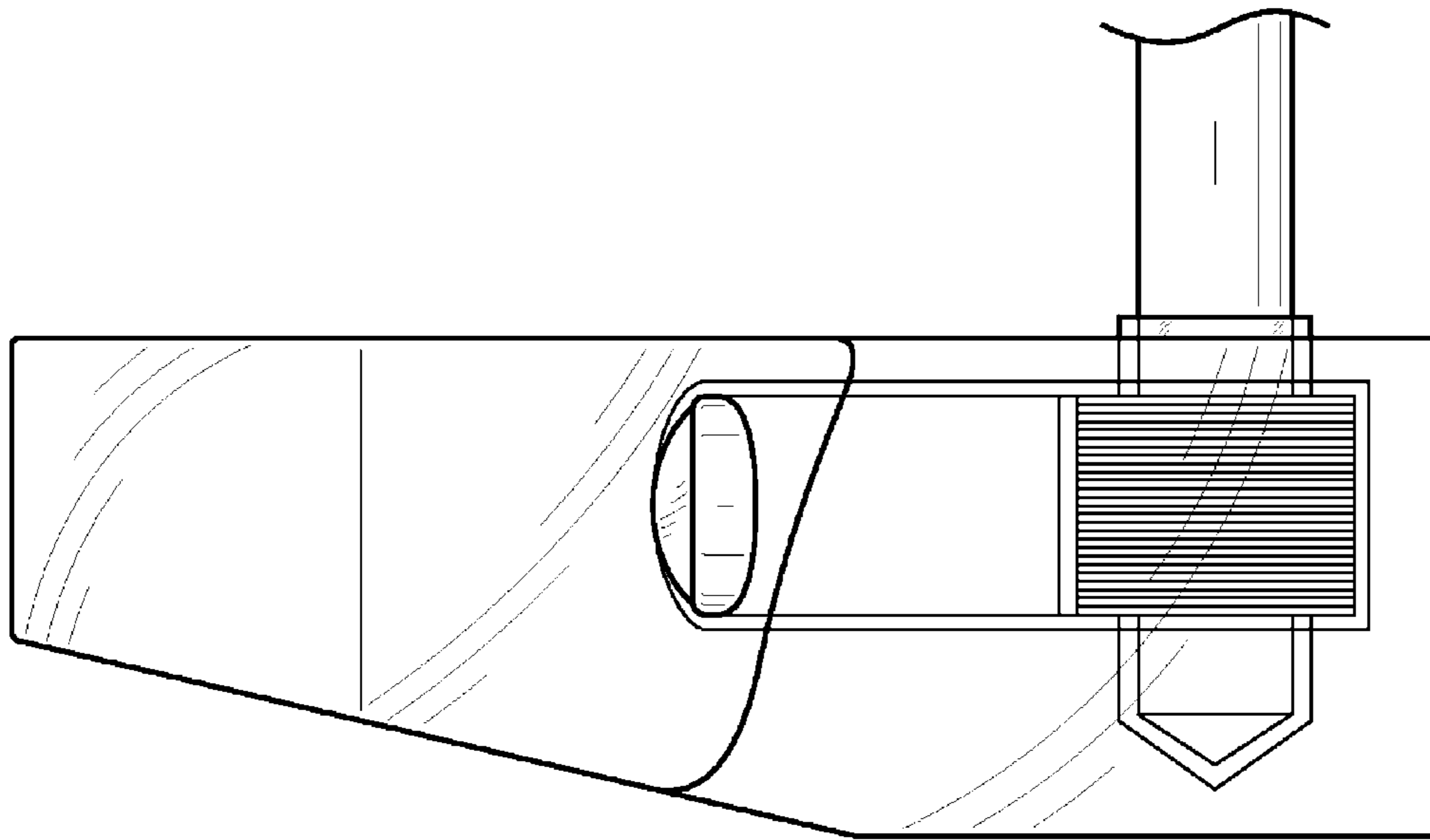


FIG. 4

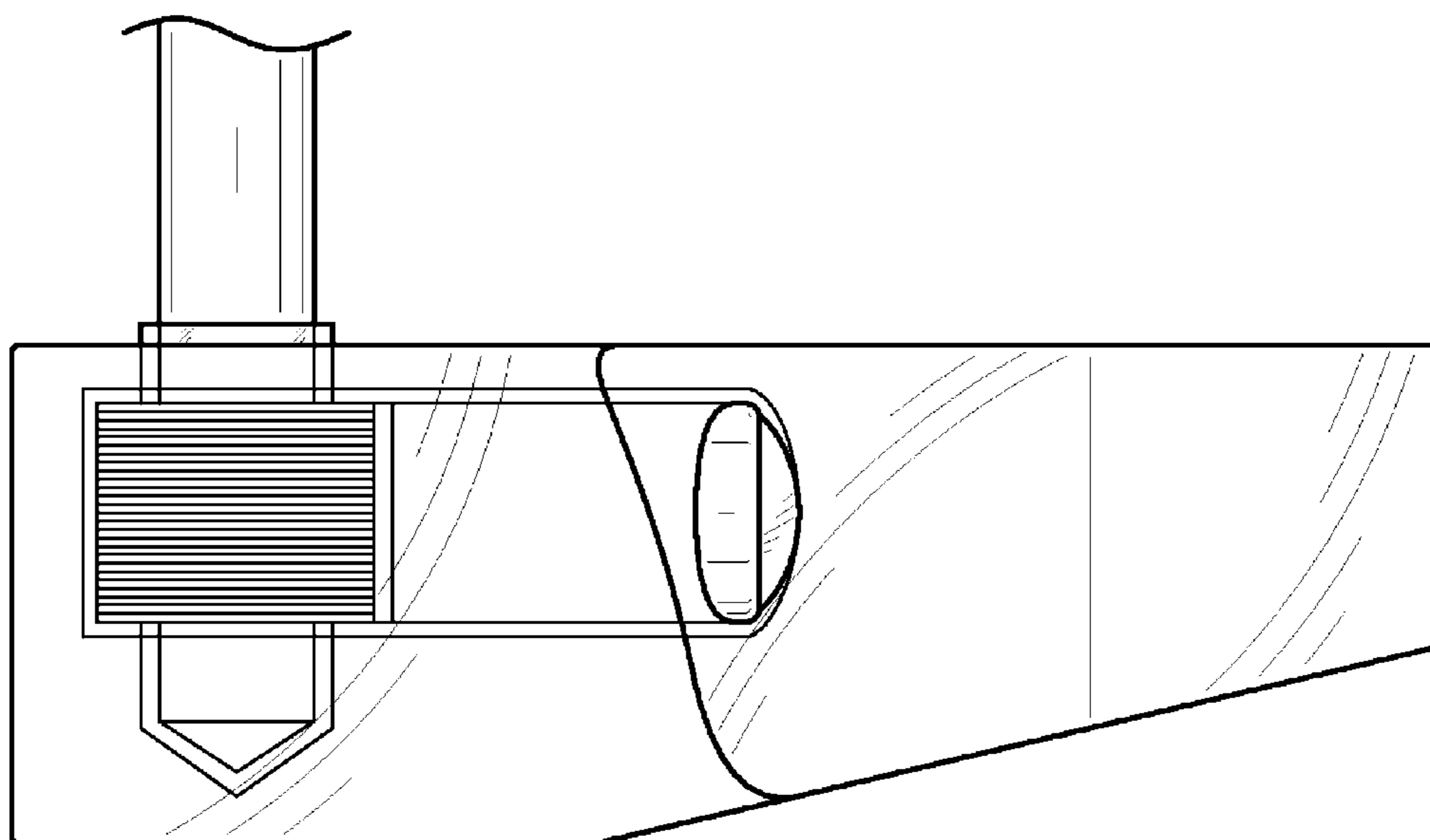


FIG. 5

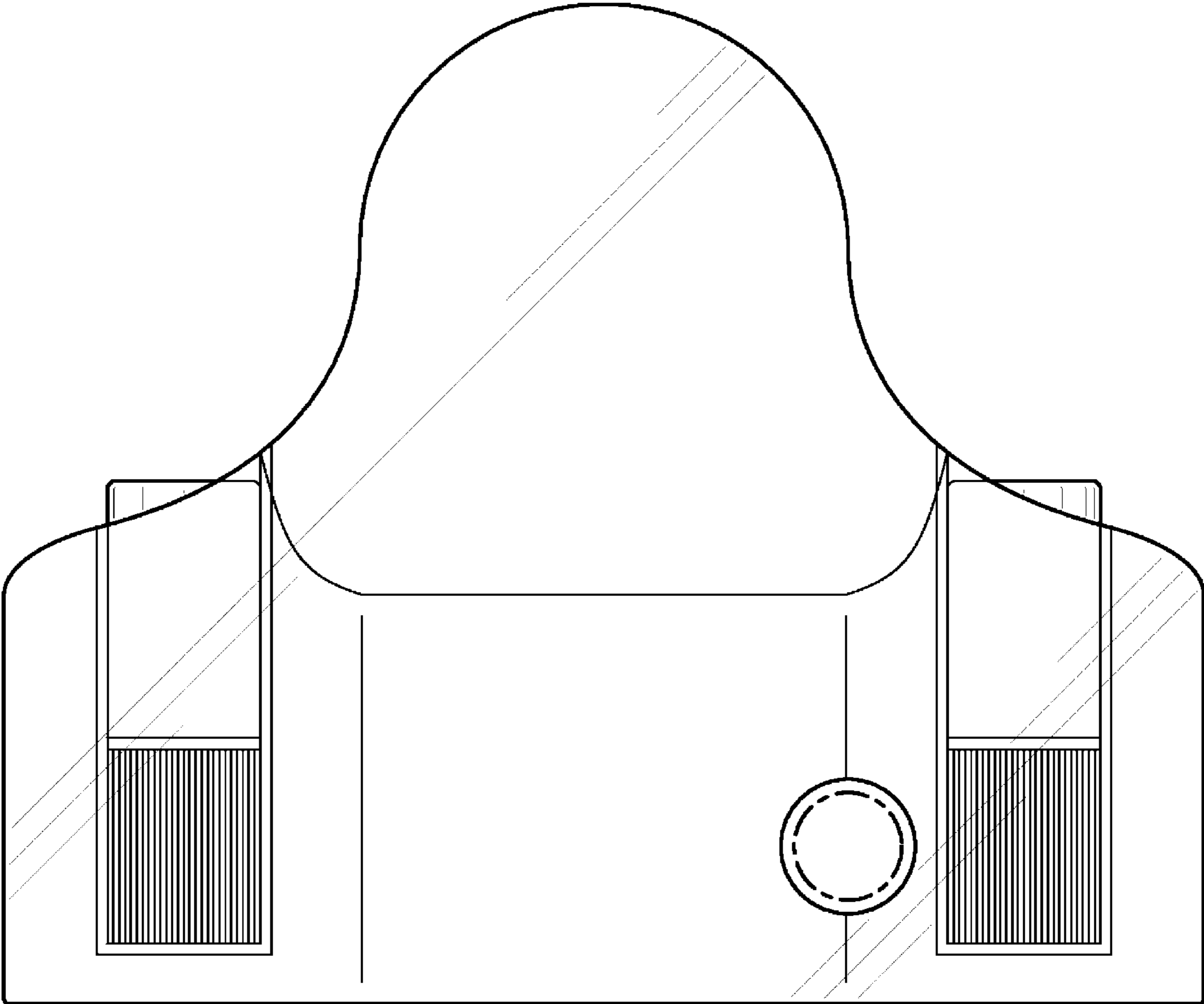


FIG. 6

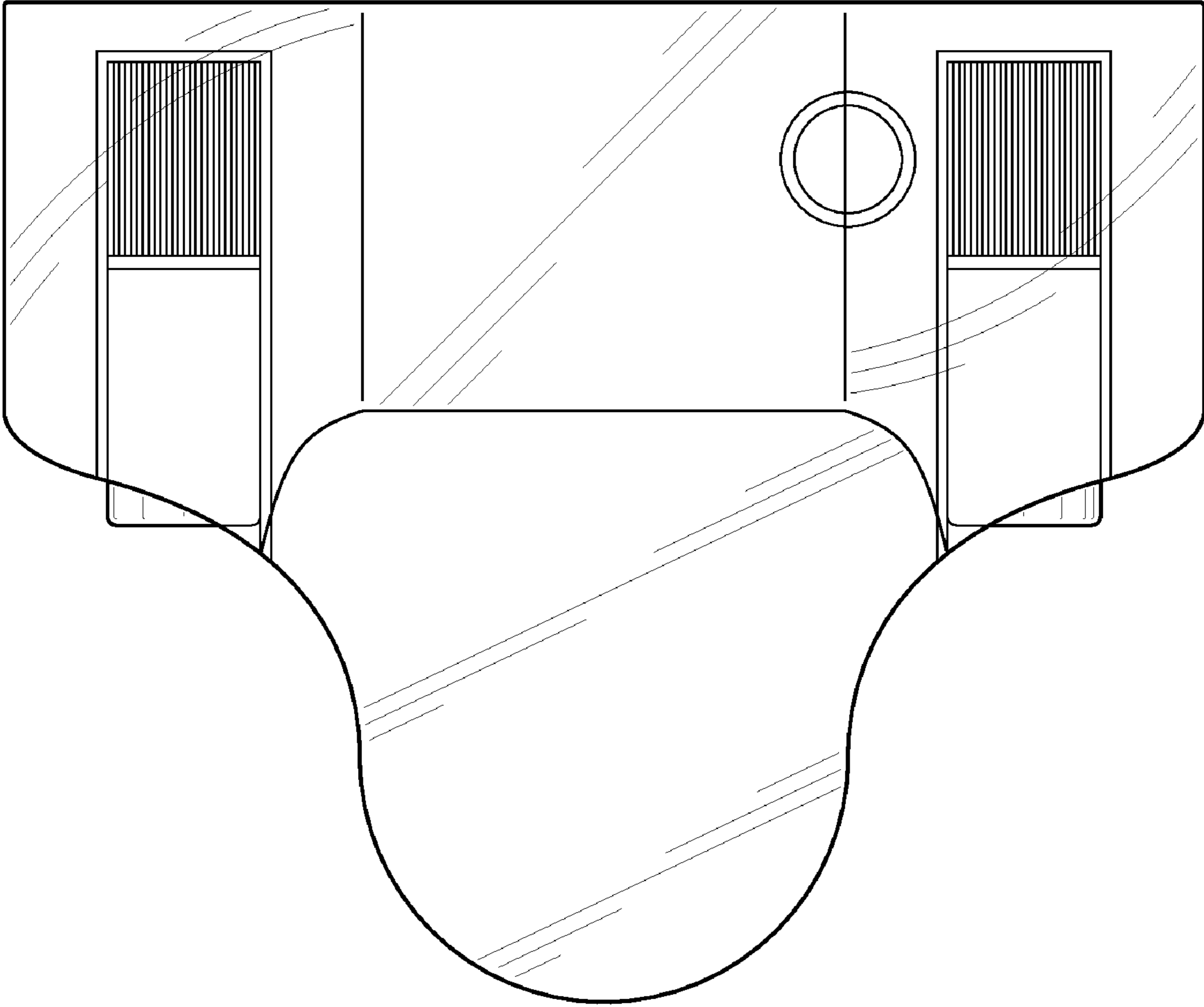


FIG. 7