



US00D636826S

(12) **United States Design Patent**  
**Chan**

(10) **Patent No.:** **US D636,826 S**

(45) **Date of Patent:** **\*\* Apr. 26, 2011**

(54) **BODY EXERCISER**

(76) Inventor: **Eddie Man-Ying Chan**, Kowloon (CN)

(\*\*) Term: **14 Years**

(21) Appl. No.: **29/367,656**

(22) Filed: **Aug. 11, 2010**

(51) **LOC (9) Cl.** ..... **21-02**

(52) **U.S. Cl.** ..... **D21/663; D21/665**

(58) **Field of Classification Search** ..... D21/662,  
D21/663-669, 694, 697; 482/51, 53, 57,  
482/58, 60, 62-65, 130, 146

See application file for complete search history.

(56) **References Cited**

**U.S. PATENT DOCUMENTS**

D209,065 S *	10/1967	Weiss	.....	D21/665
D219,663 S *	1/1971	Thompson	.....	D21/663
D233,160 S *	10/1974	Jouk	.....	D21/663
D281,710 S *	12/1985	Kirby	.....	D21/663
D297,153 S *	8/1988	Smith	.....	D21/663
5,630,774 A *	5/1997	Geschwender	.....	482/57

D410,712 S *	6/1999	Giger et al.	.....	D21/665
D429,508 S *	8/2000	Clive	.....	D21/663
2005/0282687 A1 *	12/2005	Kazemi	.....	482/57
2008/0300113 A1 *	12/2008	Battiston	.....	482/51

\* cited by examiner

*Primary Examiner* — Susan E Krakower

(74) *Attorney, Agent, or Firm* — Alix, Yale & Ristas, LLP

(57) **CLAIM**

The ornamental design for a body exerciser, as shown and described.

**DESCRIPTION**

FIG. 1 is a front elevational view of a body exerciser showing my new design;

FIG. 2 is a rear elevational view thereof;

FIG. 3 is a left side elevational view thereof;

FIG. 4 is a right side elevational view thereof.

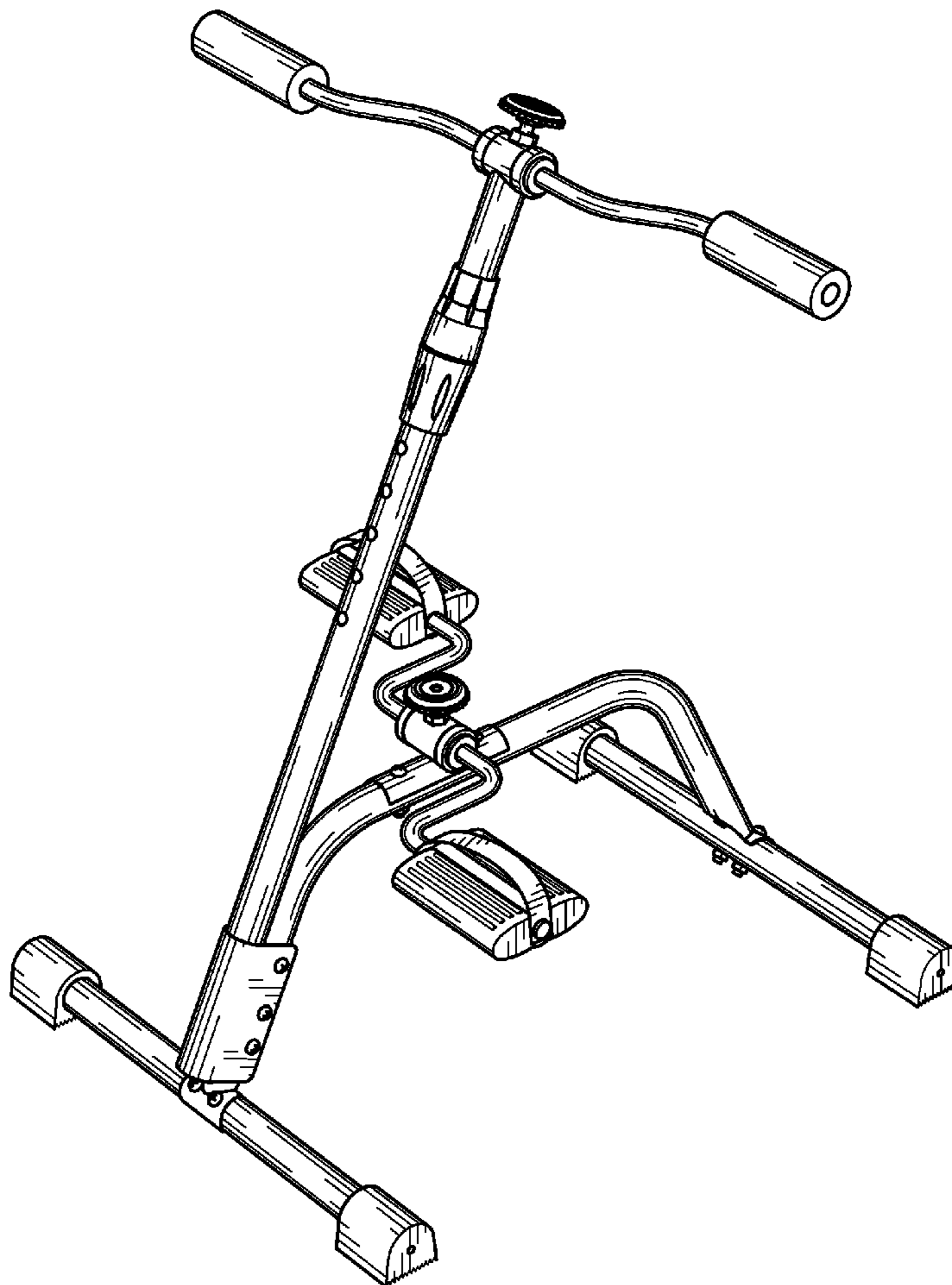
FIG. 5 is a top plan view thereof;

FIG. 6 is a bottom plan view thereof;

FIG. 7 is a perspective view from rear thereof; and,

FIG. 8 is a perspective view from front thereof.

**1 Claim, 8 Drawing Sheets**



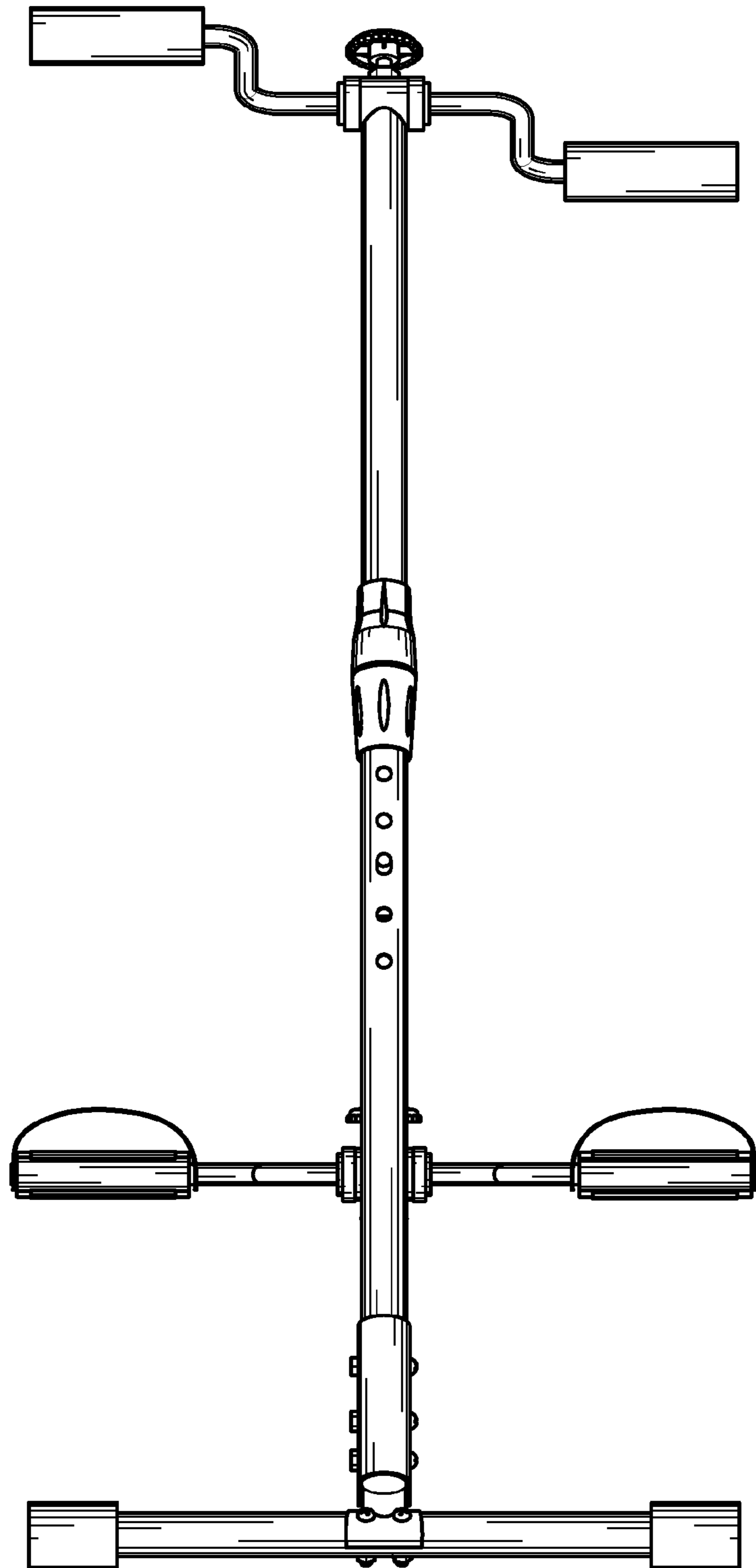


FIG.1

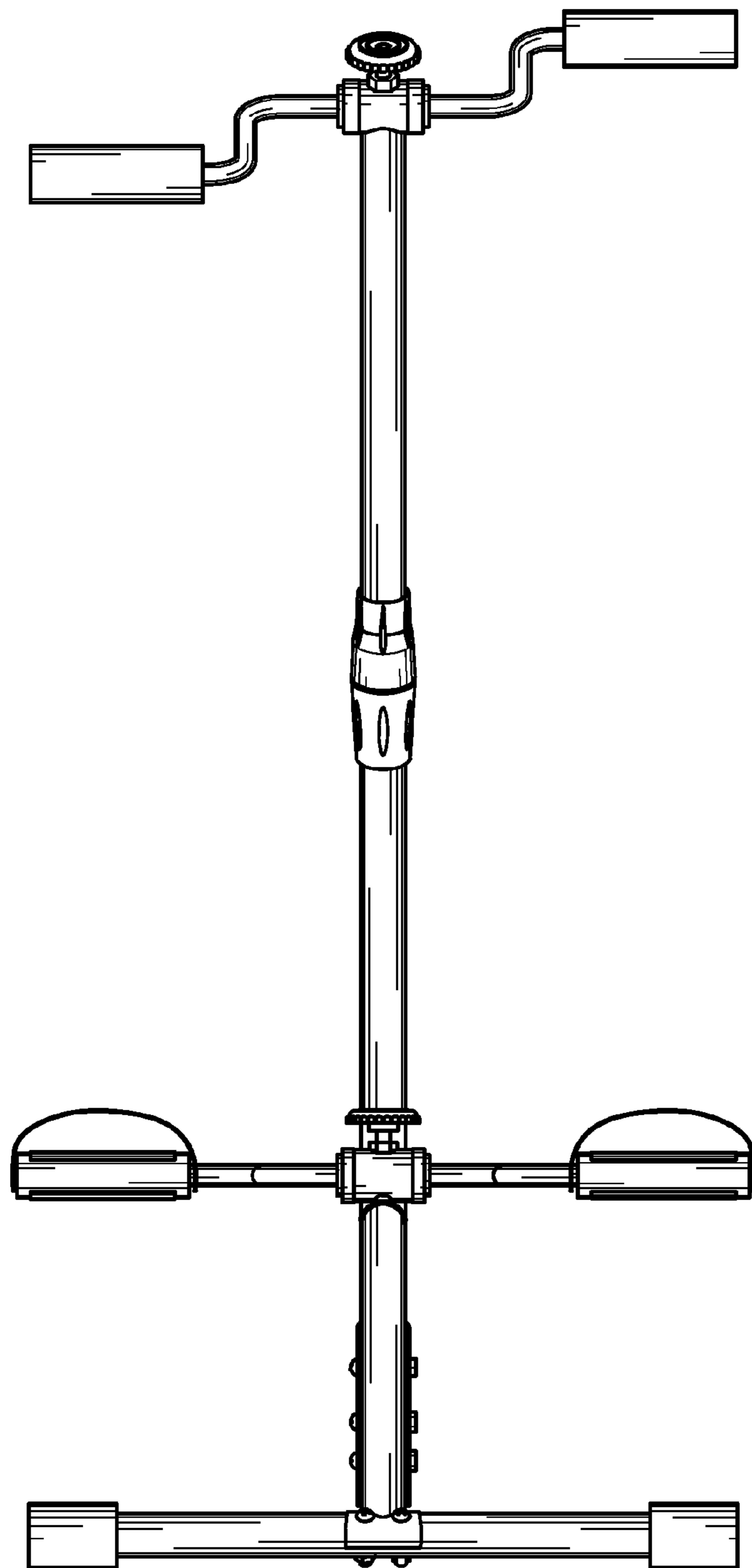


FIG.2

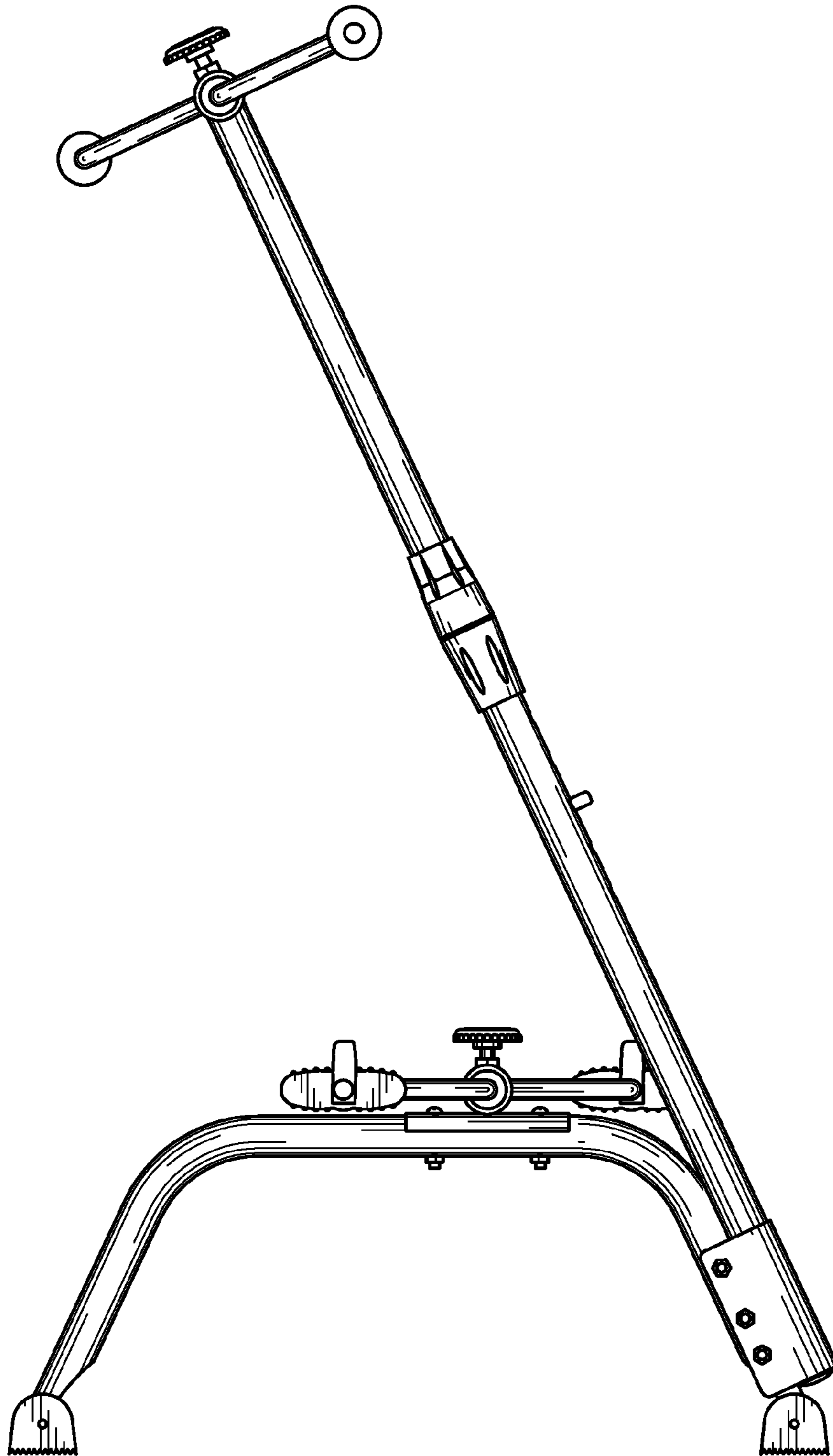


FIG.3

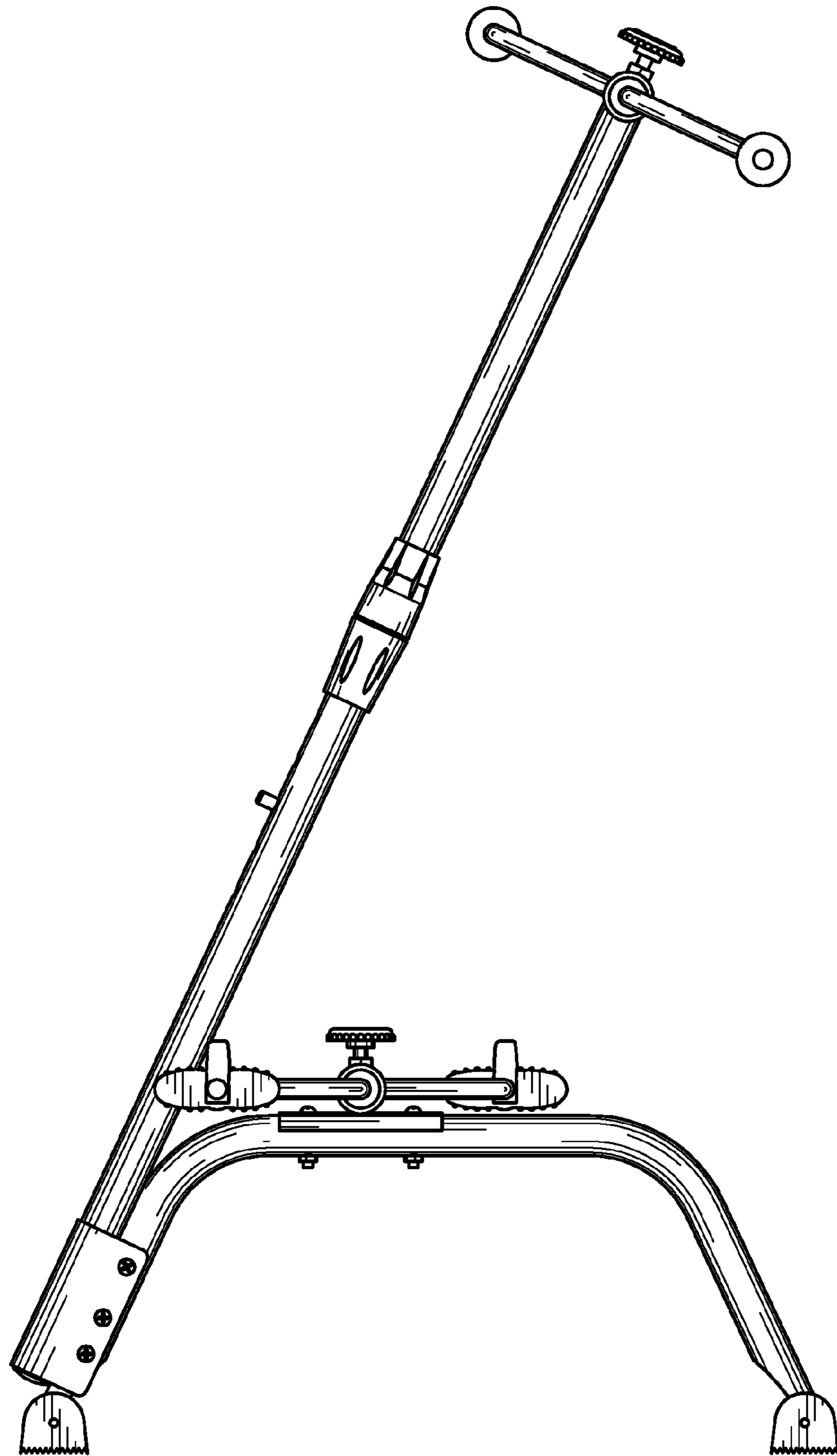


FIG.4

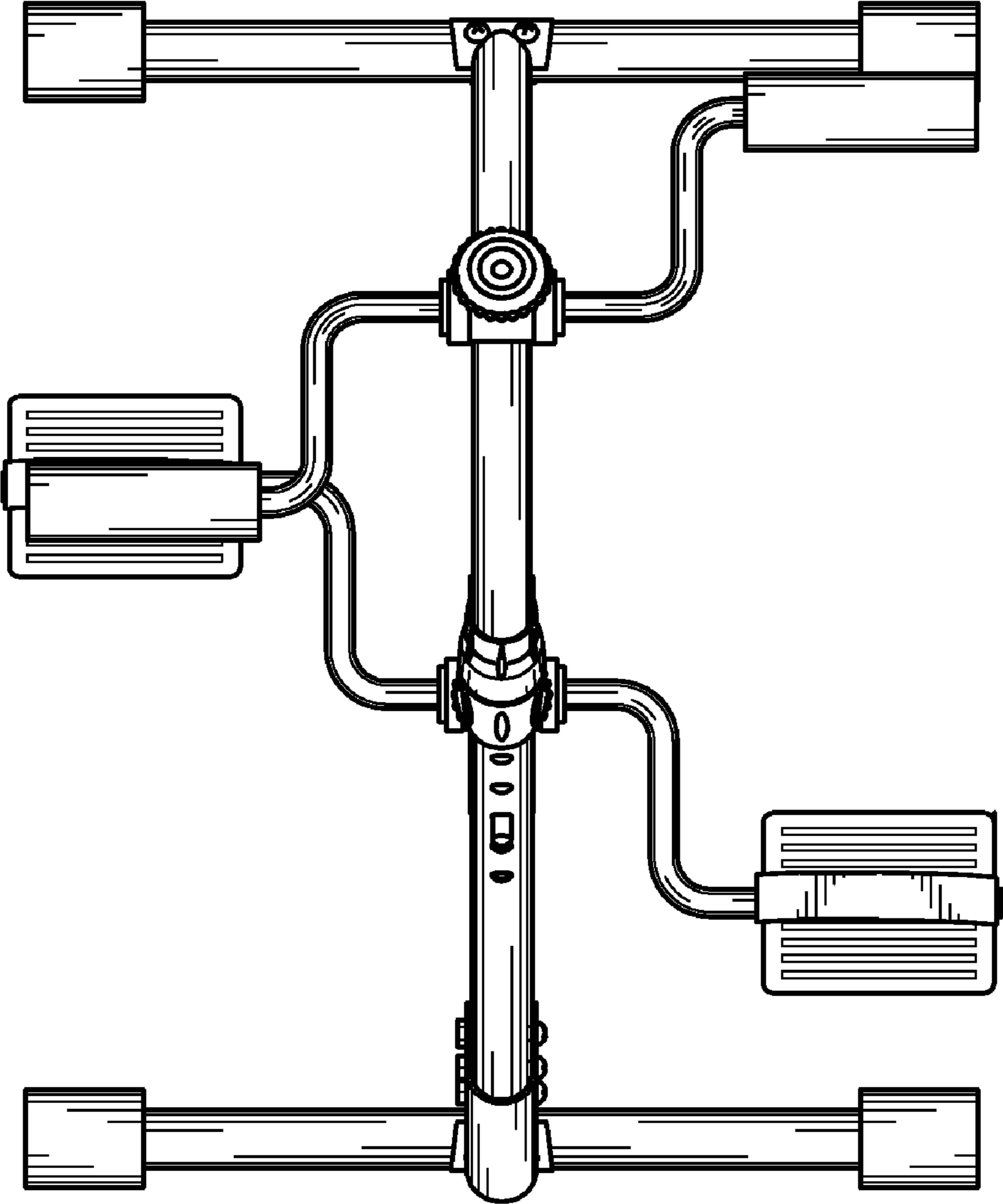


FIG.5

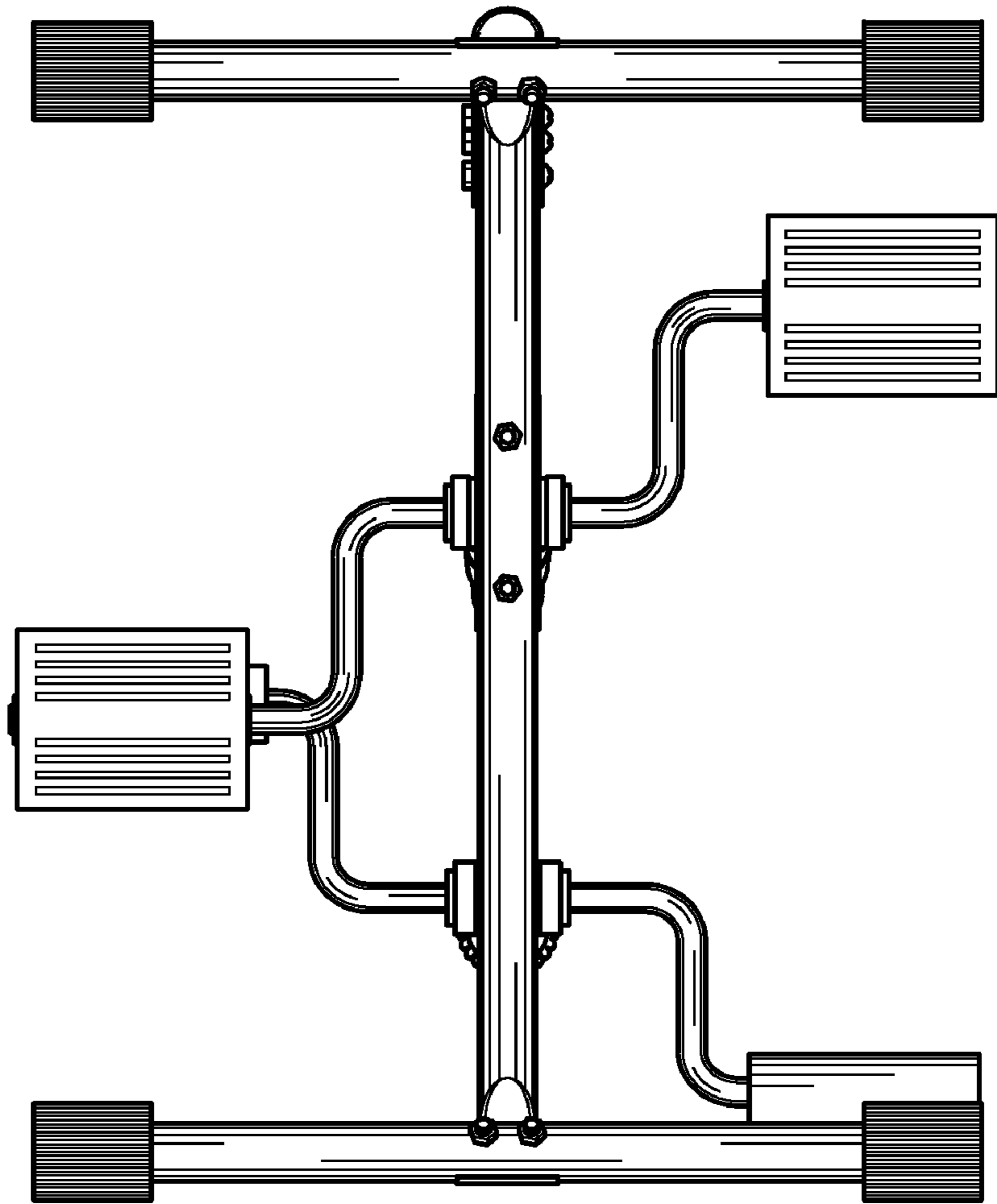


FIG.6

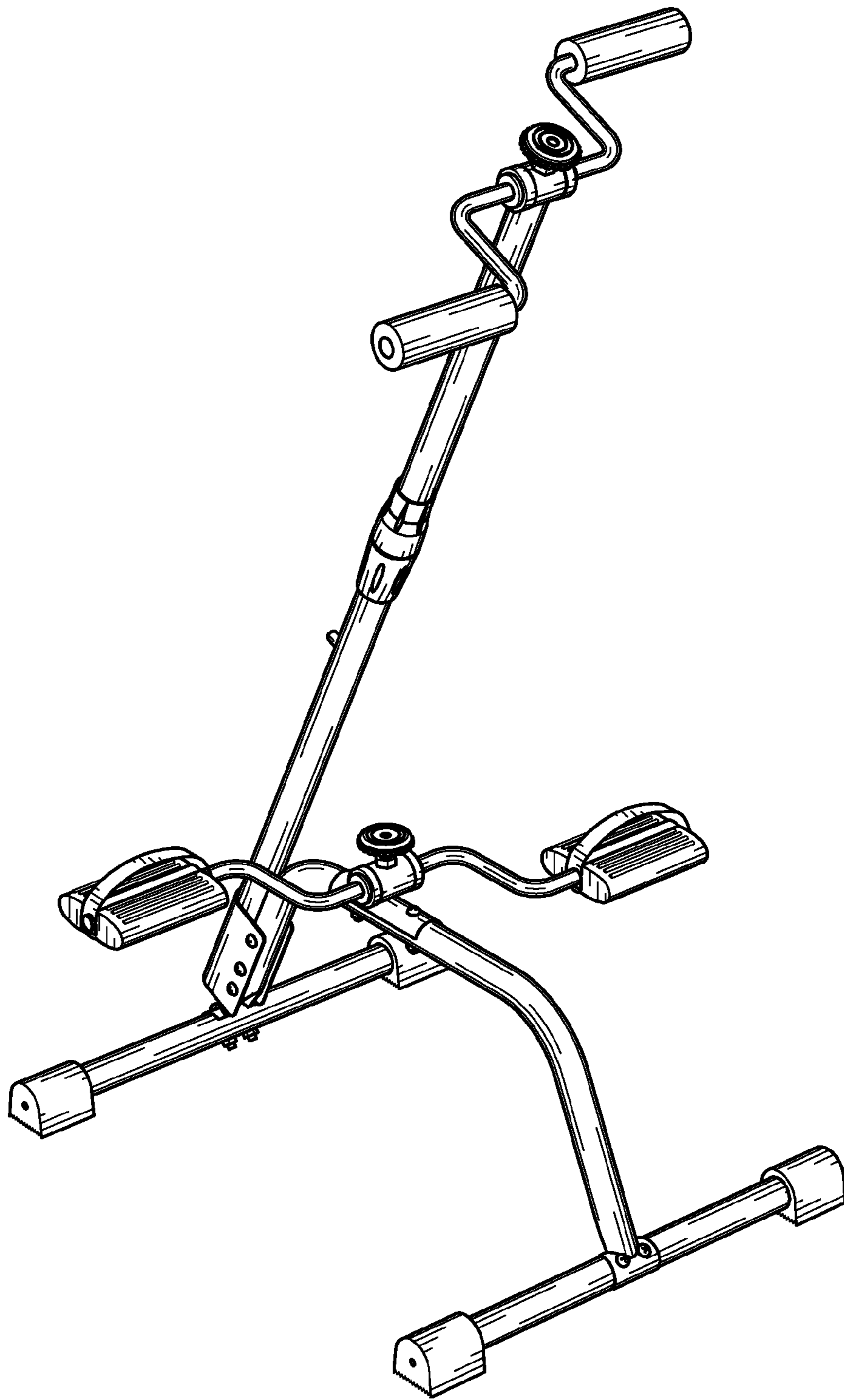


FIG.7



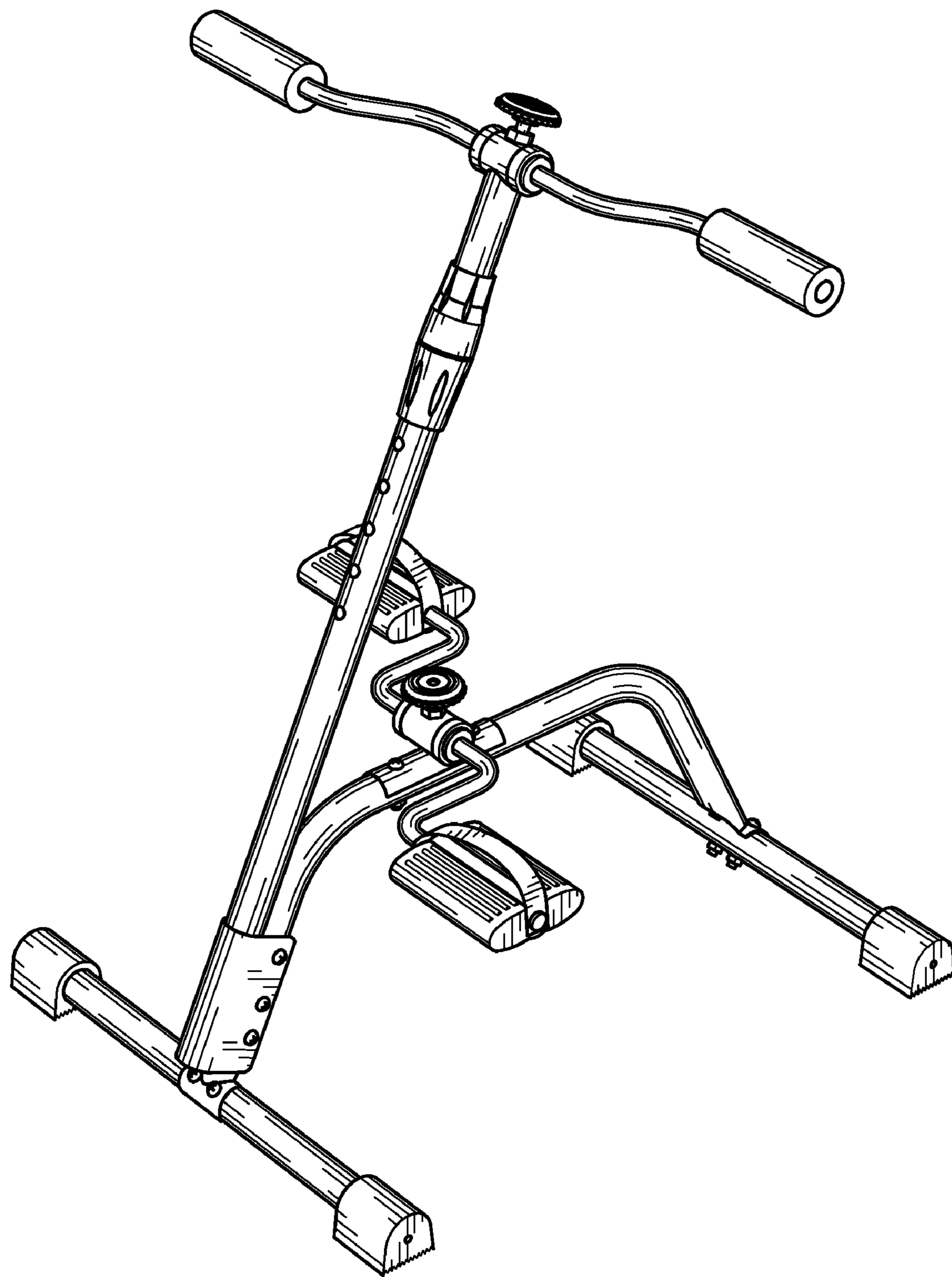


FIG.8