



US00D636824S

(12) **United States Design Patent**
Wensel et al.

(10) **Patent No.:** **US D636,824 S**

(45) **Date of Patent:** **** Apr. 26, 2011**

(54) **MOBILE ROBOT**

446/176, 424-427, 429, 433, 435, 470, 475;
89/36.08; 124/67

(75) Inventors: **Charles Wensel**, Sterling Heights, MI (US); **Parker Francis**, Sterling Heights, MI (US); **Paul D. Copioli**, Sterling Heights, MI (US); **John Vielkind-Neun**, Sterling Heights, MI (US); **Amanda Urban**, Sterling Heights, MI (US); **Kyle Roeber**, Sterling Heights, MI (US); **Dan Rodak**, Sterling Heights, MI (US); **Chelsea Fournier**, Sterling Heights, MI (US); **Amanda Duffy**, Sterling Heights, MI (US); **Joe Chmielewski**, Sterling Heights, MI (US); **Breanna Meyer**, Sterling Heights, MI (US); **Kayla Wizinsky**, Sterling Heights, MI (US); **Ashlee Lambert**, Sterling Heights, MI (US); **Anthony Kazyaka**, Sterling Heights, MI (US); **Michael Beem**, Sterling Heights, MI (US); **Donald S. Bartlett**, Sterling Heights, MI (US)

See application file for complete search history.

(56) **References Cited**

U.S. PATENT DOCUMENTS

D192,088	S	*	1/1962	Alvaney	D21/539
D236,642	S	*	9/1975	Fahrendorff	D21/537
D258,223	S	*	2/1981	Itakura	D21/539
D272,641	S	*	2/1984	Boudreaux	D21/539
D279,806	S	*	7/1985	Stern et al.	D21/557
D314,388	S	*	2/1991	Brewer et al.	D12/1
D329,885	S	*	9/1992	Maarschalkerweerd et al.	D21/539
D332,122	S	*	12/1992	Hetman et al.	D21/539
D341,633	S	*	11/1993	Krebs	D21/546
D352,318	S	*	11/1994	Matthews	D21/433
D457,201	S	*	5/2002	Glenn et al.	D21/533

* cited by examiner

Primary Examiner — Cynthia M Chin

(74) *Attorney, Agent, or Firm* — Dobrusin & Thennisch PC

(73) Assignees: **Thunderchickens Robotics Club Inc.**, Sterling Heights, MI (US); **FRC Team 148 - Robowranglers**, Greenville, TX (US)

(57) **CLAIM**

The ornamental design for a mobile robot, as shown and described.

(**) Term: **14 Years**

DESCRIPTION

(21) Appl. No.: **29/359,532**

FIG. 1 is a front perspective view of a mobile robot showing our new design;
FIG. 2 is rear perspective view thereof;
FIG. 3 is a right elevational view thereof;
FIG. 4 is a front elevational view thereof; and,
FIG. 5 is a top plan view thereof.

(22) Filed: **Apr. 13, 2010**

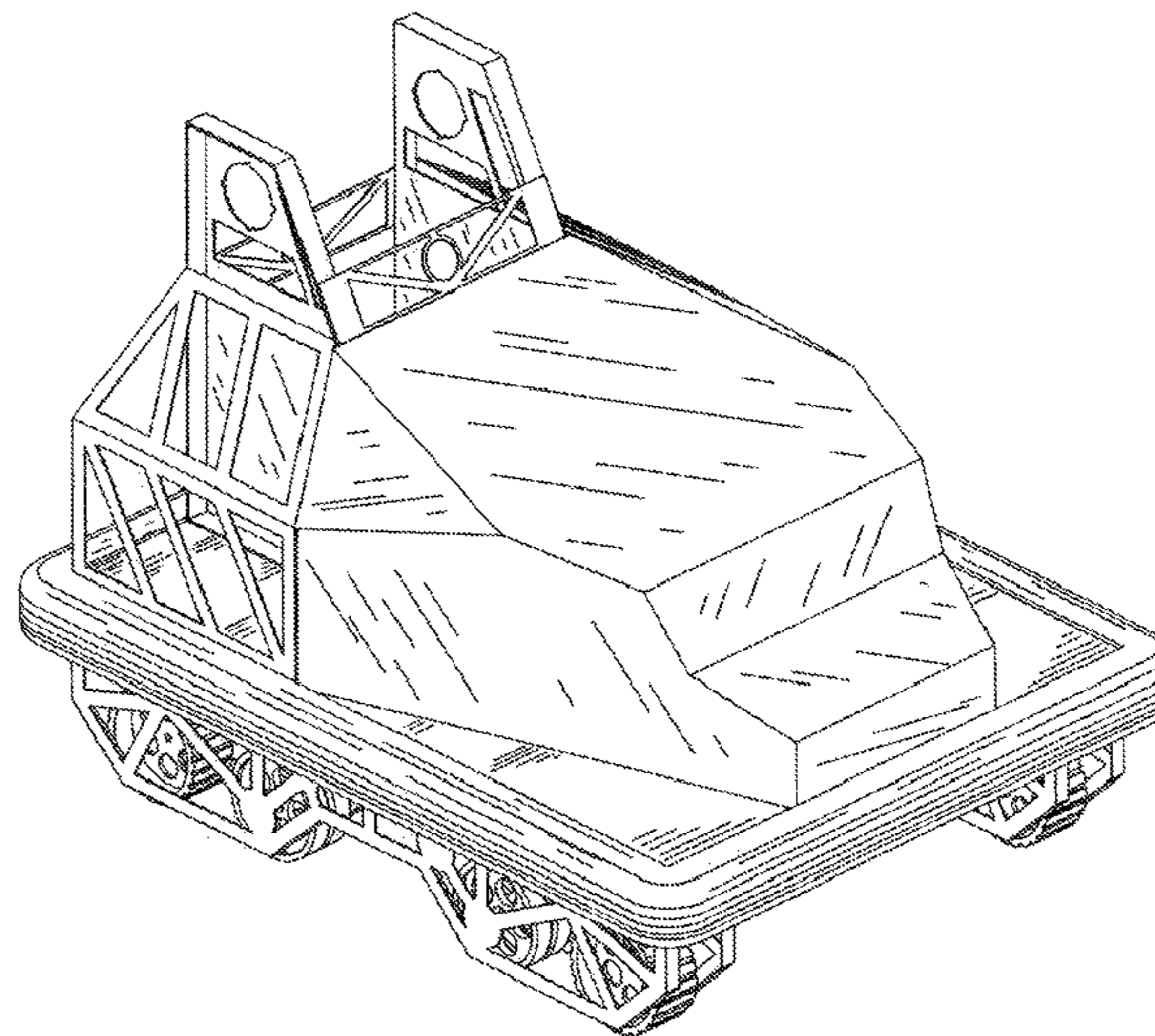
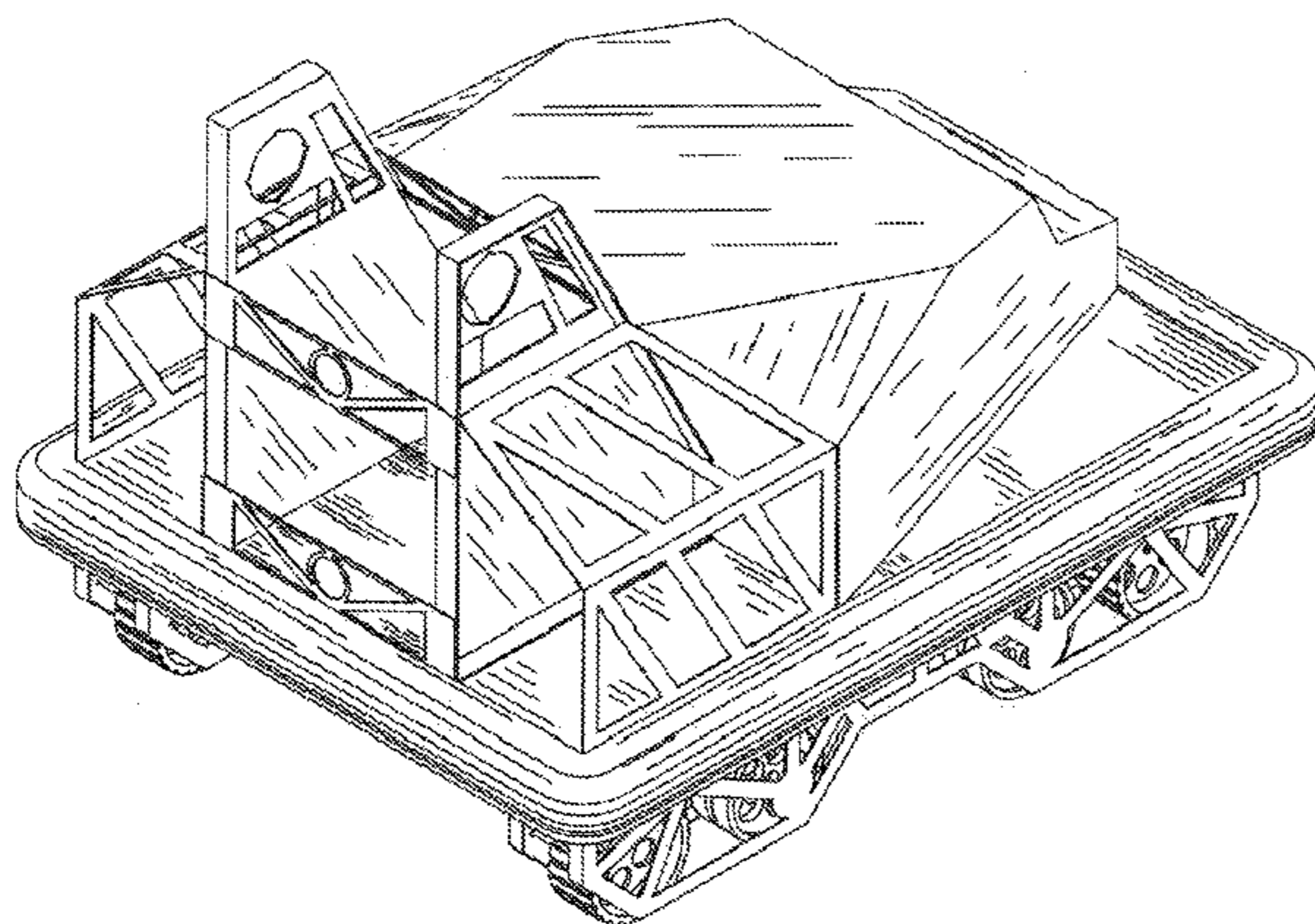
Bottom view portions of the mobile robot and any other portions not shown form no part of the claimed design.

(51) **LOC (9) Cl.** **21-01**

(52) **U.S. Cl.** **D21/539**

(58) **Field of Classification Search** D21/533,
D21/537, 539, 556, 557, 431; D12/1, 3,
D12/12, 14; D15/10-12, 22-25; 446/89,

1 Claim, 5 Drawing Sheets



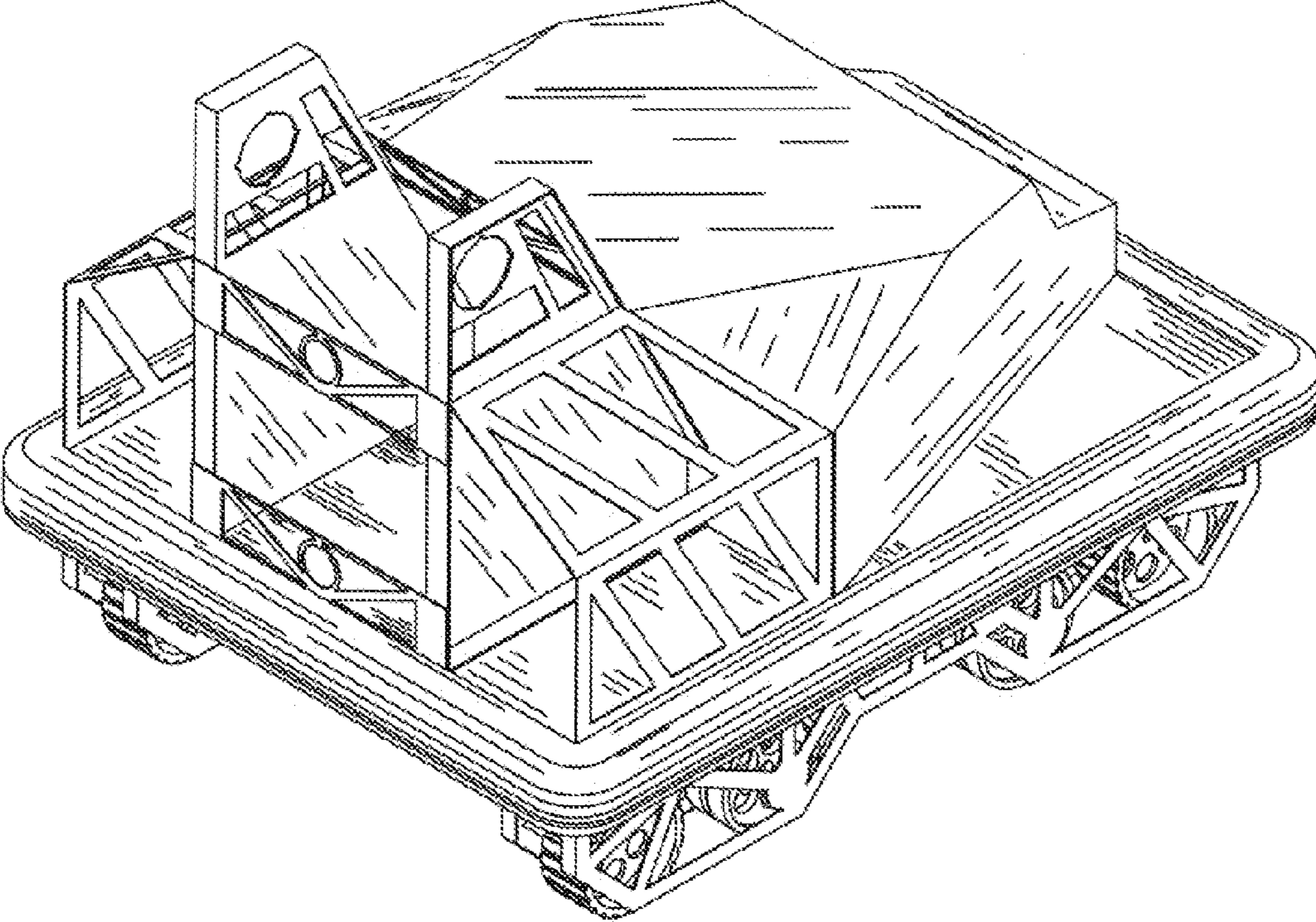


Fig. 1

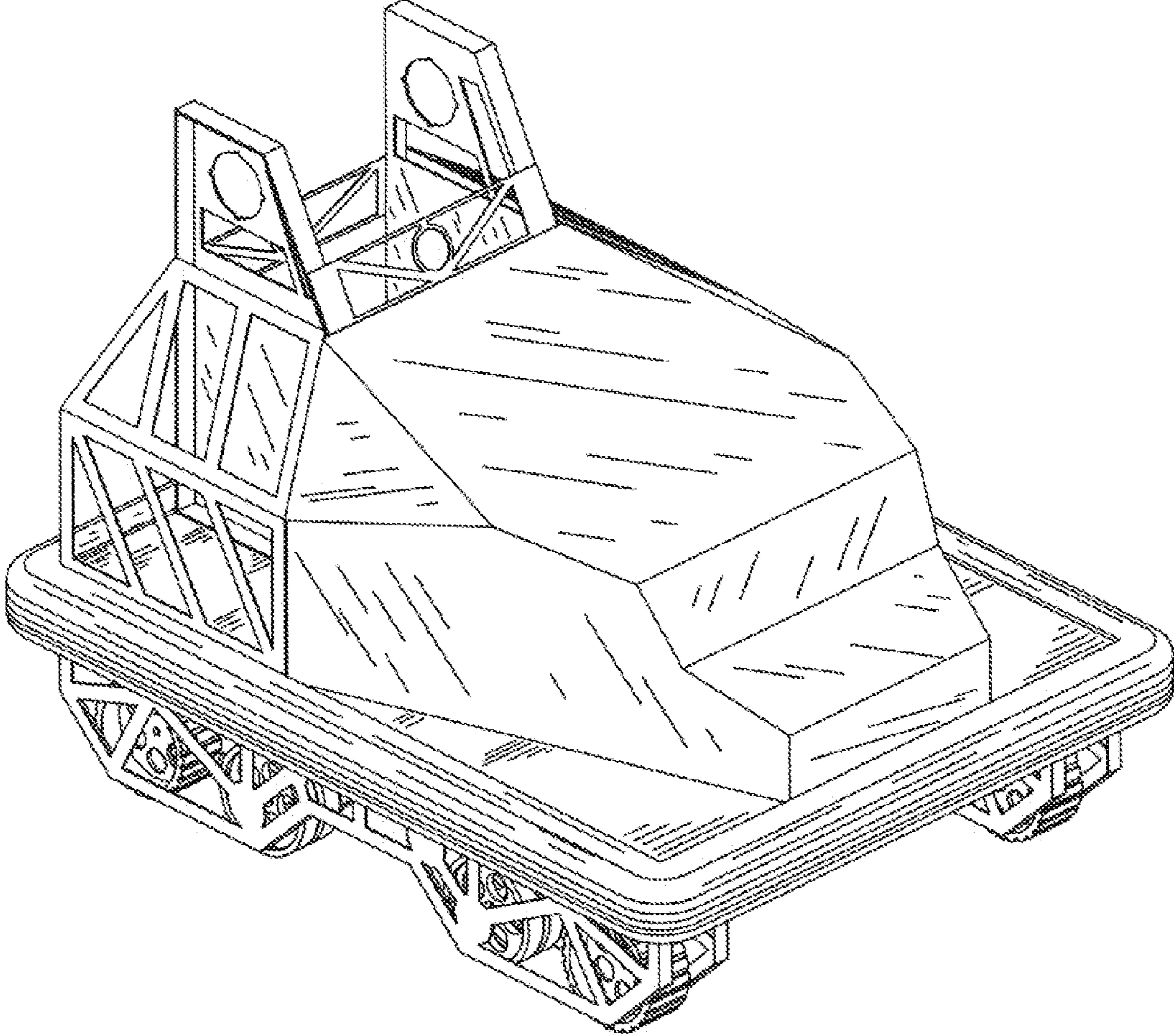


Fig. 2

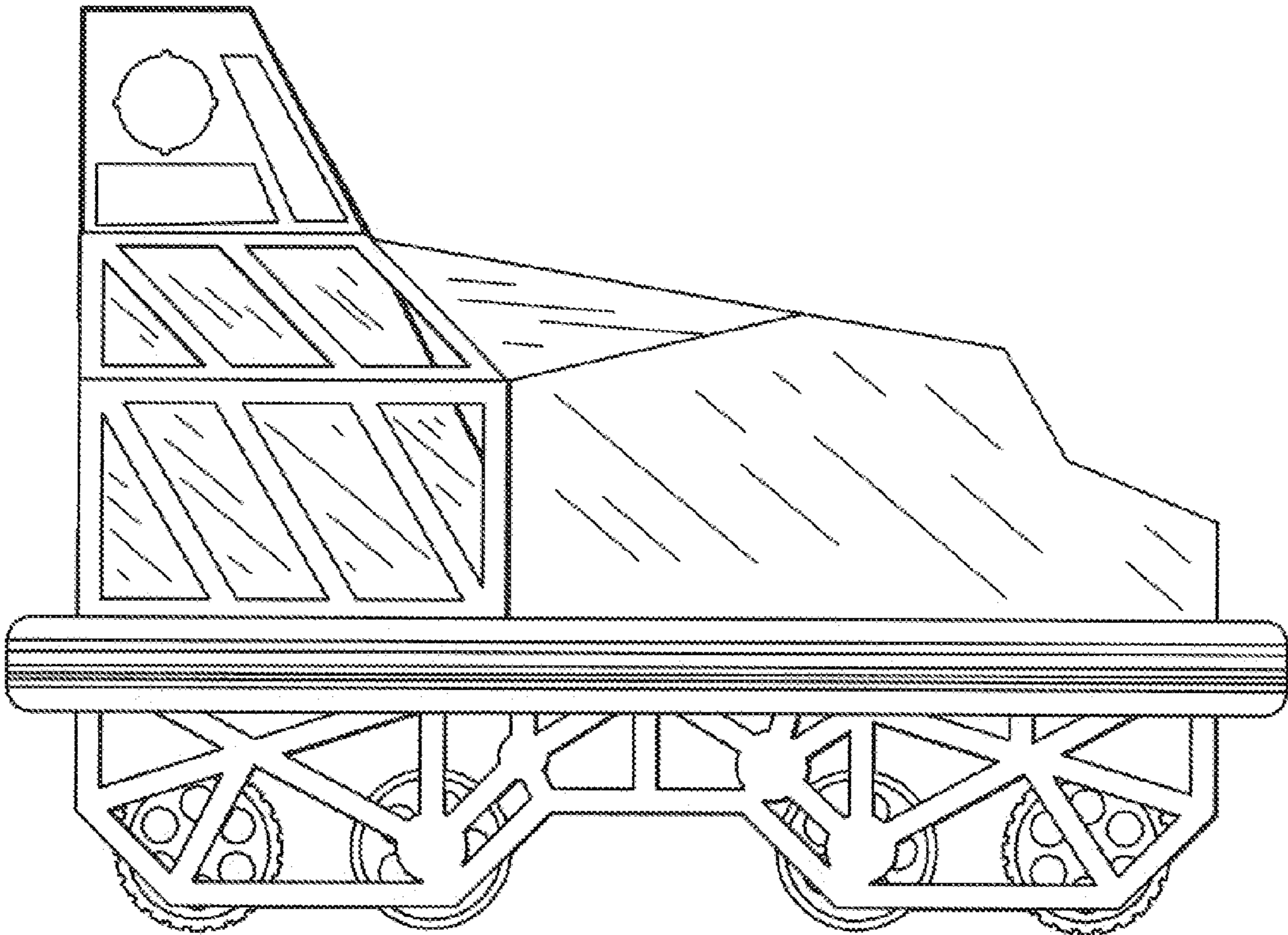


Fig. 3

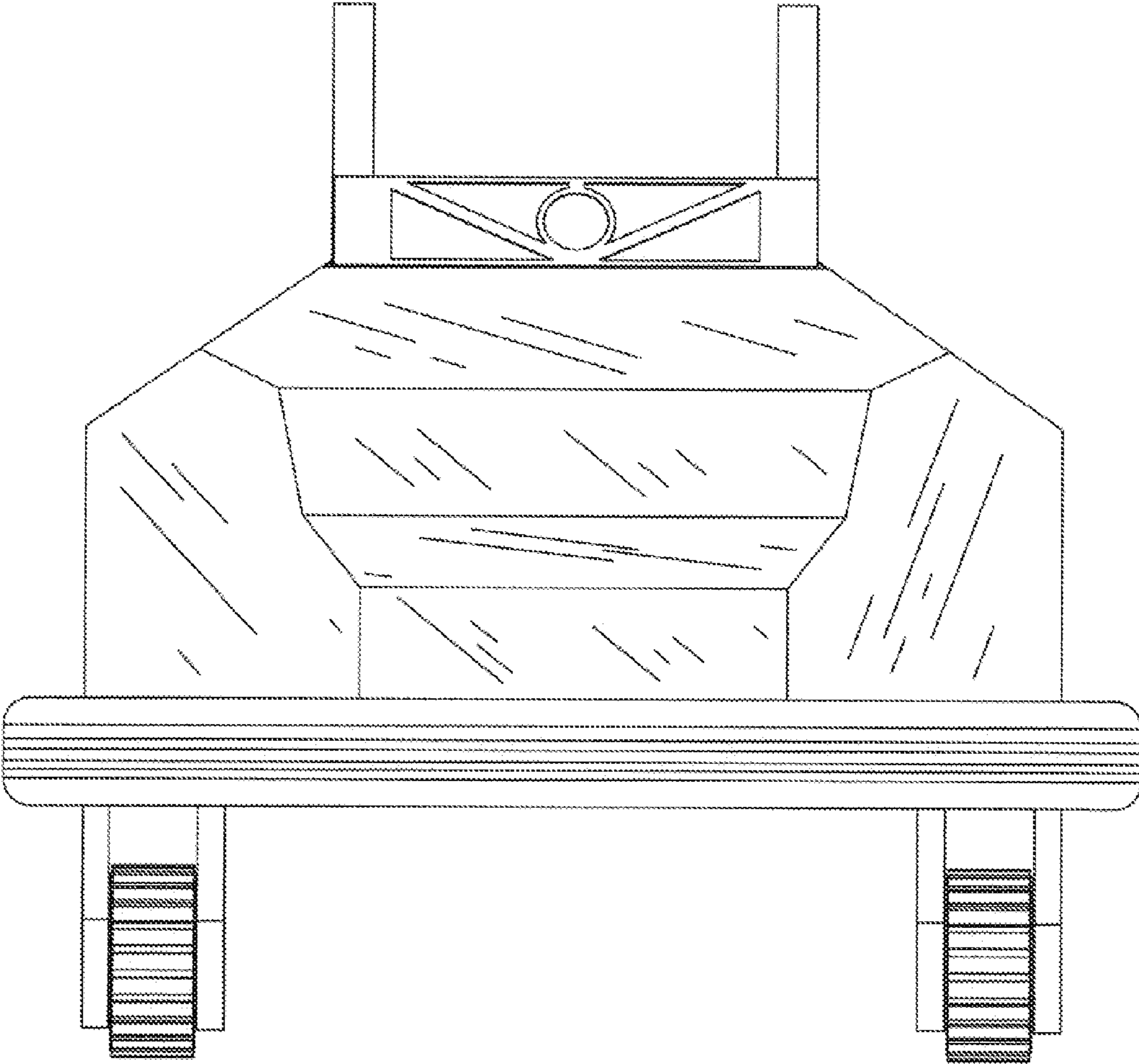


Fig.4

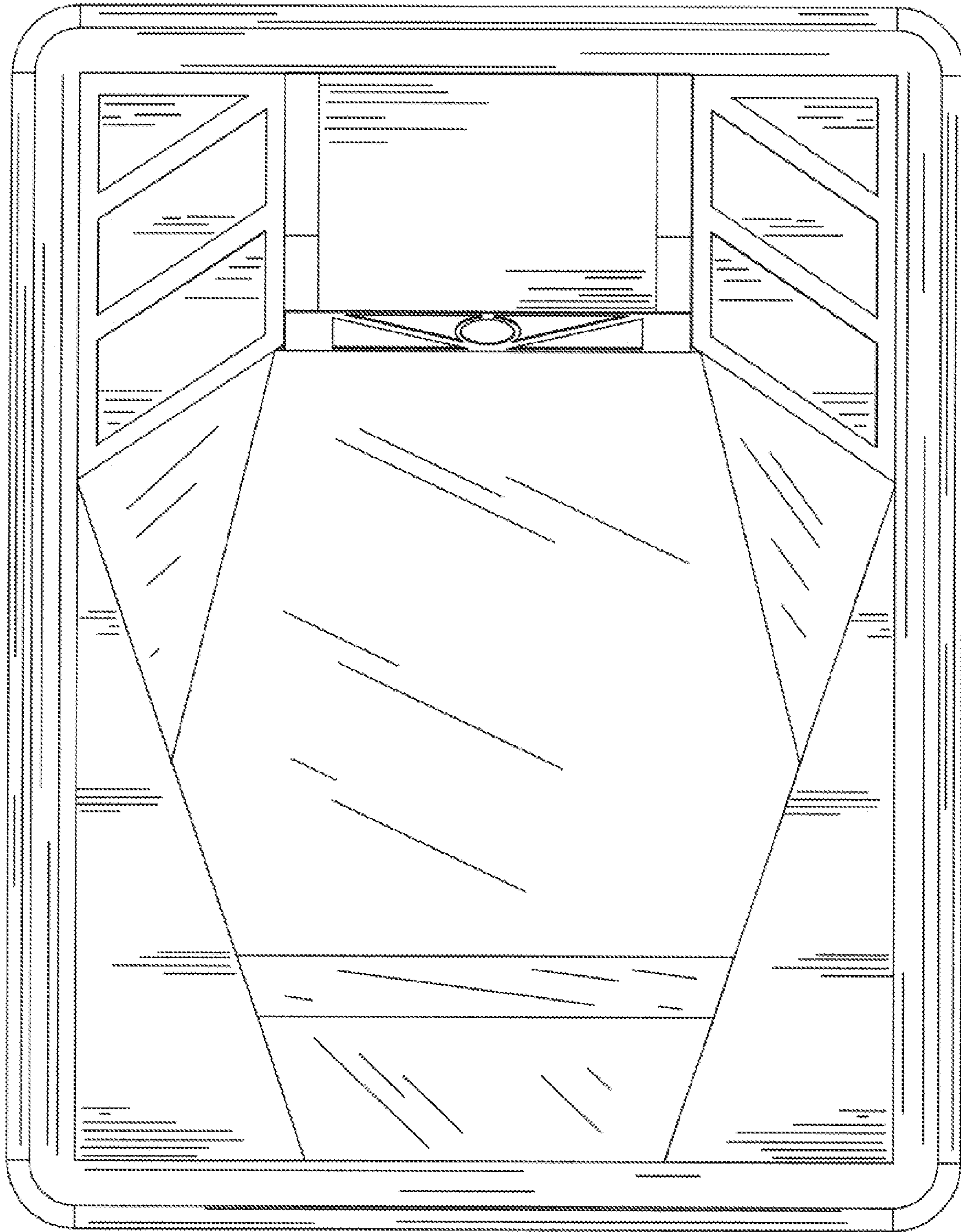


Fig. 5