



US00D636819S

(12) **United States Design Patent**
Walker

(10) **Patent No.:** **US D636,819 S**
(45) **Date of Patent:** **** Apr. 26, 2011**

(54) **IDENTIFICATION TAG**

(76) Inventor: **Karen Elisabeth Walker**, Toronto (CA)

(**) Term: **14 Years**

(21) Appl. No.: **29/369,106**

(22) Filed: **Sep. 2, 2010**

(51) **LOC (9) Cl.** **19-08**

(52) **U.S. Cl.** **D20/28**

(58) **Field of Classification Search** D20/10,
D20/11, 22-28, 43, 99; 40/5, 124.01, 299.01,
40/306, 316, 446, 625-629, 642.02, 649,
40/651, 655, 660, 661, 661.01, 661.02, 661.05-661.09,
40/661.11, 662, 672; D3/201; D10/104,
D10/106; D11/80; 63/19; 206/8, 38
See application file for complete search history.

(56) **References Cited**

U.S. PATENT DOCUMENTS

767,836	A *	8/1904	Rice	63/19
1,246,369	A *	11/1917	Winans	40/661.05
D216,243	S *	12/1969	Walklet	D20/10
D342,098	S *	12/1993	Wolff	D20/27
5,414,948	A *	5/1995	Kudo	40/651
D365,371	S *	12/1995	Dunlap	D20/28
D411,953	S *	7/1999	Wolff	D3/201
6,155,409	A *	12/2000	Hettinger	206/38
D512,744	S *	12/2005	Koroluk	D20/28
D516,126	S	2/2006	Schantz	
D574,893	S *	8/2008	Bucolo et al.	D20/10
7,490,716	B2 *	2/2009	Pleven	
D616,032	S *	5/2010	Maraia	D20/28
2002/0157295	A1 *	10/2002	Bush	40/661.05

* cited by examiner

Primary Examiner — Mary Ann Calabrese

(74) *Attorney, Agent, or Firm* — Gowling Lafleur Henderson LLP.

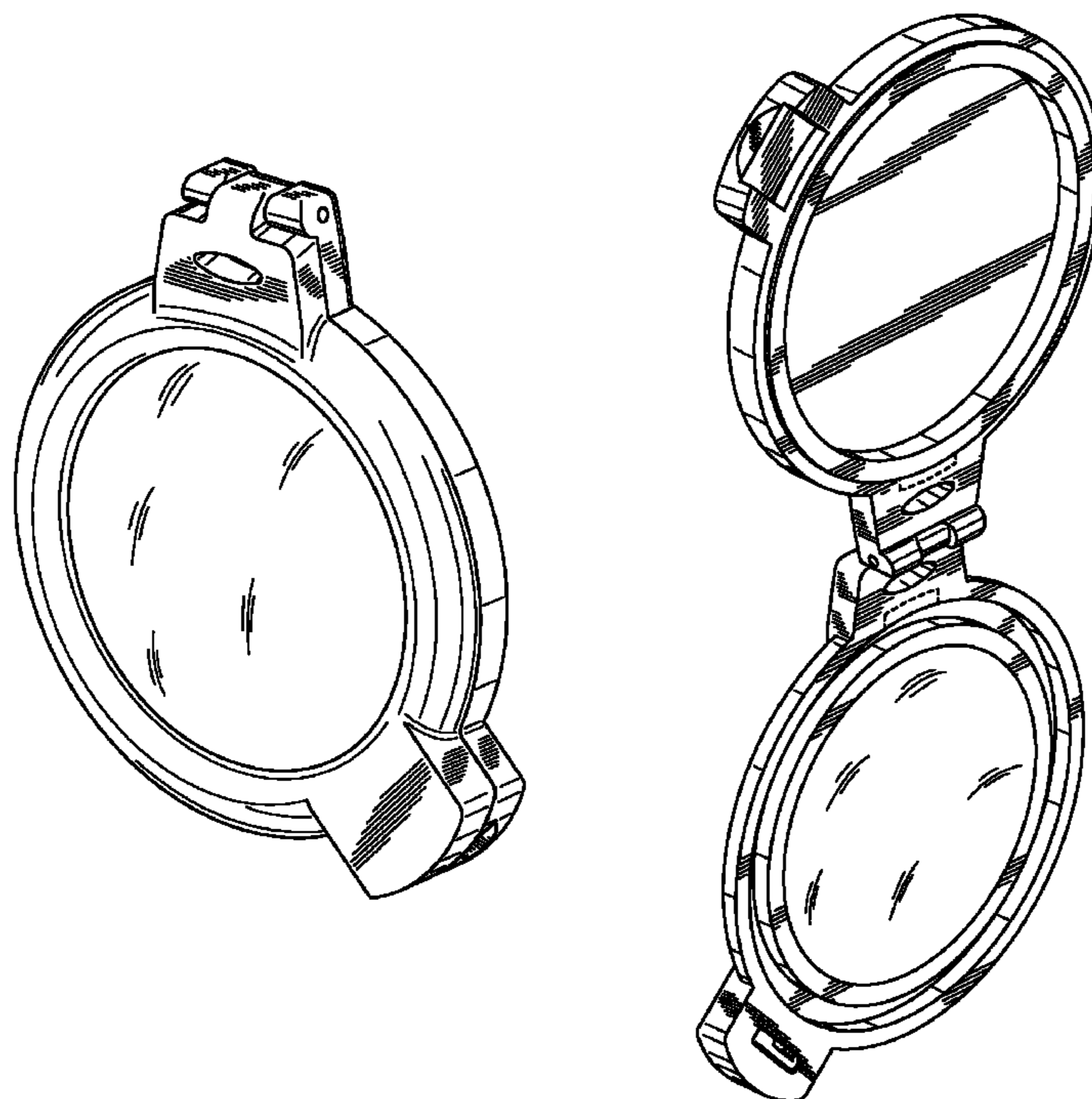
(57) **CLAIM**

The ornamental design for an identification tag, as shown and described.

DESCRIPTION

FIG. 1 is a perspective view of an identification tag in a closed configuration;
 FIG. 2 is a rear view of the identification tag of FIG. 1;
 FIG. 3 is a top view of the identification tag of FIG. 1;
 FIG. 4 is a right side view of the identification tag of FIG. 1;
 FIG. 5 is a left side view of the identification tag of FIG. 1;
 FIG. 6 is a bottom view of the identification tag of FIG. 1;
 FIG. 7 is a front view of the identification tag of FIG. 1;
 FIG. 8 is a perspective view of the identification tag in an open configuration;
 FIG. 9 is a bottom view of the identification tag of FIG. 8;
 FIG. 10 a front view of the identification tag of FIG. 8;
 FIG. 11 is a right side view of the identification tag of FIG. 8;
 FIG. 12 is a top view of the identification tag of FIG. 8;
 FIG. 13 is a left side view of the identification tag of FIG. 8;
 FIG. 14 is a rear view of the identification tag of FIG. 8;
 FIG. 15 is a top view of the identification tag in the closed configuration of FIG. 1 showing the environment with an insert shown in broken lines; and,
 FIG. 16 is a top view of the identification tag in the open configuration of FIG. 8 showing the environment with inserts shown in broken lines.
 Portions shown in broken lines in the Figures are for illustrative purposes only and form no part of the claimed design.

1 Claim, 9 Drawing Sheets



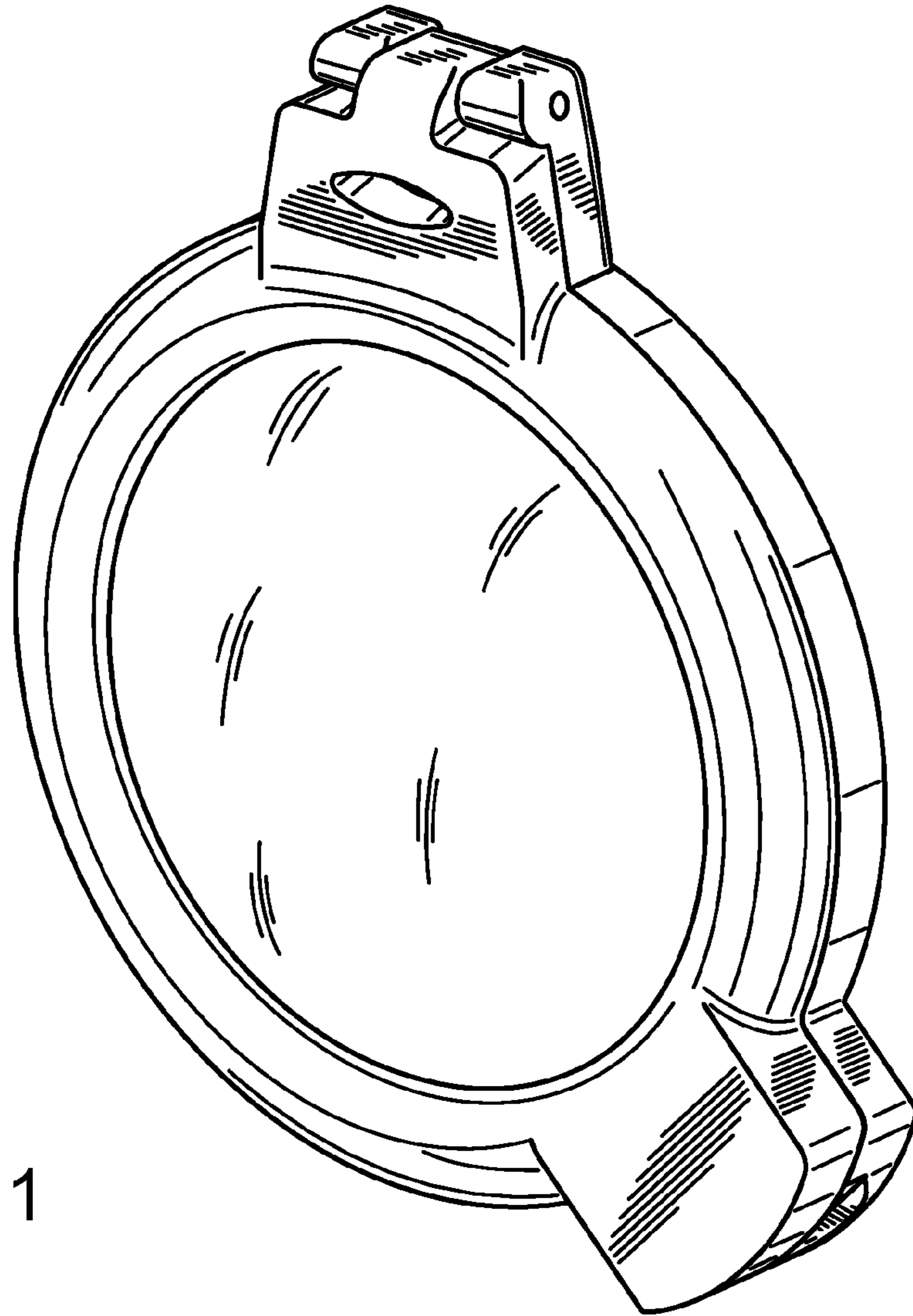


FIG. 1

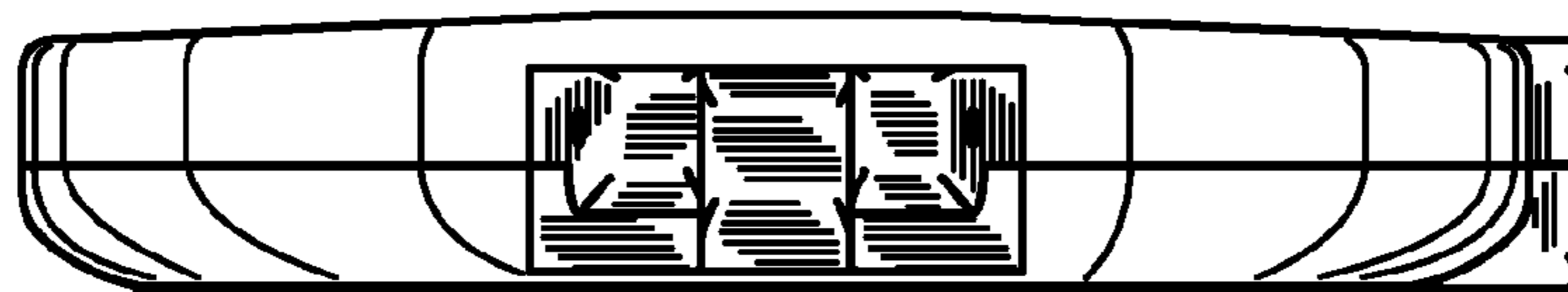


FIG. 2

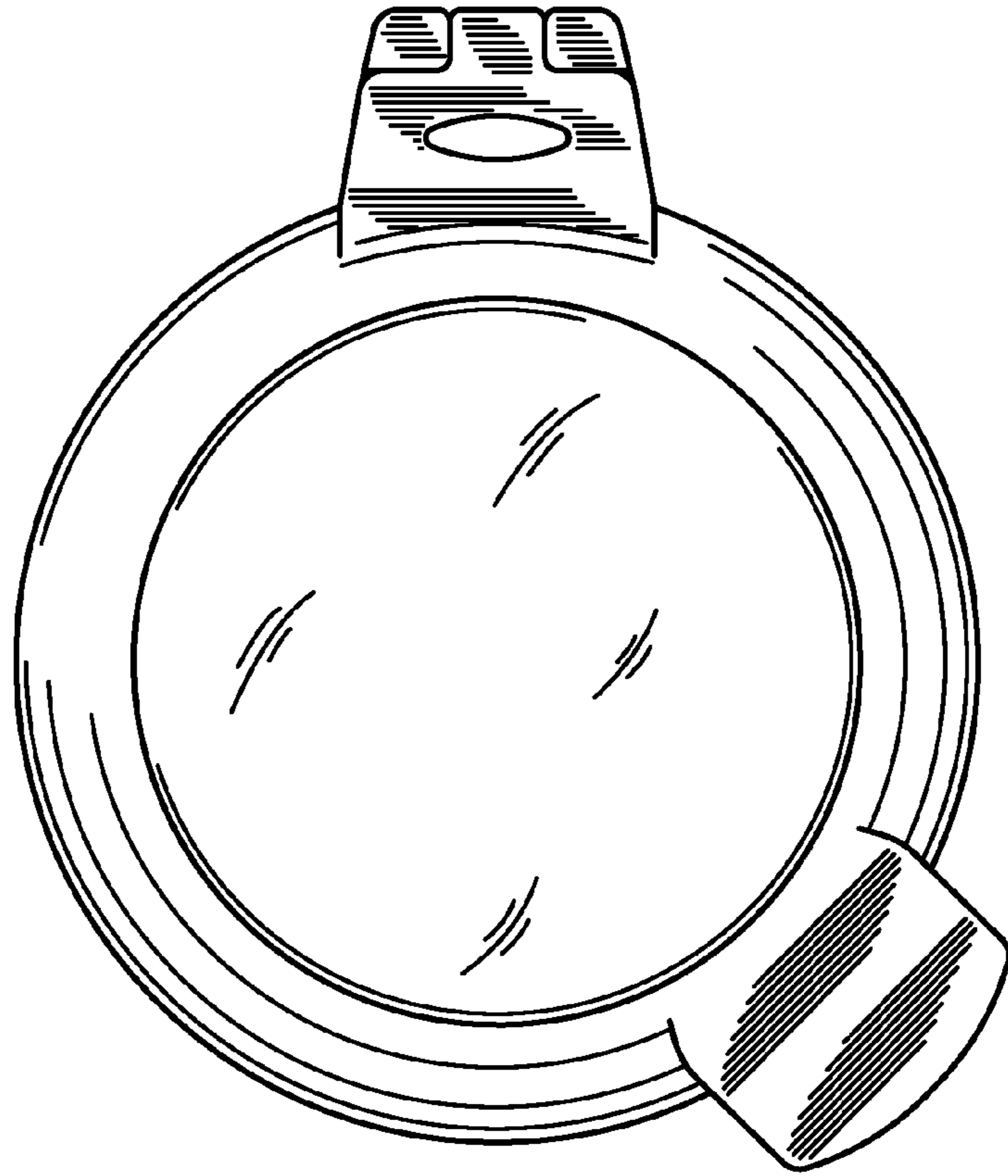


FIG. 3



FIG. 4

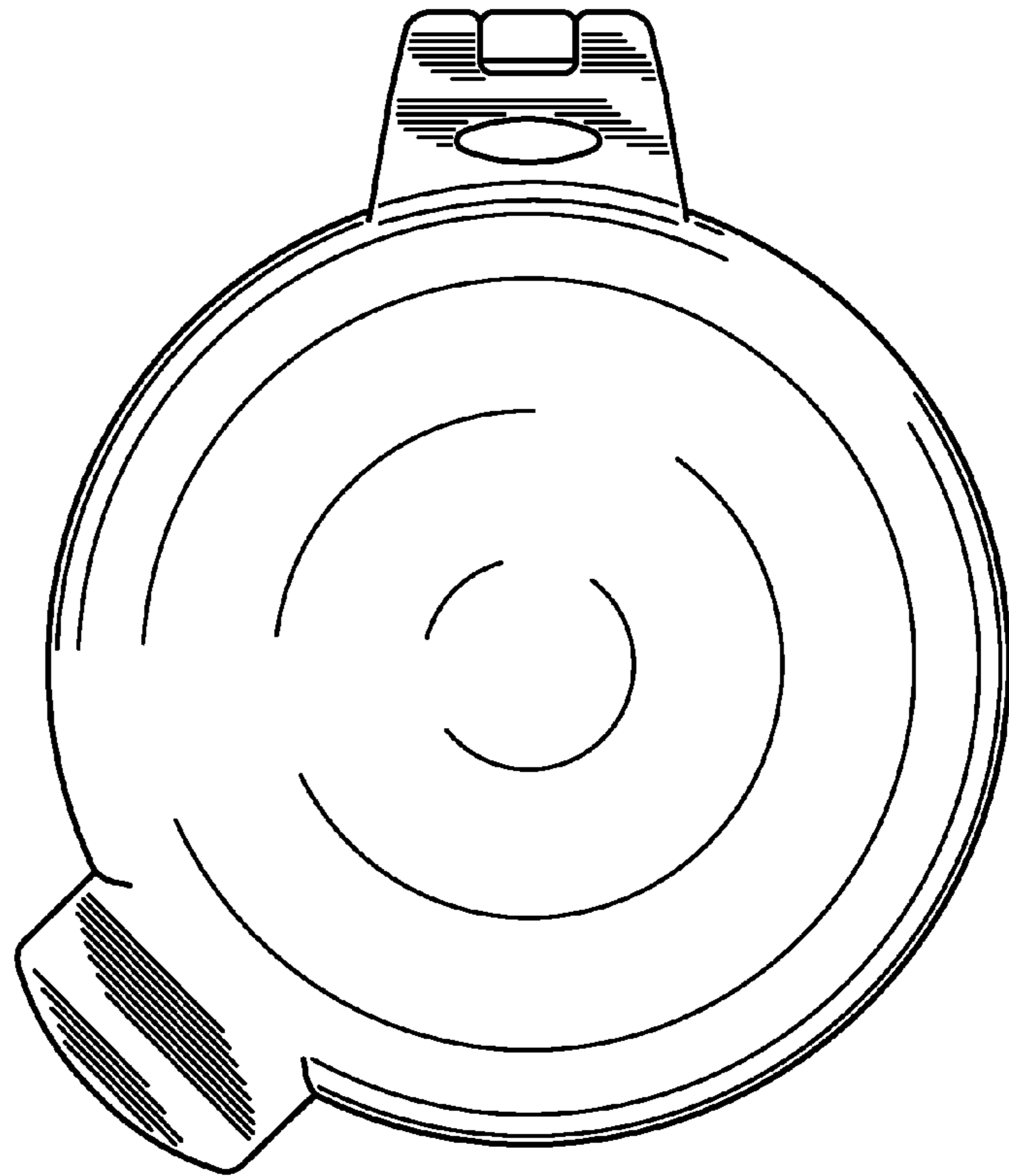


FIG. 6



FIG. 5

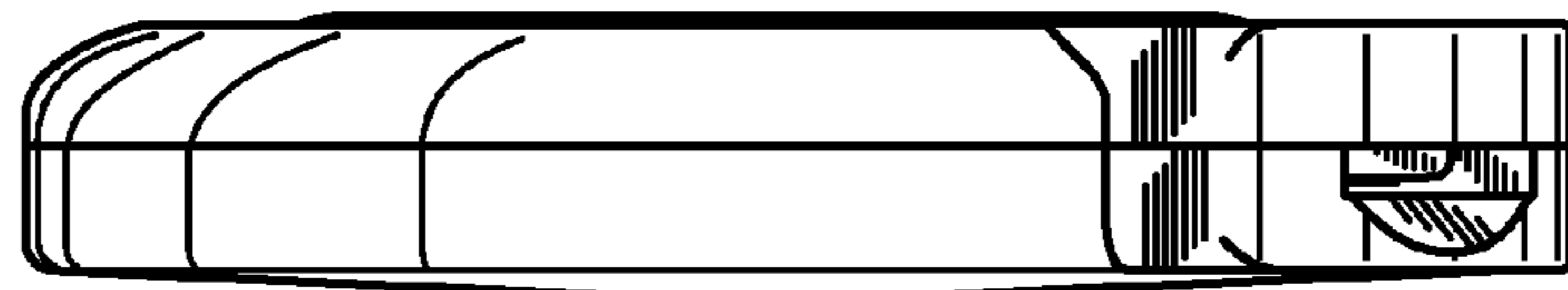


FIG. 7

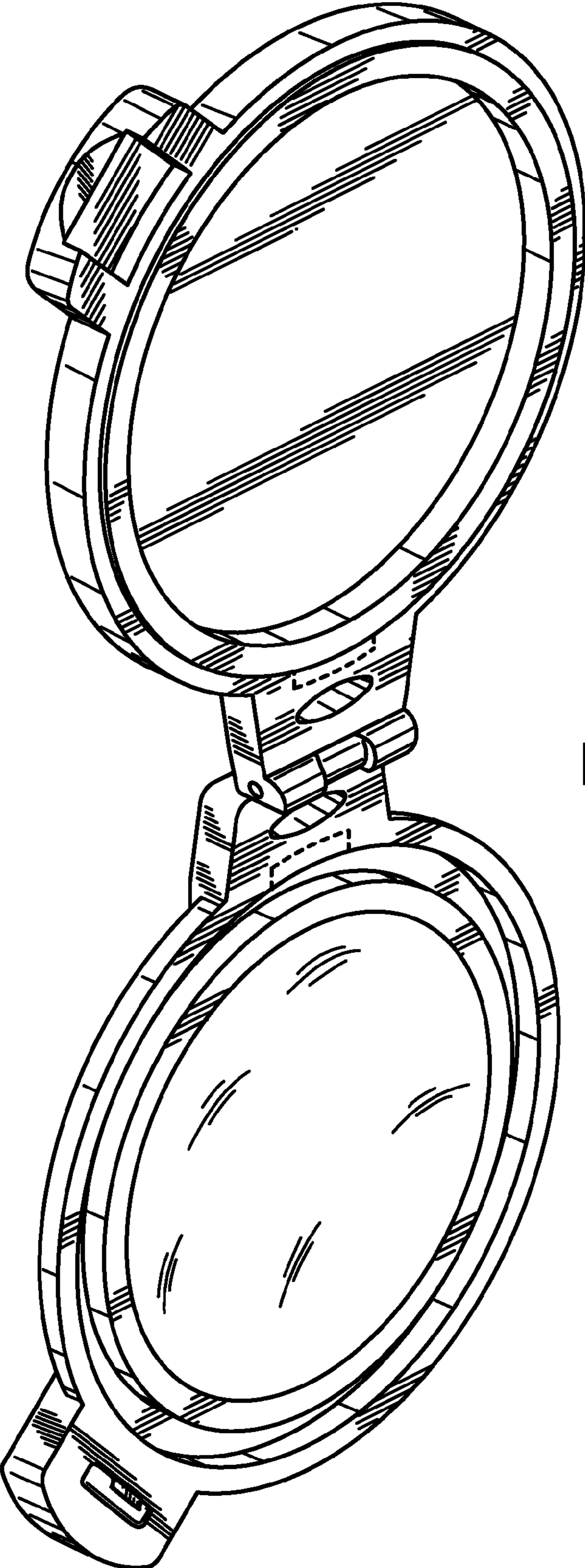


FIG. 8

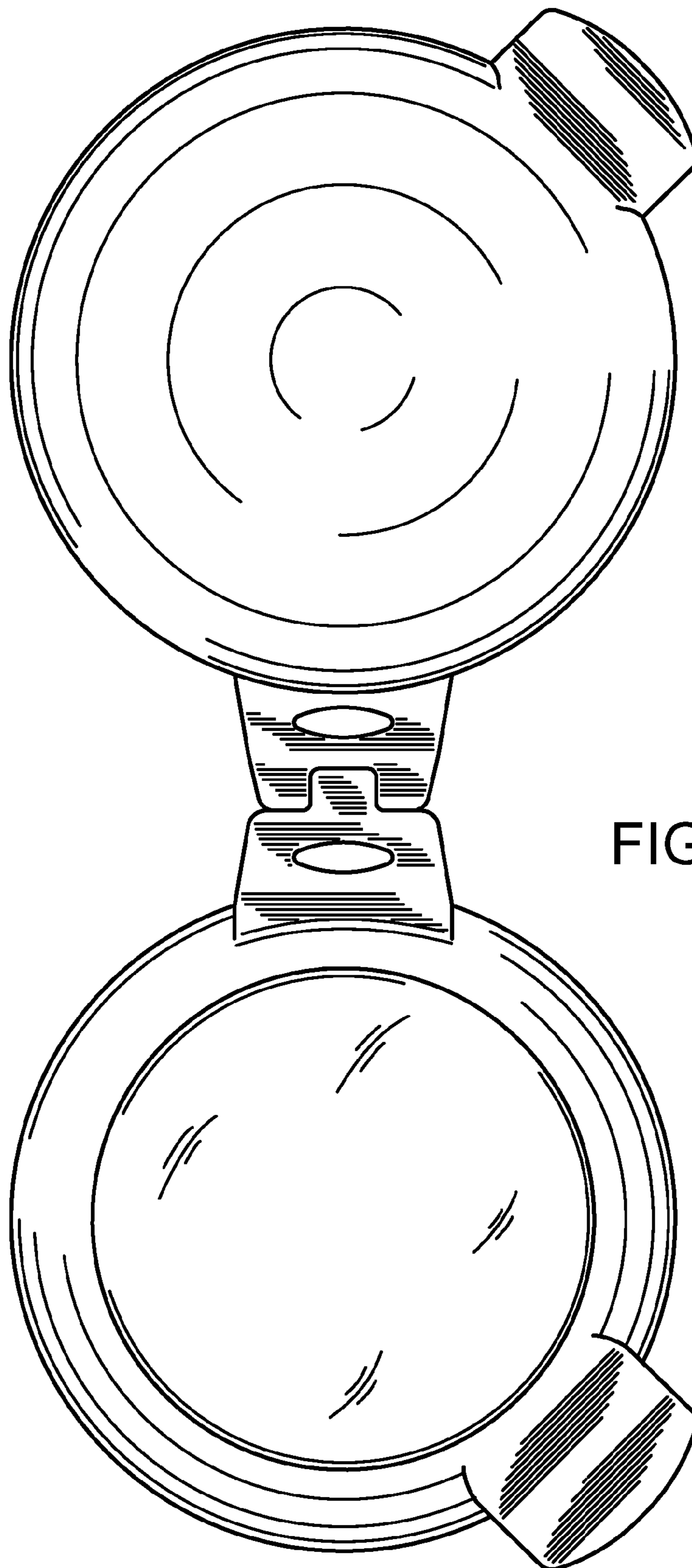


FIG. 9



FIG. 10

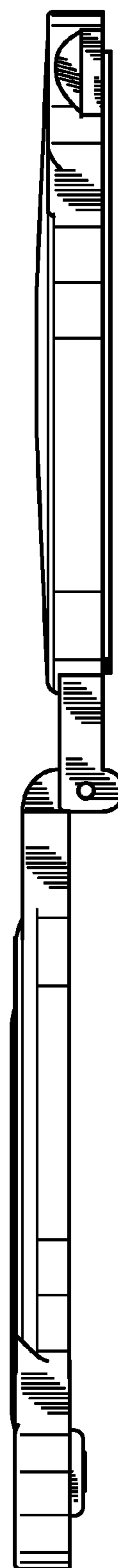


FIG. 11

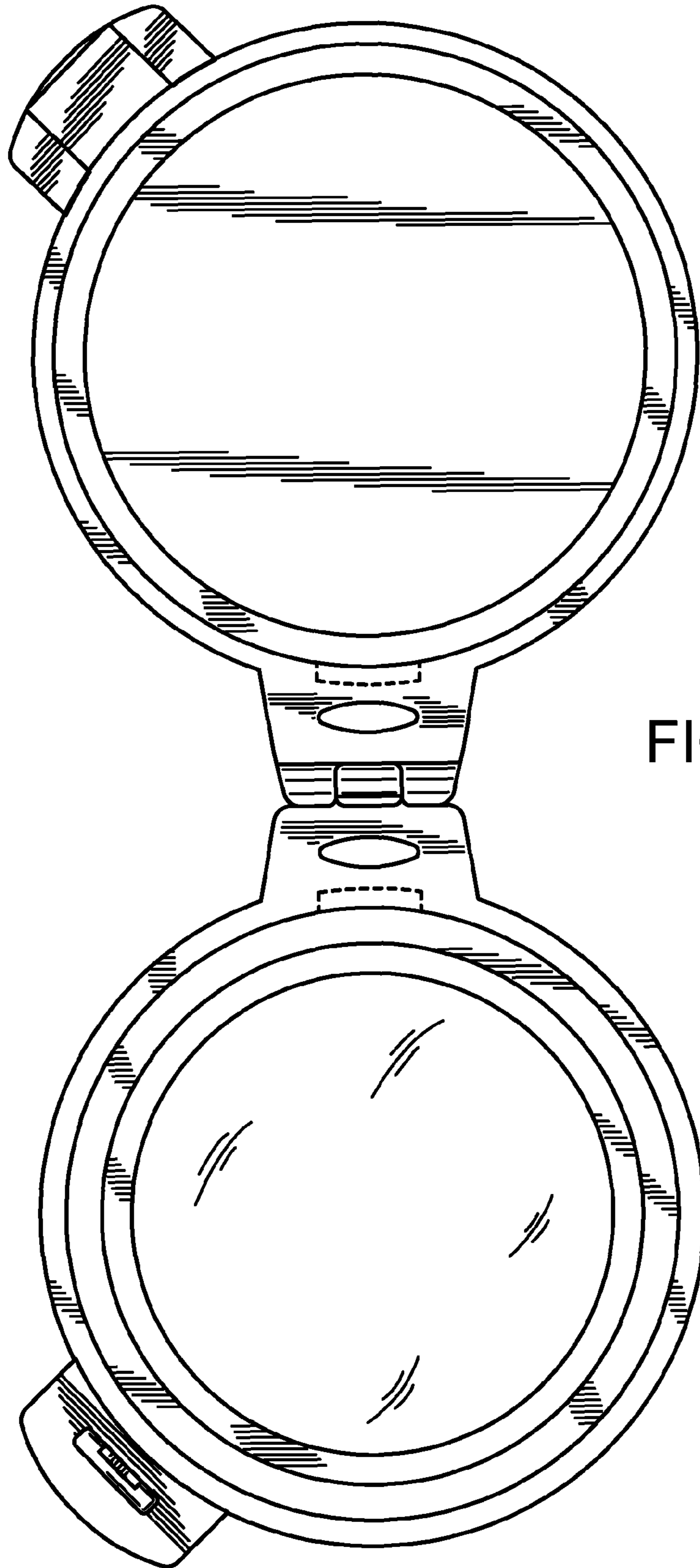


FIG. 12

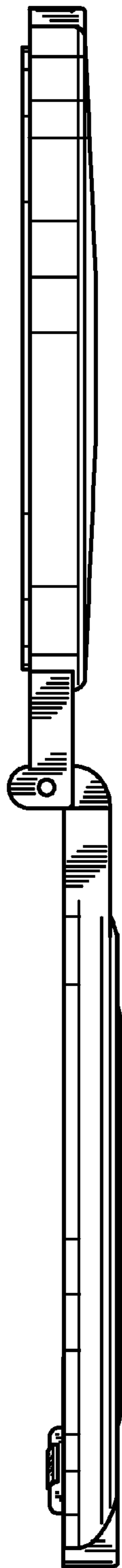


FIG. 13



FIG. 14

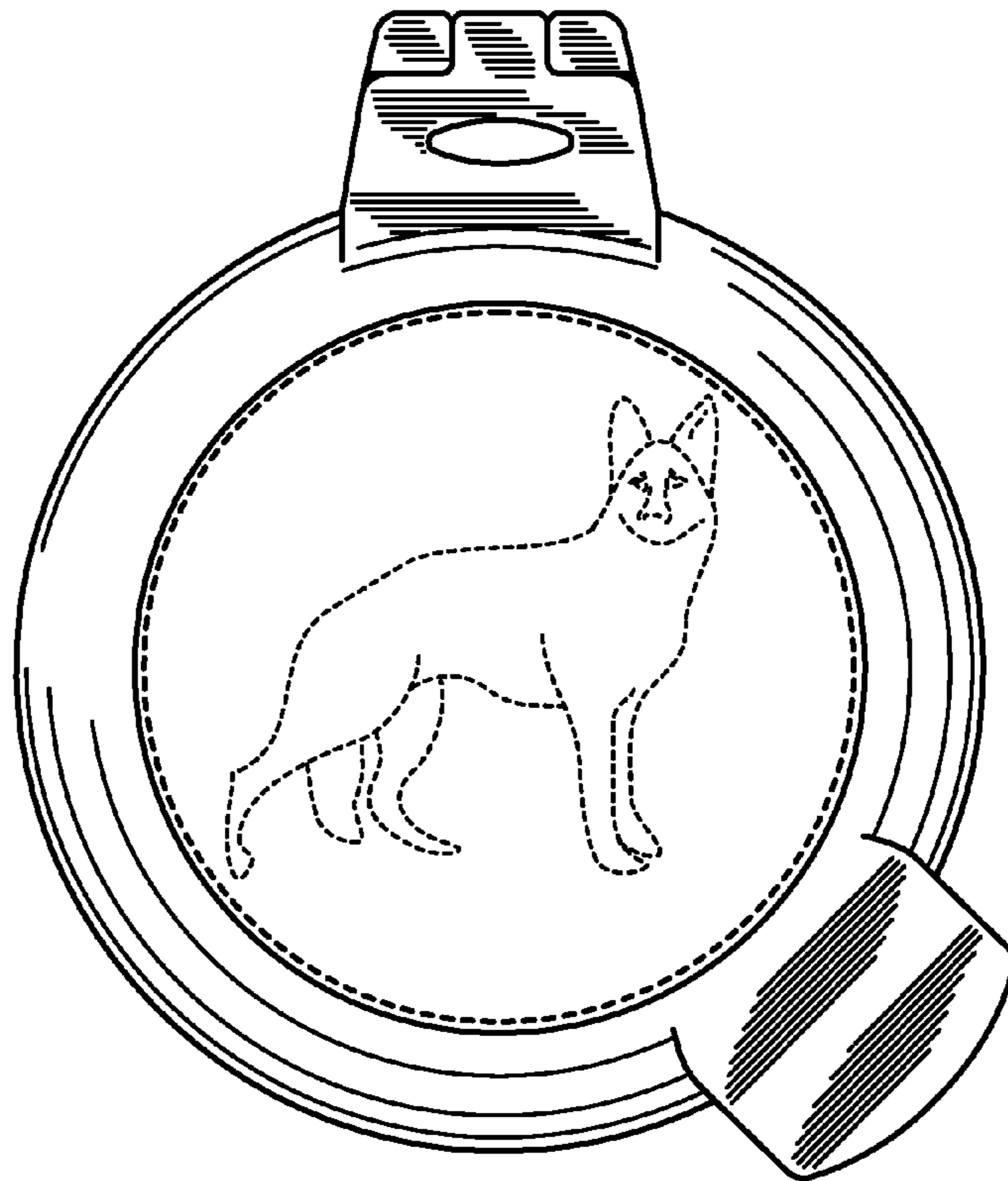


FIG. 15

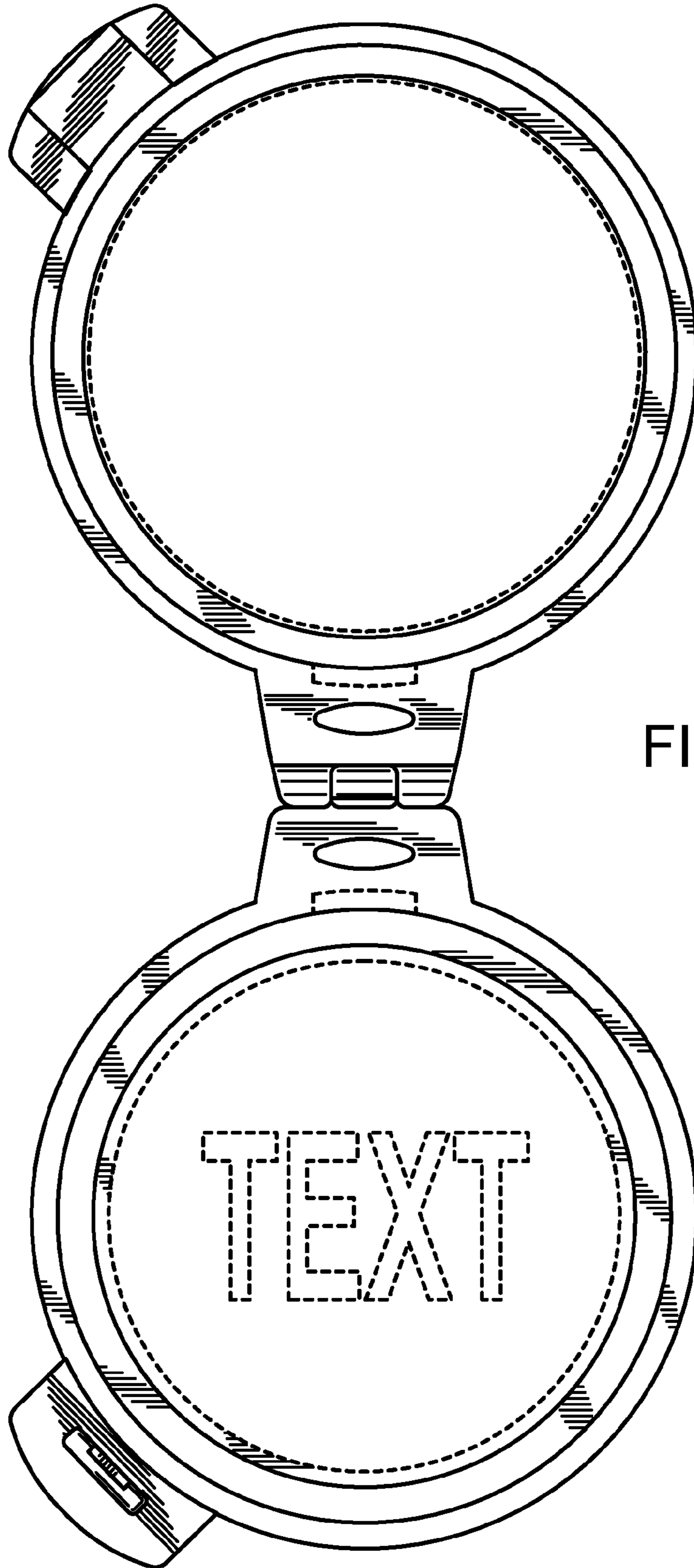


FIG. 16