



US00D636817S

(12) **United States Design Patent**
Elder

(10) **Patent No.:** **US D636,817 S**

(45) **Date of Patent:** **** Apr. 26, 2011**

(54) **TIMING BELT INSTRUCTIONAL MODEL**

(76) Inventor: **Ramon Elder**, Denver, CO (US)

(**) Term: **14 Years**

(21) Appl. No.: **29/340,801**

(22) Filed: **Jul. 26, 2009**

(51) **LOC (9) Cl.** **19-07**

(52) **U.S. Cl.** **D19/62**

(58) **Field of Classification Search** D19/59-64;
D21/488, 563; 273/157 R, 153 S, 288; 434/189,
434/370, 401, 103

See application file for complete search history.

(56) **References Cited**

U.S. PATENT DOCUMENTS

1,722,659	A *	7/1929	Clark	434/401
2,095,046	A *	10/1937	Wilner	273/153 R
3,577,661	A *	5/1971	Usrey	434/189
D270,073	S *	8/1983	Morey	D19/62
D286,060	S *	10/1986	Morey	D19/62
D286,651	S *	11/1986	Morey	D19/62
D528,162	S *	9/2006	Lucas	D19/62

* cited by examiner

Primary Examiner — T. Chase Nelson

Assistant Examiner — Michael A Pratt

(74) *Attorney, Agent, or Firm* — Marian J. Furst

(57) **CLAIM**

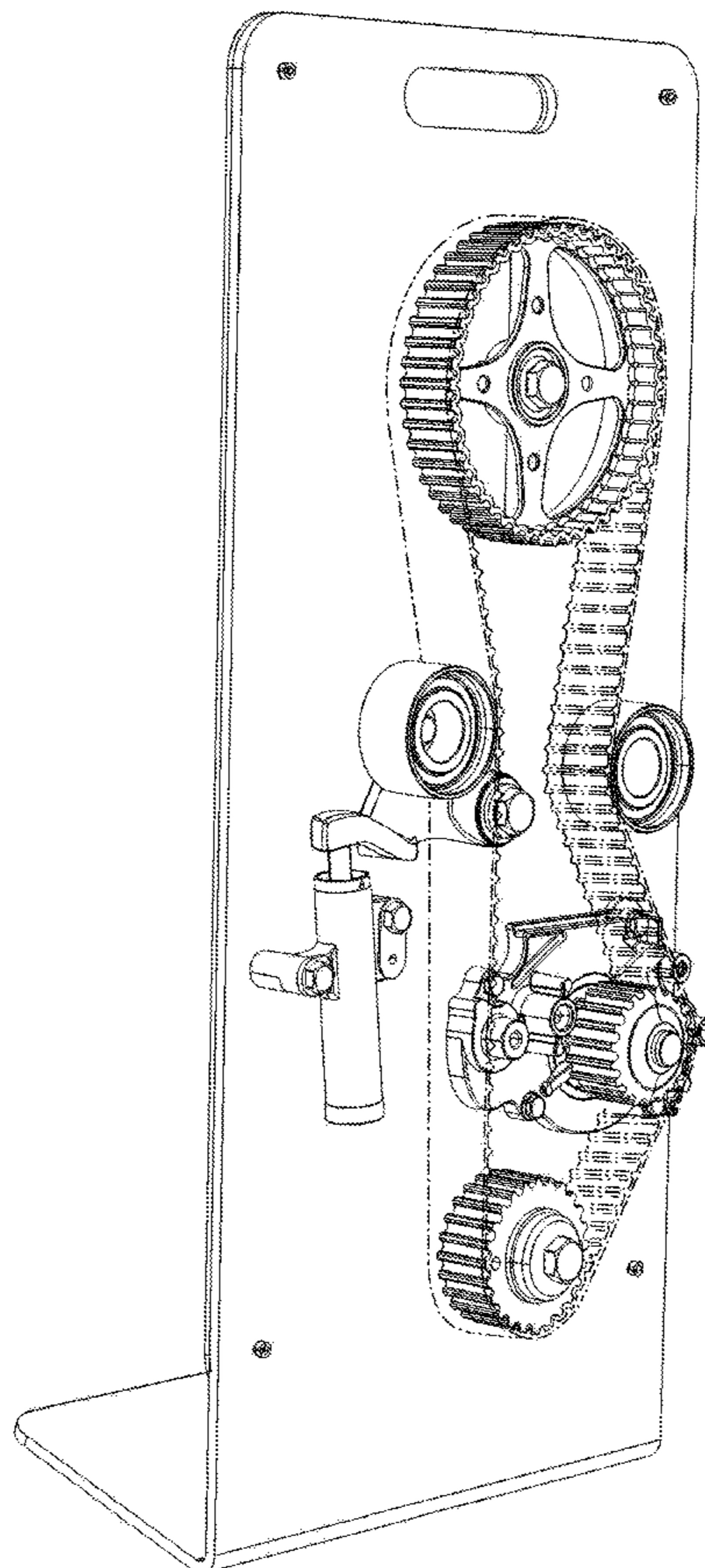
The ornamental design for a timing belt instructional model, as shown and described.

DESCRIPTION

FIG. 1 is a left front perspective view of one embodiment of the timing belt instructional model; FIG. 2 is a right front perspective view thereof; FIG. 3 is a front view thereof; FIG. 4 is a rear view thereof; FIG. 5 is a left side view thereof; FIG. 6 is a right side view thereof; FIG. 7 is a top view thereof; and, FIG. 8 is a bottom view thereof.

The broken line showing of a drive belt in FIGS. 1 through 8 is included for the purpose of illustrating environment and forms no part of the claimed design.

1 Claim, 6 Drawing Sheets



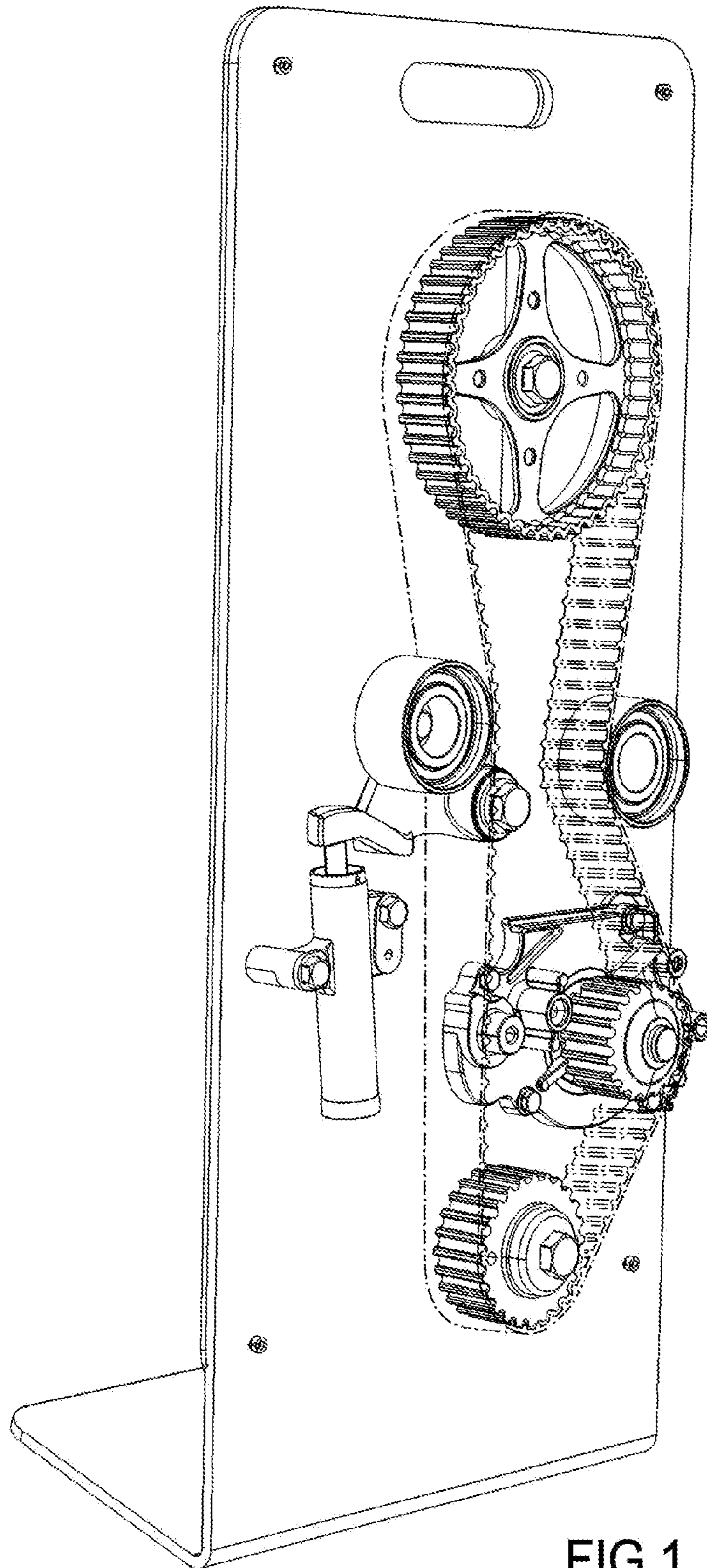


FIG. 1

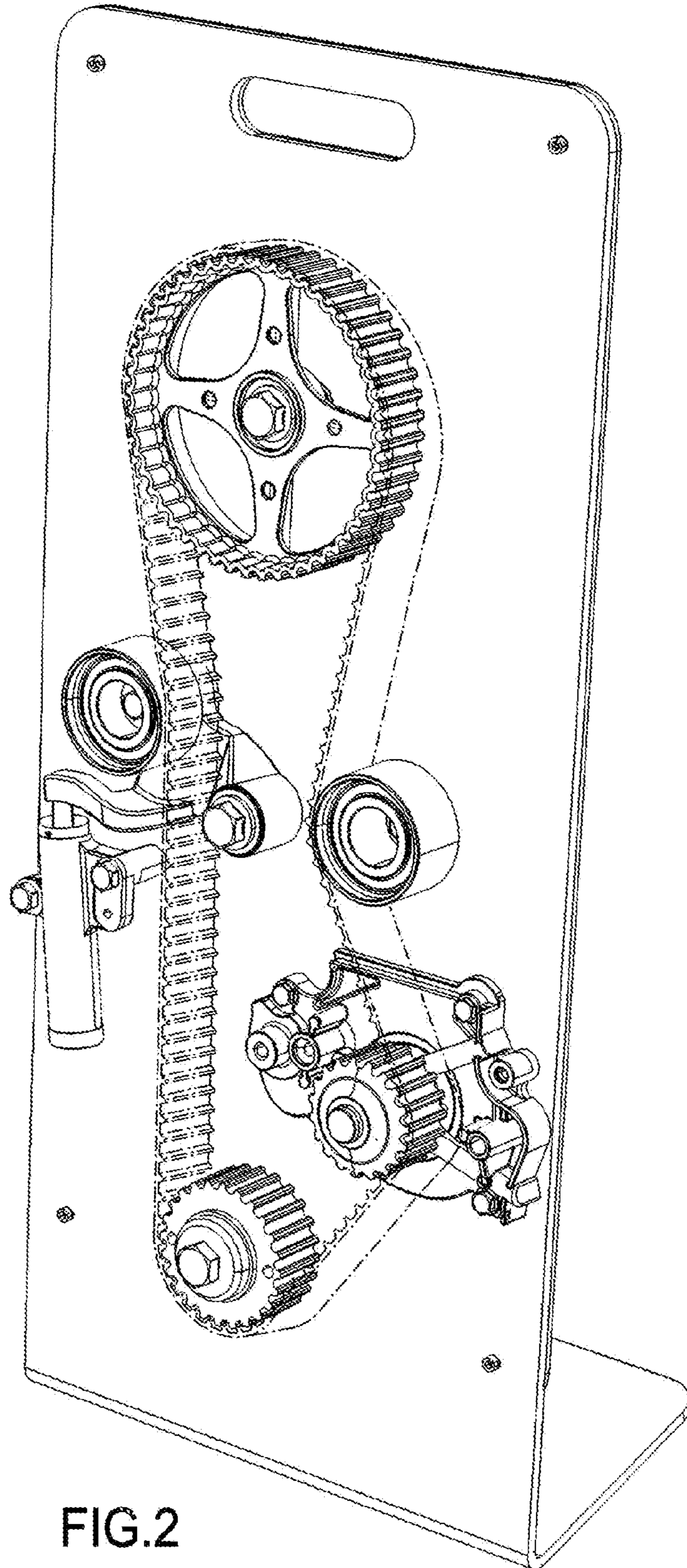


FIG.2

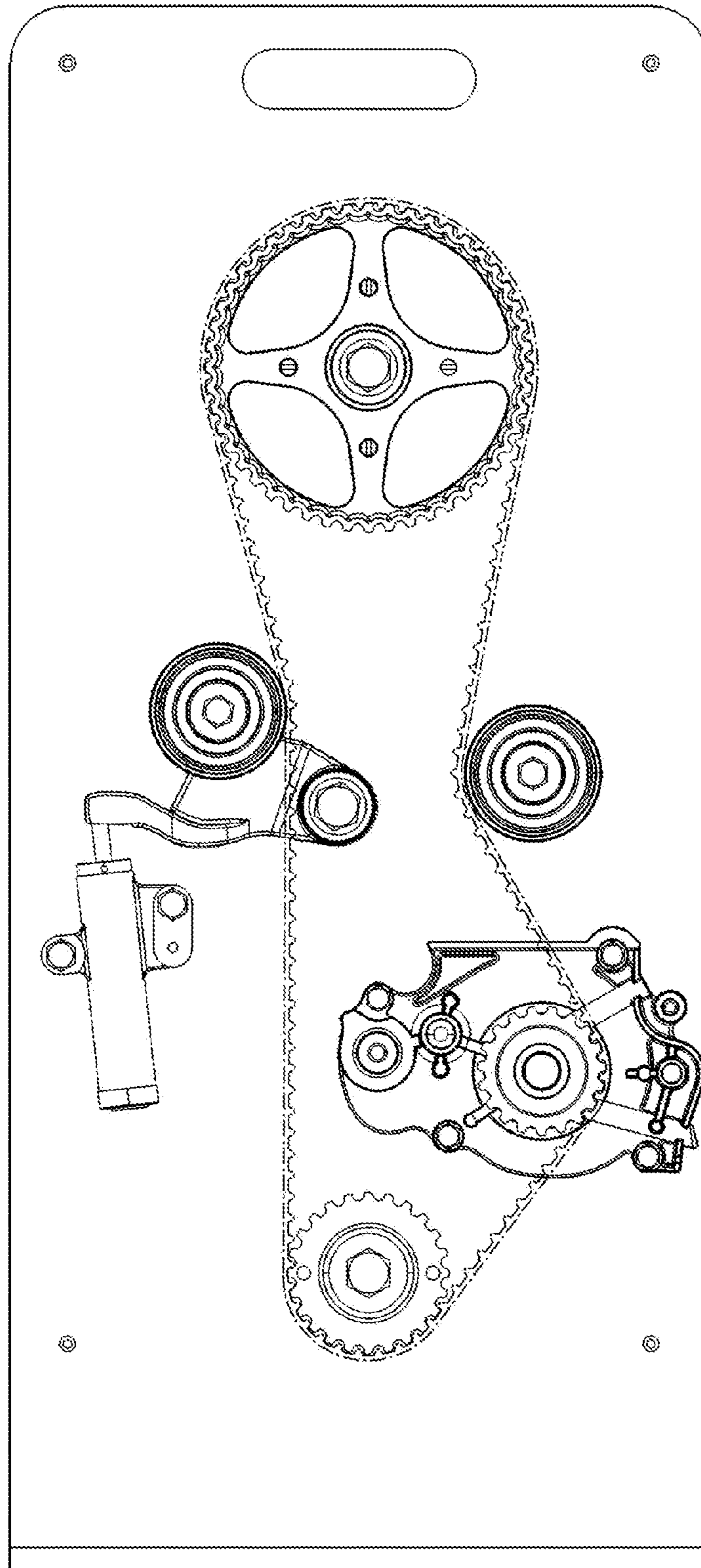


FIG.3

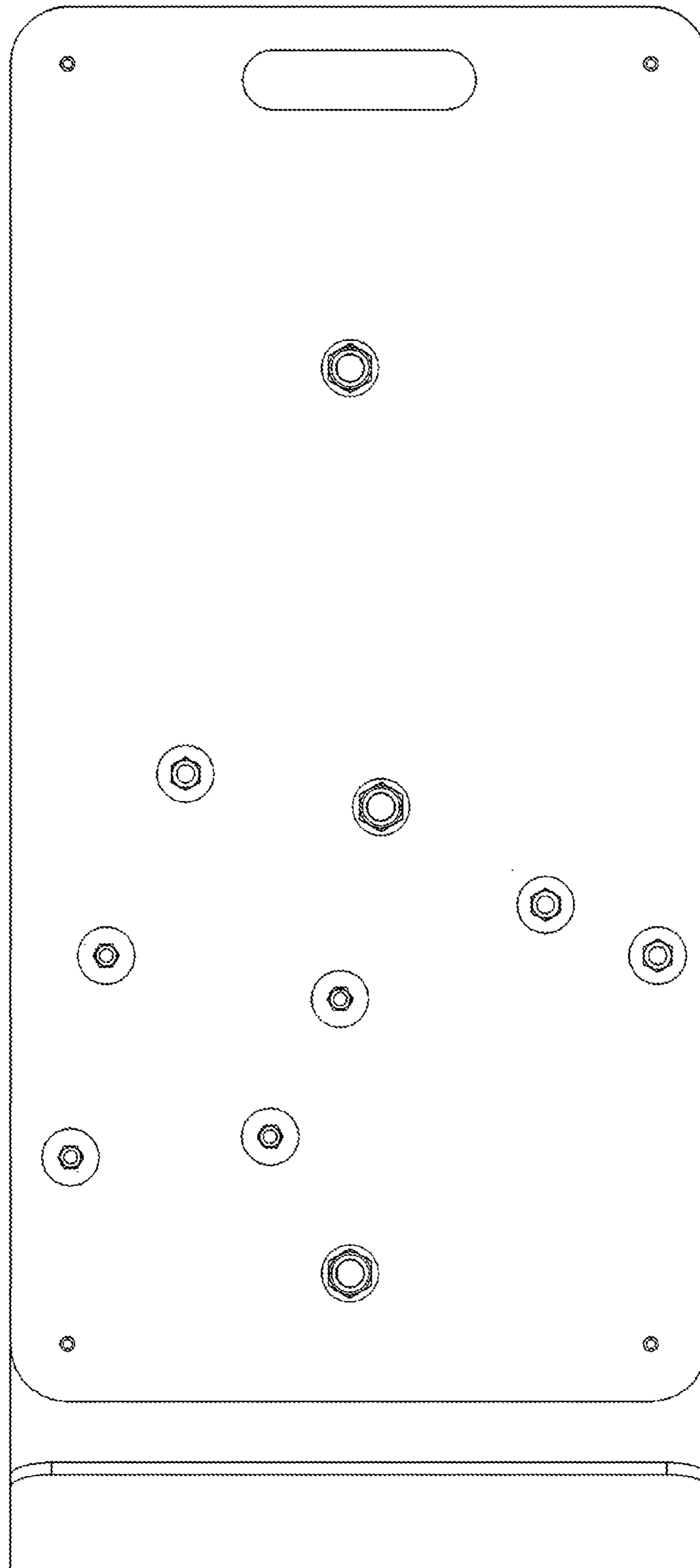


FIG.4

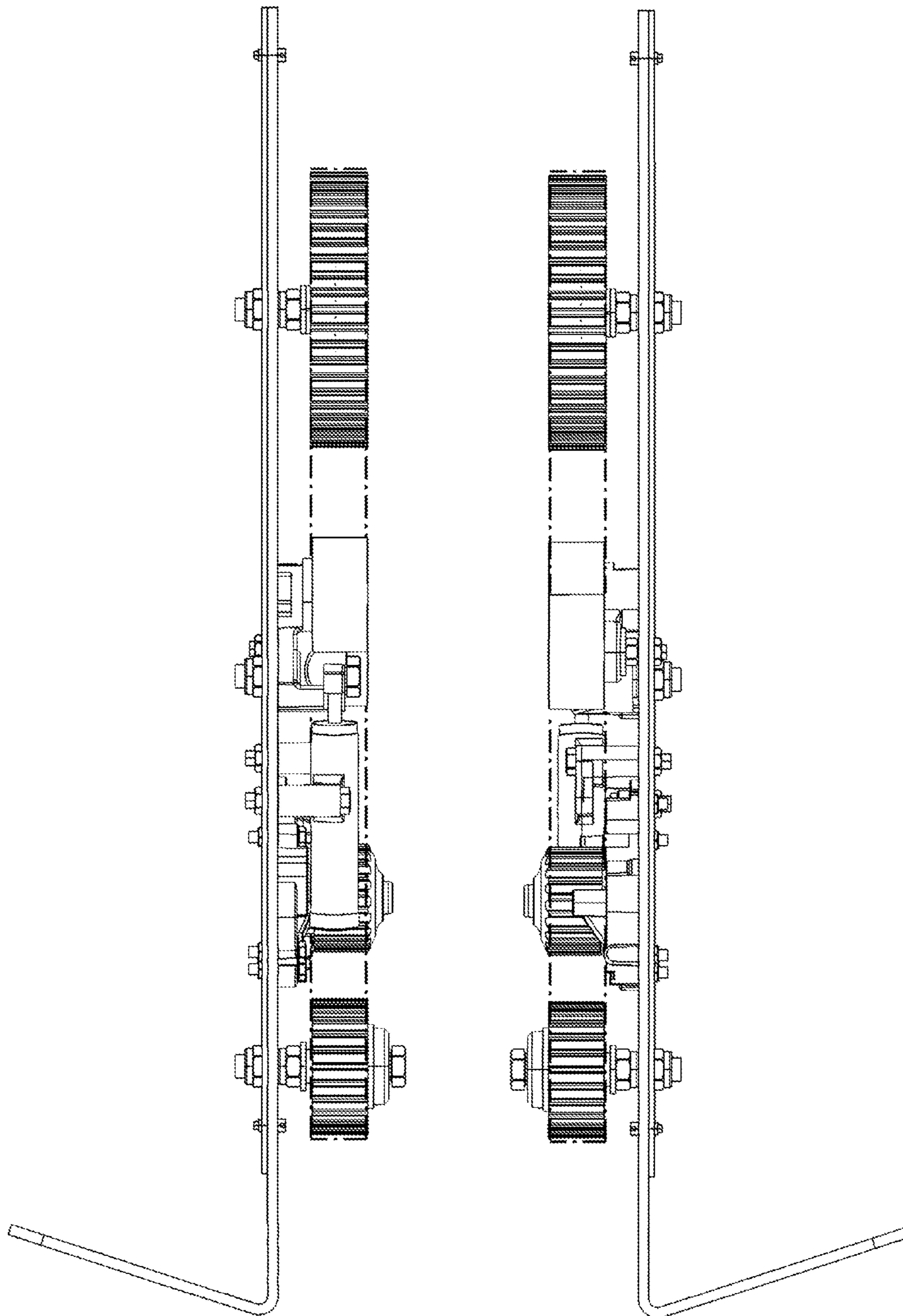


FIG.5

FIG.6

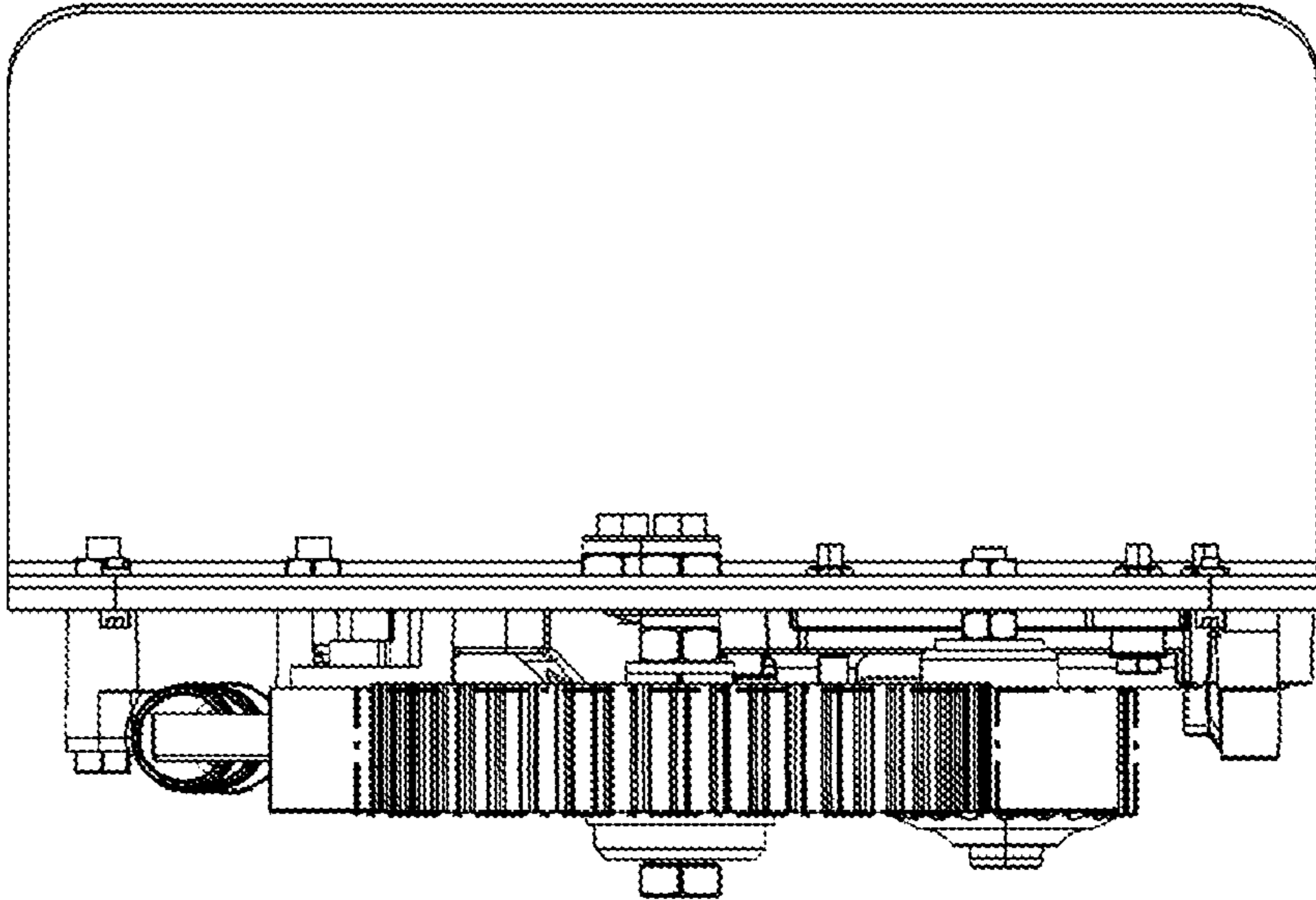


FIG.7

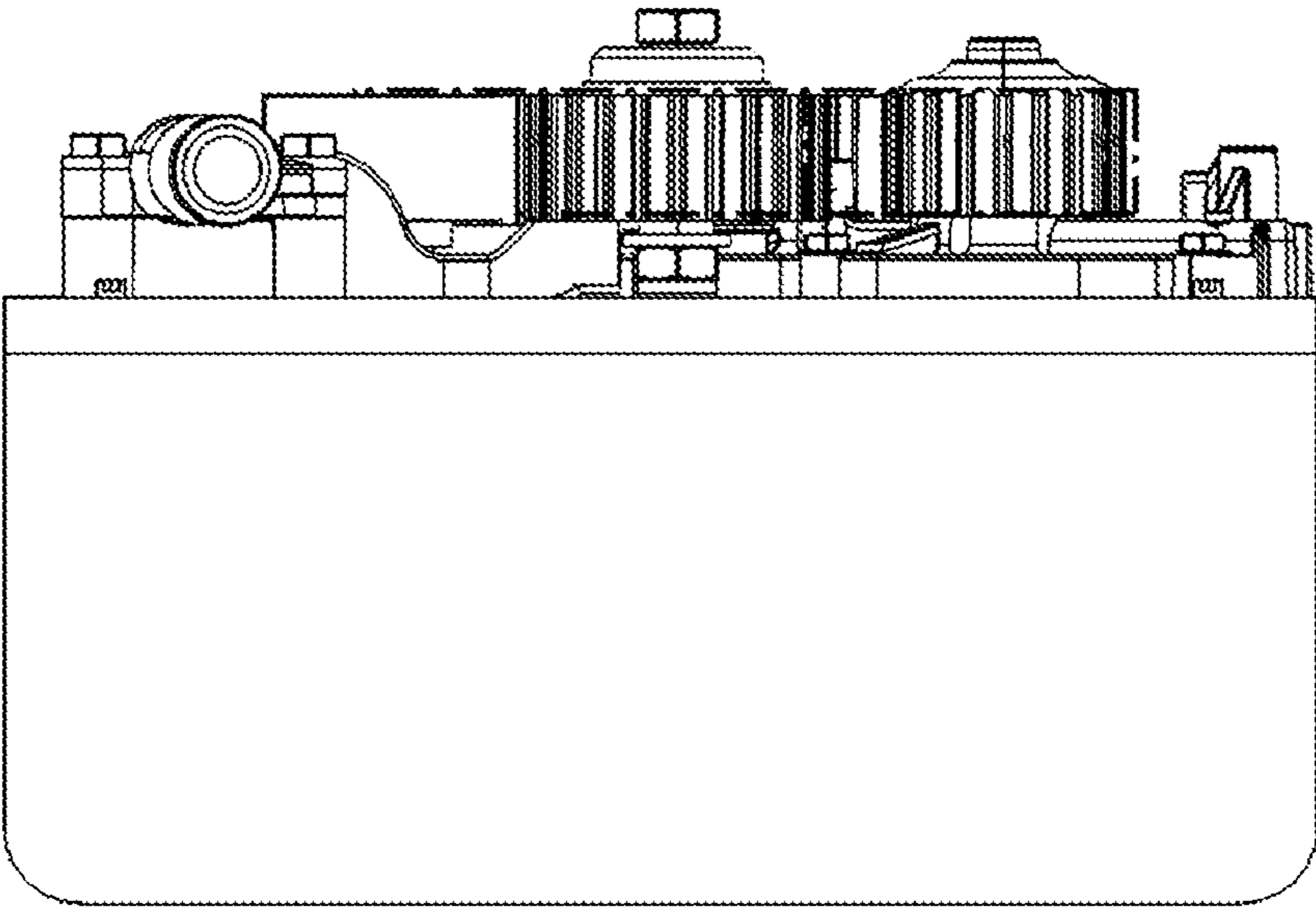


FIG.8