



US00D636813S

(12) **United States Design Patent**
Kikuchi et al.

(10) **Patent No.:** **US D636,813 S**

(45) **Date of Patent:** **** Apr. 26, 2011**

(54) **END CAP OF POWDER CONTAINER**

(75) Inventors: **Kenji Kikuchi**, Zama (JP); **Hideki Kimura**, Yokohama (JP)

(73) Assignee: **Ricoh Company, Ltd.**, Tokyo (JP)

(**) Term: **14 Years**

(21) Appl. No.: **29/375,492**

(22) Filed: **Sep. 23, 2010**

Related U.S. Application Data

(62) Division of application No. 29/357,017, filed on Mar. 5, 2010, now abandoned.

(51) **LOC (9) Cl.** **16-03**

(52) **U.S. Cl.** **D18/43**

(58) **Field of Classification Search** D14/462,
D14/471, 474, 475; D18/12, 36, 40, 43,
D18/44, 56; 222/DIG. 1; 347/197, 214,
347/222; 399/24-28, 107-112, 119, 121,
399/122, 222-224

See application file for complete search history.

(56) **References Cited**

U.S. PATENT DOCUMENTS

6,298,208	B1	10/2001	Kawamura et al.	
D500,074	S	12/2004	Naraoka	
D532,037	S	11/2006	Tsuda et al.	
D598,949	S *	8/2009	Kurenuma et al.	D18/43
D599,845	S	9/2009	Kurenuma et al.	
D600,275	S *	9/2009	Kurenuma et al.	D18/43

D602,519 S * 10/2009 Kurenuma et al. D18/43

D602,985 S 10/2009 Yoshizawa

D606,583 S * 12/2009 Kurenuma et al. D18/43

D607,045 S * 12/2009 Kurenuma et al. D18/43

2010/0129118 A1 5/2010 Kimura et al.

* cited by examiner

Primary Examiner — Garth Rademaker

(74) *Attorney, Agent, or Firm* — Dickstein Shapiro LLP

(57) **CLAIM**

The ornamental design for an end cap of powder container, as shown and described.

DESCRIPTION

FIG. 1 is a top, rear and left side perspective view of an end cap of powder container, showing the new design;

FIG. 2 is a bottom, front and right side perspective view thereof;

FIG. 3 is a top, front and right side perspective view thereof;

FIG. 4 is a bottom, rear and left side perspective view thereof;

FIG. 5 is a front view thereof;

FIG. 6 is a rear view thereof;

FIG. 7 is a right side view thereof;

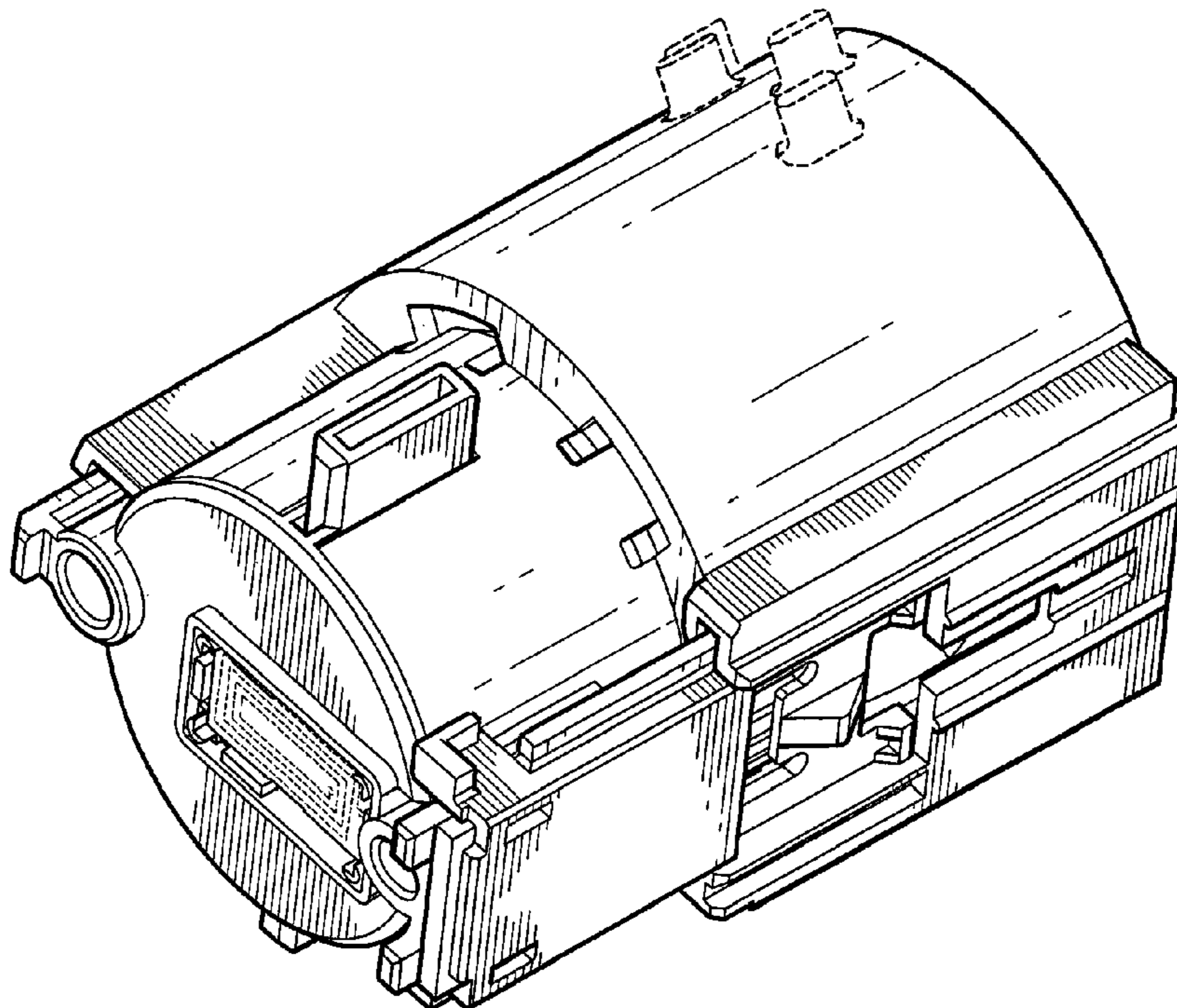
FIG. 8 is a left side view thereof;

FIG. 9 is a top view thereof; and,

FIG. 10 is a bottom view thereof.

The broken lines depict environmental subject matter only and form no part of the claimed design.

1 Claim, 6 Drawing Sheets



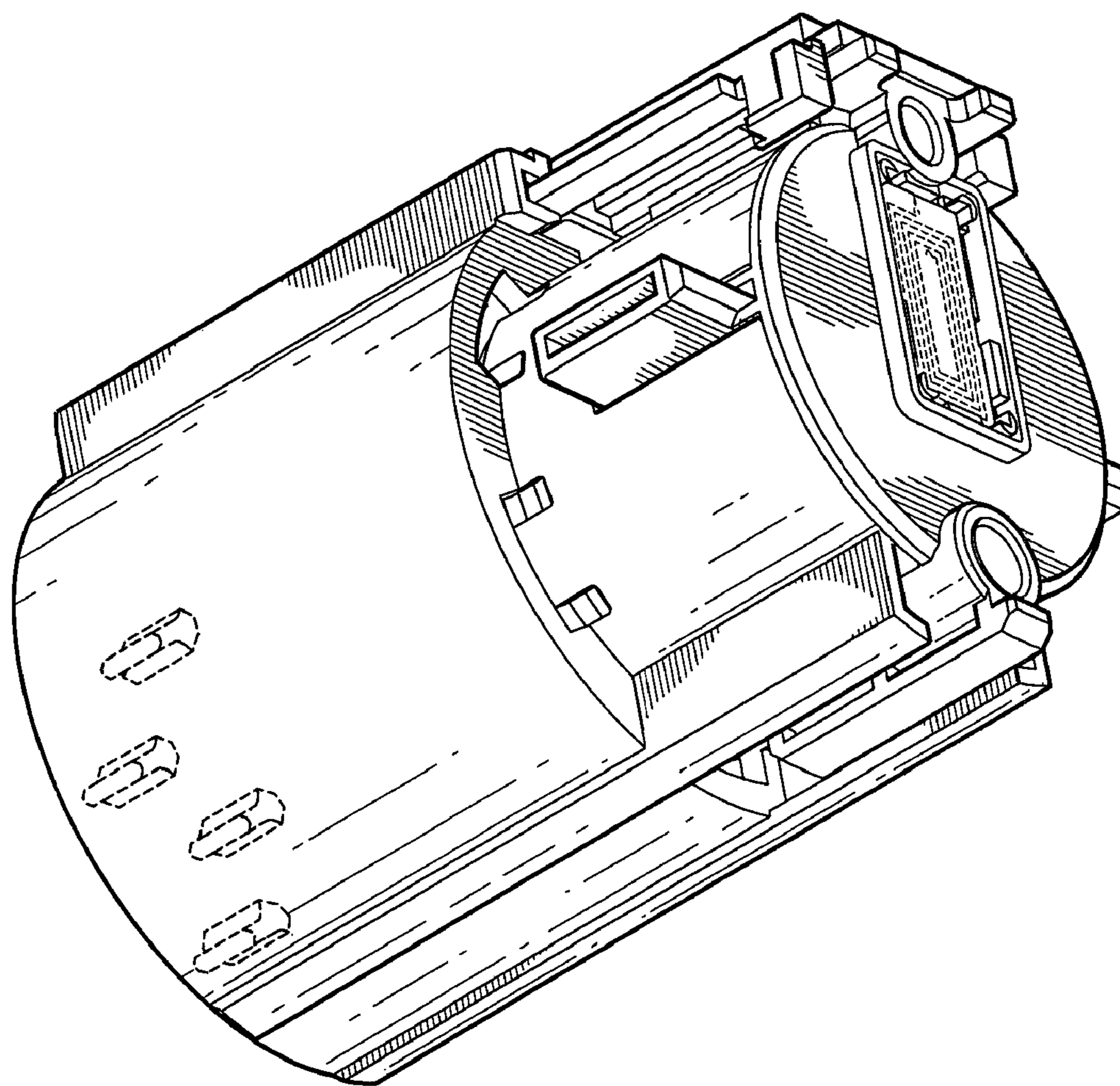


FIG. 1

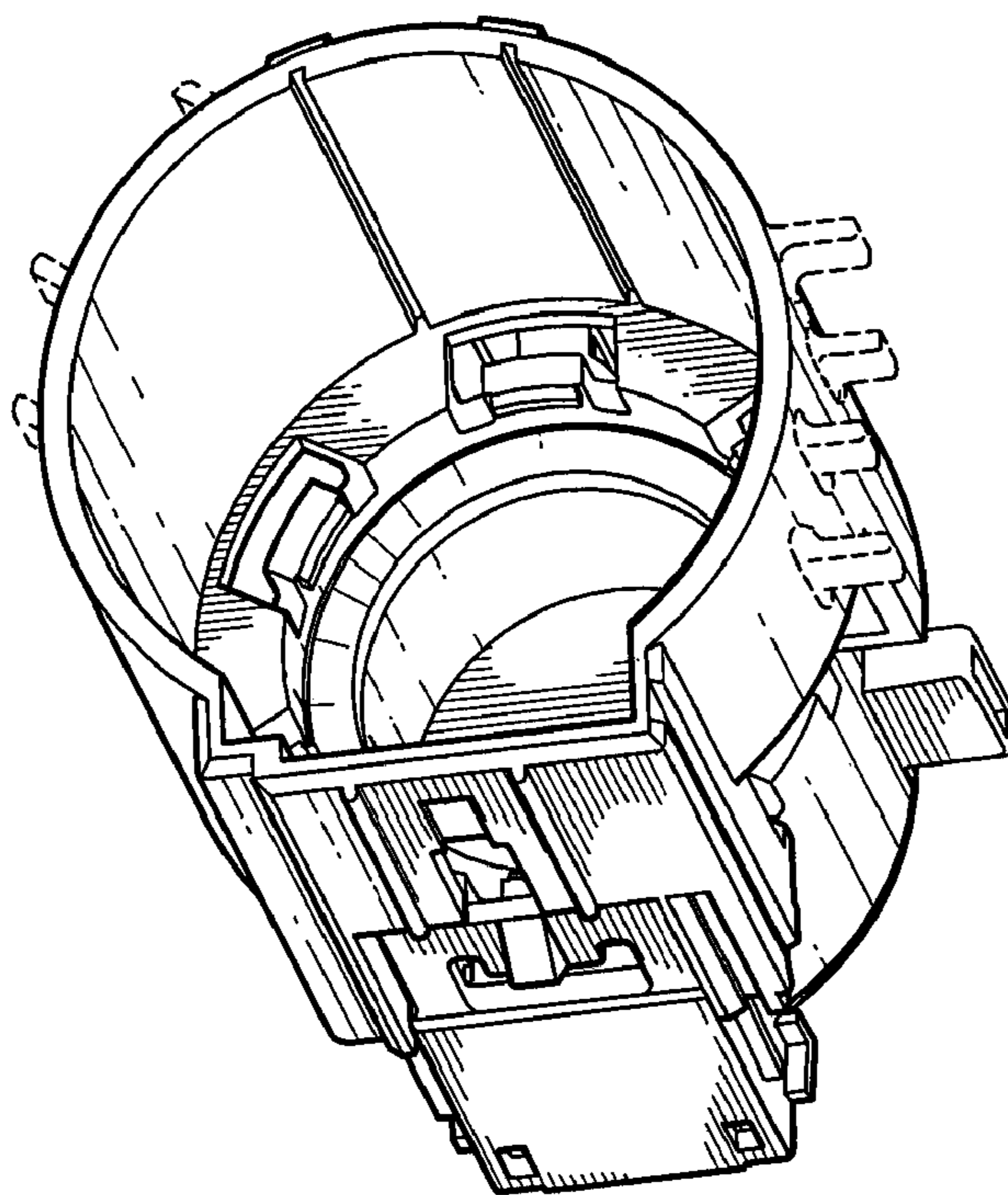


FIG. 2

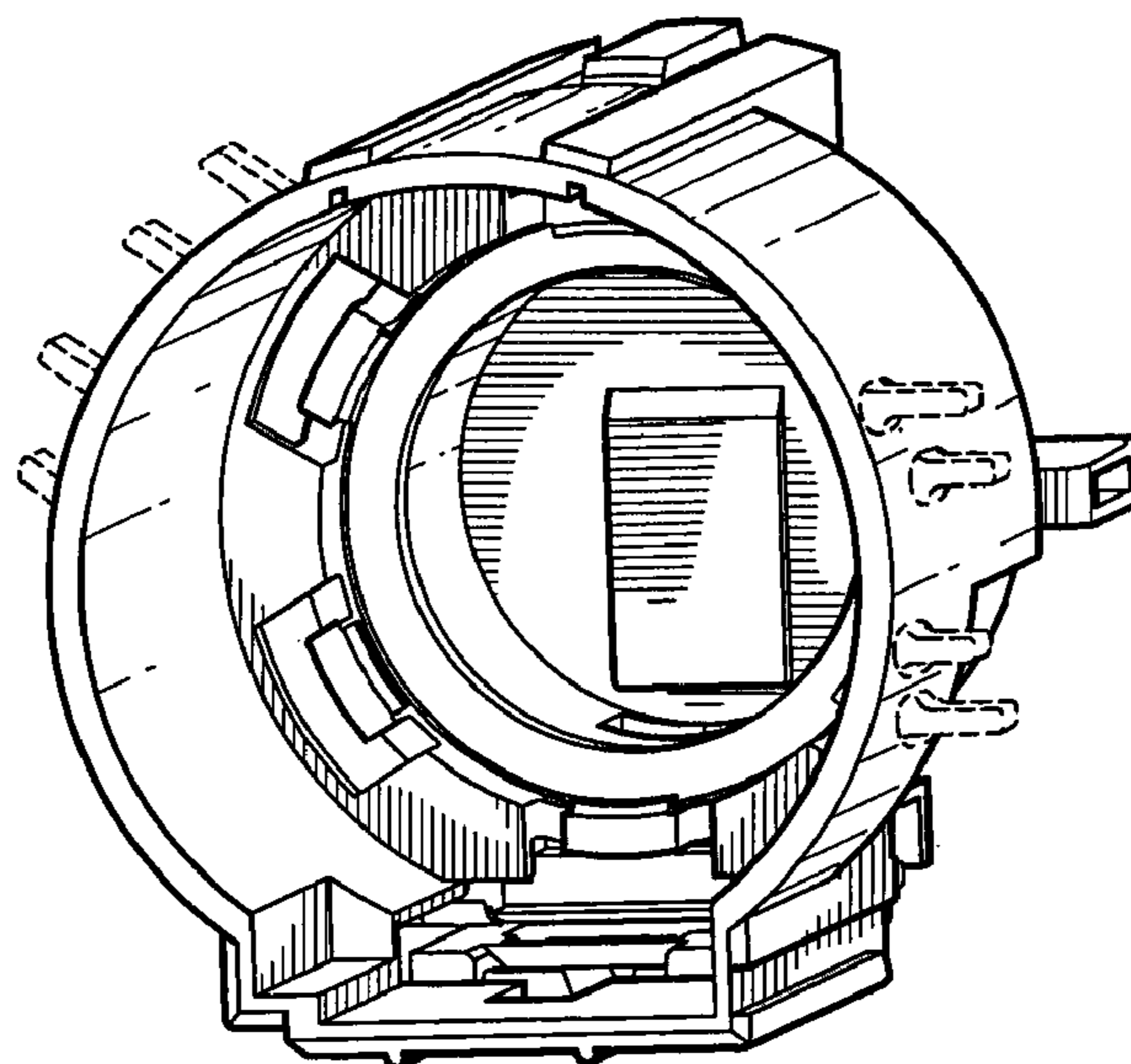


FIG. 3

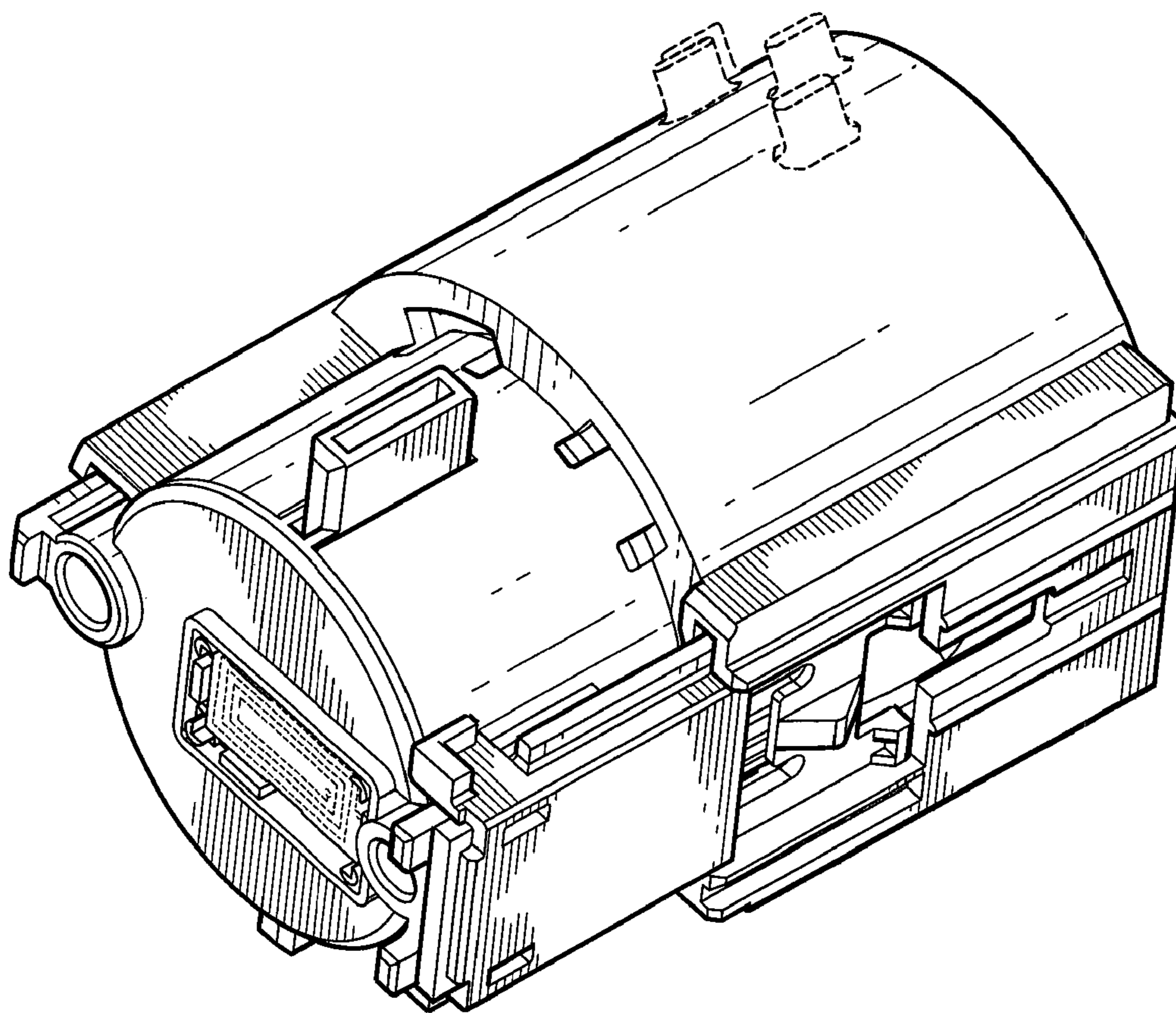


FIG. 4

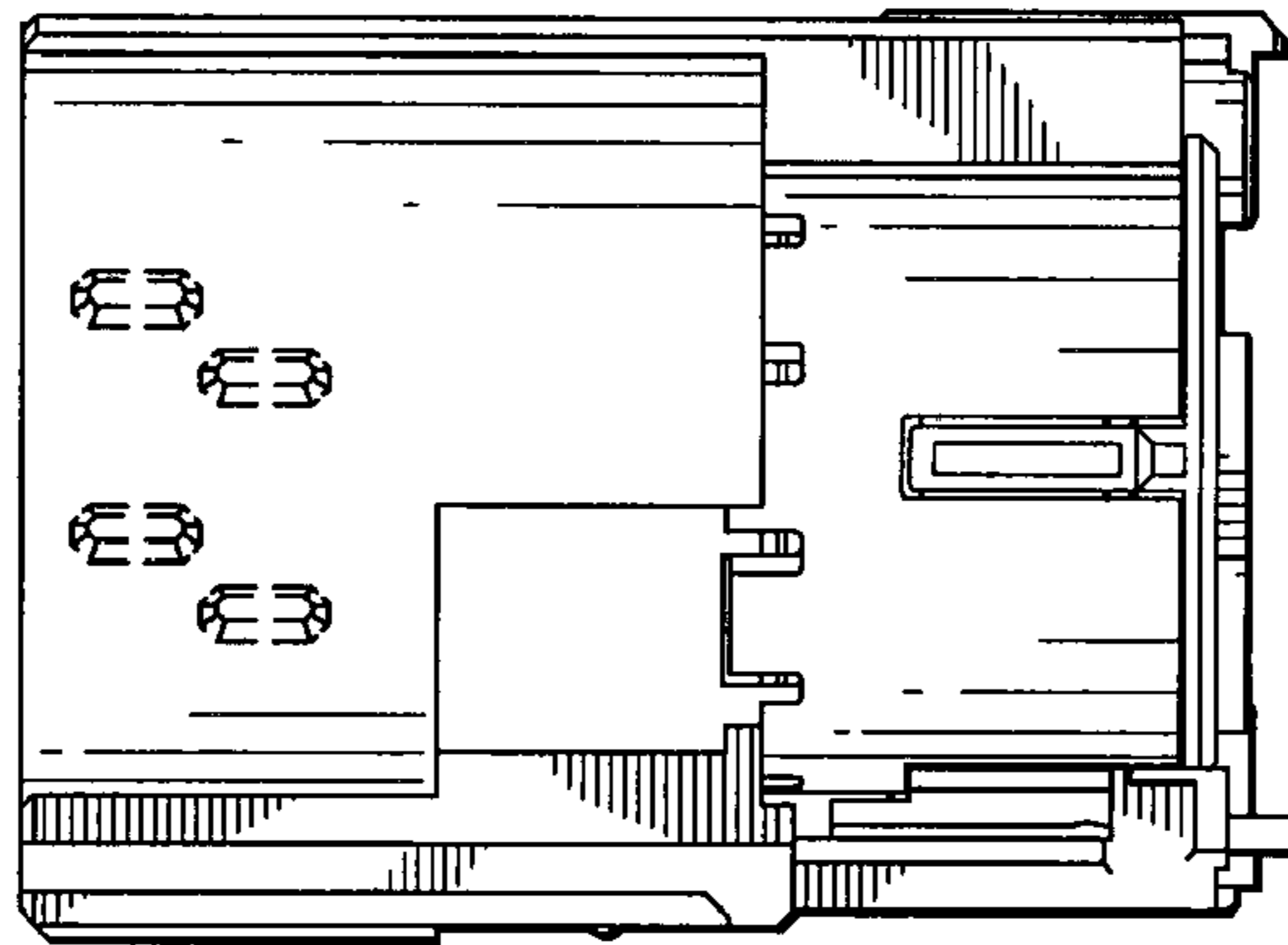


FIG. 5

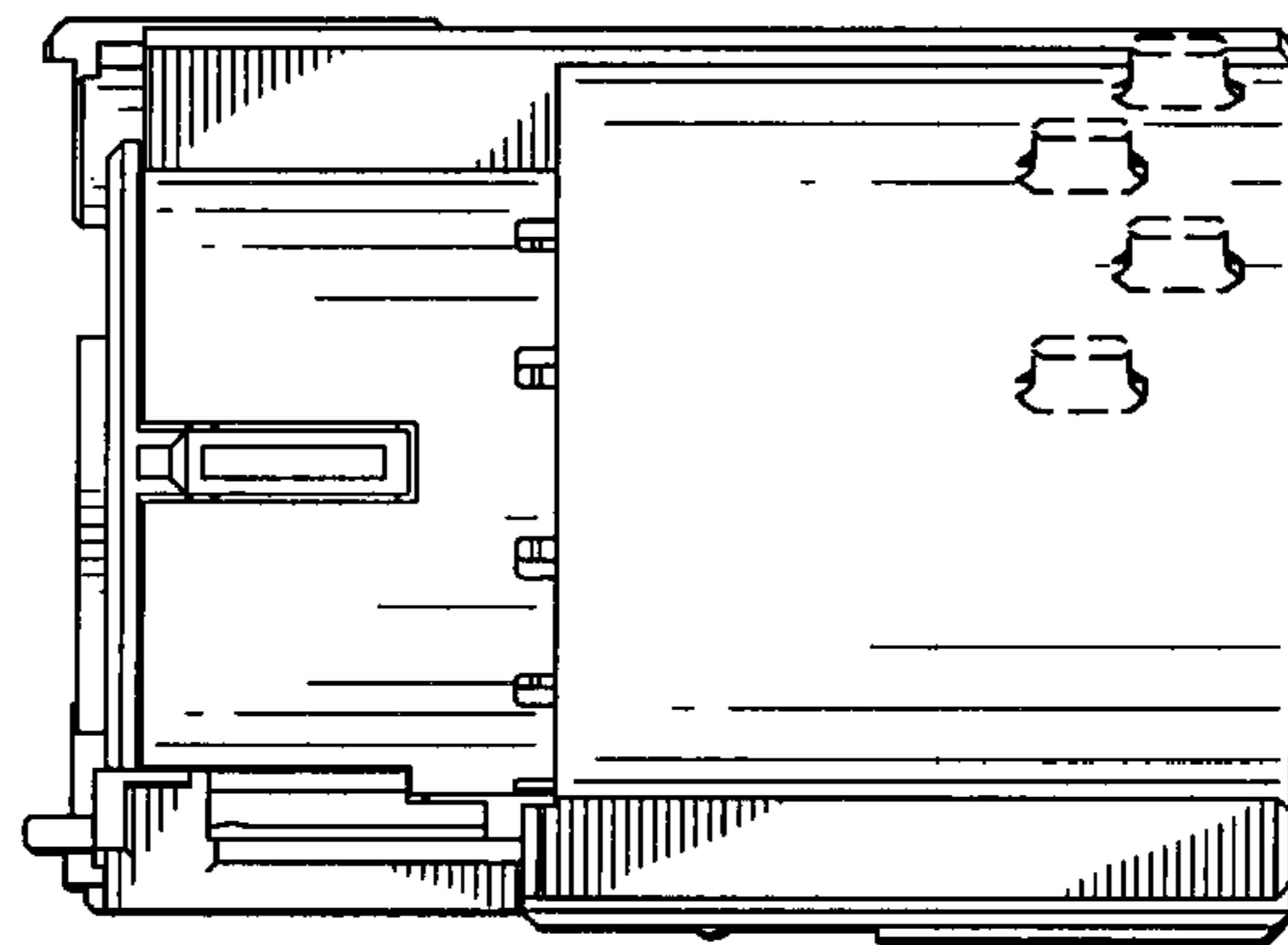


FIG. 6

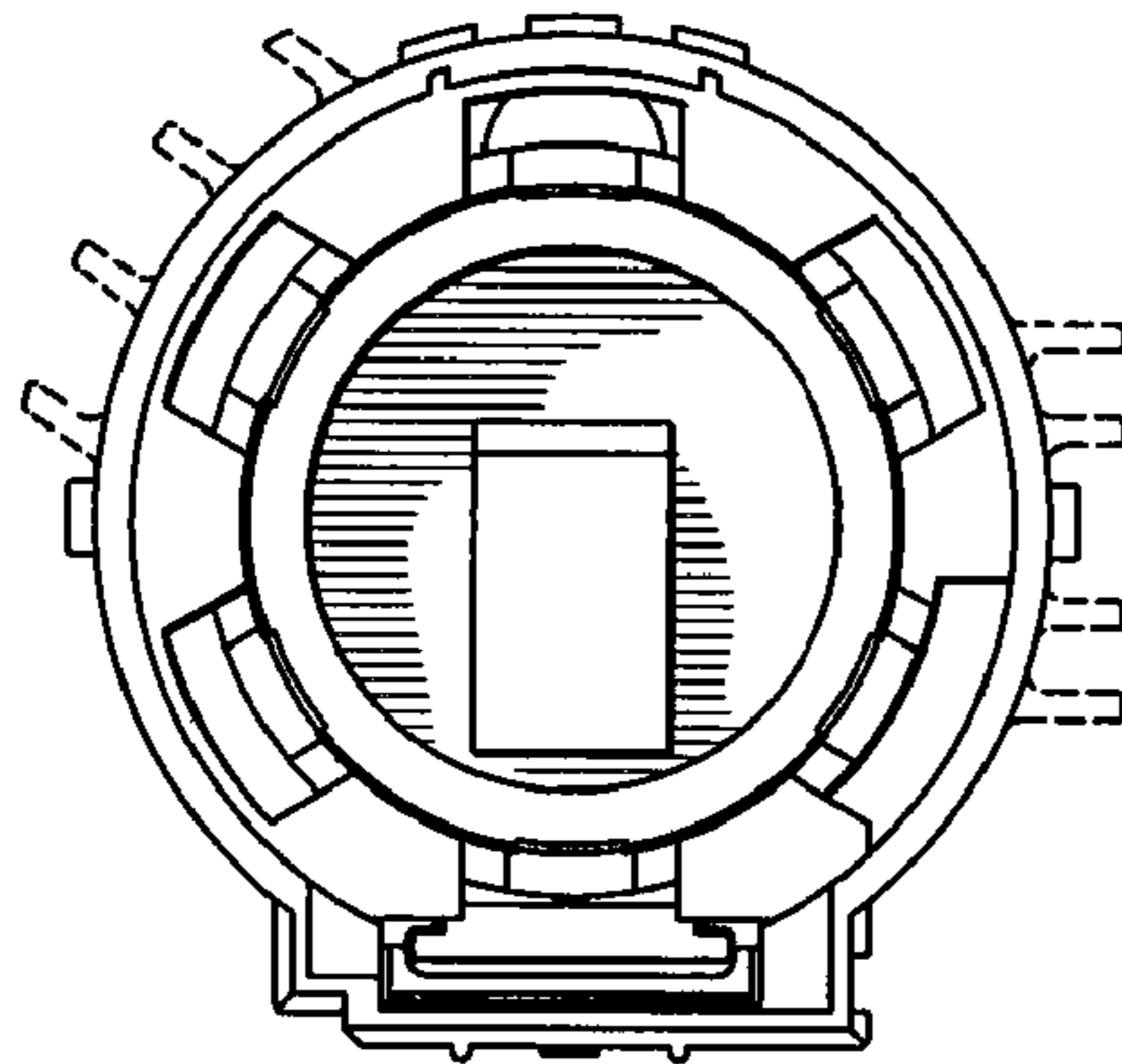


FIG. 7

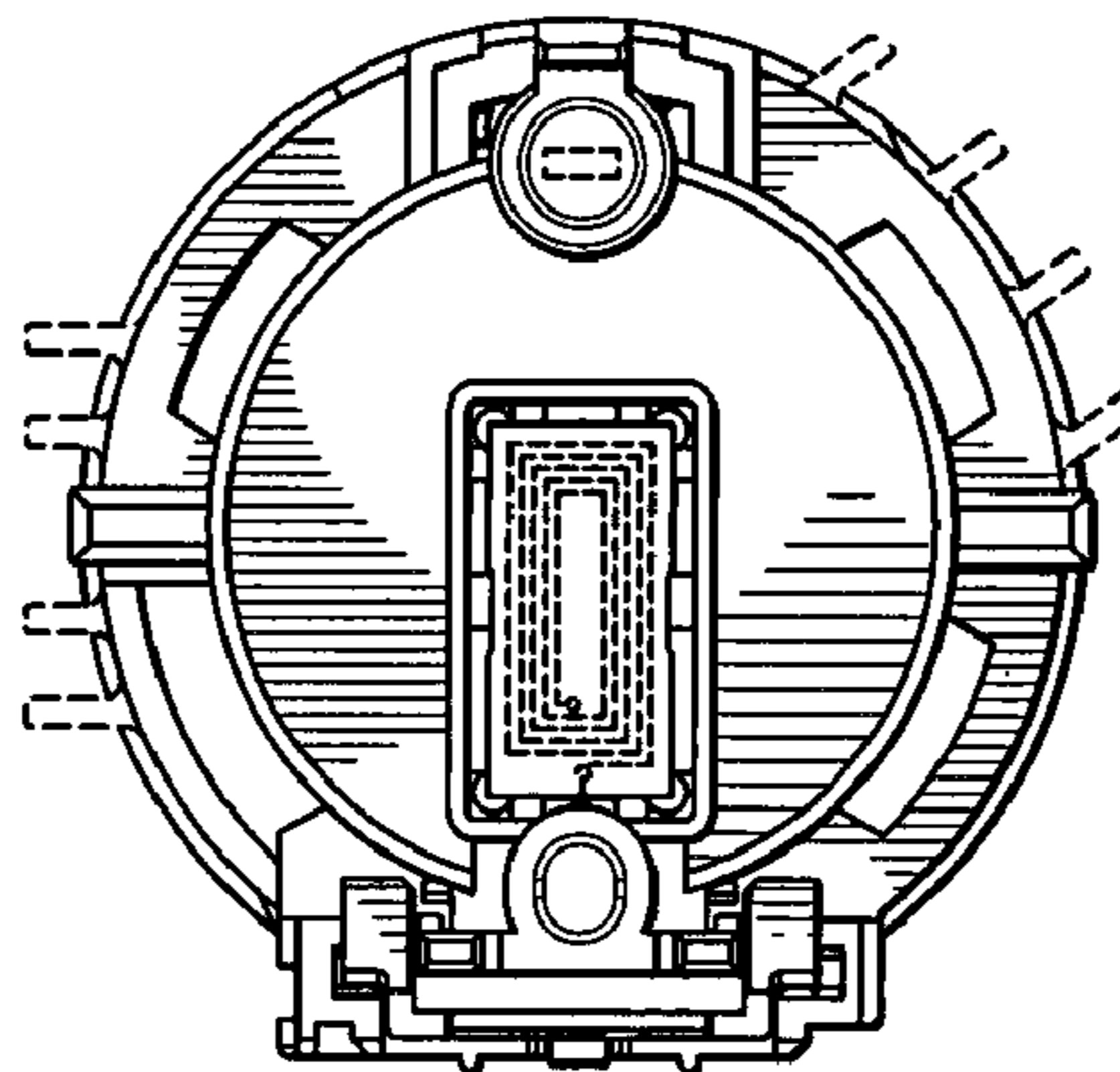


FIG. 8

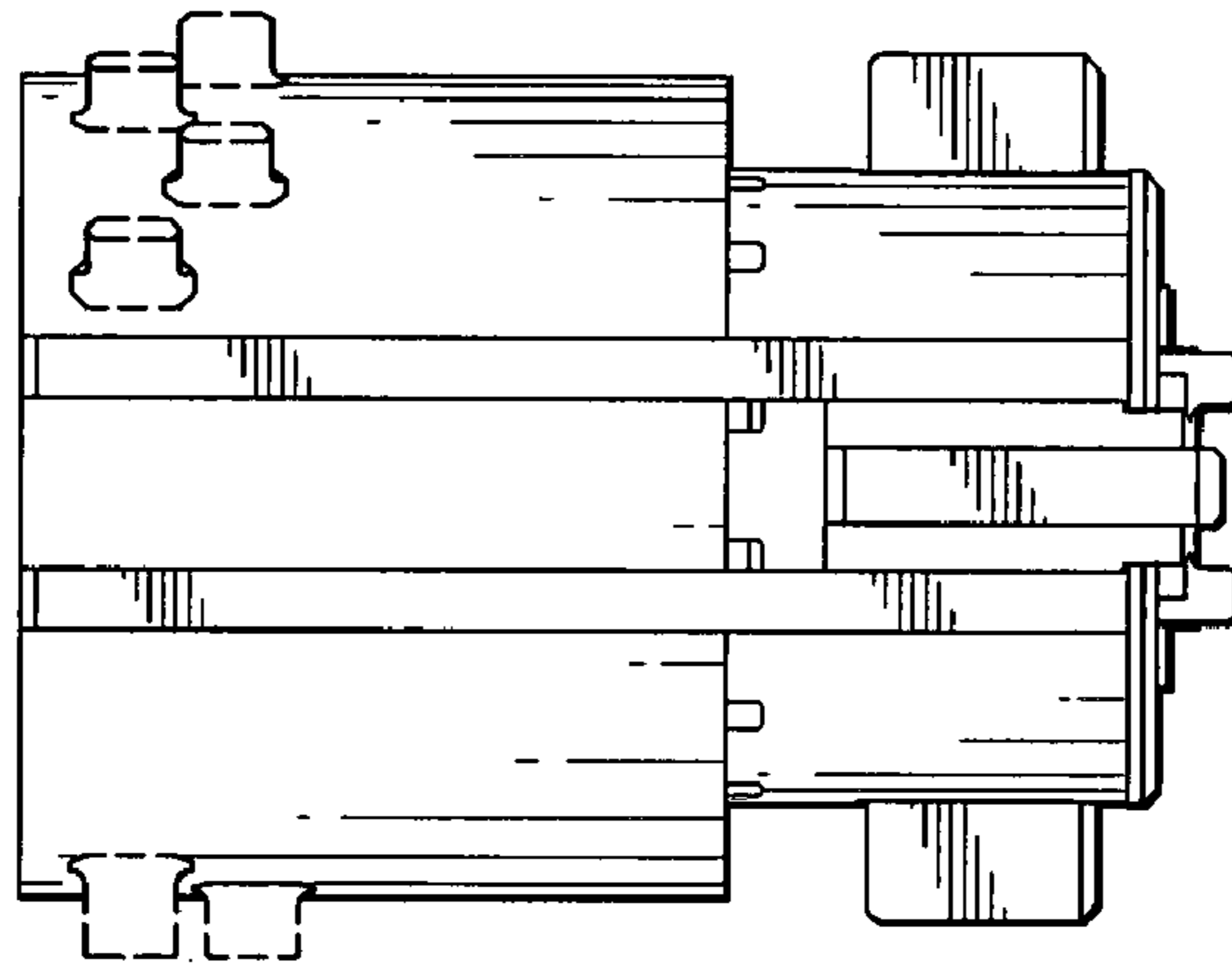


FIG. 9

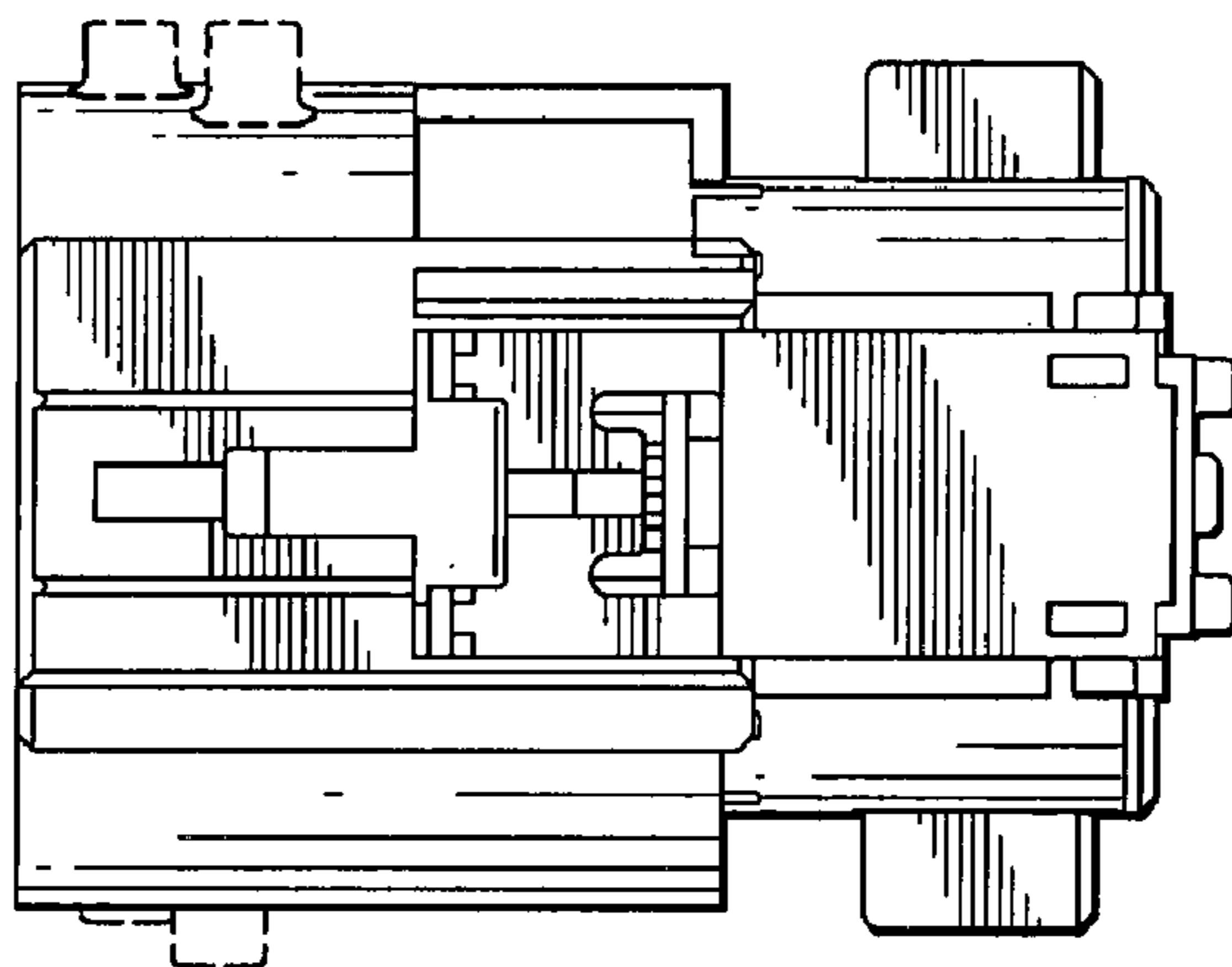


FIG. 10