



US00D636812S

(12) **United States Design Patent**
Taylor

(10) **Patent No.:** **US D636,812 S**

(45) **Date of Patent:** **** Apr. 26, 2011**

(54) **GUITAR BRIDGE**

(75) Inventor: **Robert D. Taylor**, El Cajon, CA (US)

(73) Assignee: **Taylor-Listug, Inc.**, El Cajon, CA (US)

(**) Term: **14 Years**

(21) Appl. No.: **29/328,341**

(22) Filed: **Nov. 21, 2008**

(51) **LOC (9) Cl.** **17-03**

(52) **U.S. Cl.** **D17/21**

(58) **Field of Classification Search** D17/14,
D17/18-21, 99; 84/267, 290-292, 298, 307
See application file for complete search history.

(56) **References Cited**

U.S. PATENT DOCUMENTS

D254,139	S	*	2/1980	Rickard	D17/20
D256,804	S	*	9/1980	Fender	D17/21
4,281,576	A	*	8/1981	Fender	84/298
D269,440	S	*	6/1983	Fender	D17/21
4,506,585	A	*	3/1985	Desmond	84/298
D304,341	S	*	10/1989	Gressett et al.	D17/21

D468,760	S	*	1/2003	Powers et al.	D17/20
D496,386	S	*	9/2004	Steinberger	D17/20
6,875,910	B2	*	4/2005	Naimish	84/298

* cited by examiner

Primary Examiner — Ian Simmons

Assistant Examiner — Rashida Johnson

(74) *Attorney, Agent, or Firm* — Peter K. Hahn; Luce, Forward, Hamilton & Scripps, LLP

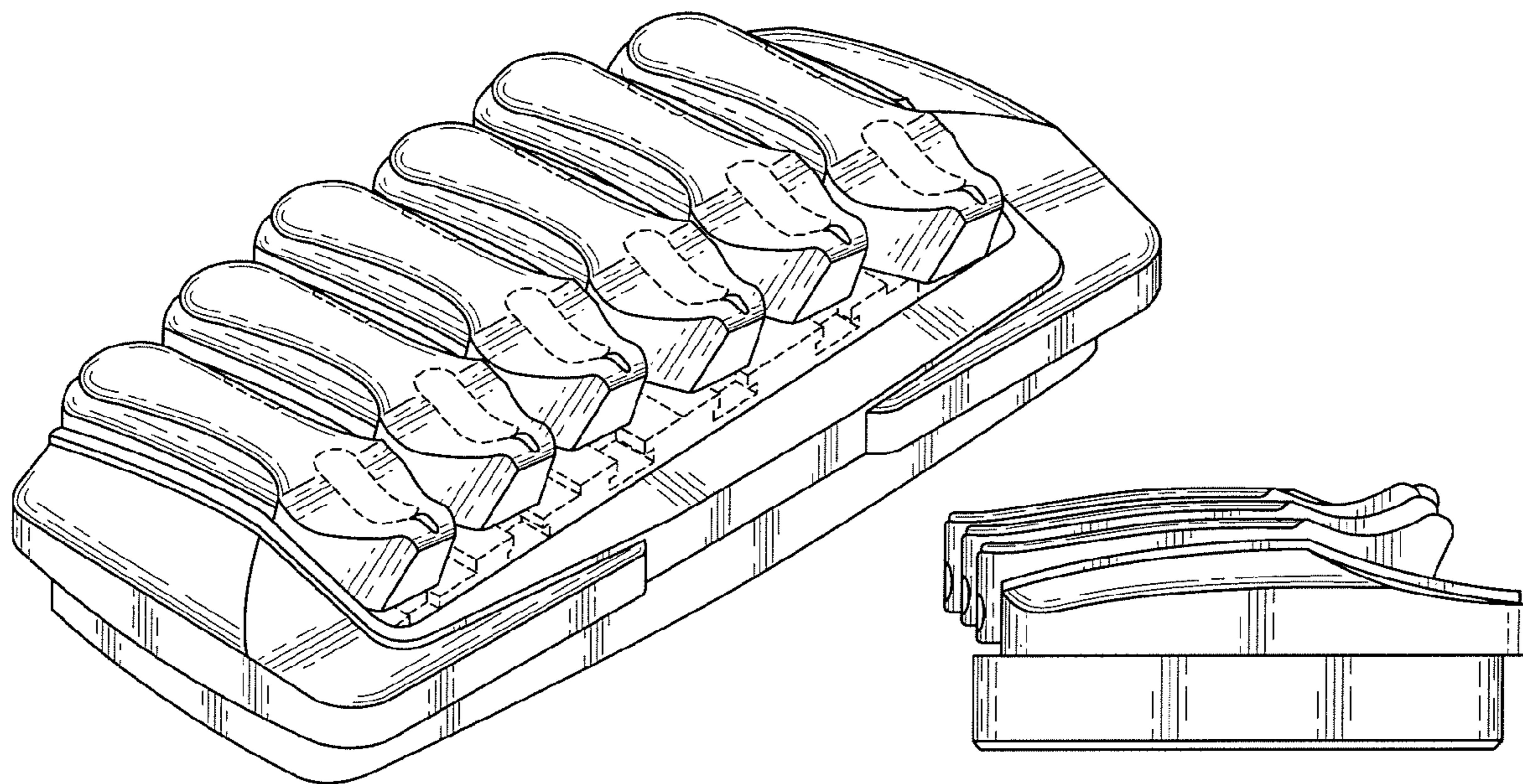
(57) **CLAIM**

The ornamental design for a guitar bridge, as shown and described.

DESCRIPTION

FIG. 1 is a perspective view of a guitar bridge showing my new design;
FIG. 2 is a top plan view thereof;
FIG. 3 is a front elevational view thereof;
FIG. 4 is a bottom plan view thereof;
FIG. 5 is a rear elevational view thereof;
FIG. 6 is a left side elevational view thereof; and,
FIG. 7 is a right side elevational view thereof.
The broken lines in FIGS. 1, 2 and 5 represent the portions of the guitar bridge that form no part of the claimed design.

1 Claim, 3 Drawing Sheets



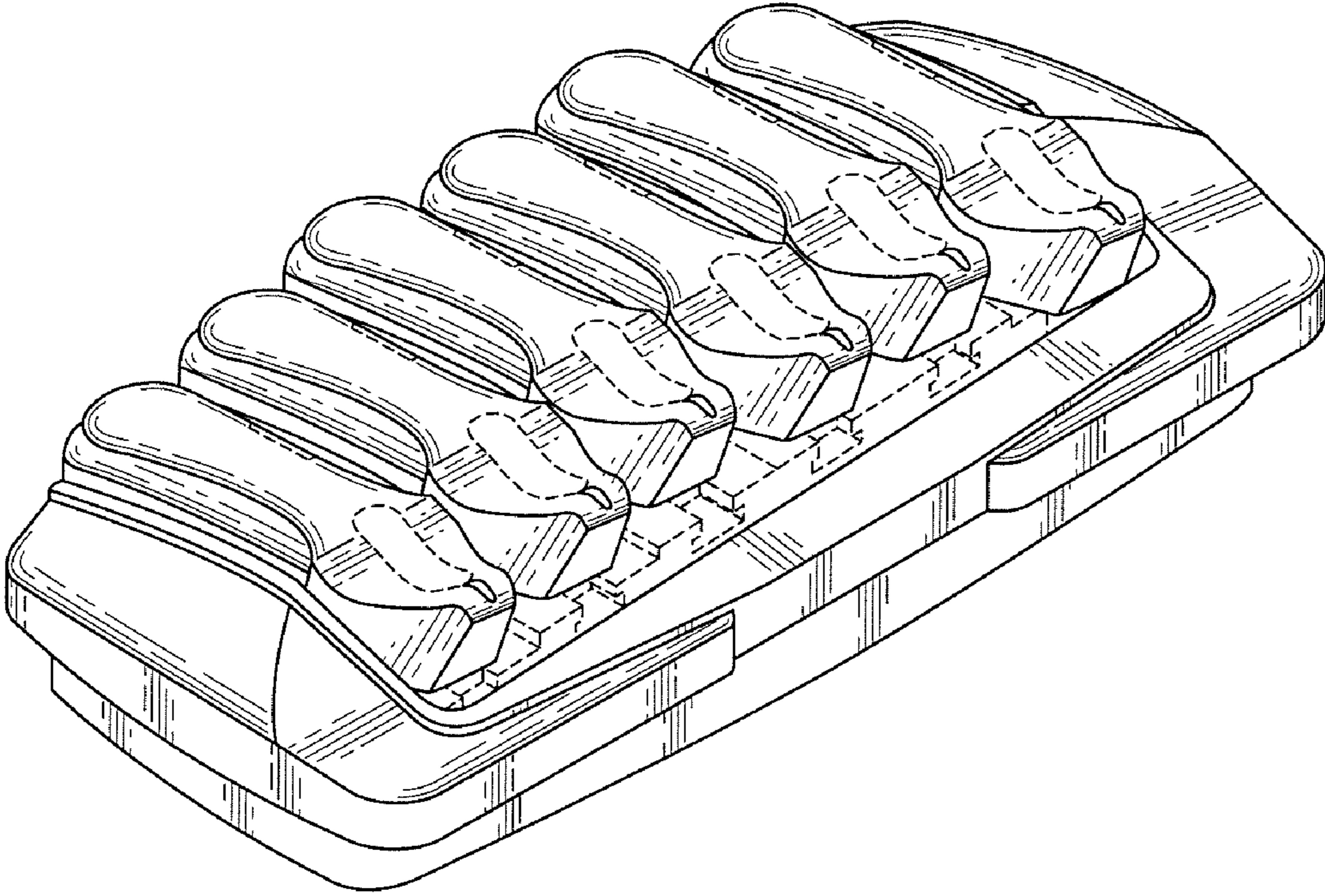


FIG. 1

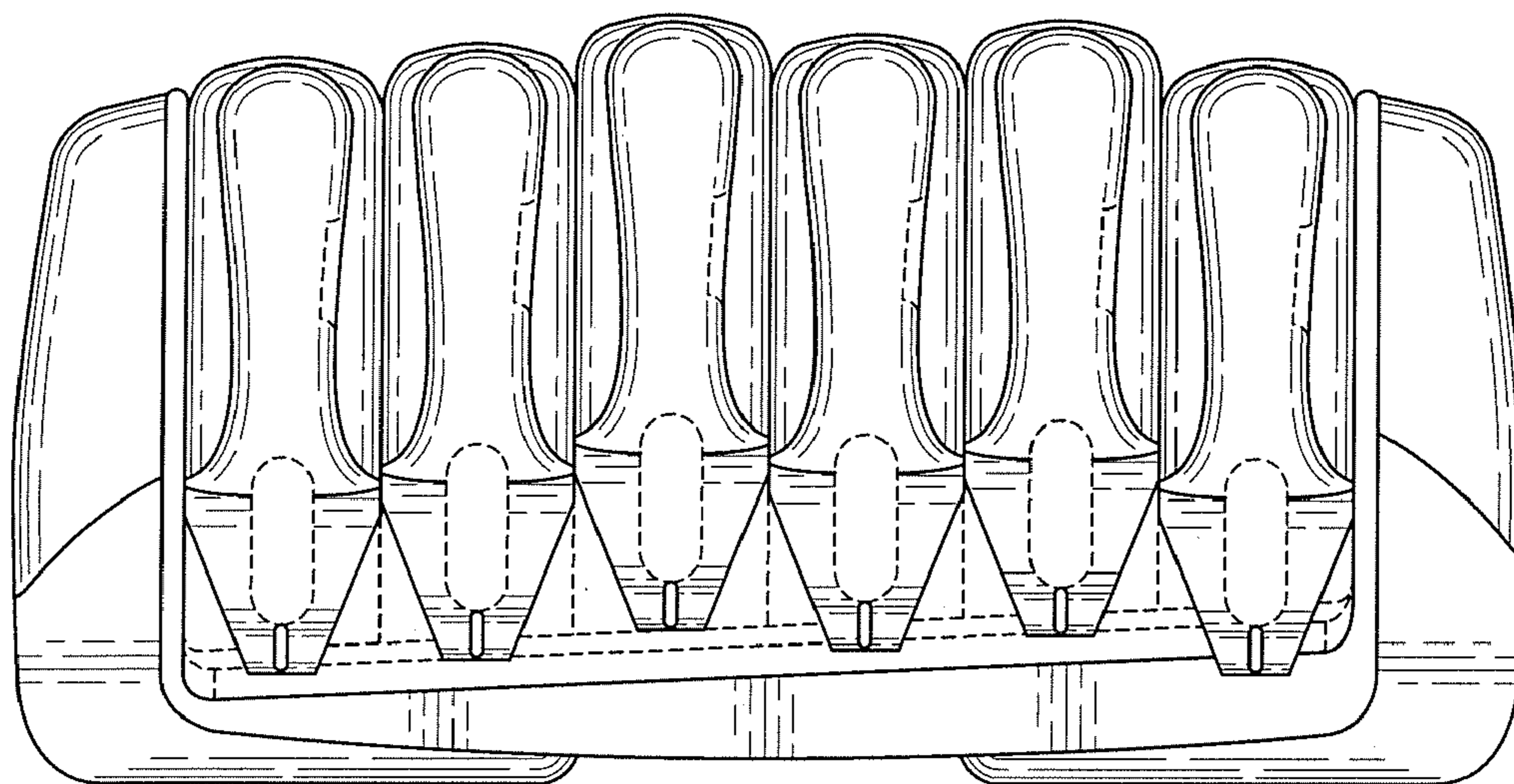


FIG. 2

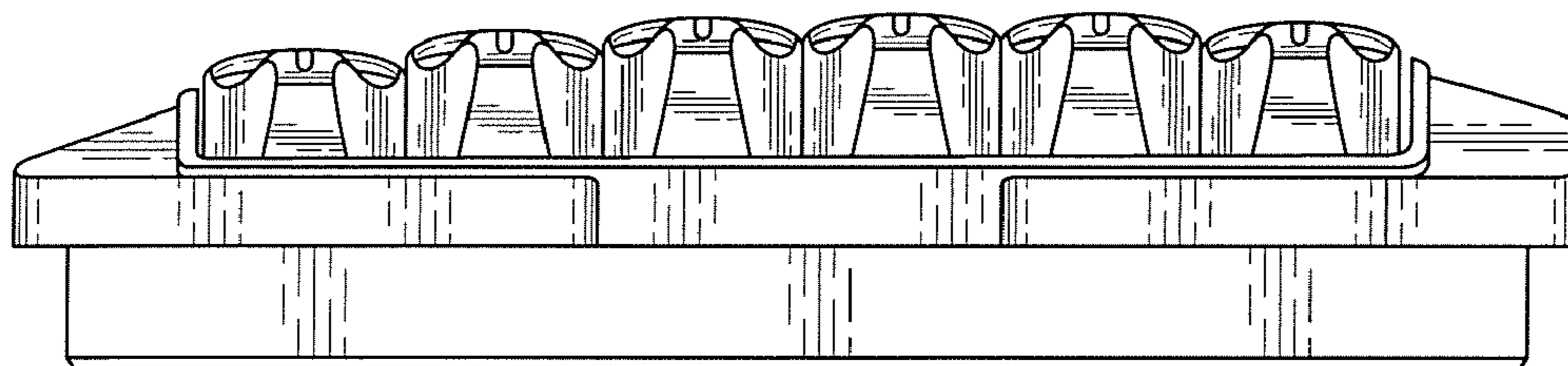


FIG. 3

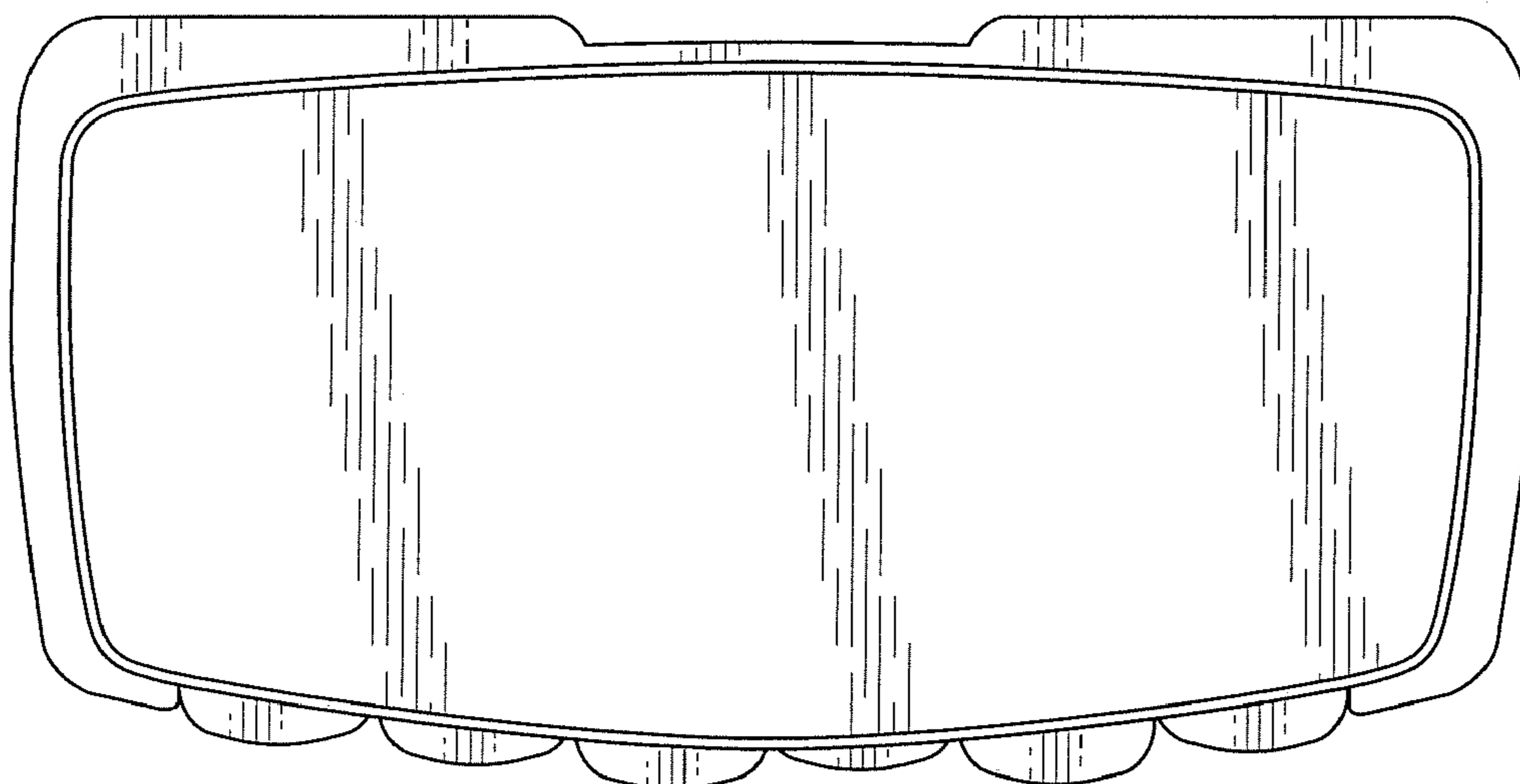


FIG. 4

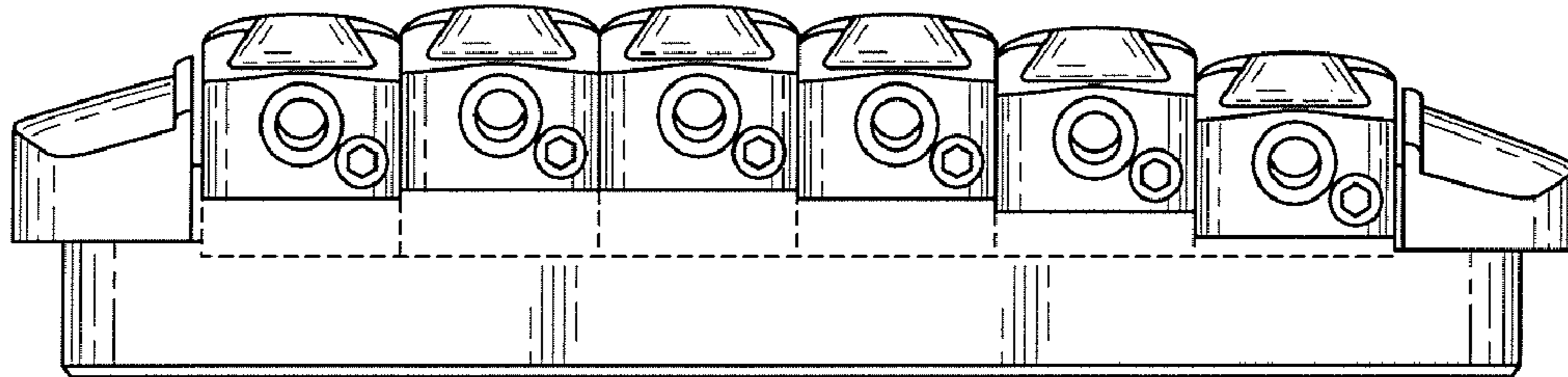


FIG. 5

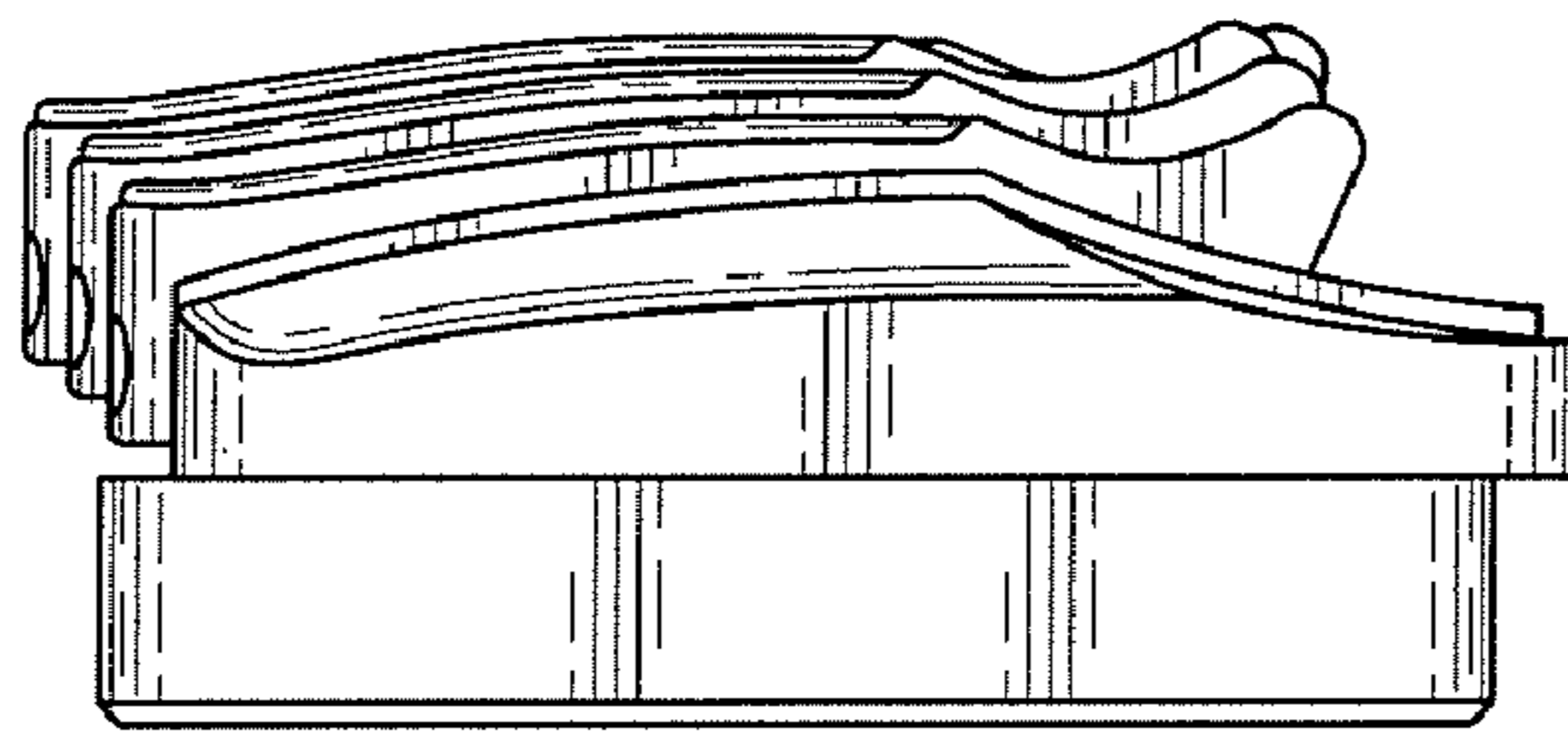


FIG. 6

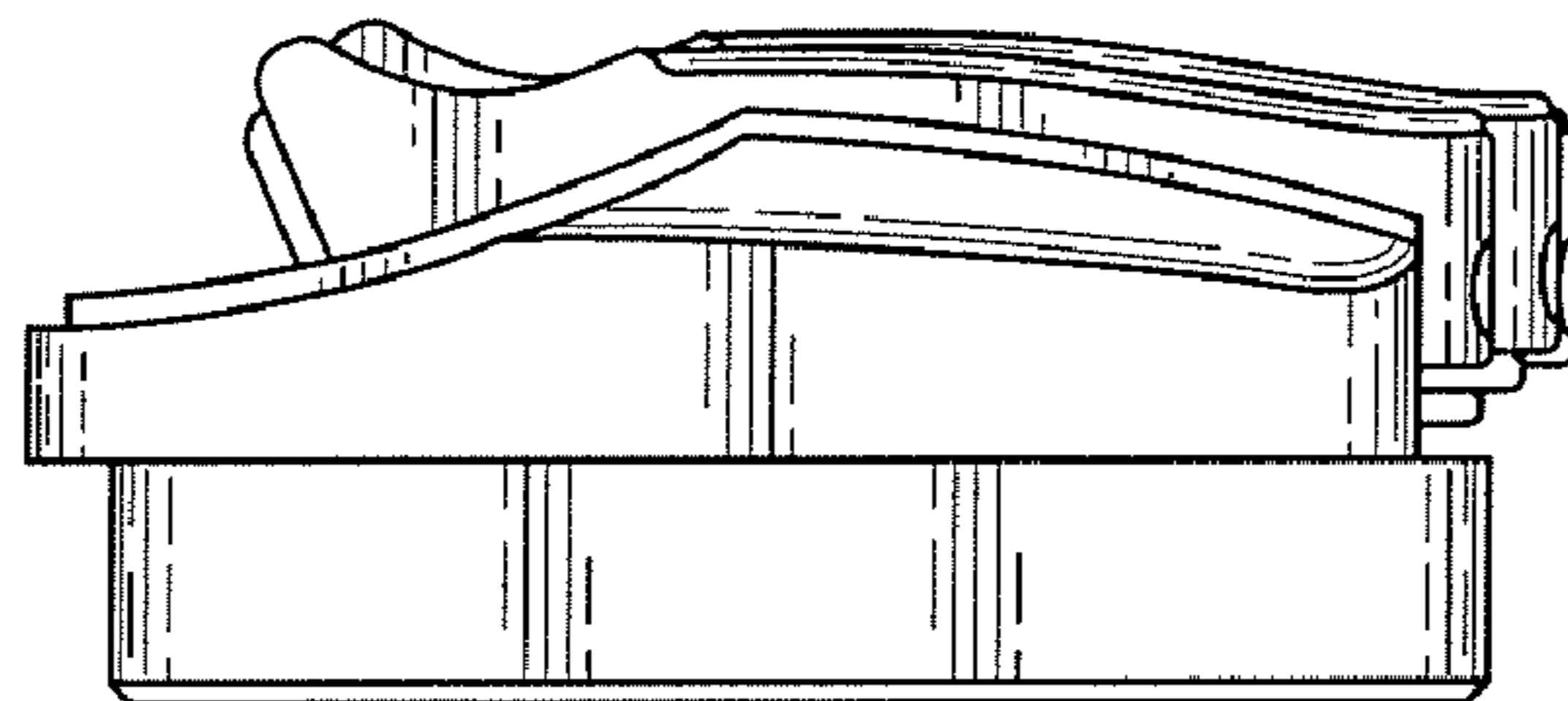


FIG. 7