



US00D636811S

(12) **United States Design Patent**
Gonzalez

(10) **Patent No.:** **US D636,811 S**
(45) **Date of Patent:** **** Apr. 26, 2011**

(54) **DECORATIVE ELEMENT FOR SUNGLASSES**

(75) Inventor: **Alvaro Gonzalez**, Florence (IT)

(73) Assignee: **J. Choo Limited**, London (GB)

(**) Term: **14 Years**

(21) Appl. No.: **29/348,976**

(22) Filed: **Feb. 25, 2010**

(30) **Foreign Application Priority Data**

Jan. 21, 2010 (EM) 001659335-0001

(51) **LOC (9) Cl.** **16-06**

(52) **U.S. Cl.** **D16/335; D16/321**

(58) **Field of Classification Search** D16/101,
D16/300-342; D29/109-110; D24/110.2;
351/41, 44, 51-52, 62, 158, 92, 103-123,
351/140, 153, 45-46; 2/426-432, 447-449,
2/441, 434-437, 13, 15; D21/483, 659-661,
D21/598

See application file for complete search history.

(56) **References Cited**

U.S. PATENT DOCUMENTS

2,807,852 A * 10/1957 Rave 24/197
D348,680 S * 7/1994 Luzlbauer D16/321
D348,892 S * 7/1994 Luzlbauer D16/315
D540,369 S * 4/2007 Mouclier D16/315
D551,863 S 10/2007 Gonzalez
D555,703 S * 11/2007 Damen D16/315

D559,536 S 1/2008 Gonzalez
7,338,157 B1 * 3/2008 Leung 351/153
D596,660 S 7/2009 Gonzalez
D602,979 S * 10/2009 Della Valle D16/334
D616,488 S 5/2010 Gonzalez
D617,367 S * 6/2010 Gonzalez D16/335

* cited by examiner

Primary Examiner — Raphael Barkai

(74) *Attorney, Agent, or Firm* — Fross Zelnick Lehrman & Zissu, P.C.; Lawrence E. Apolzon, Esq.

(57) **CLAIM**

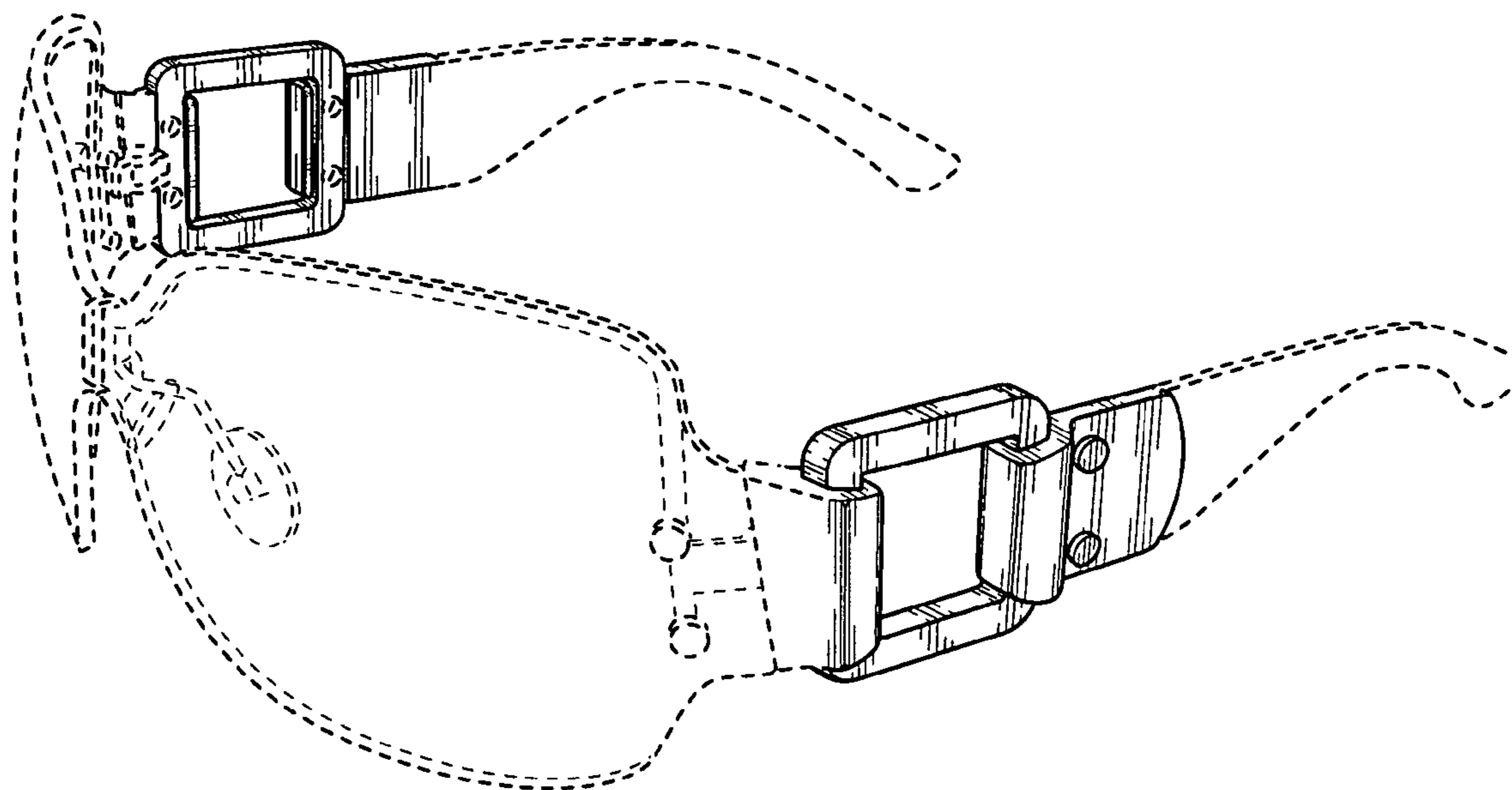
The ornamental design for a decorative element for sunglasses, as shown and described.

DESCRIPTION

FIG. 1 is a front perspective view of decorative element for sunglasses showing my new design;
FIG. 2 is a left side view of the sunglasses shown in FIG. 1;
FIG. 3 is a right side view of the sunglasses shown in FIG. 1;
FIG. 4 is a top view of the sunglasses shown in FIG. 1;
FIG. 5 is a bottom view of the sunglasses shown in FIG. 1;
FIG. 6 is a front view of the sunglasses shown in FIG. 1; and,
FIG. 7 is a rear view of the sunglasses shown in FIG. 1.

The broken line showing of the sunglasses frame, portions of the arms, rivets, screws, and hinges is for illustrative purposes only and forms no part of the claimed design.

1 Claim, 5 Drawing Sheets



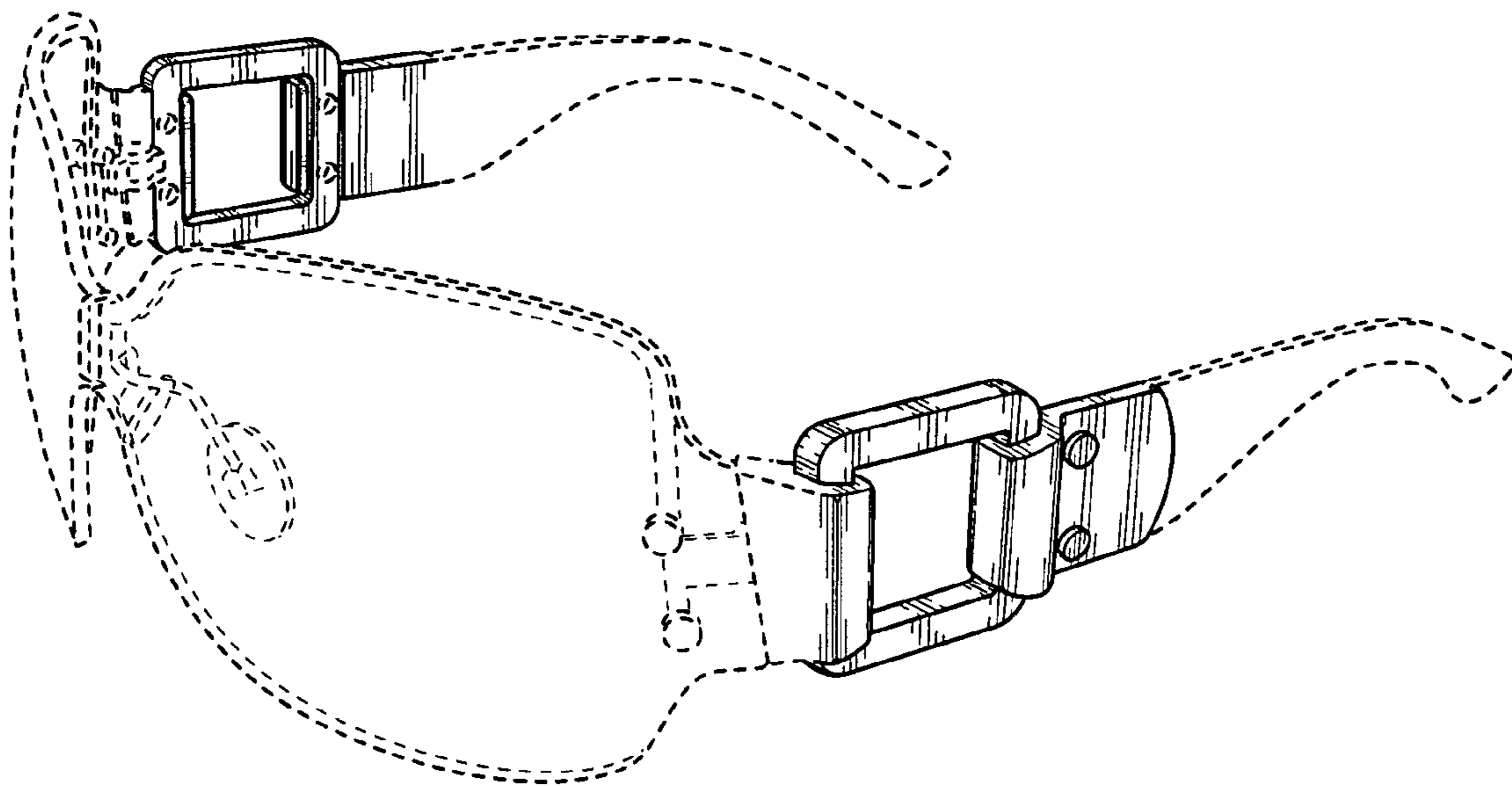


FIG. 1

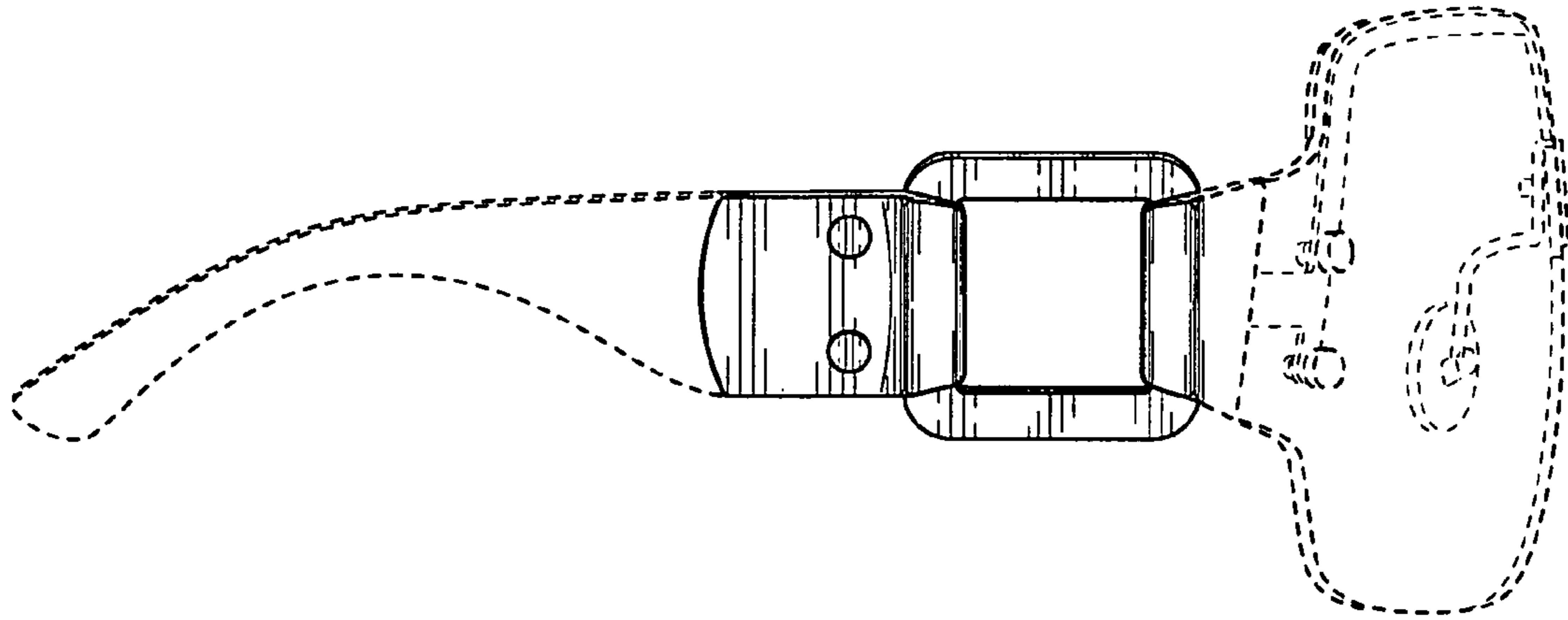


FIG. 2

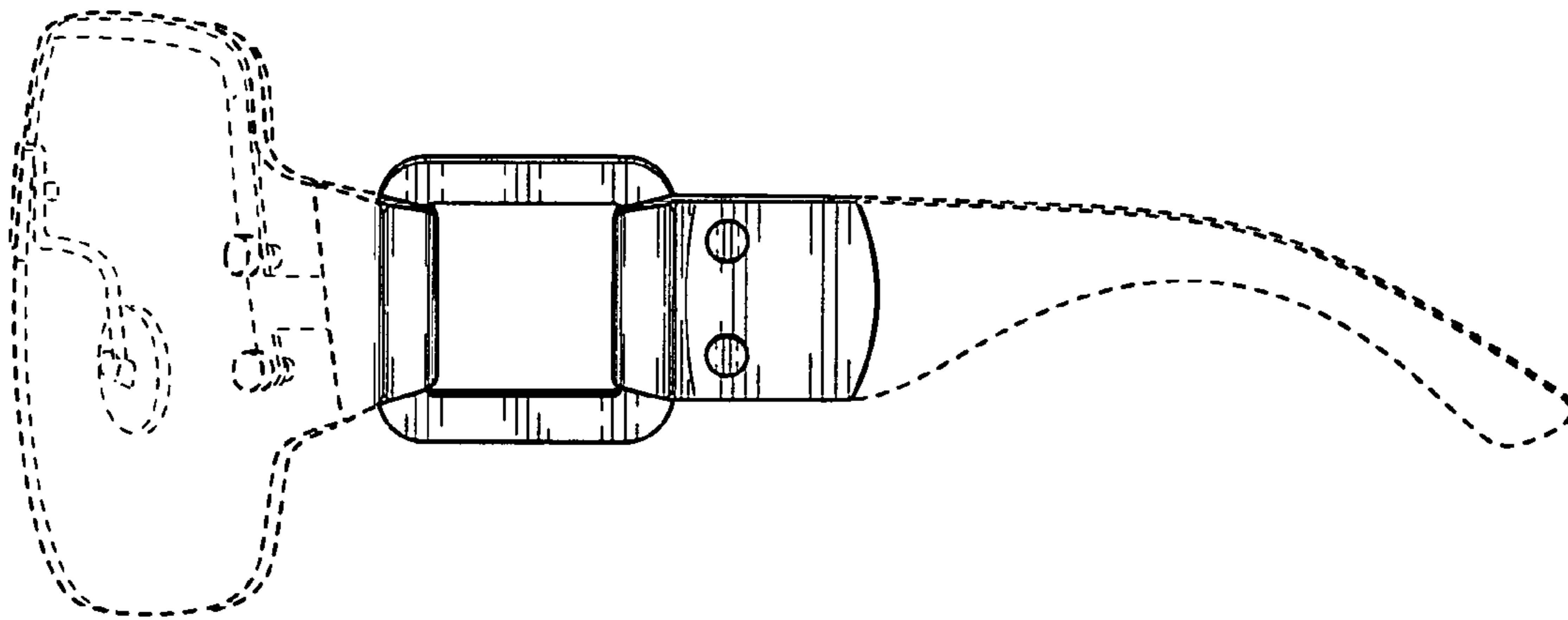


FIG. 3

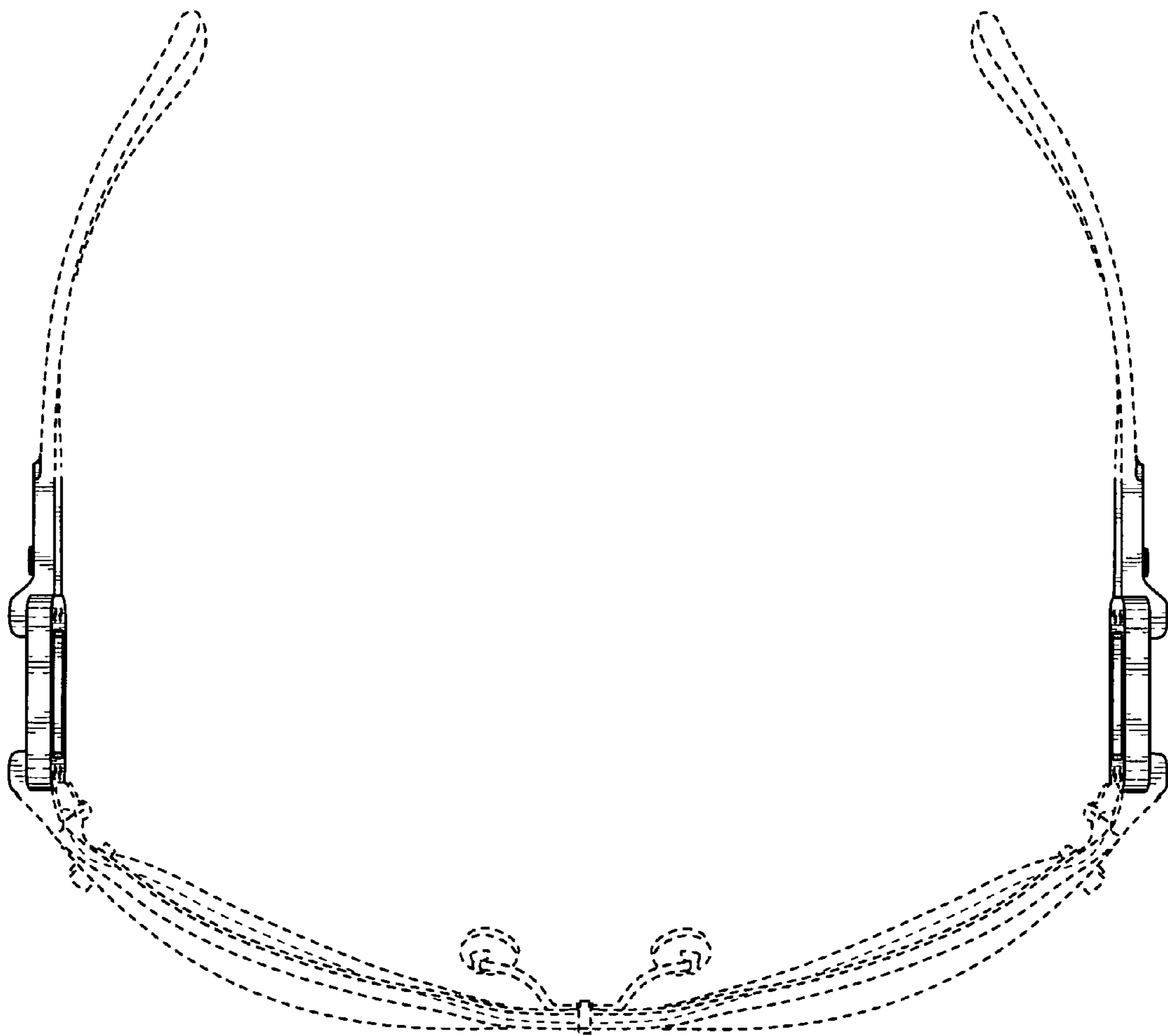


FIG. 4

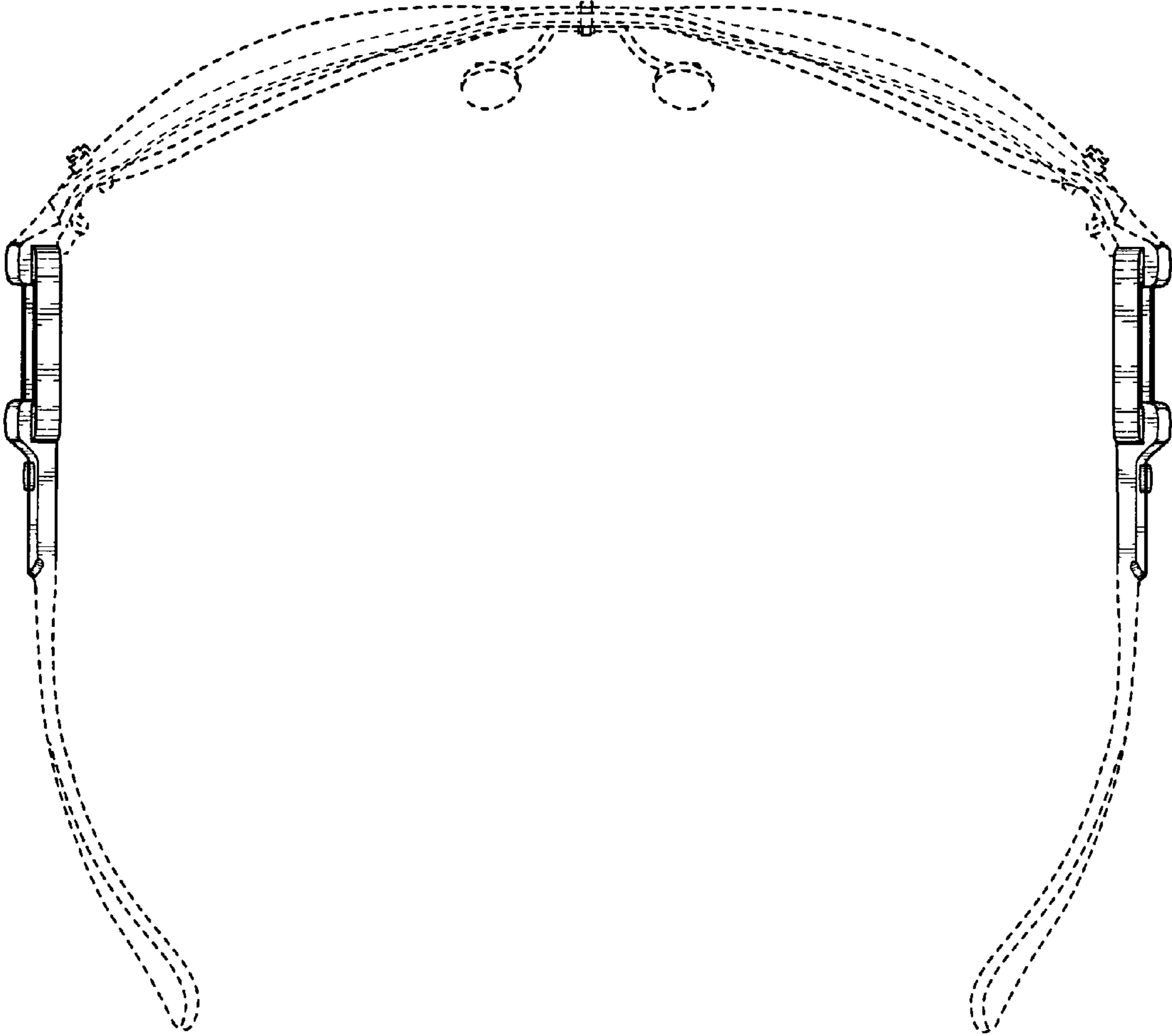


FIG. 5

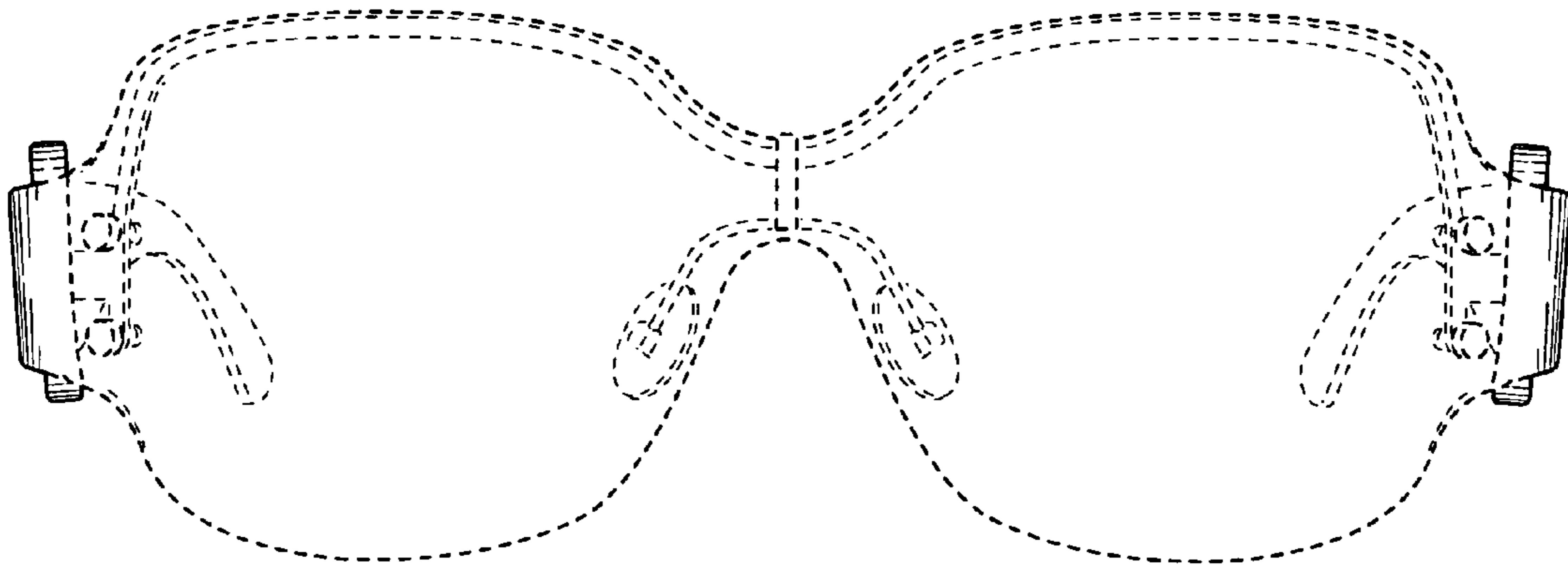


FIG. 6

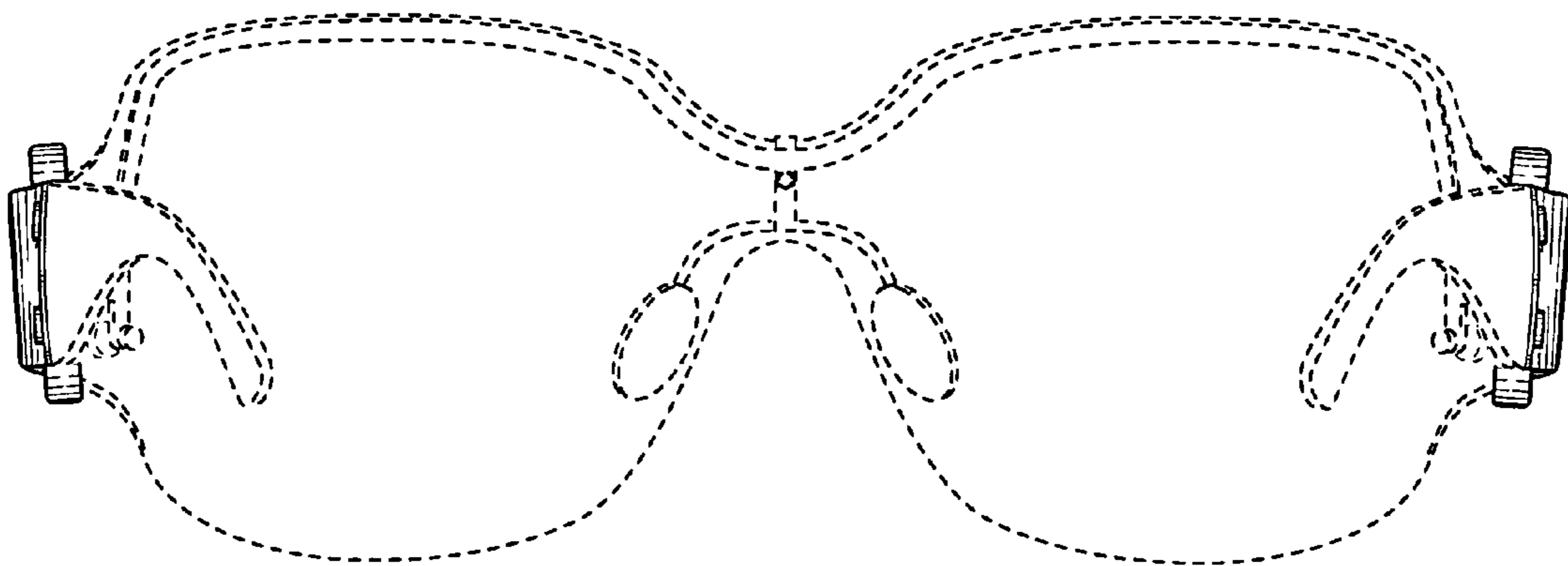


FIG. 7