



US00D636809S

(12) **United States Design Patent**  
**Hwang et al.**

(10) **Patent No.:** **US D636,809 S**  
(45) **Date of Patent:** **\*\* Apr. 26, 2011**

(54) **GLASSES FOR WATCHING 3D IMAGE**

(75) Inventors: **Sung-Ho Hwang**, Kyunggi-do (KR);  
**Jae-Seung Song**, Seoul (KR);  
**Jong-Hoon Lee**, Seoul (KR)

(73) Assignee: **Samsung Electronics Co., Ltd.**, Suwon,  
Kyunggi-do (KR)

(\*\*) Term: **14 Years**

(21) Appl. No.: **29/370,213**

(22) Filed: **Jun. 17, 2010**

(30) **Foreign Application Priority Data**

Apr. 30, 2010 (KR) ..... 30-2010-0019231

(51) **LOC (9) Cl.** ..... **16-06**

(52) **U.S. Cl.** ..... **D16/326**

(58) **Field of Classification Search** ..... D16/101,  
D16/300-342; D29/109-110; D24/110.2;  
351/41, 44, 51-52, 62, 158, 92, 103-123,  
351/140, 153, 45-46; 2/426-432, 447-449,  
2/441, 434-437, 13, 15; D21/483, 659-661  
See application file for complete search history.

(56) **References Cited**

**U.S. PATENT DOCUMENTS**

D552,154 S \* 10/2007 Arnette ..... D16/326  
D557,730 S \* 12/2007 Mage ..... D16/326

D561,810 S \* 2/2008 Fox et al. .... D16/325  
D567,843 S \* 4/2008 Miklitarian ..... D16/326  
D600,738 S \* 9/2009 Su et al. .... D16/300  
D606,113 S \* 12/2009 Daems et al. .... D16/326  
D616,486 S \* 5/2010 Carlow et al. .... D16/325  
D626,167 S \* 10/2010 Liu ..... D16/326

**OTHER PUBLICATIONS**

U.S. Appl. No. 29/370,229, Applicant: Sung-Ho Hwang, et al., filed  
Jun. 17, 2010 entitled Glasses for Watching 3D Image.

\* cited by examiner

*Primary Examiner* — Raphael Barkai

(74) *Attorney, Agent, or Firm* — Flynn, Thiel, Boutell &  
Tanis, P.C.

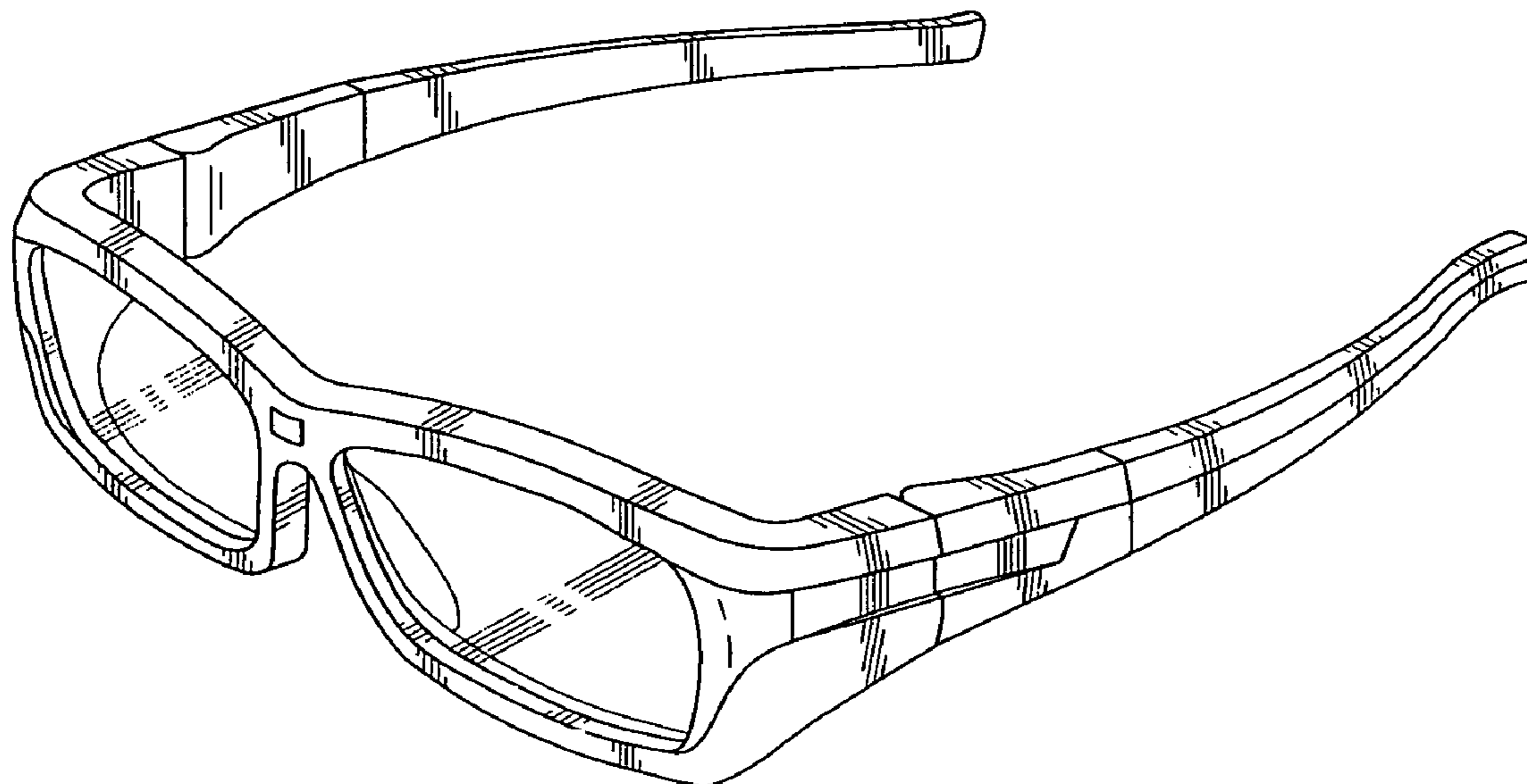
(57) **CLAIM**

The ornamental design for a glasses for watching 3D image,  
as shown and described.

**DESCRIPTION**

FIG. 1 is a top front perspective view of a glasses for watching  
3D image showing our new design;  
FIG. 2 is a front elevational view thereof;  
FIG. 3 is a rear elevational view thereof;  
FIG. 4 is a left side elevational view thereof;  
FIG. 5 is a right side elevational view thereof;  
FIG. 6 is a top plan view thereof; and,  
FIG. 7 is a bottom plan view thereof.

**1 Claim, 3 Drawing Sheets**



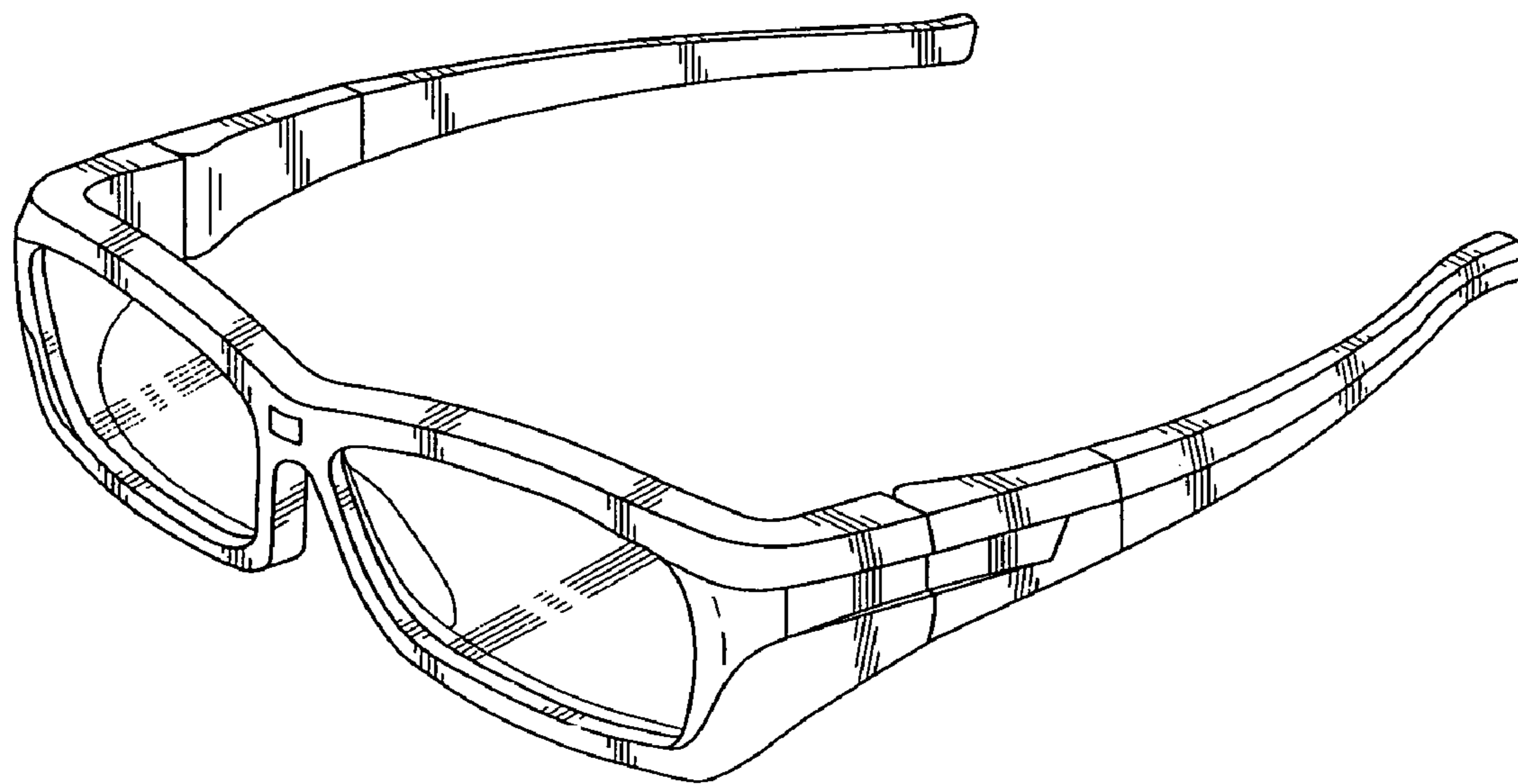


FIG. 1

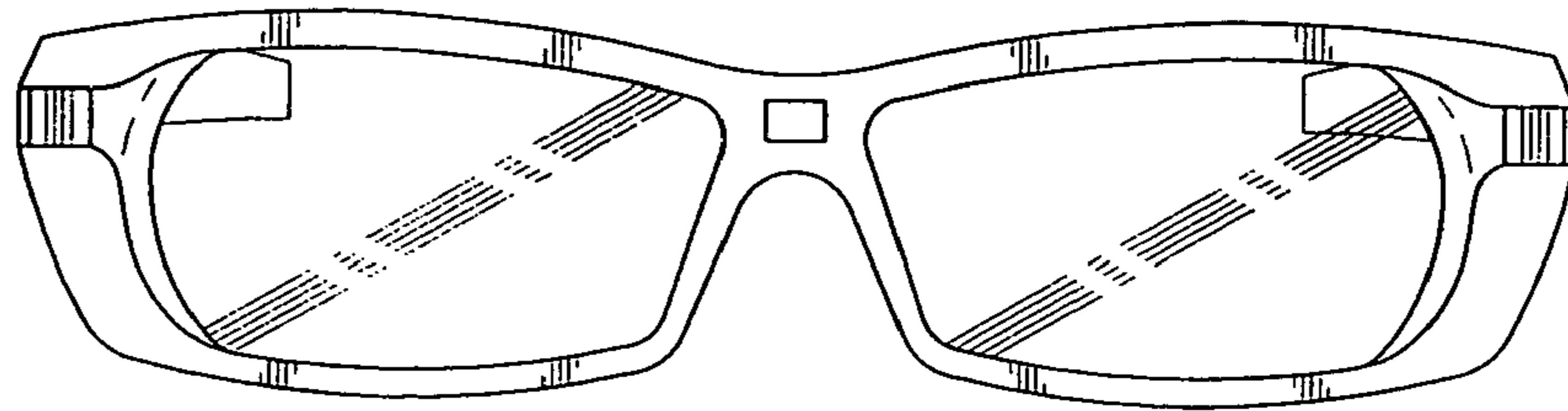


FIG. 2

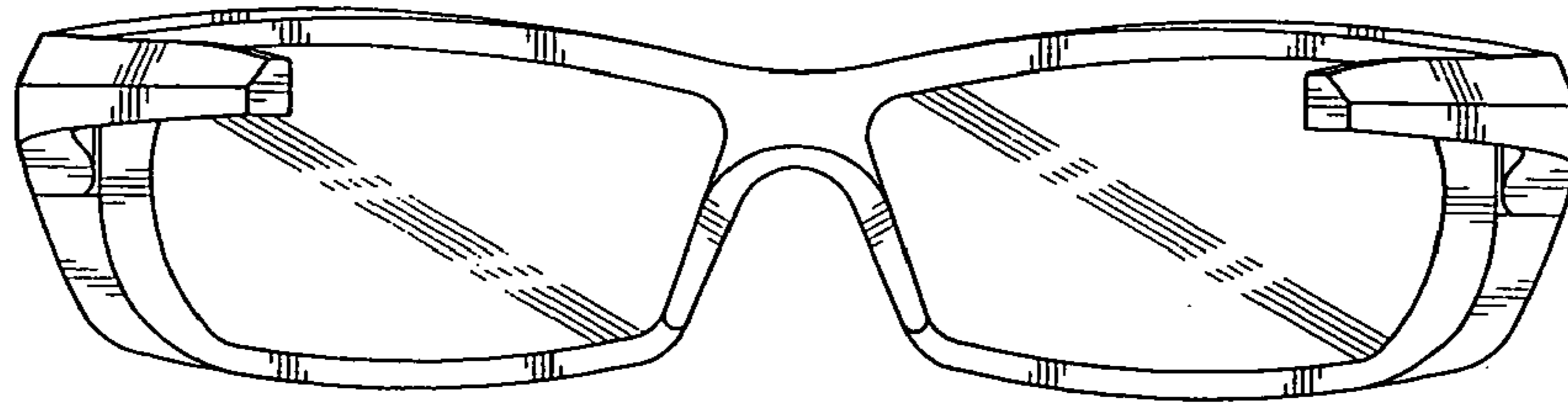


FIG. 3

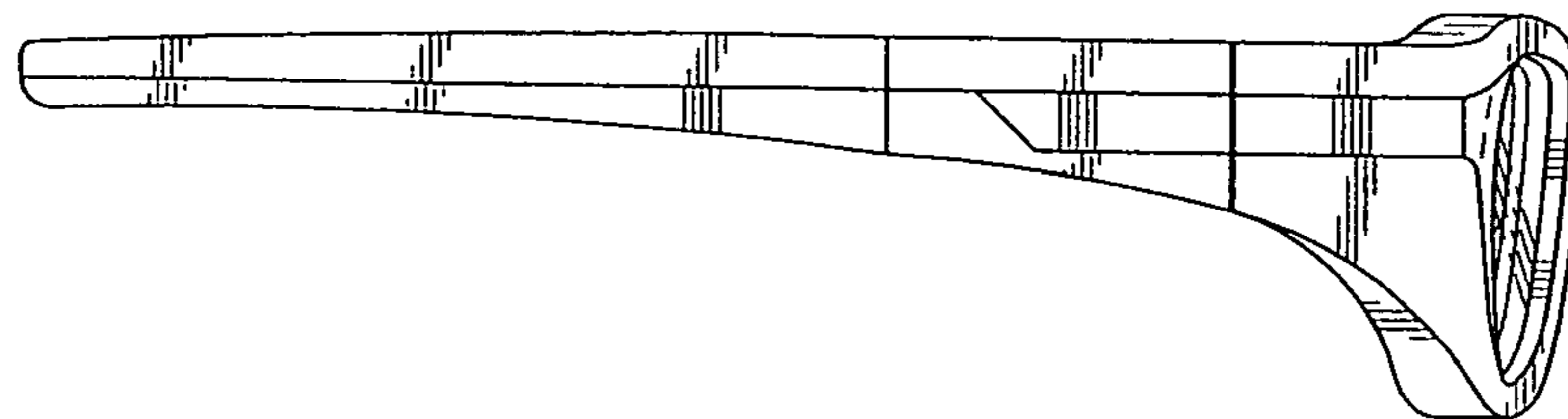


FIG. 4

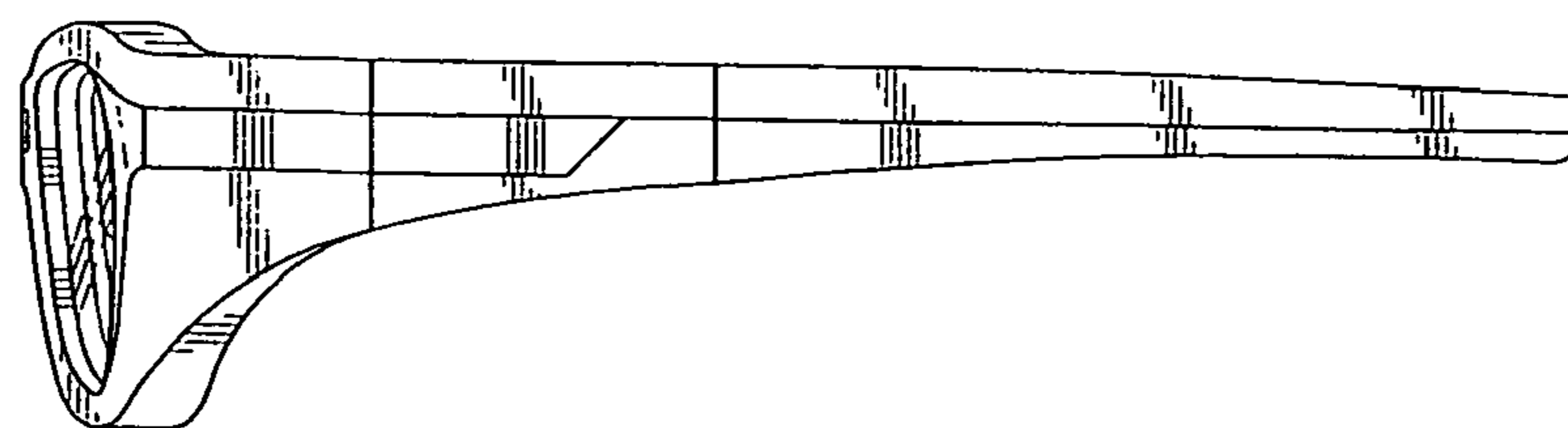


FIG. 5

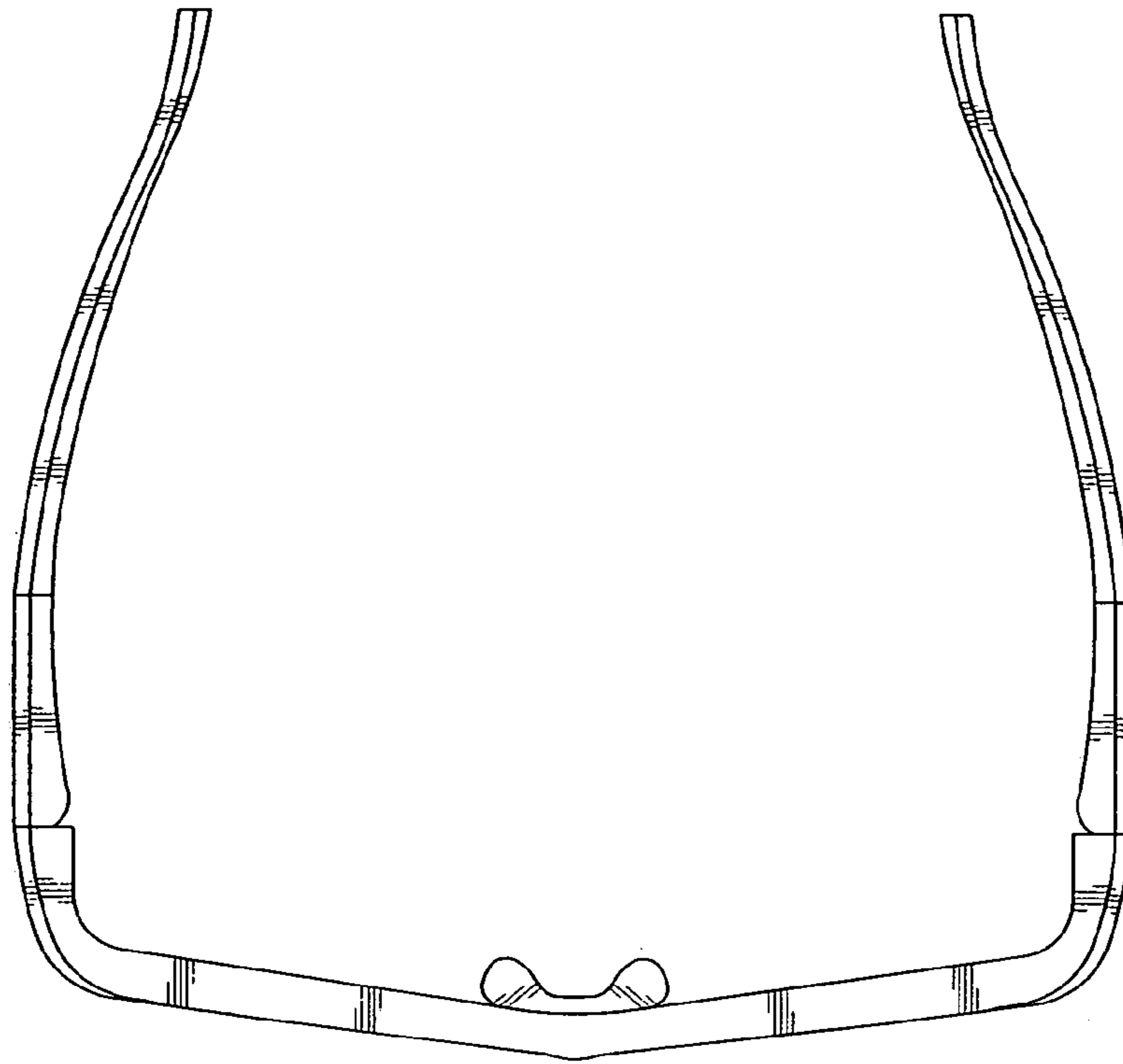


FIG. 6

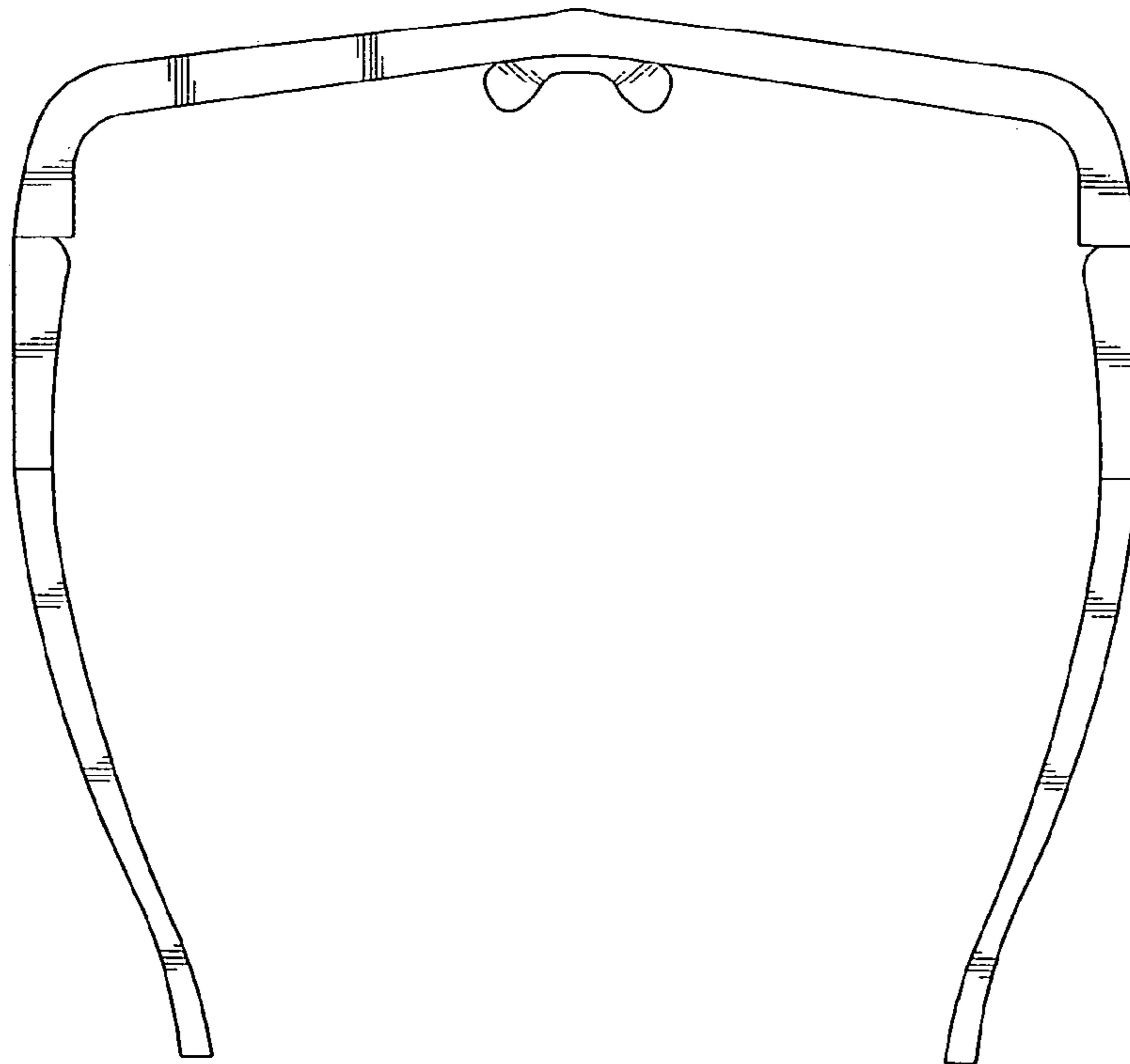


FIG. 7