

US00D636805S

(12) **United States Design Patent**
Annebäck et al.

(10) **Patent No.:** **US D636,805 S**

(45) **Date of Patent:** **** *Apr. 26, 2011**

(54) **SURVEILLANCE CAMERA WITH SOLAR AND HEAT PROTECTION**

(75) Inventors: **Elin Annebäck**, Malmö (SE); **Morten Bergström**, Bjärred (SE); **Magnus Sjöberg**, Lomma (SE); **Samir Hélaoui**, Malmö (SE)

(73) Assignee: **Axis Aktiebolag**, Lund (SE)

(*) Notice: This patent is subject to a terminal disclaimer.

(**) Term: **14 Years**

(21) Appl. No.: **29/343,639**

(22) Filed: **Sep. 16, 2009**

(30) **Foreign Application Priority Data**

Mar. 30, 2009 (EM) 001113641

(51) **LOC (9) Cl.** **16-01**

(52) **U.S. Cl.** **D16/203**

(58) **Field of Classification Search** D16/200–204,
D16/218, 219; 348/143, 151, 373–376; 396/427,
396/535–541

See application file for complete search history.

(56) **References Cited**

U.S. PATENT DOCUMENTS

6,268,882	B1 *	7/2001	Elberbaum	348/151
D497,927	S *	11/2004	Arbuckle et al.	D16/203
D513,028	S *	12/2005	Maruyama	D16/203
D558,248	S *	12/2007	Togawa et al.	D16/203
D560,244	S *	1/2008	Naruki	D16/203
D594,048	S *	6/2009	Yamakawa	D16/203
7,651,281	B2 *	1/2010	Wen	348/373
7,661,890	B2 *	2/2010	Basho	396/427
D615,114	S *	5/2010	Arnold et al.	D16/203
7,841,782	B2 *	11/2010	Tatewaki	348/143

OTHER PUBLICATIONS

U.S. Appl. No. 29/343,634, filed Sep. 16, 2009, Anneback, et al.
AXIS 225FD Fixed Dome Network Camera, <http://www.axis.com/products/cam 225/>; Launched 2005; 2 pgs.

AXIS 233D Network Dome Camera; <http://www.axis.com/products/cam 233d/>; Launched 2007; 2 pgs.

ACM-3311; IP Fixed Dome; www.acti.com; Launched Mar. 2008; 2 pgs.

ACM-3401/ACM-3411; Megapixel IP Camera; www.acti.com; Launched Mar. 2008; 2 pgs.

ACM-3511 Megapixel IP Fixed Dome Camera with Vari-focal Lens; www.acti.com; Launched Mar. 2009; 2 pgs.

ACM-3011 IP Fixed Dome Camera; www.acti.com; Nov. 2008; 2 pgs.

AXIS 216MFD Network Camera; <http://www.axis.com/products/cam 216mfd/>; Launched 2006; 2 pgs.

AXIS 215 PTZ Network Camera; <http://www.axis.com/products/cam 215/>; Launched 2007; 2 pgs.

Other cameras with “wing”-design, Unknown company; camera seen at ISC West trade show Apr. 1-3, 2009, Las Vegas; 1 page.

* cited by examiner

Primary Examiner — Adir Aronovich

(74) *Attorney, Agent, or Firm* — Oblon, Spivak, McClelland, Maier & Neustadt, L.L.P.

(57) **CLAIM**

The ornamental design for a surveillance camera with solar and heat protection, as shown and described.

DESCRIPTION

FIG. 1 is a front, top, and right side perspective view of a surveillance camera with solar and heat protection;

FIG. 2 is a front, bottom, and right side perspective view thereof;

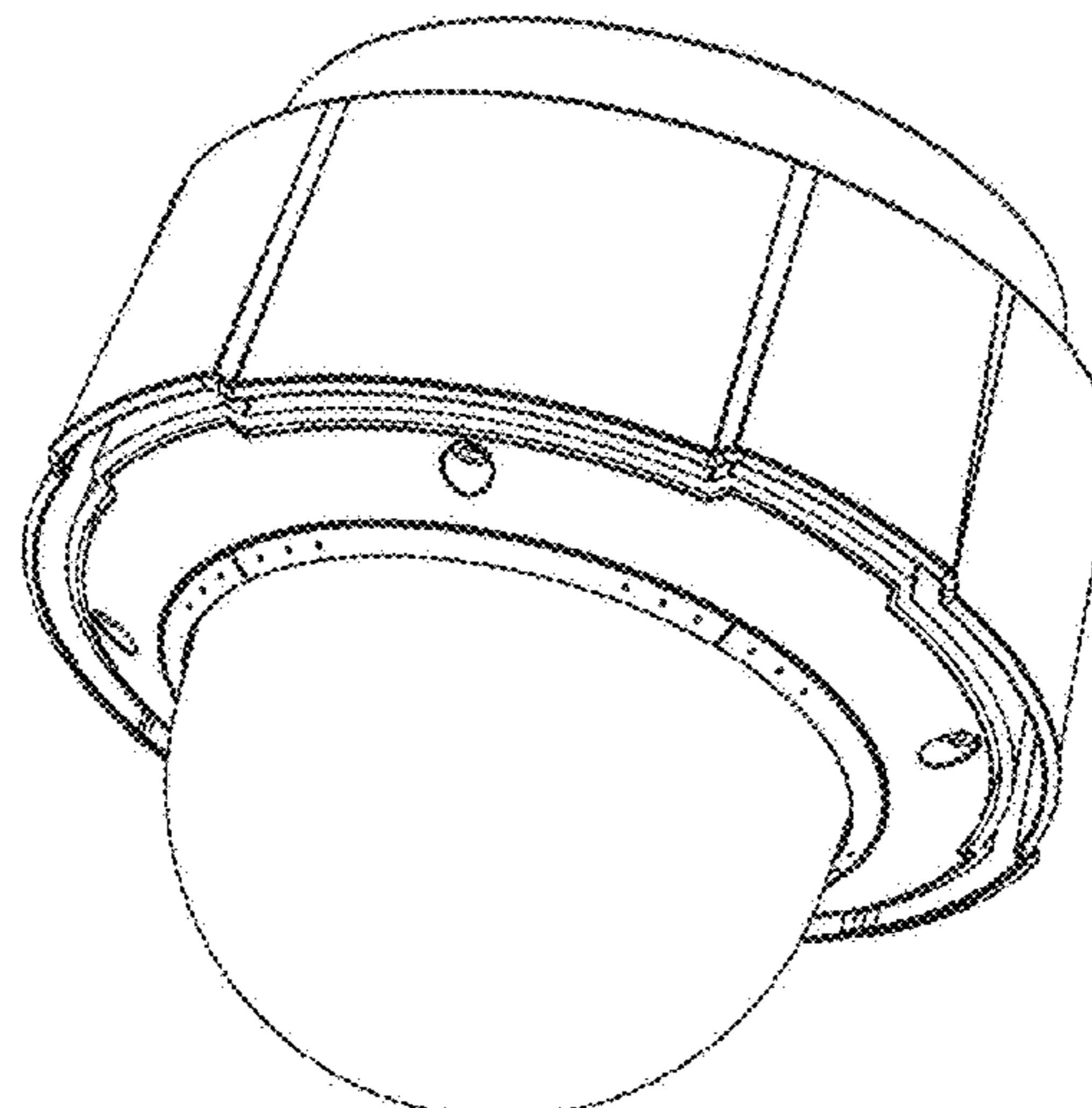
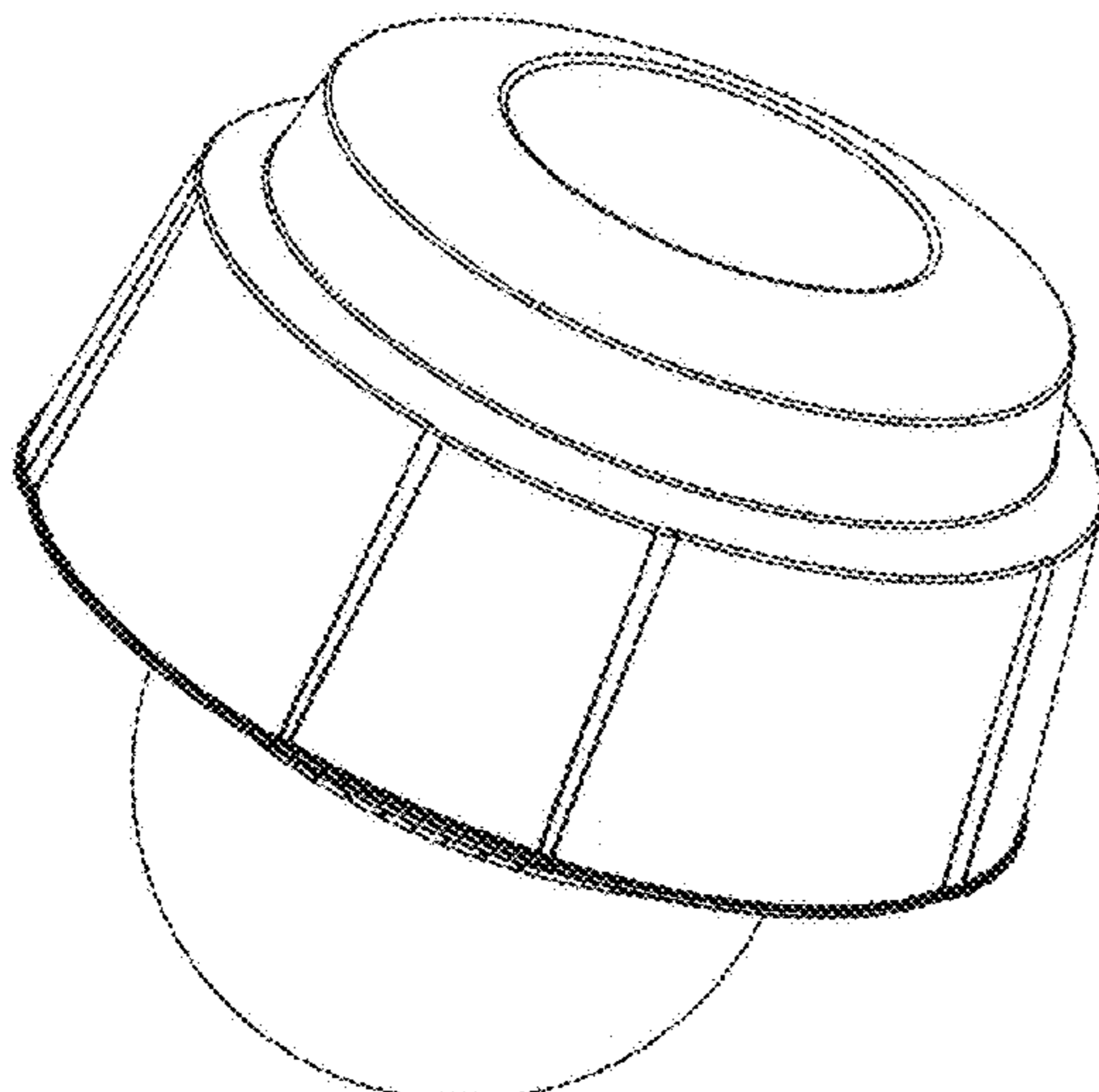
FIG. 3 is a front elevational view thereof, the rear elevational view, right side elevational view, and left side elevational view each being a mirror image of the front elevational view shown;

FIG. 4 is an elevational view thereof taken half way between the front elevational view and the right side elevational view;

FIG. 5 is a top plan view thereof; and,

FIG. 6 is a bottom plan view thereof.

1 Claim, 6 Drawing Sheets



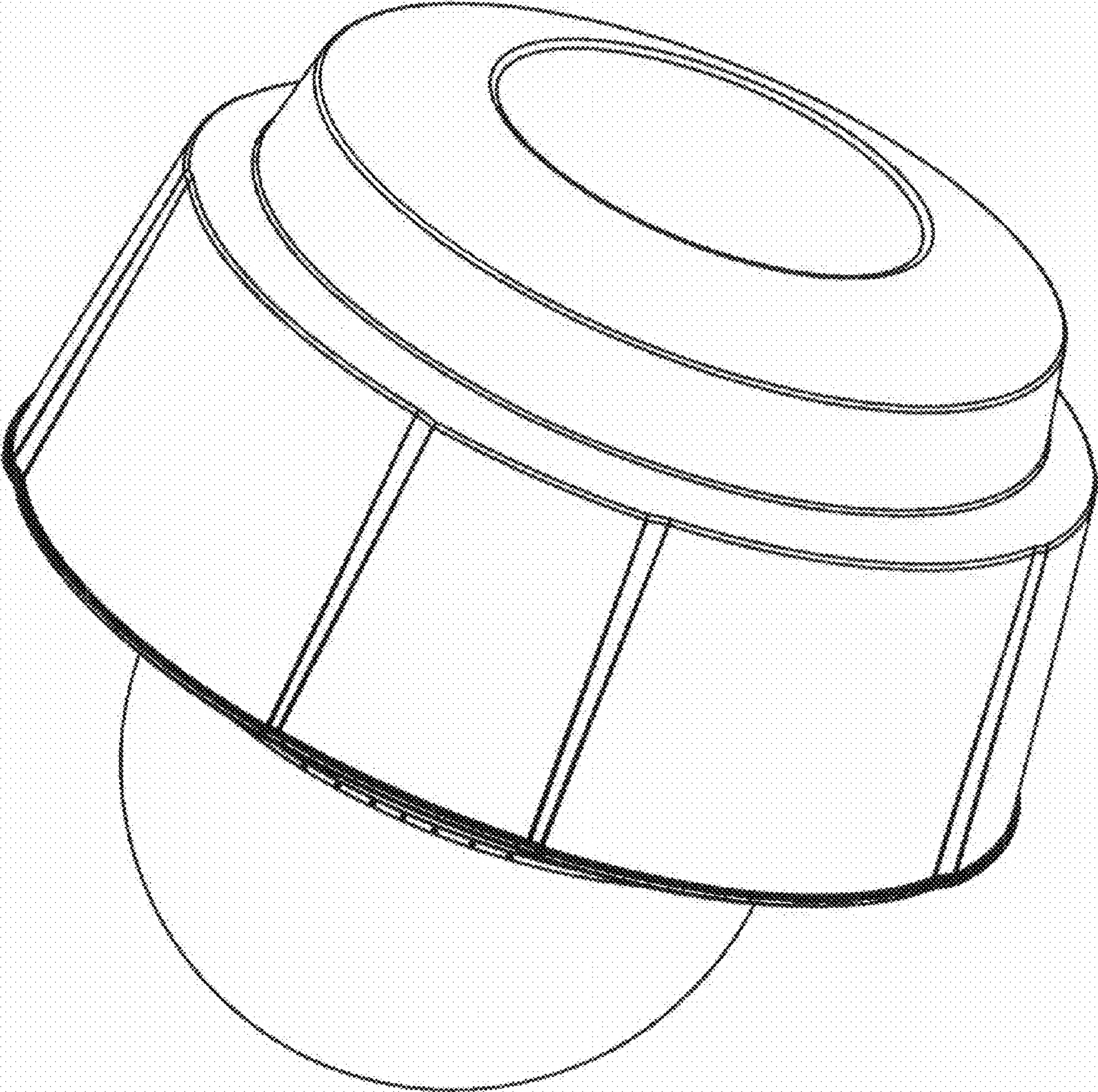


Fig. 1

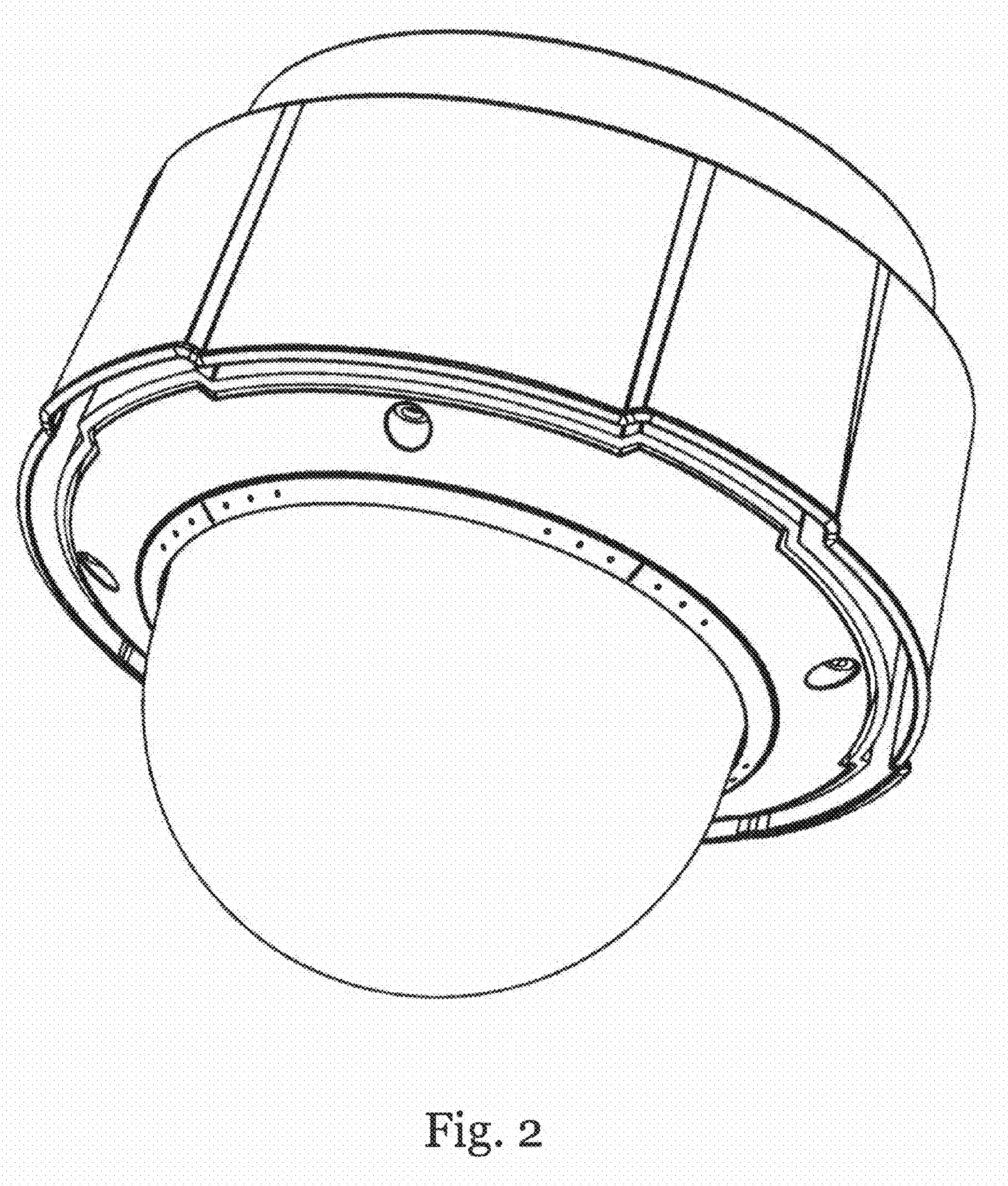


Fig. 2

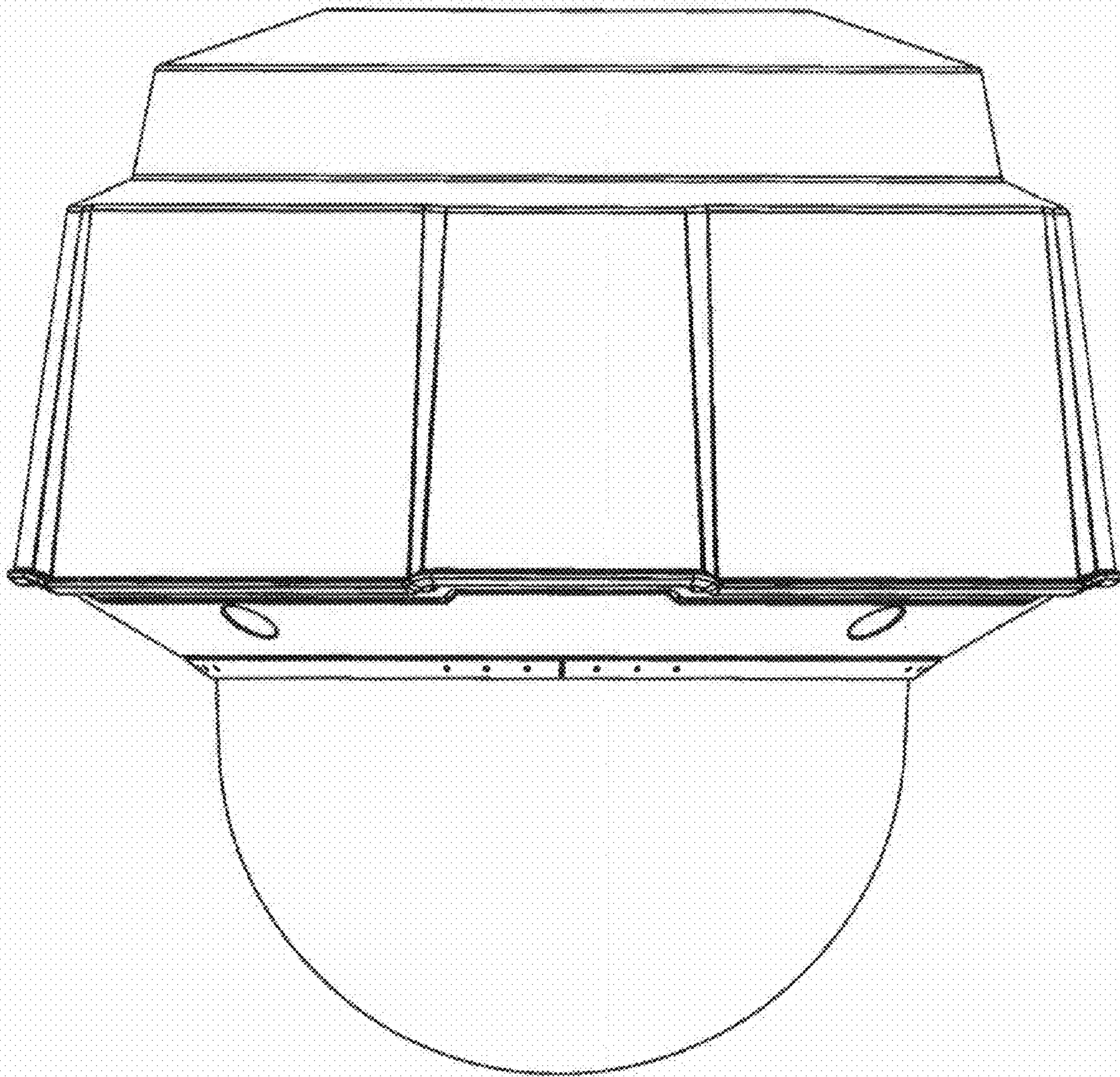


Fig. 3

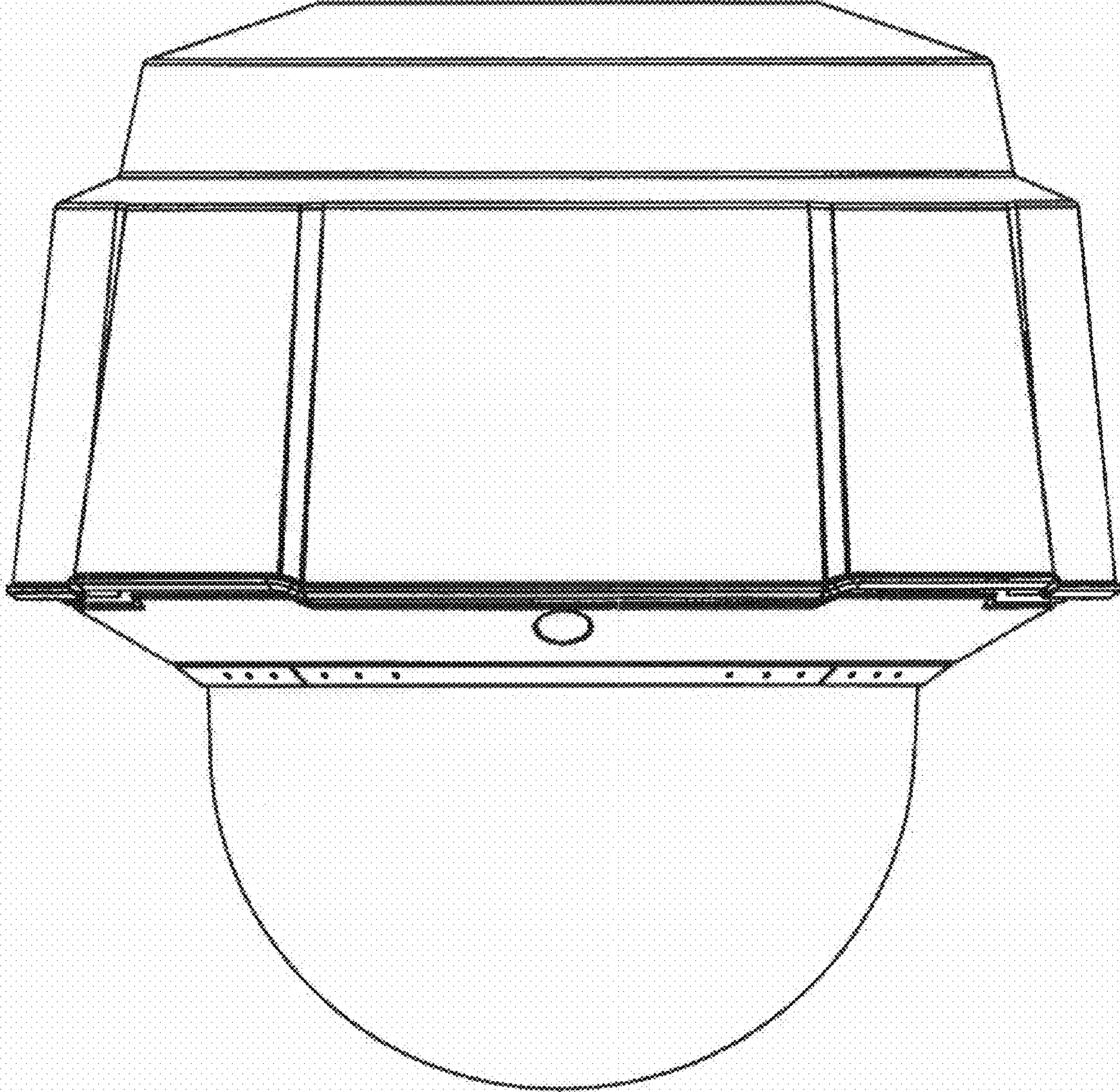


Fig. 4

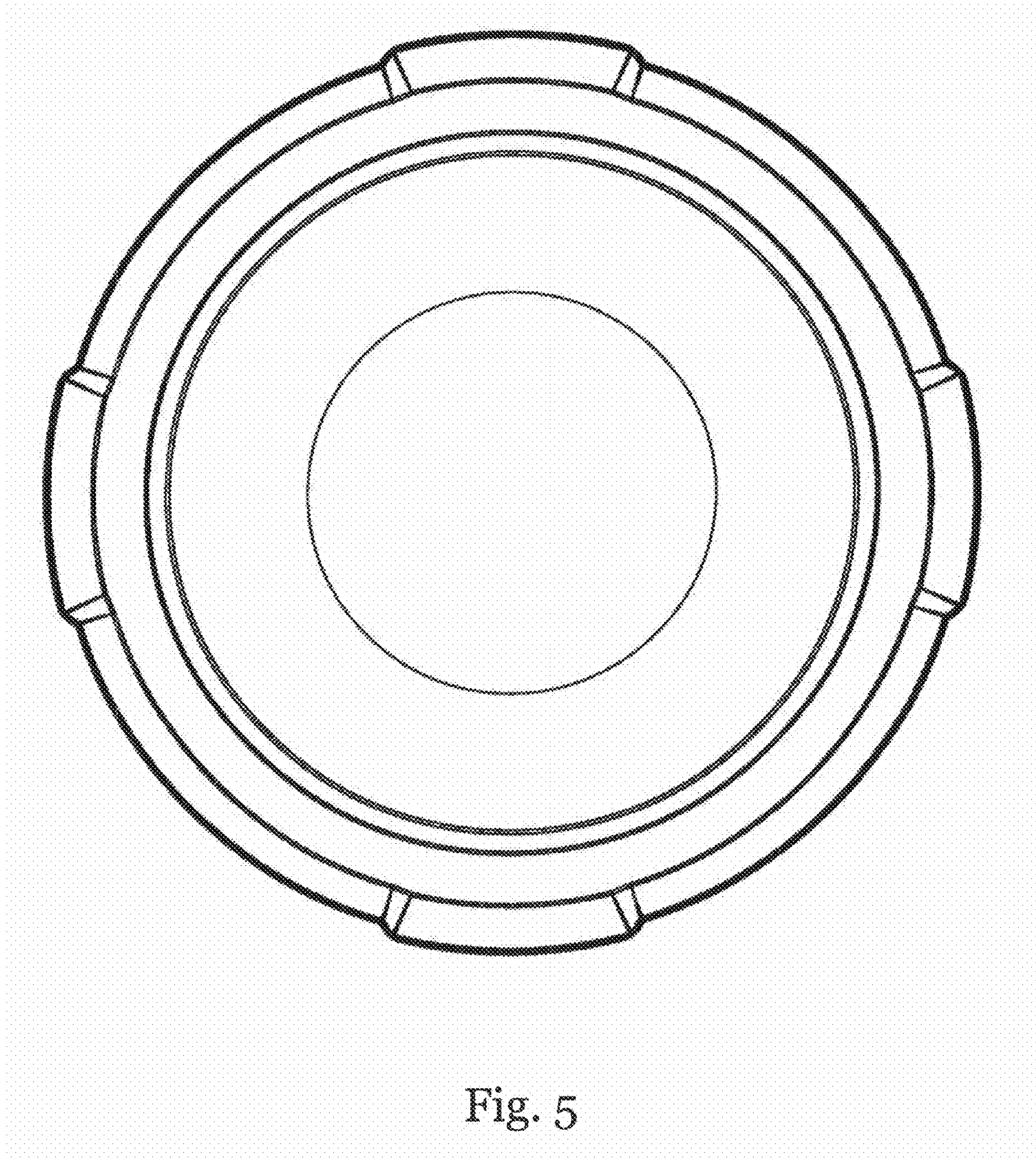


Fig. 5

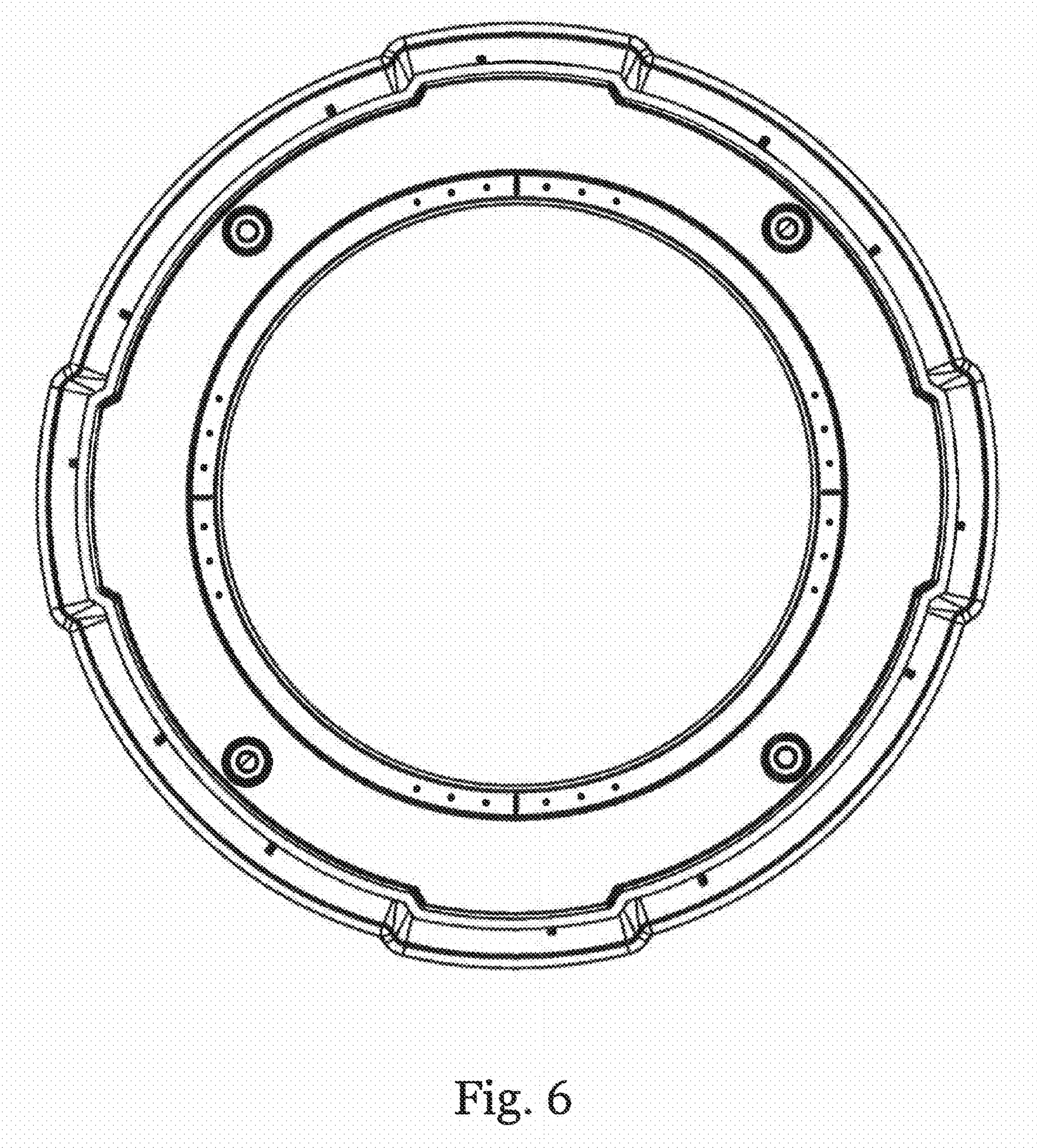


Fig. 6