



US00D636801S

(12) **United States Design Patent**
Ozaki et al.

(10) **Patent No.:** **US D636,801 S**
(45) **Date of Patent:** **** Apr. 26, 2011**

- (54) **VIBRATION-DAMPING DEVICE**
- (75) Inventors: **Fuminobu Ozaki**, Tokyo (JP);
Yoshimichi Kawai, Tokyo (JP)
- (73) Assignee: **Nippon Steel Corporation**, Tokyo (JP)
- (**) Term: **14 Years**
- (21) Appl. No.: **29/369,593**
- (22) Filed: **Sep. 10, 2010**
- (30) **Foreign Application Priority Data**

Aug. 10, 2010 (JP) 2010-019572

- (51) **LOC (9) Cl.** **15-09**
- (52) **U.S. Cl.** **D15/147**
- (58) **Field of Classification Search** D8/354,
D8/373, 377; D15/147; 29/889.3; 52/403.1;
166/75.11; 173/156; 175/156, 203; 188/378;
210/171, 251, 435, 440; 248/65, 573, 632,
248/635, 638, 678; 264/255; 267/140.11,
267/140.3, 141.3; 403/228; 439/358
See application file for complete search history.

(56) **References Cited**

U.S. PATENT DOCUMENTS

D255,645	S *	7/1980	West	D8/382
5,335,893	A *	8/1994	Opp	248/635
D581,912	S *	12/2008	Blair, Jr.	D14/238
D618,992	S *	7/2010	Rix	D8/394
2005/0224686	A1 *	10/2005	Bremmon et al.	248/610
2006/0101840	A1 *	5/2006	Cook et al.	62/295
2006/0158889	A1 *	7/2006	McKenney	362/369
2006/0226301	A1 *	10/2006	Kwilosz et al.	248/65
2007/0240308	A1 *	10/2007	Hutchinson et al.	29/889.3
2008/0283300	A1 *	11/2008	Jones	175/203

2009/0001005 A1* 1/2009 Janikowski et al. 210/171
 2009/0026673 A1* 1/2009 Clark et al. 267/140.11
 2010/0112847 A1* 5/2010 Nguyen et al. 439/358
 * cited by examiner

Primary Examiner — Patricia Palasik
 (74) *Attorney, Agent, or Firm* — Sughrue Mion, PLLC

(57) **CLAIM**
 The ornamental design for a vibration-damping device, as shown and described.

DESCRIPTION

FIG. 1 is a perspective view of a vibration-damping device.
 FIG. 2 is a front elevation view thereof.
 FIG. 3 is a rear elevation view thereof.
 FIG. 4 is a top plan view thereof.
 FIG. 5 is a bottom plan view thereof.
 FIG. 6 is a left side elevation view thereof.
 FIG. 7 is a right side elevation view thereof.
 FIG. 8 is a longitudinal cross-sectional view of the central part of the front elevation view taken along line 8—8 in FIG. 2.
 FIG. 9 is an enlarged cross-sectional view thereof taken along line 9—9 in FIG. 2.
 FIG. 10 is an enlarged cross-sectional view thereof taken along line 10—10 in FIG. 2.
 FIG. 11 is a cross-sectional view thereof taken along line 11—11 in FIG. 4.
 FIG. 12 is a cross-sectional view thereof taken along line 12—12 in FIG. 4.
 FIG. 13 is a referential view showing use 1 thereof; and, FIG. 14 is a referential view showing use 2 thereof.
 The portion of the article shown in broken lines is for the purpose of showing environmental structure only and forms no part of the claimed design.

1 Claim, 14 Drawing Sheets

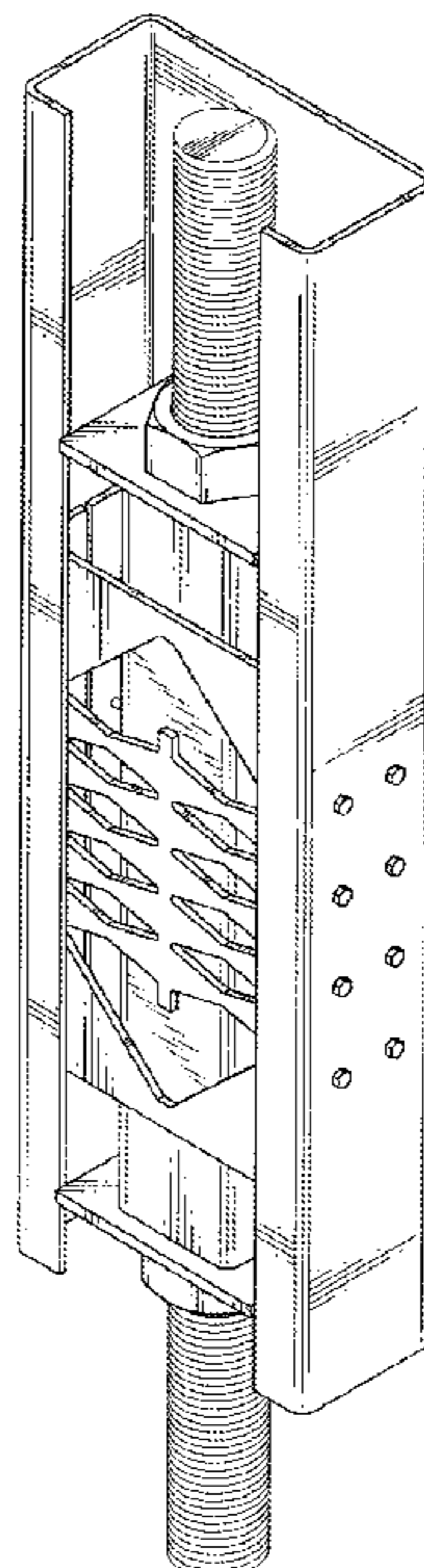


FIG. 1

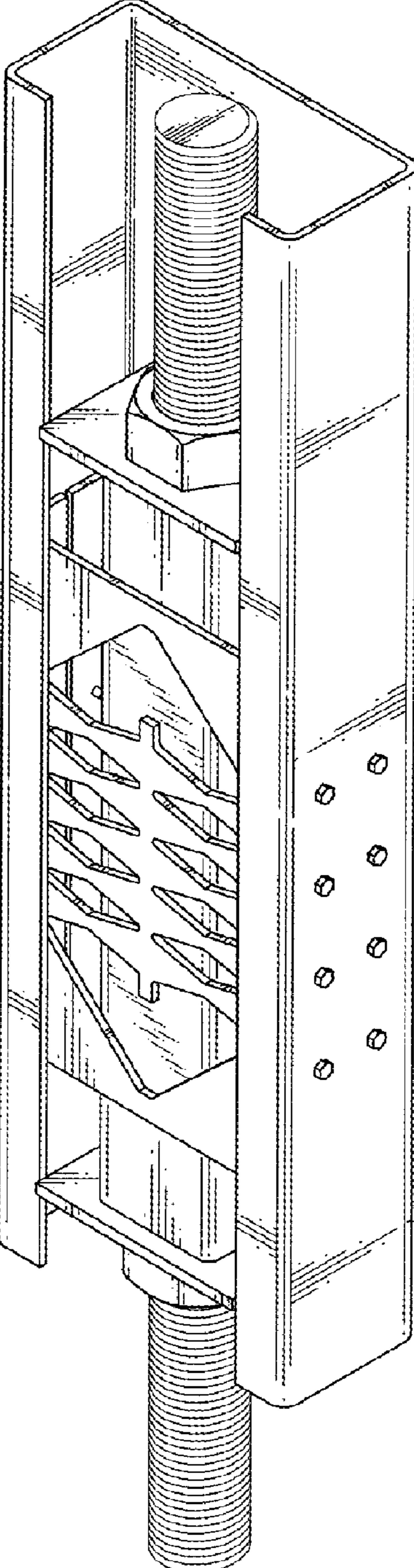


FIG. 2

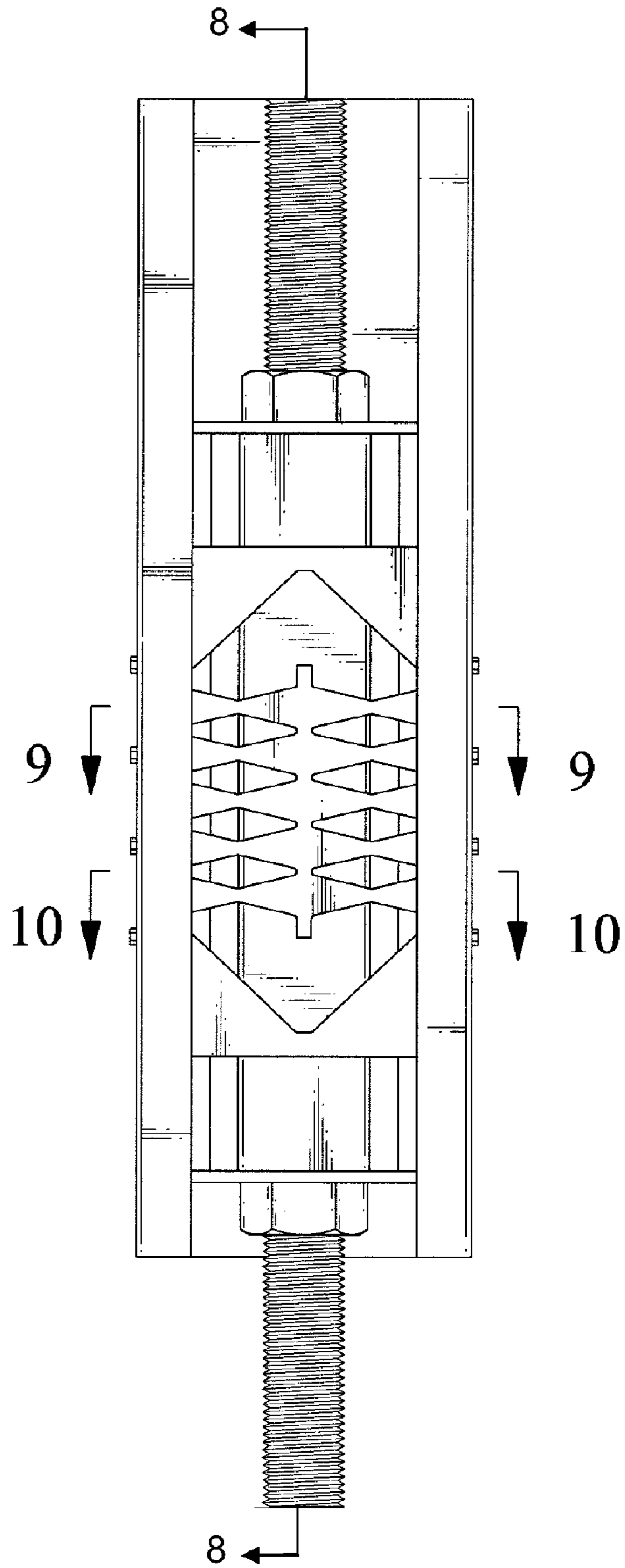


FIG. 3

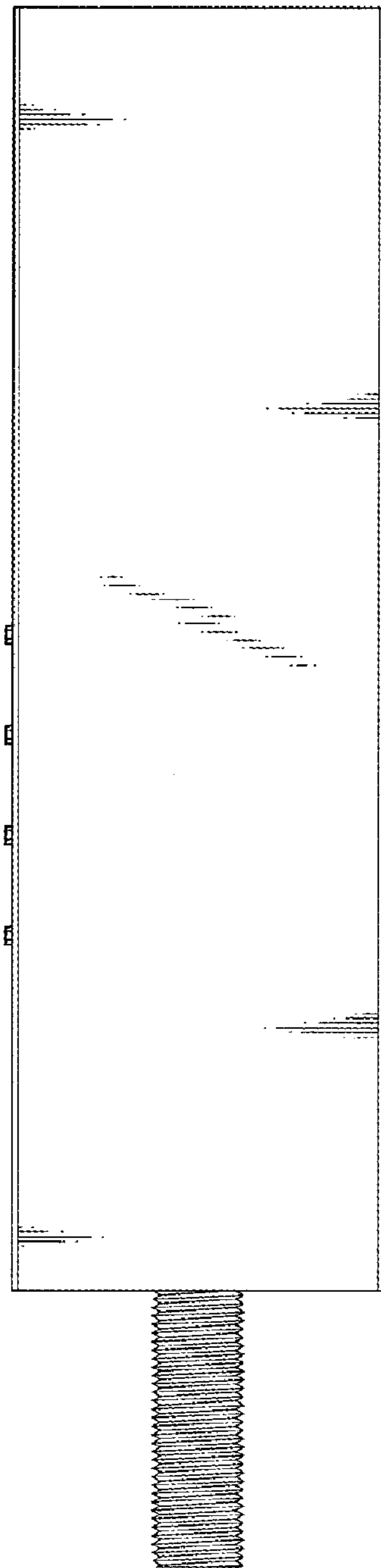


FIG. 4

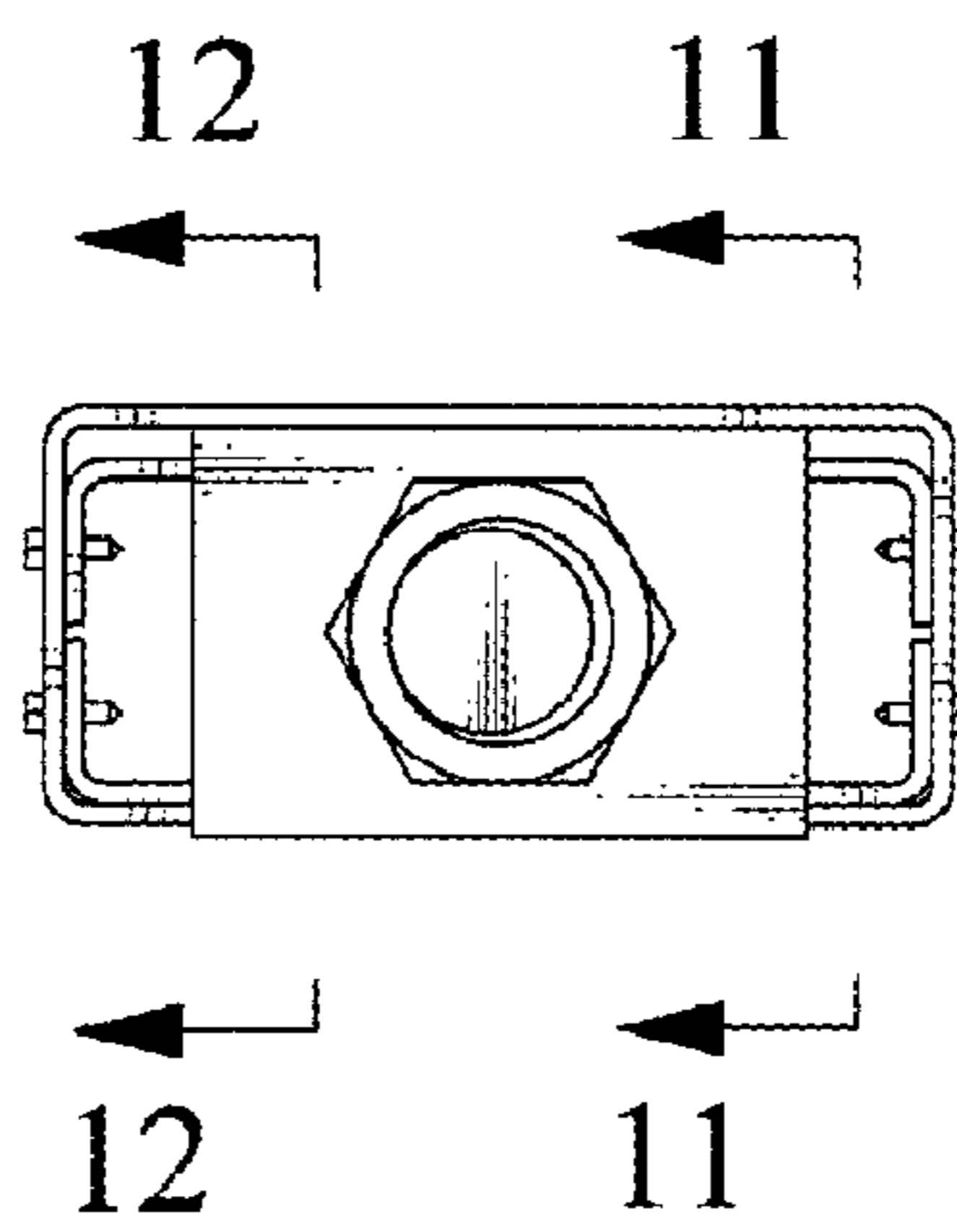


FIG. 5

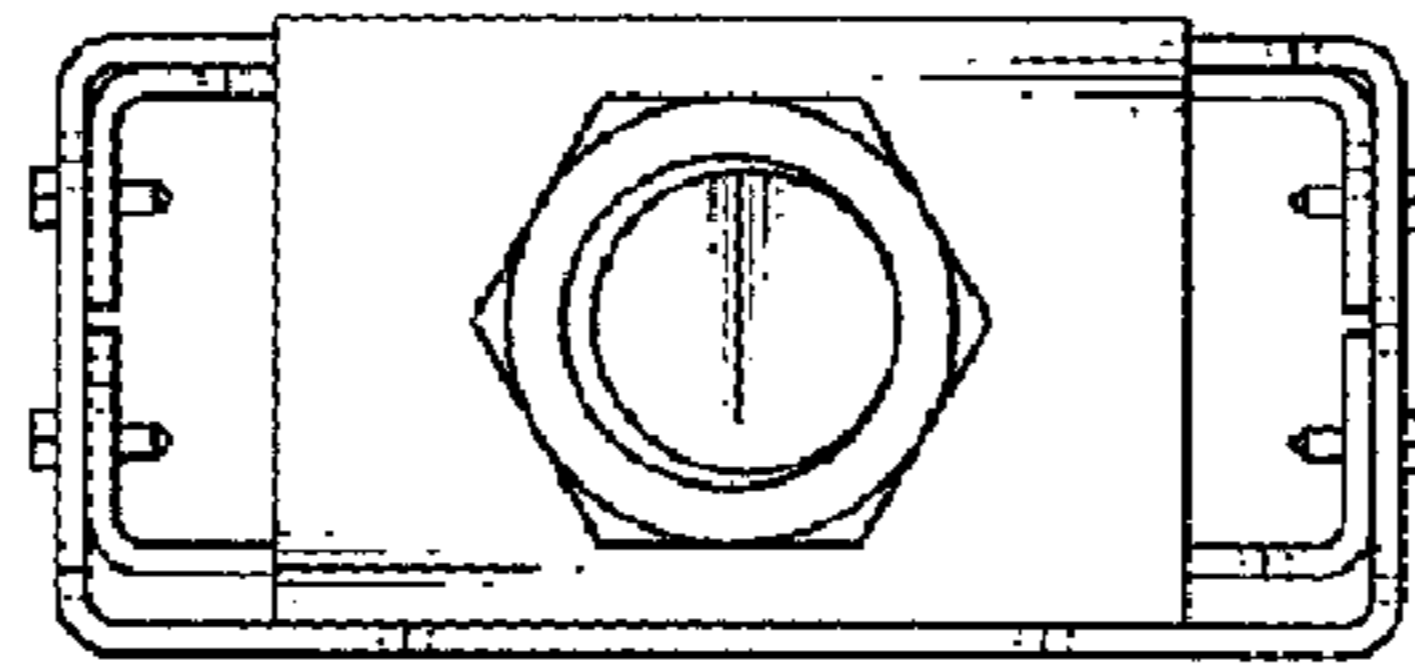


FIG. 6

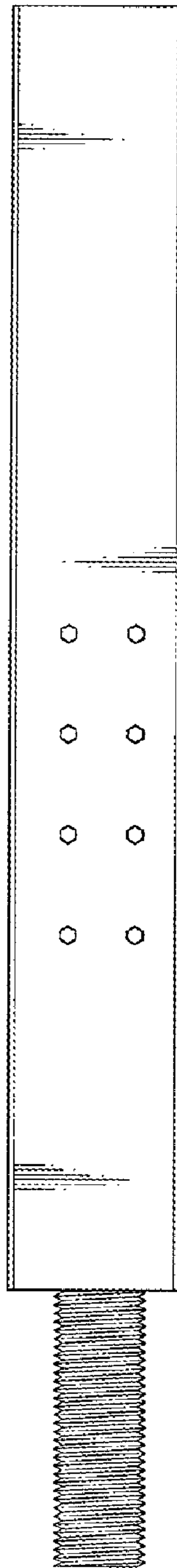


FIG. 7

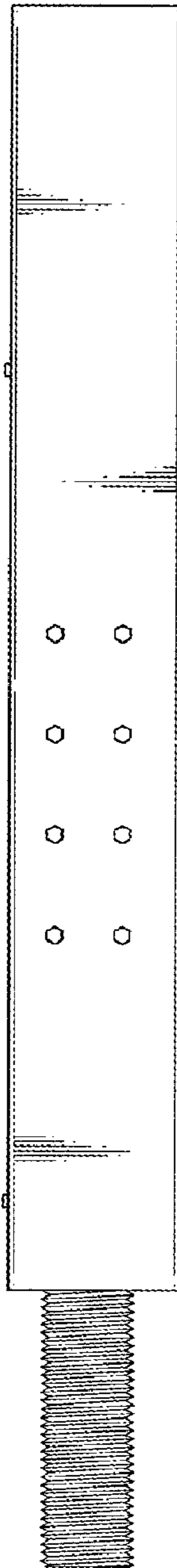


FIG. 8

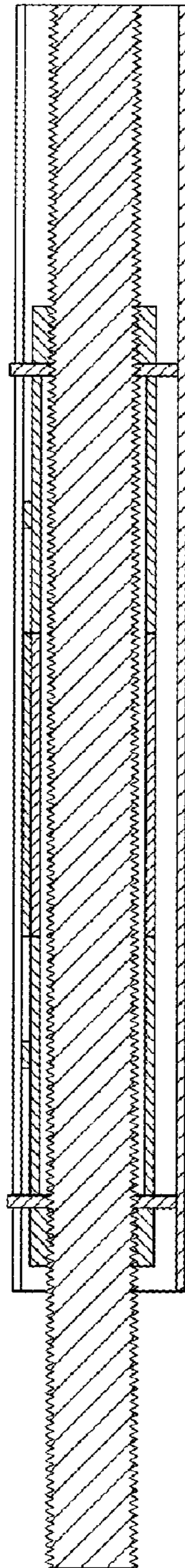


FIG. 9

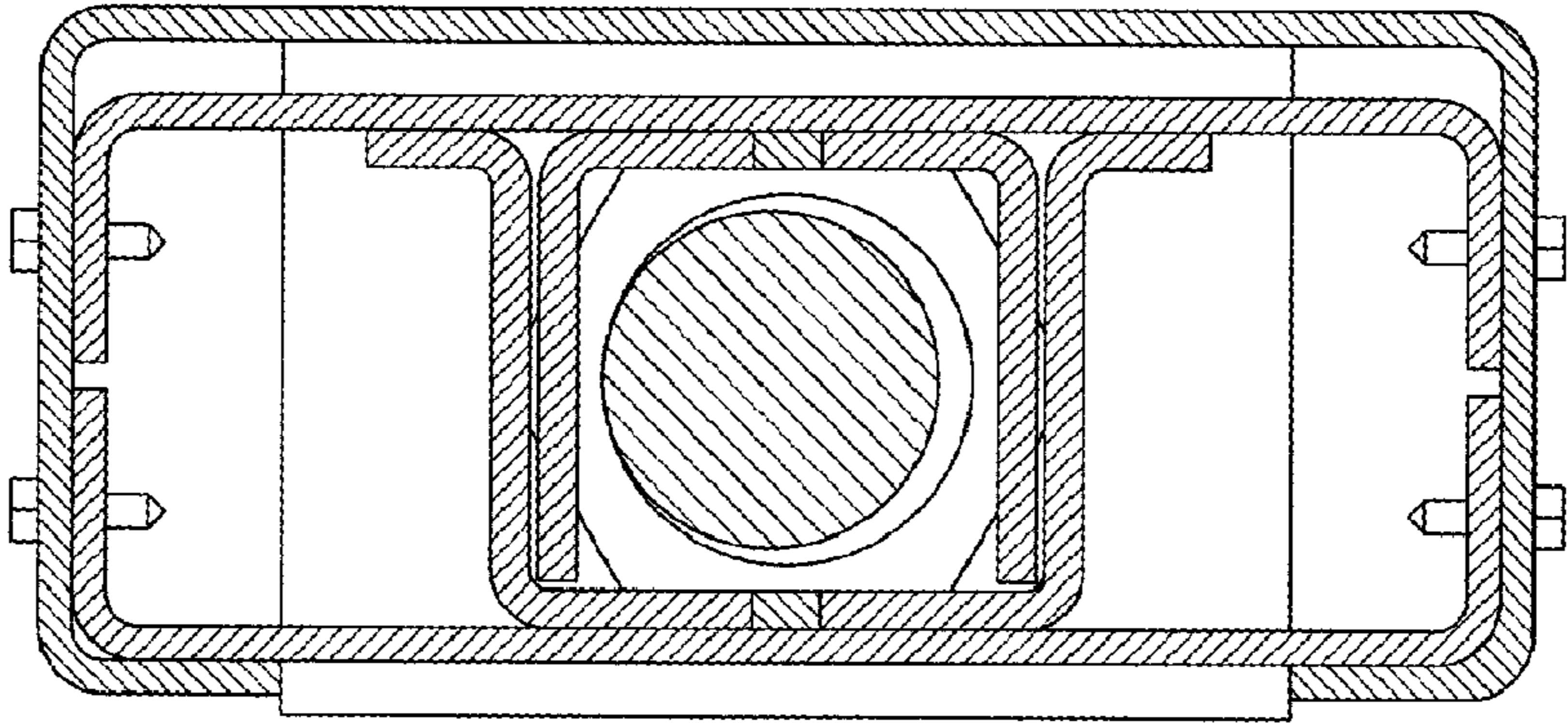


FIG. 10

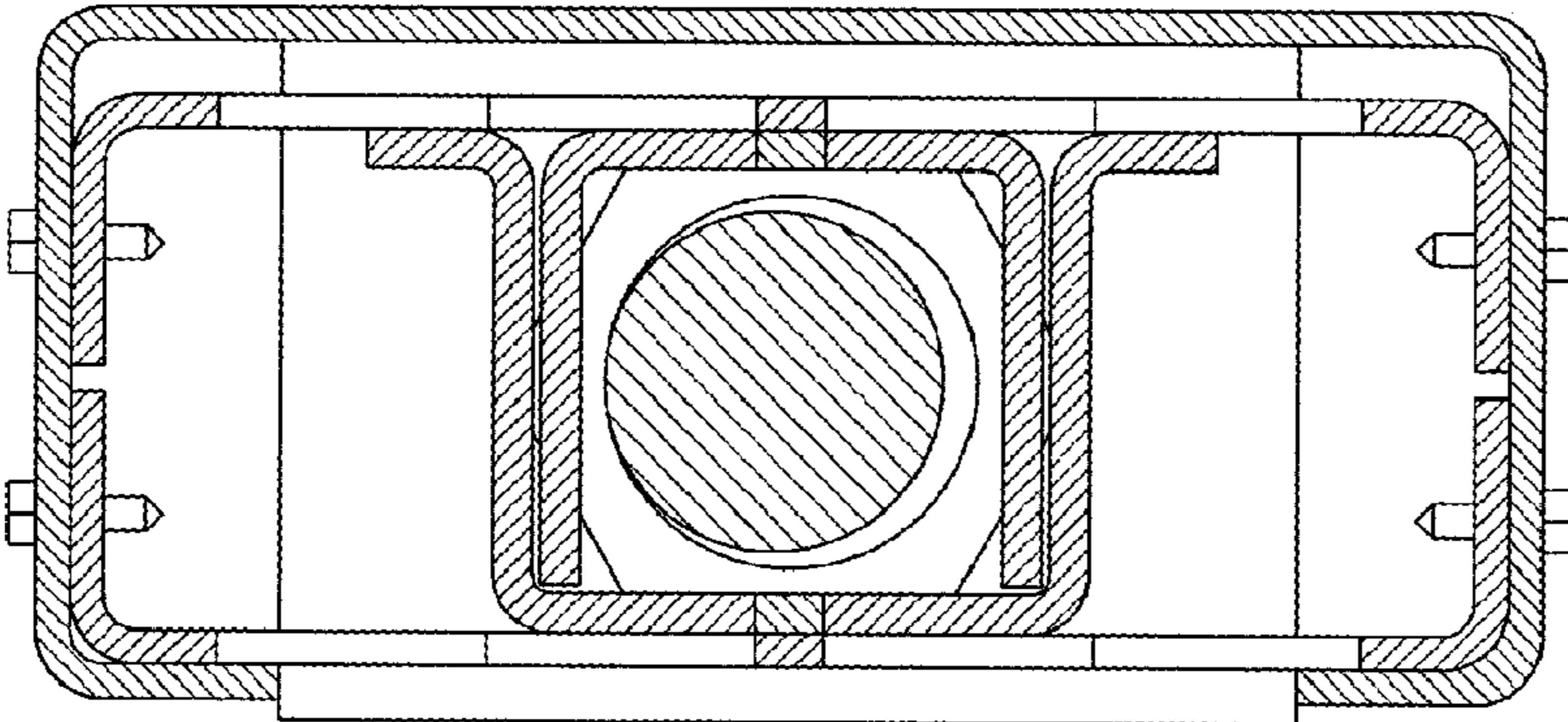


FIG. 11

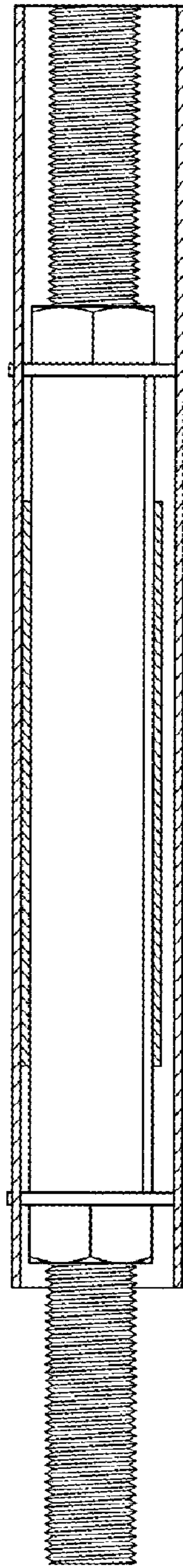


FIG. 12

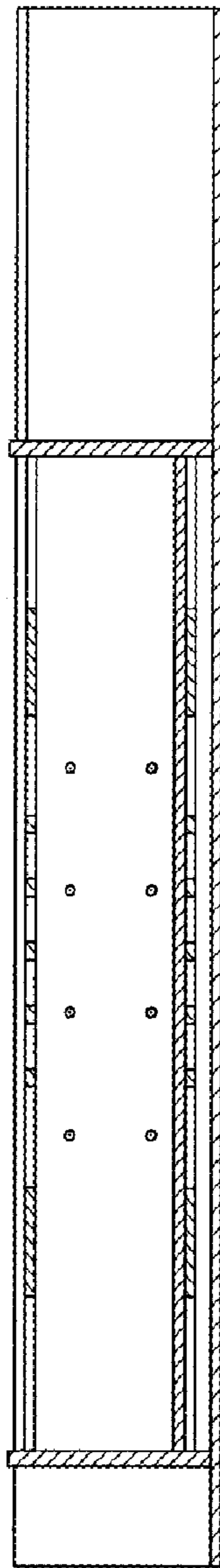


FIG. 13

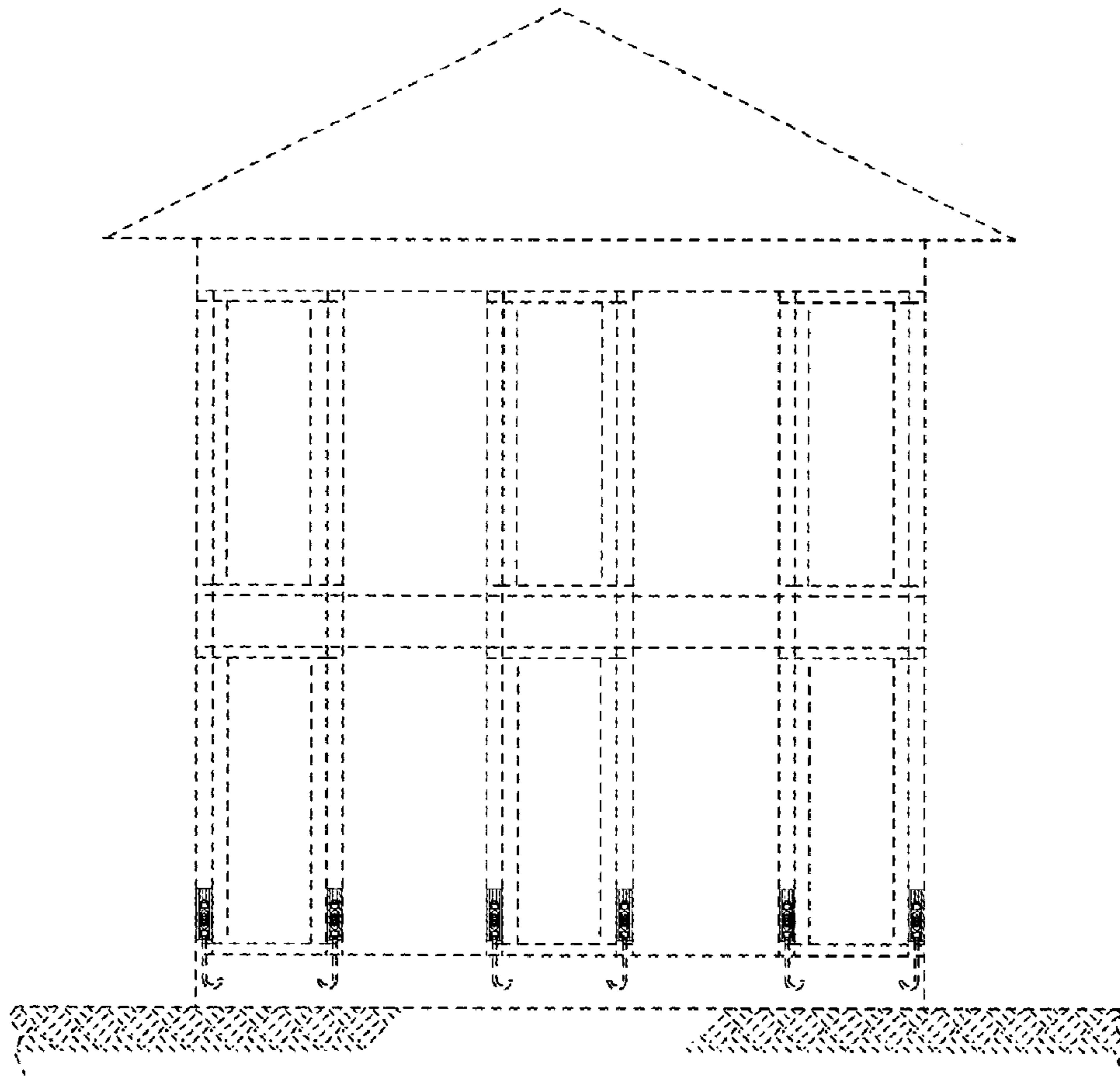


FIG. 14

