



US00D636795S

(12) **United States Design Patent**
Yamamoto et al.

(10) **Patent No.:** **US D636,795 S**
(45) **Date of Patent:** **** Apr. 26, 2011**

(54) **CAB FOR CONSTRUCTION MACHINE**

(75) Inventors: **Keiji Yamamoto**, Hiroshima (JP);
Shuichi Ono, Hiroshima (JP); **Kenta Kojima**, Hiroshima (JP); **Hideki Okubo**, Hiroshima (JP)

(73) Assignee: **Kobelco Construction Machinery Co., Ltd.**, Hiroshima (JP)

(**) Term: **14 Years**

(21) Appl. No.: **29/369,031**

(22) Filed: **Sep. 1, 2010**

(30) **Foreign Application Priority Data**

Mar. 2, 2010 (JP) D2010-004894

(51) **LOC (9) Cl.** **15-03**

(52) **U.S. Cl.** **D15/30; D15/28**

(58) **Field of Classification Search** D15/10,
D15/22-26, 28, 30, 31; 180/89.11, 89.12,
180/89.13, 89.19, 900; 296/190.01, 190.08,
296/210, 190, 202

See application file for complete search history.

(56) **References Cited**

U.S. PATENT DOCUMENTS

D230,297 S *	2/1974	Purcell et al.	D15/30
3,933,371 A *	1/1976	Graham	280/756
D267,648 S *	1/1983	Baconet et al.	D15/30
D275,199 S *	8/1984	Schmidt et al.	D15/30
D312,827 S *	12/1990	Boddin et al.	D15/30
D317,011 S *	5/1991	Boddin et al.	D15/30
D323,659 S *	2/1992	Jacobsson	D15/30
D348,678 S *	7/1994	Budde	D15/30
D424,778 S *	5/2000	Dahl et al.	D34/34
D438,878 S *	3/2001	Brandenburg et al.	D15/30
D446,225 S *	8/2001	Brandenburg et al.	D15/30
D455,763 S *	4/2002	Brandenburg et al.	D15/30
D463,461 S *	9/2002	Yanagida et al.	D15/30
D463,462 S *	9/2002	Yanagida et al.	D15/30
D463,807 S *	10/2002	Tamaru et al.	D15/30

D471,213 S *	3/2003	Kwak et al.	D15/30
D479,536 S *	9/2003	Dahl et al.	D15/30
D481,044 S *	10/2003	Tokach et al.	D15/30
D481,398 S *	10/2003	Tokach et al.	D15/30
D487,100 S *	2/2004	Tokach et al.	D15/30
D497,920 S *	11/2004	Antonetti	D15/30
D507,281 S *	7/2005	Komatsu et al.	D15/30
D507,800 S *	7/2005	Kuwae et al.	D15/30
D523,029 S *	6/2006	Crawford et al.	D15/30
D523,874 S *	6/2006	Hagele	D15/30
D528,134 S *	9/2006	Vandendriessche et al.	..	D15/30
D531,646 S *	11/2006	McCarren et al.	D15/30
D531,647 S *	11/2006	Stender et al.	D15/30
D541,825 S *	5/2007	Pettersson	D15/30
D541,826 S *	5/2007	Brush et al.	D15/30
D548,753 S *	8/2007	Kim	D15/30
D549,245 S *	8/2007	Antonetti	D15/30
D549,742 S *	8/2007	Koss	D15/30
D555,677 S *	11/2007	Kuwae et al.	D15/30
D561,205 S *	2/2008	Pettersson	D15/30
D577,040 S *	9/2008	Kim	D15/30

(Continued)

Primary Examiner — Mark A Goodwin

(74) *Attorney, Agent, or Firm* — Birch, Stewart, Kolasch & Birch, LLP

(57) **CLAIM**

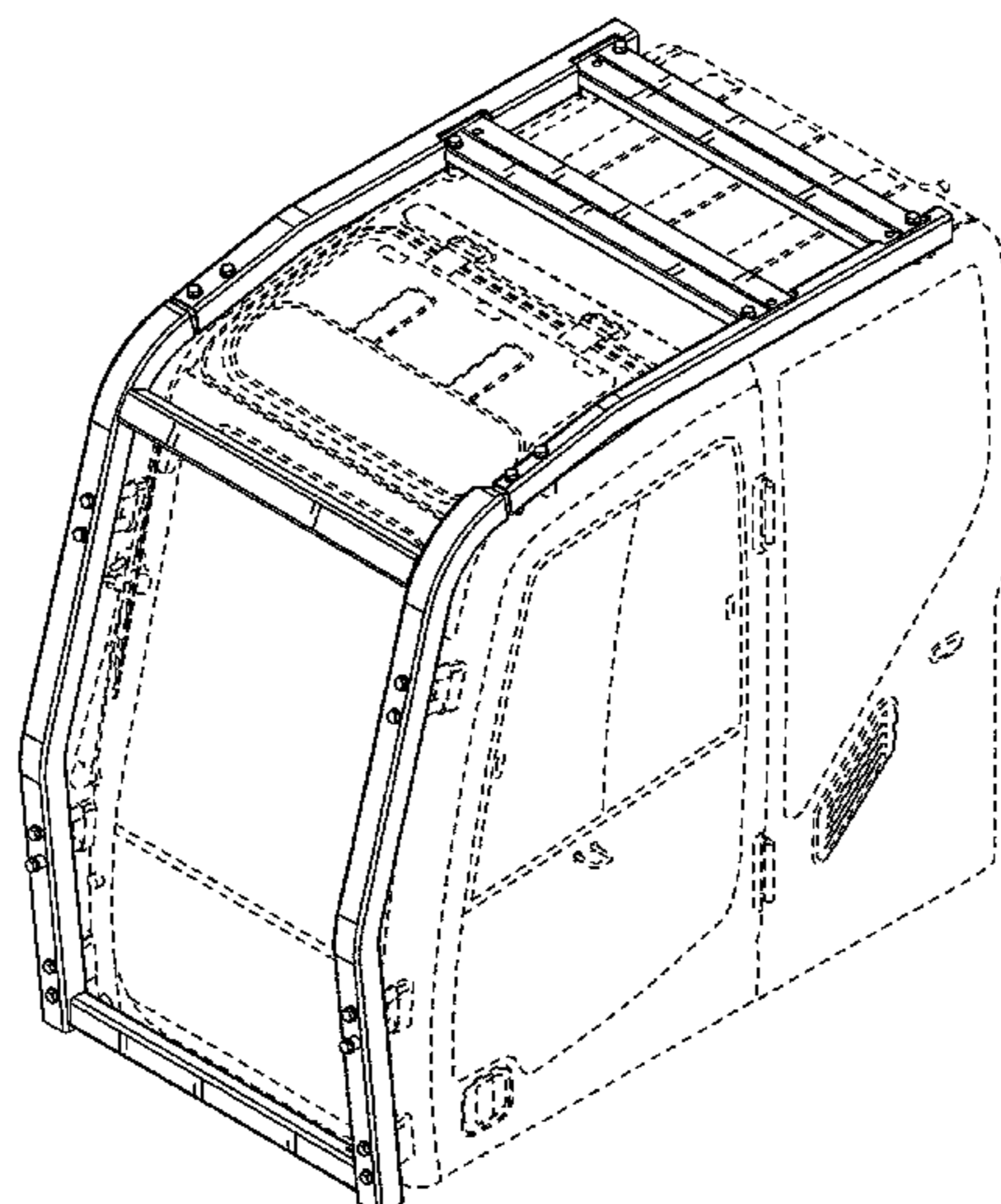
The ornamental design for a cab for construction machine, as shown and described.

DESCRIPTION

FIG. 1 is a first perspective view of a cab for construction machine showing our new design;
FIG. 2 is a second perspective view thereof;
FIG. 3 is a front view thereof;
FIG. 4 is a rear view thereof;
FIG. 5 is a left side view thereof;
FIG. 6 is a right side view thereof;
FIG. 7 is a top view thereof; and,
FIG. 8 is a bottom view thereof.

The portion shown by broken lines is for illustrative purposes only and forms no part of the claimed design.

1 Claim, 8 Drawing Sheets



US D636,795 S

Page 2

U.S. PATENT DOCUMENTS

D579,028 S	*	10/2008	VanDeVeer et al.	D15/30	D605,207 S	*	12/2009	Menges et al.	D15/30
D594,037 S	*	6/2009	Uemura	D15/30	D607,905 S	*	1/2010	Reisenauer et al.	D15/30
D595,745 S	*	7/2009	Jorgensen et al.	D15/30	D614,674 S	*	4/2010	Hobenshield et al.	D15/30
D603,881 S	*	11/2009	Tamplain et al.	D15/30					

* cited by examiner

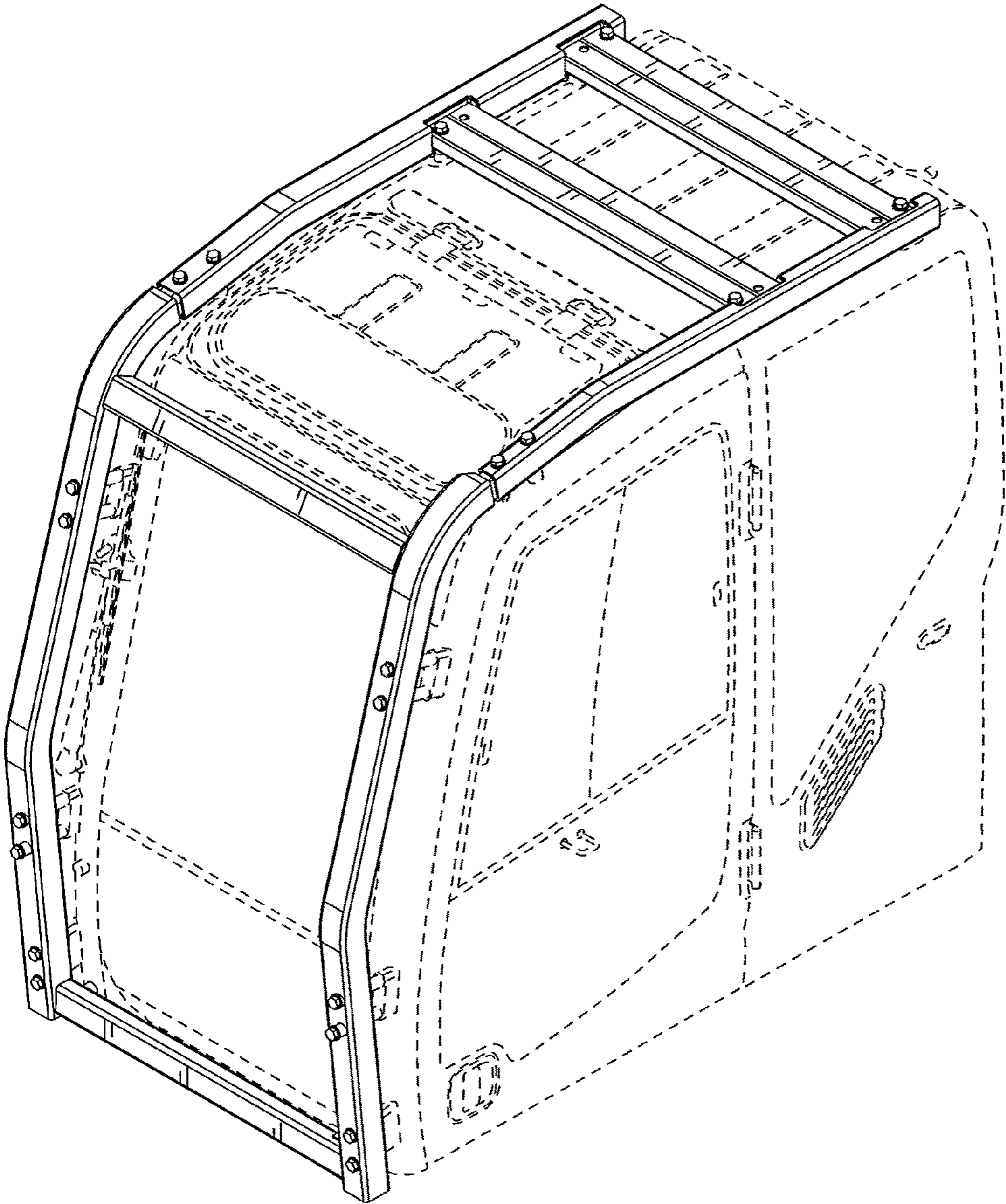


FIG. 1

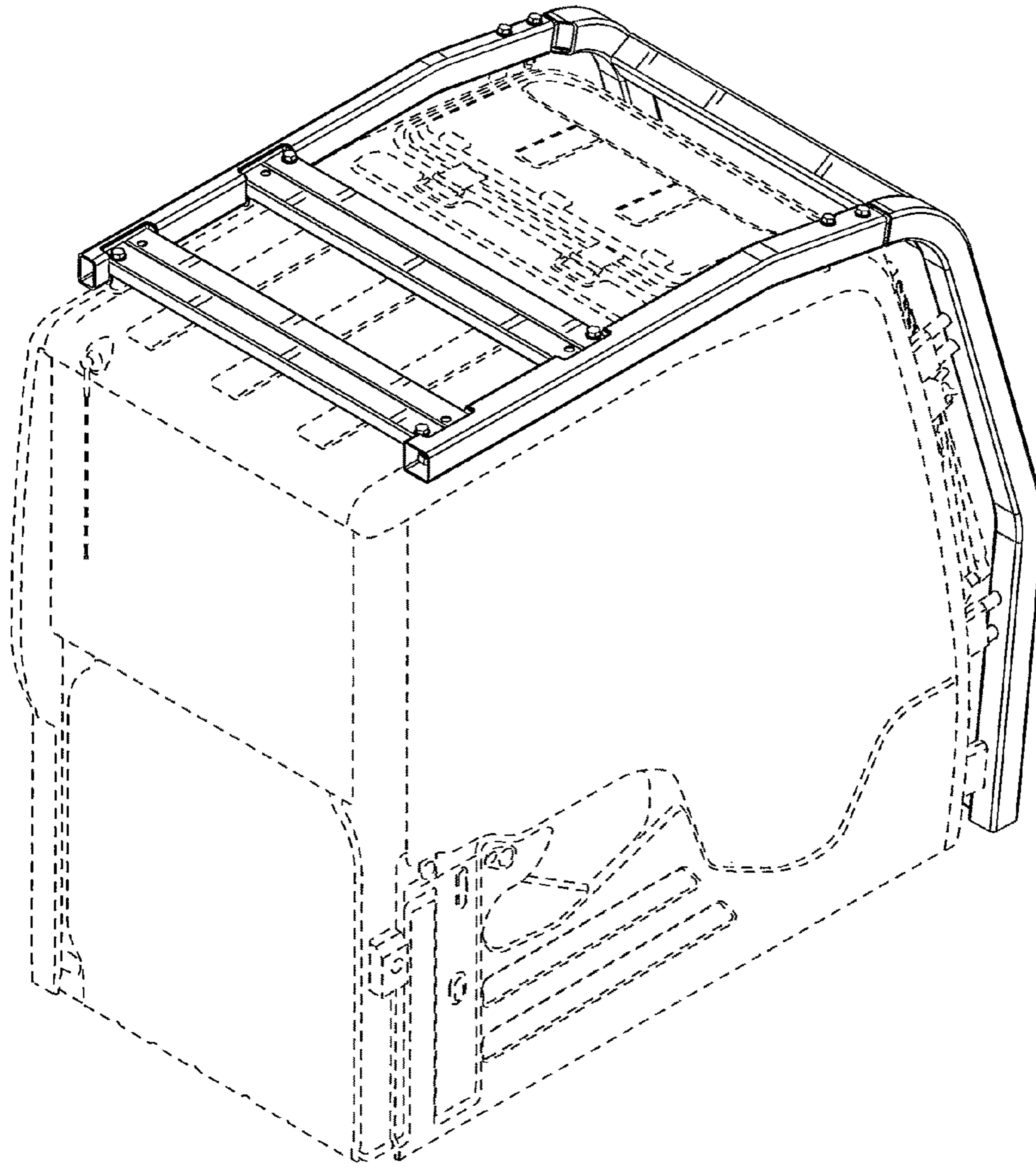


FIG.2

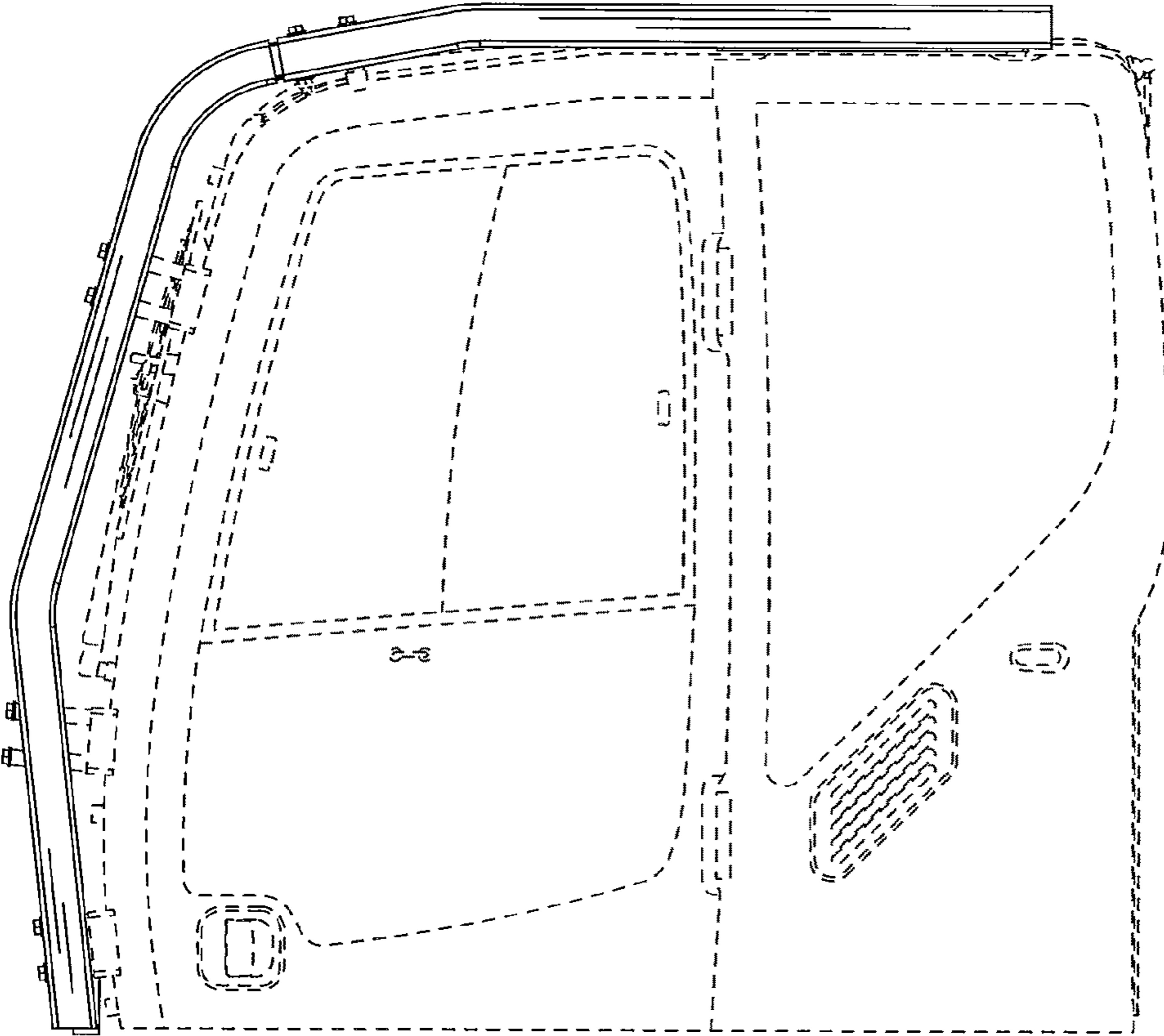


FIG.3

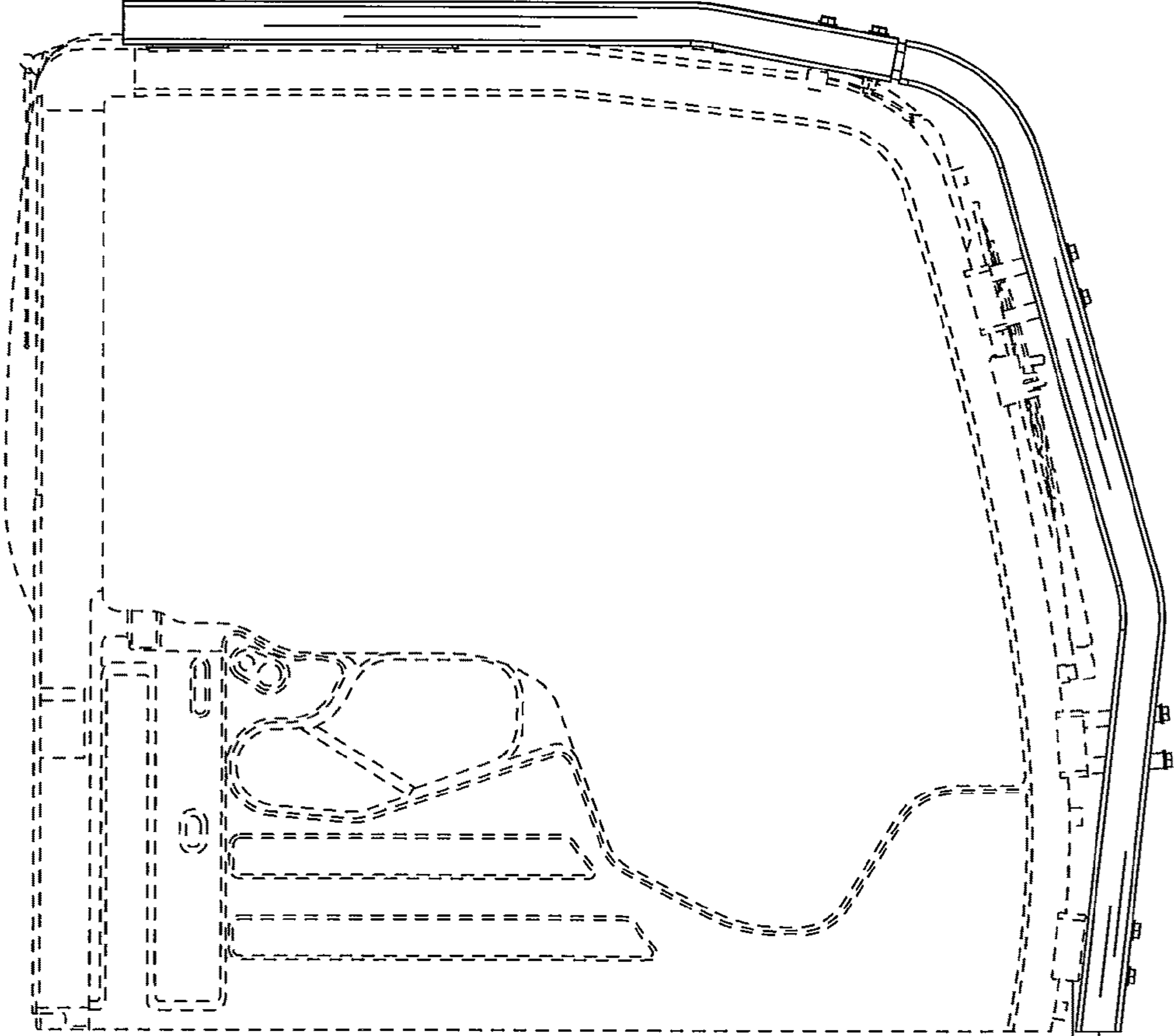


FIG.4

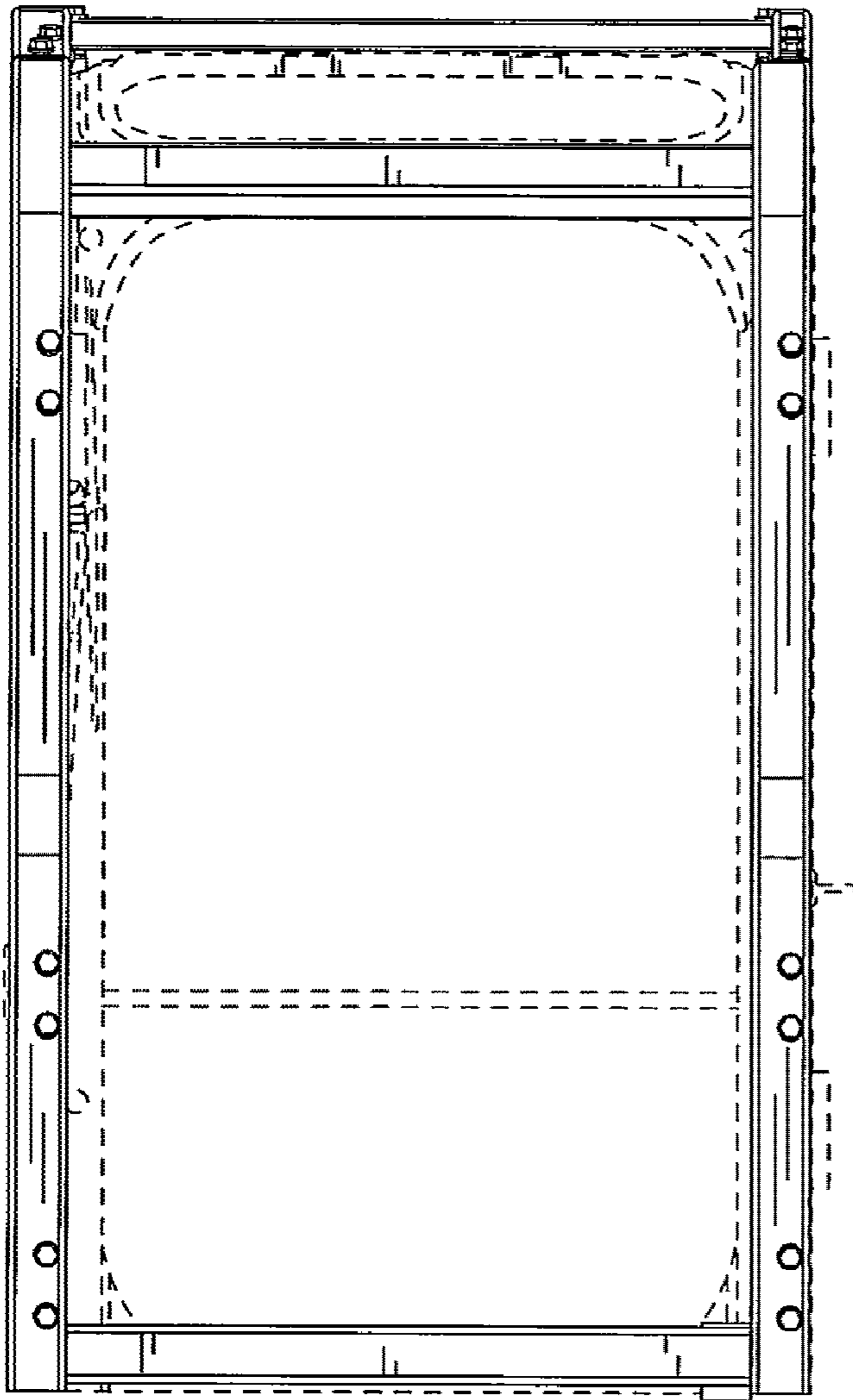


FIG.5

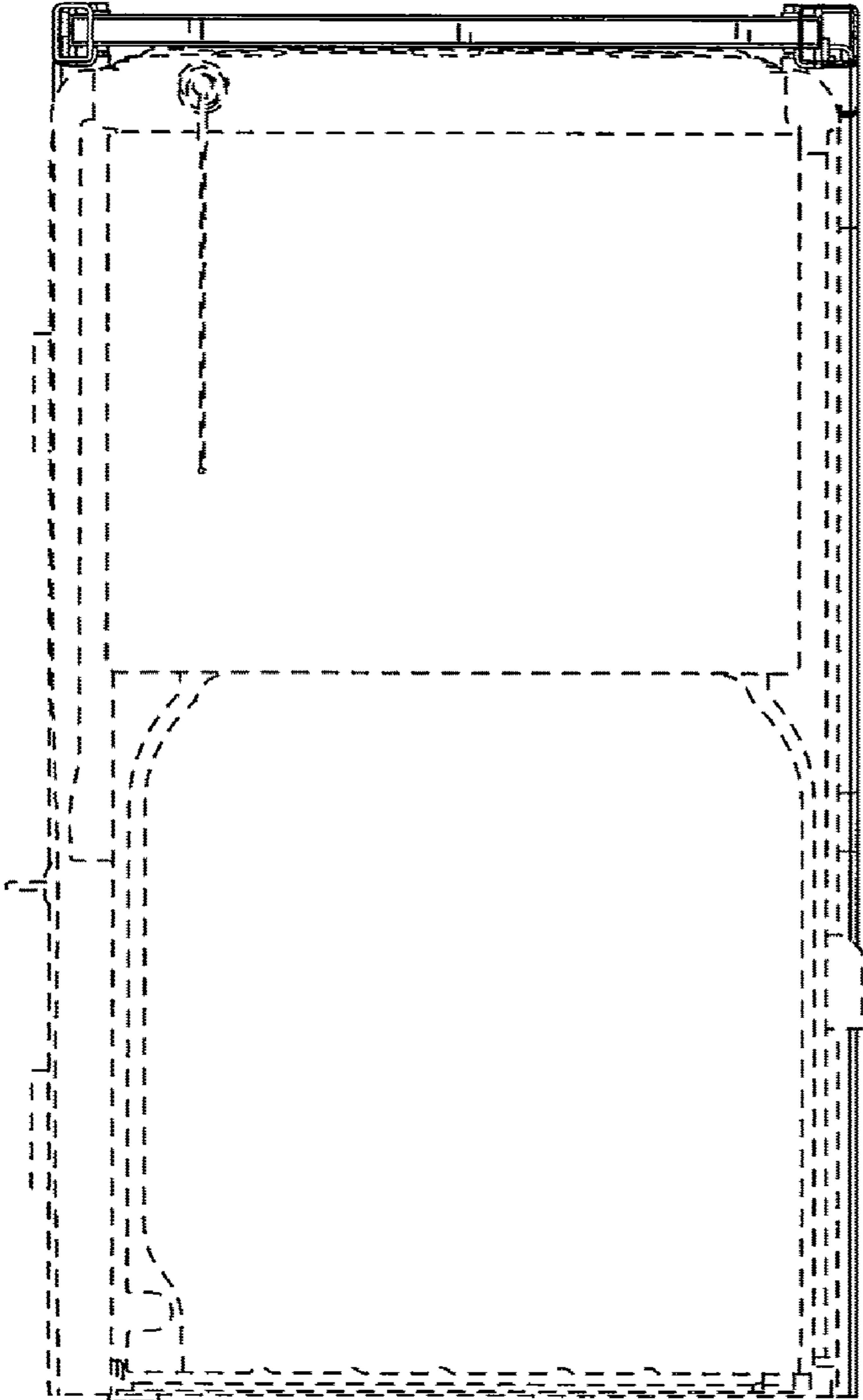


FIG.6

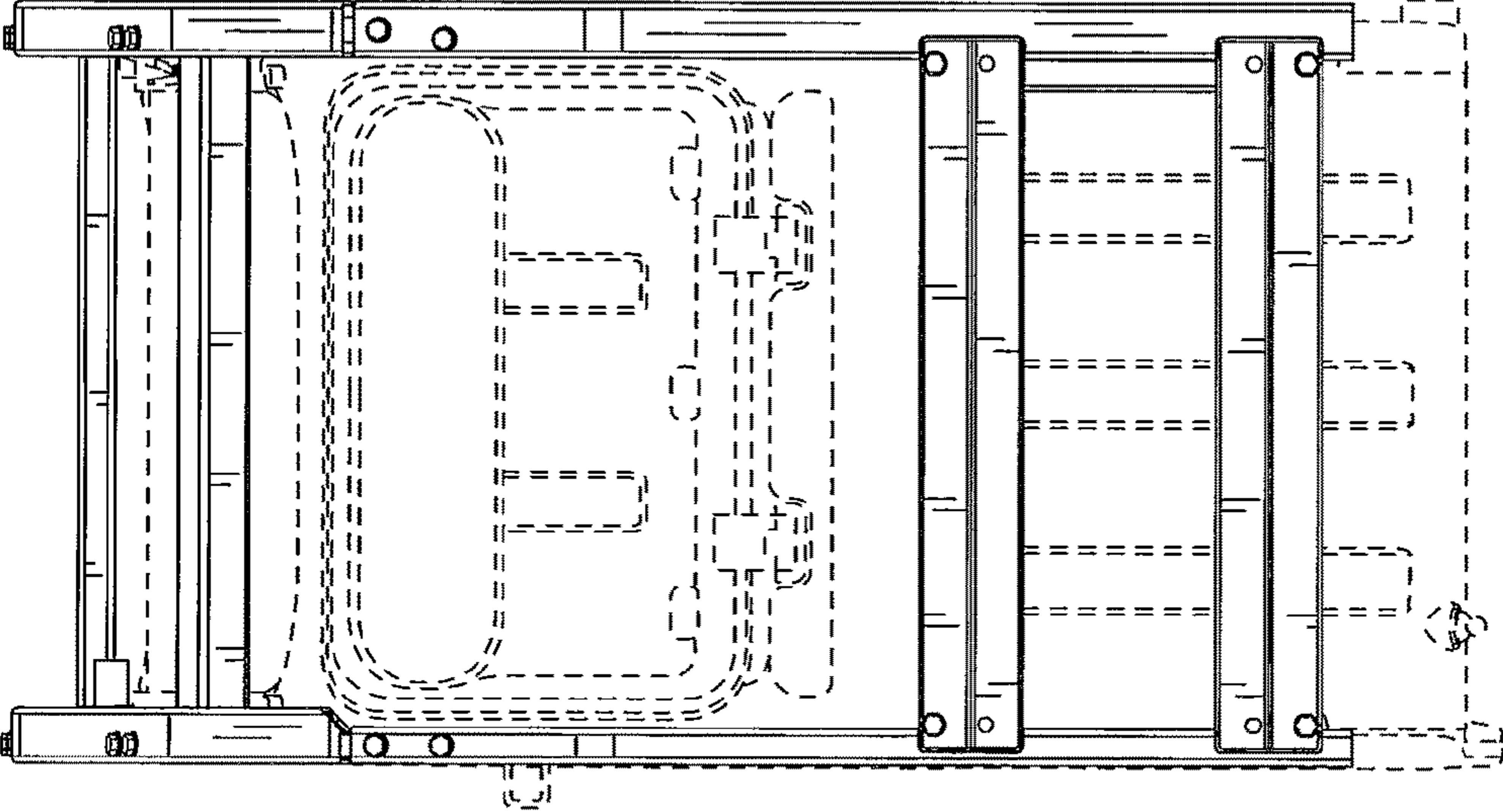


FIG.7

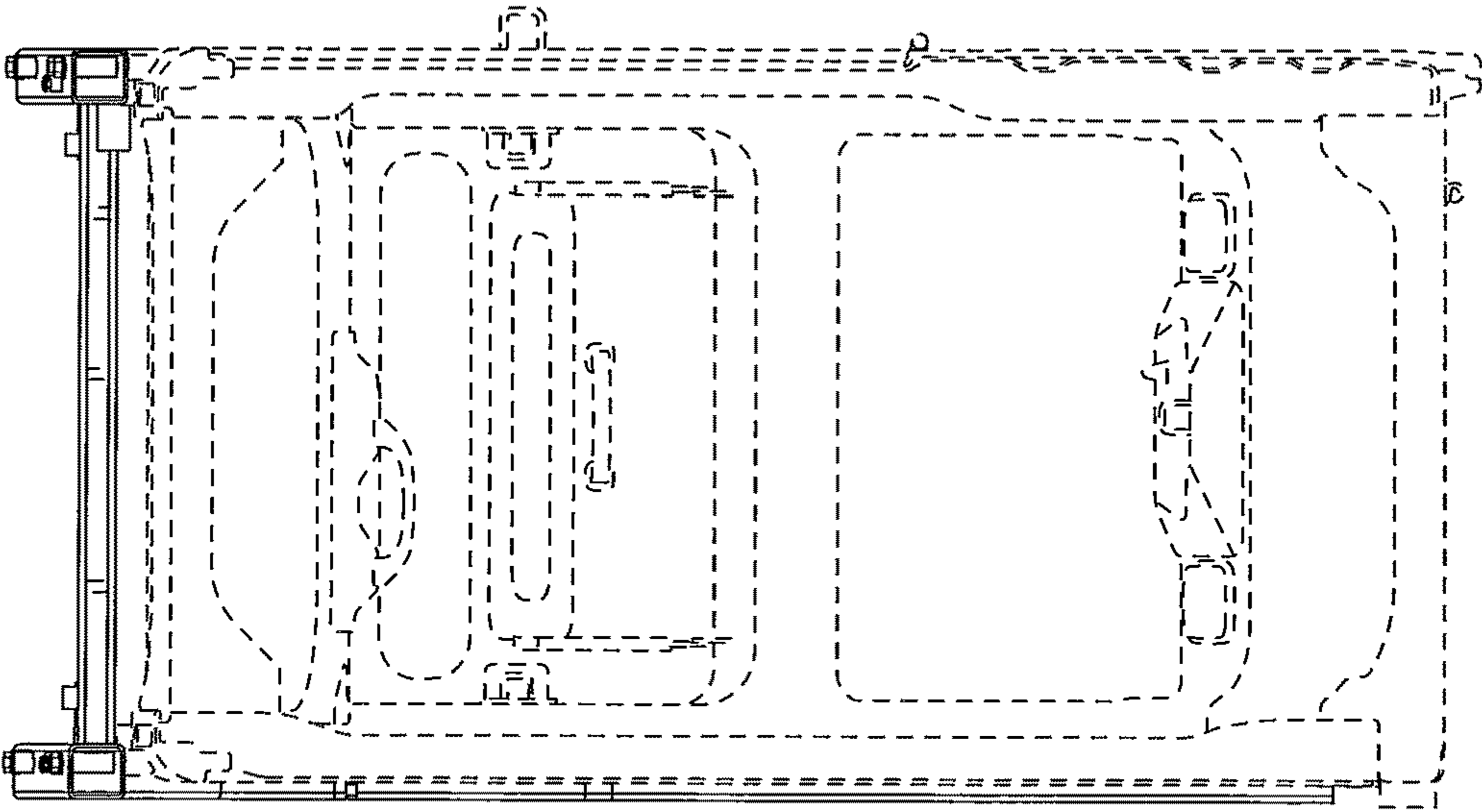


FIG.8