



US00D636792S

(12) **United States Design Patent**
Parks et al.

(10) **Patent No.:** **US D636,792 S**

(45) **Date of Patent:** **** Apr. 26, 2011**

(54) **COMPRESSOR**

D485,564 S * 1/2004 Yorulmazoglu et al. D15/7
D492,324 S * 6/2004 Stevens D15/7
D576,640 S * 9/2008 Sinico et al. D15/7

(75) Inventors: **Berlie Eugene Parks**, Bright, IN (US);
Darrin W. Wilmes, Cincinnati, OH (US)

* cited by examiner

(73) Assignee: **Campbell Hausfeld/Scott Fetzer Company**, Harrison, OH (US)

Primary Examiner — Ralf Seifert

(74) *Attorney, Agent, or Firm* — Jones Day

(**) Term: **14 Years**

(57) **CLAIM**

The ornamental design for a compressor, as shown and described.

(21) Appl. No.: **29/334,723**

DESCRIPTION

(22) Filed: **Mar. 31, 2009**

(51) **LOC (9) Cl.** **15-02**

FIG. 1 is a perspective view of a compressor embodying the ornamental design of the present invention.

(52) **U.S. Cl.** **D15/7**

FIG. 2 is a front view thereof.

(58) **Field of Classification Search** D15/7-9;

FIG. 3 is a rear view thereof.

D23/231, 232, 225; 417/410.1, 359, 415-416,

FIG. 4 is a side view thereof.

417/234, 321, 265, 405

FIG. 5 is an opposite side thereof.

See application file for complete search history.

FIG. 6 is a top view thereof; and,

FIG. 7 is a bottom view thereof.

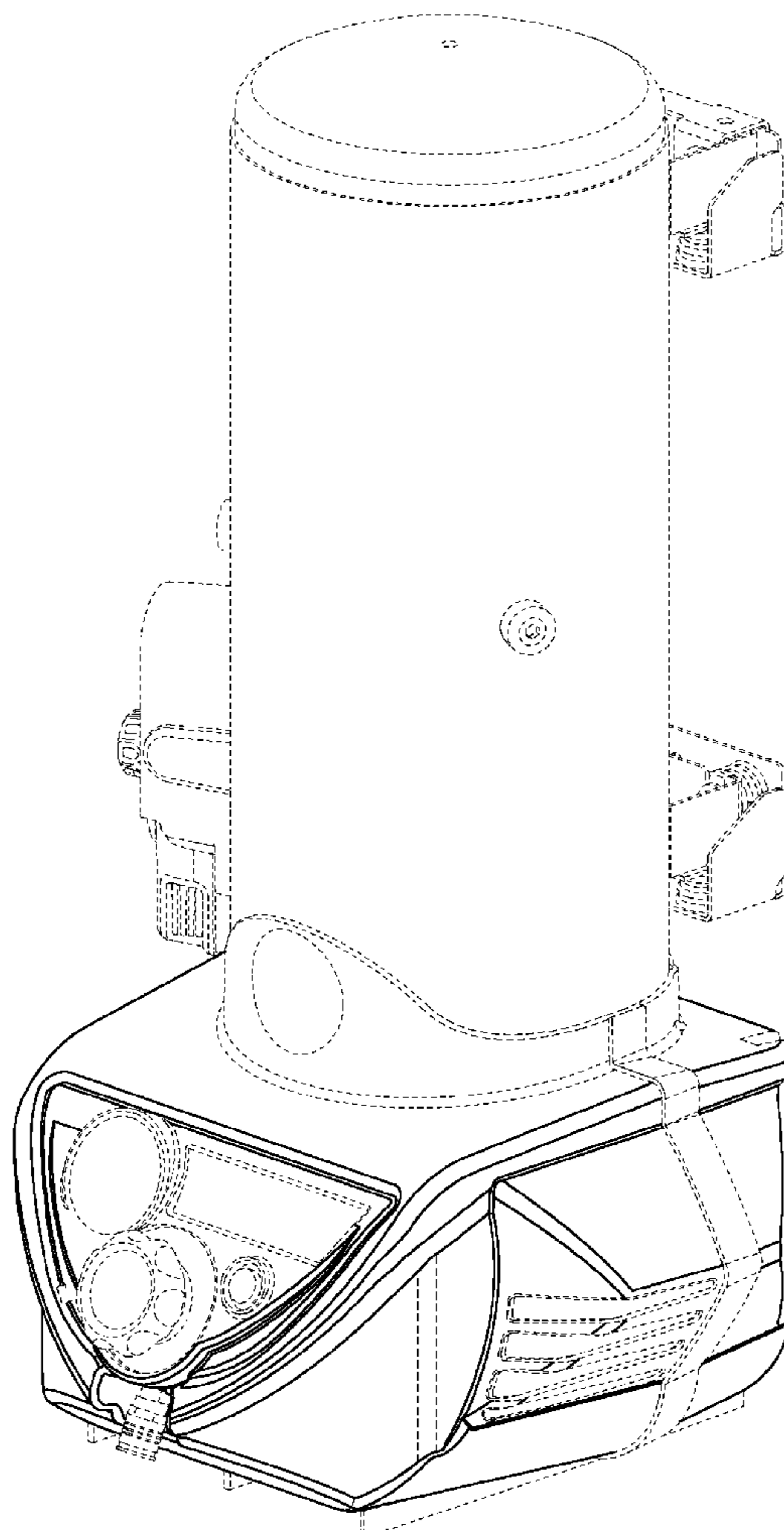
The broken lines in the figures are for illustrative purposes only and form no part of the claimed design.

(56) **References Cited**

U.S. PATENT DOCUMENTS

D404,040 S * 1/1999 Suthmann D15/7
D423,518 S * 4/2000 Milligan et al. D15/9

1 Claim, 7 Drawing Sheets



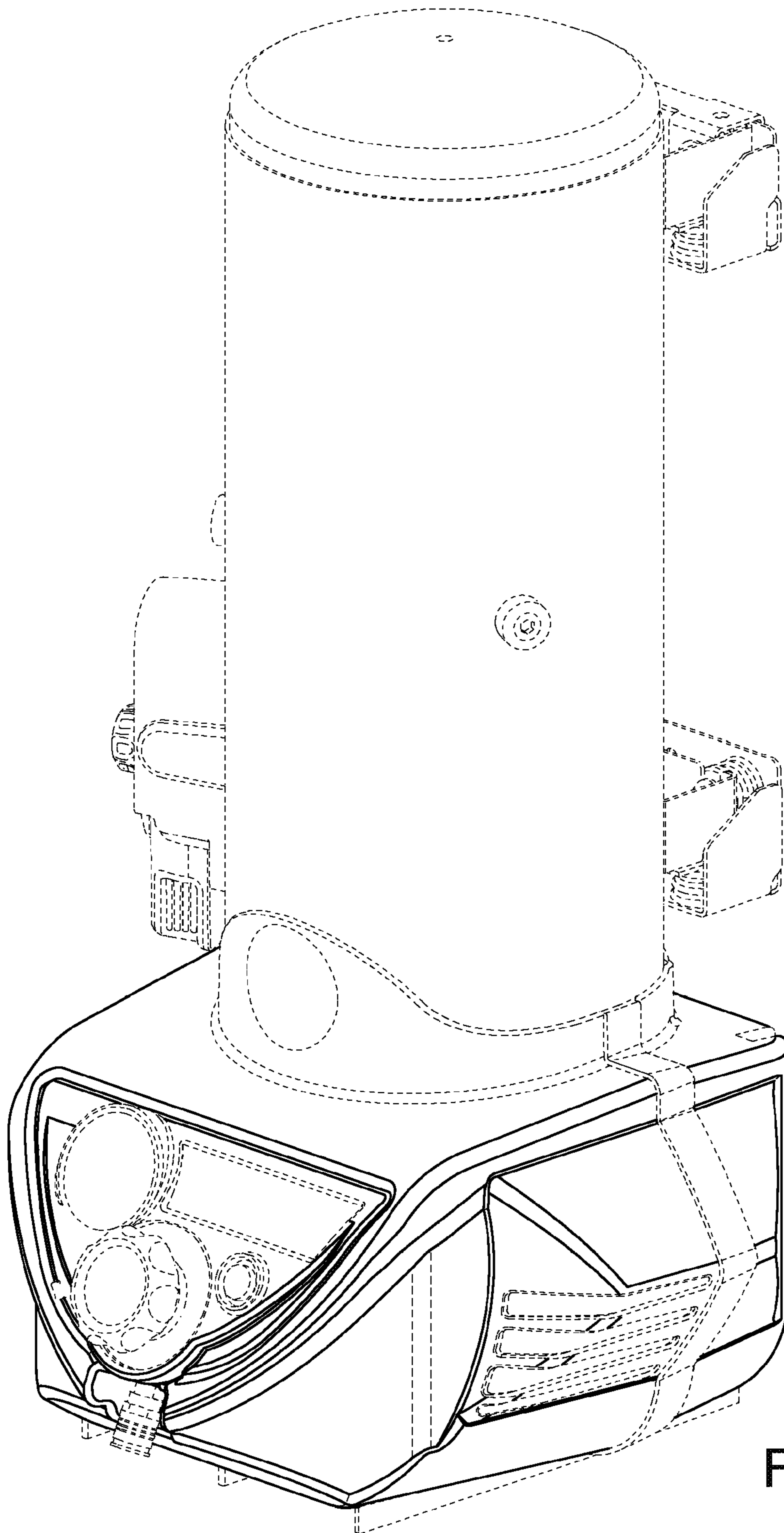


Fig. 1

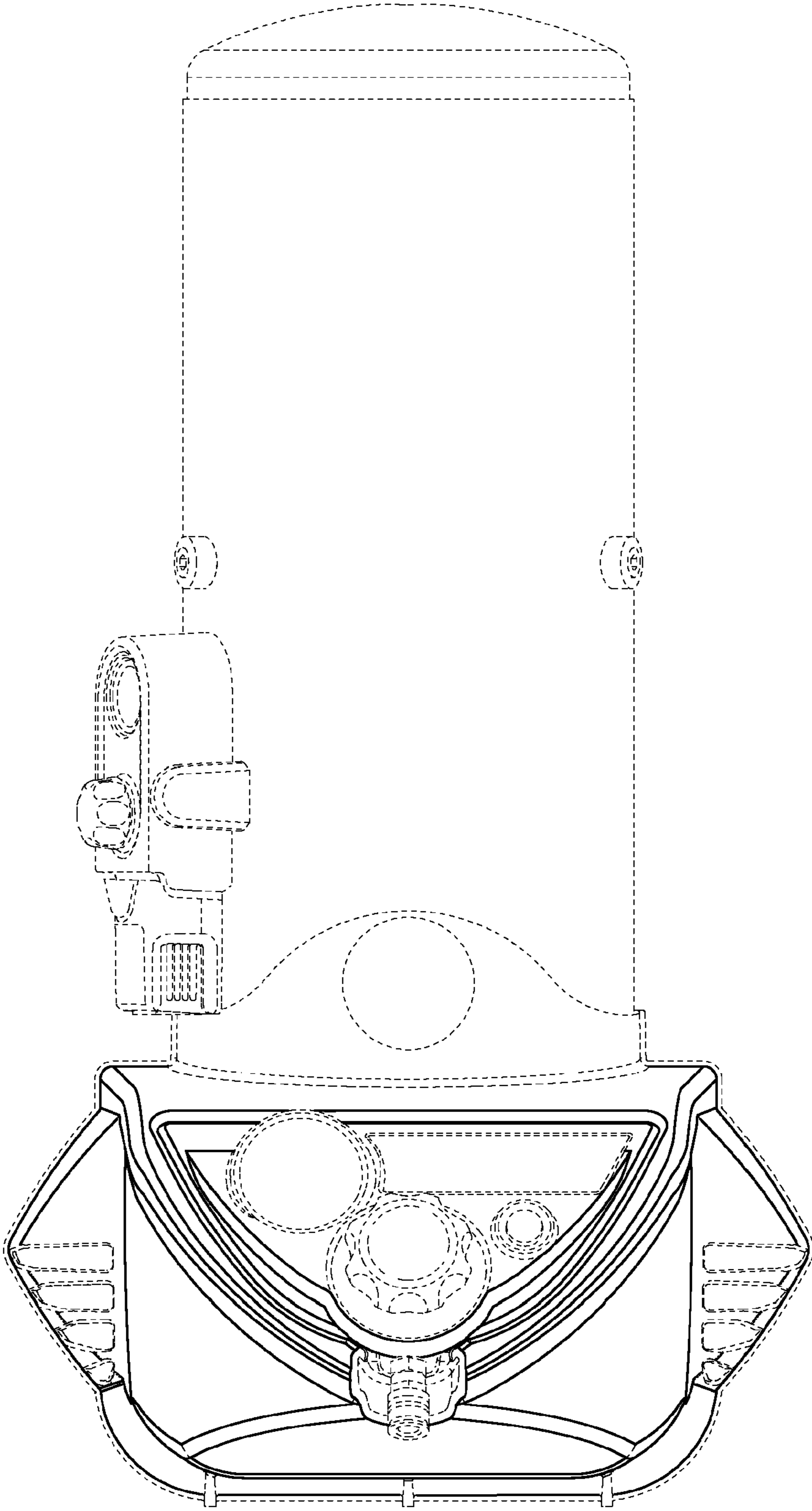


Fig. 2

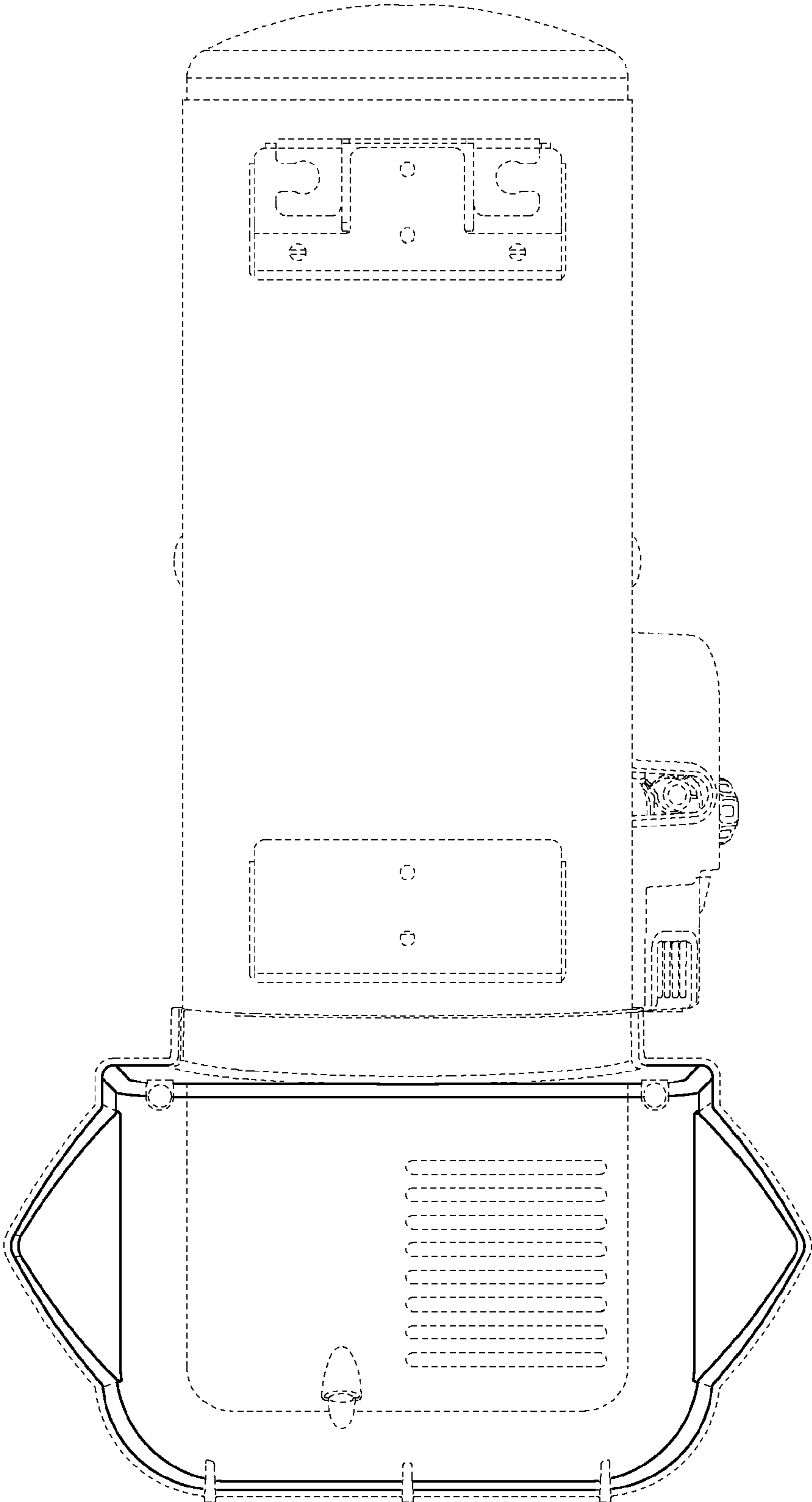


Fig. 3

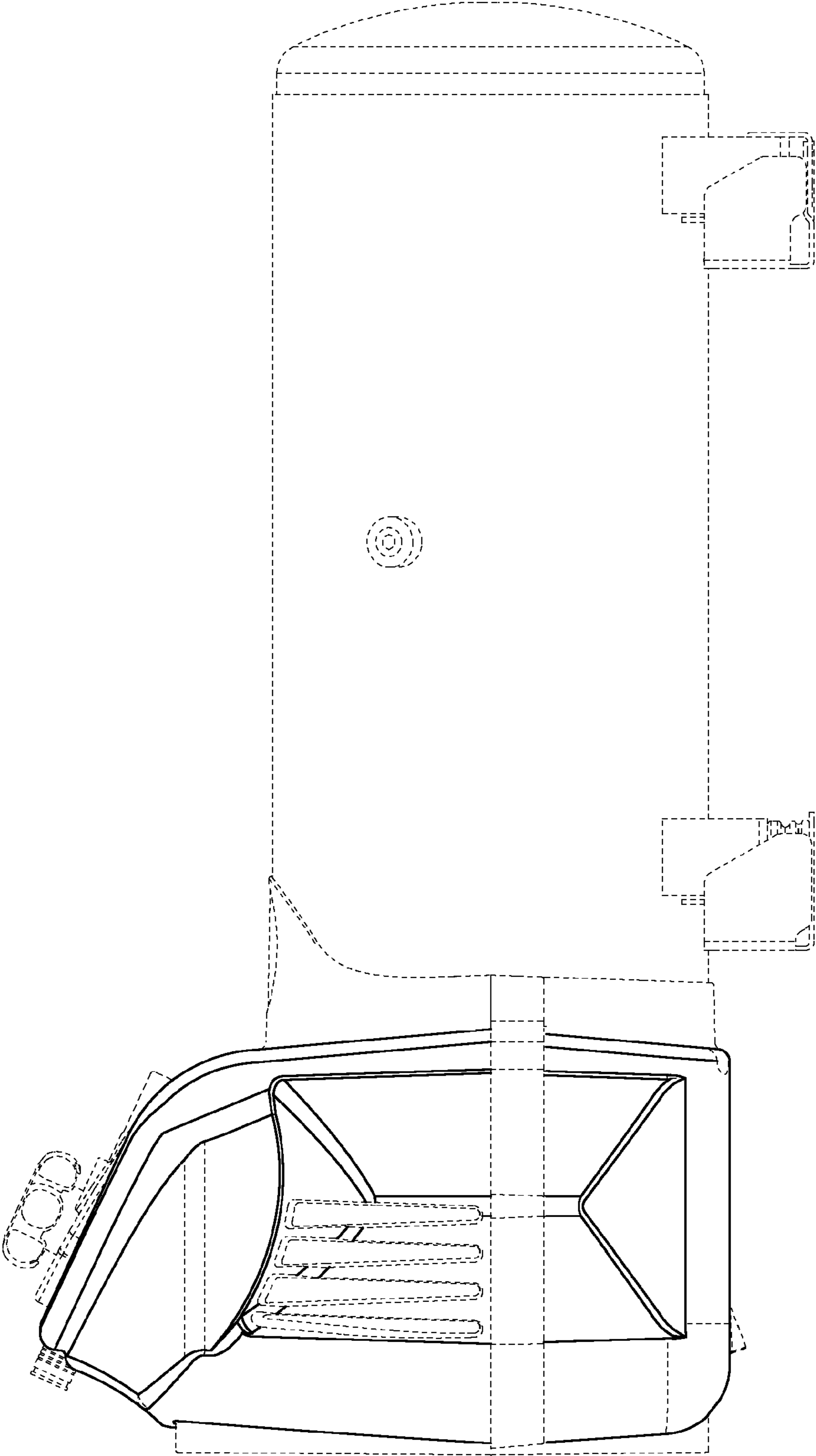


Fig. 4

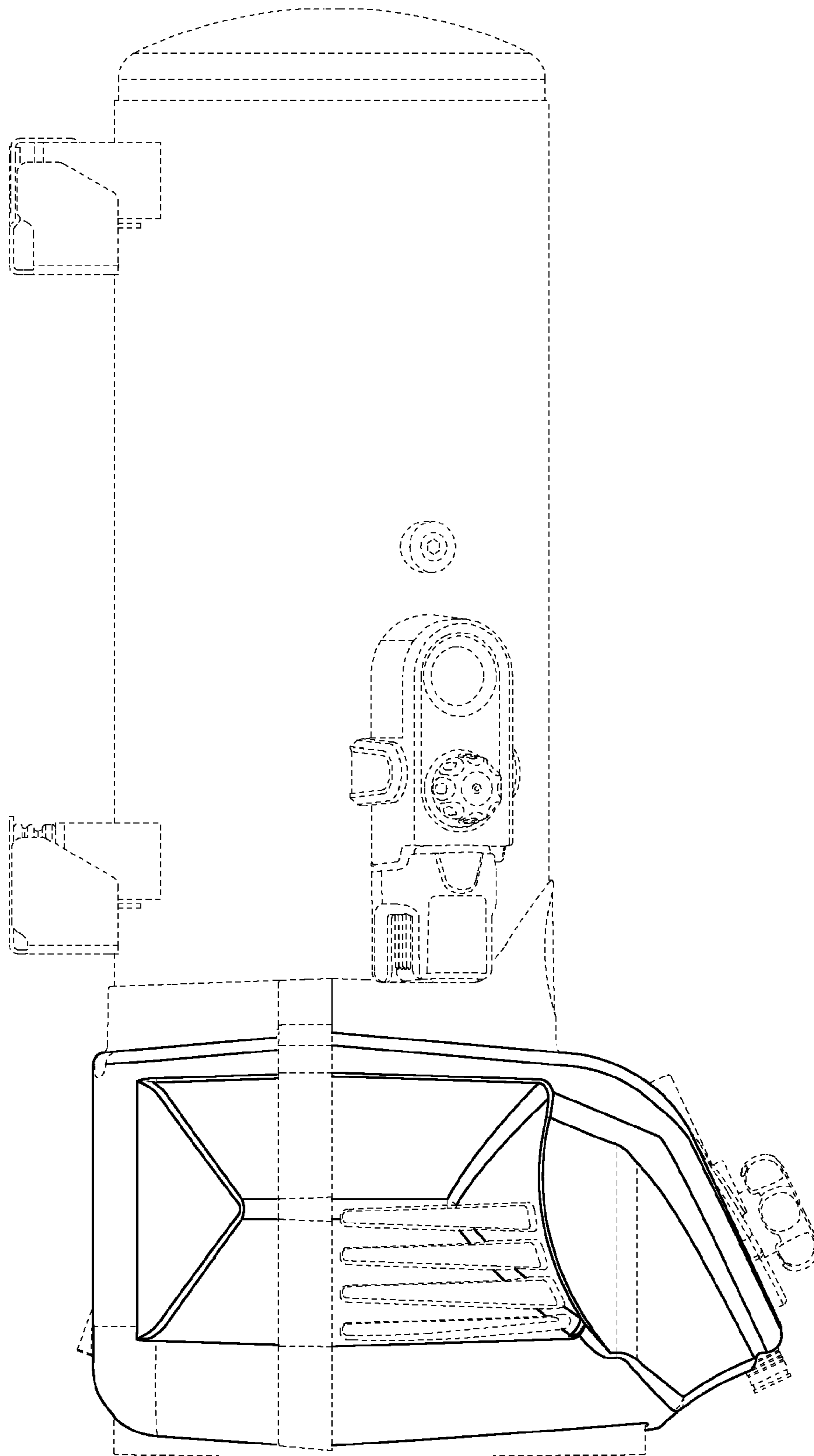


Fig. 5

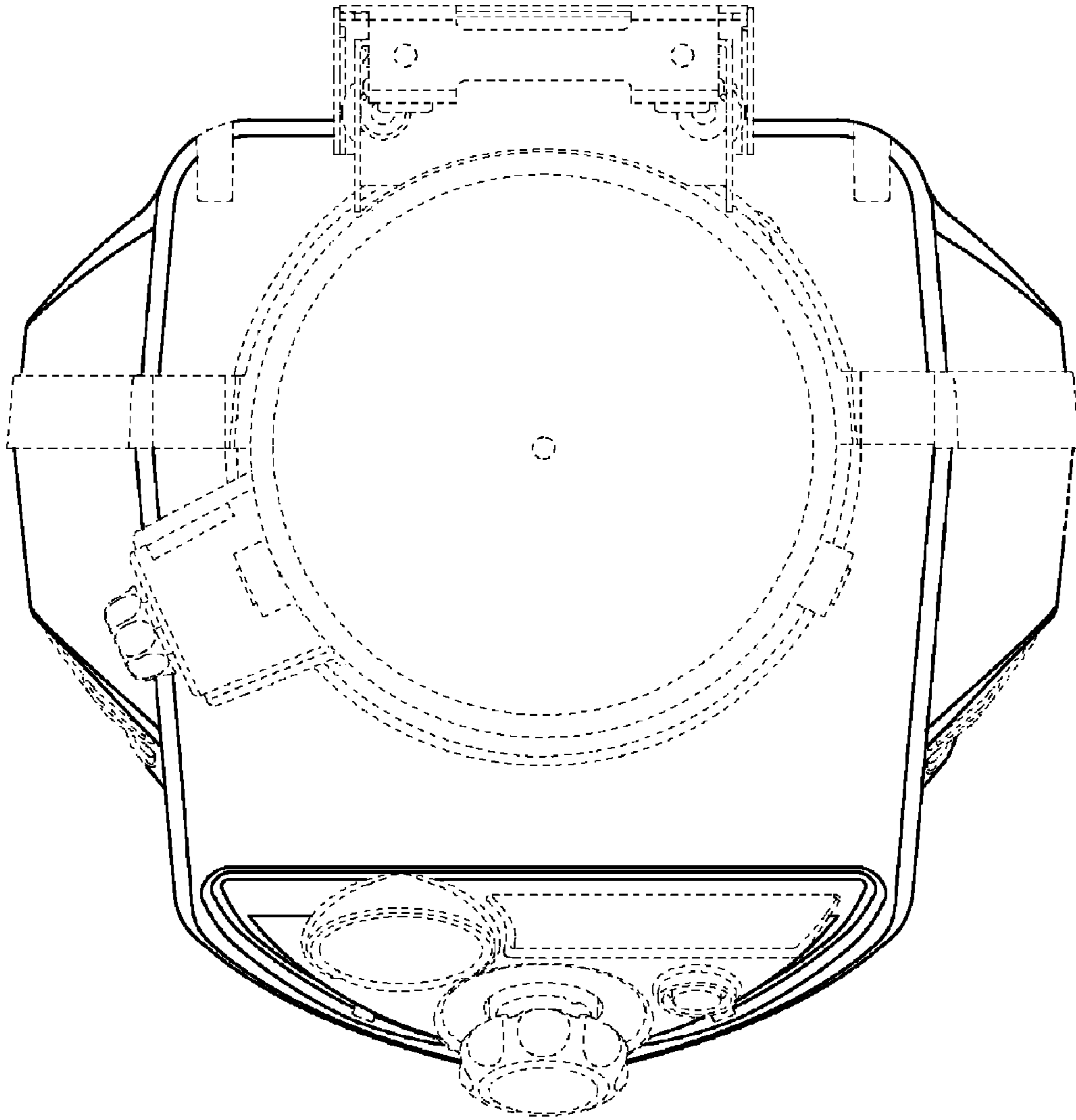


Fig. 6

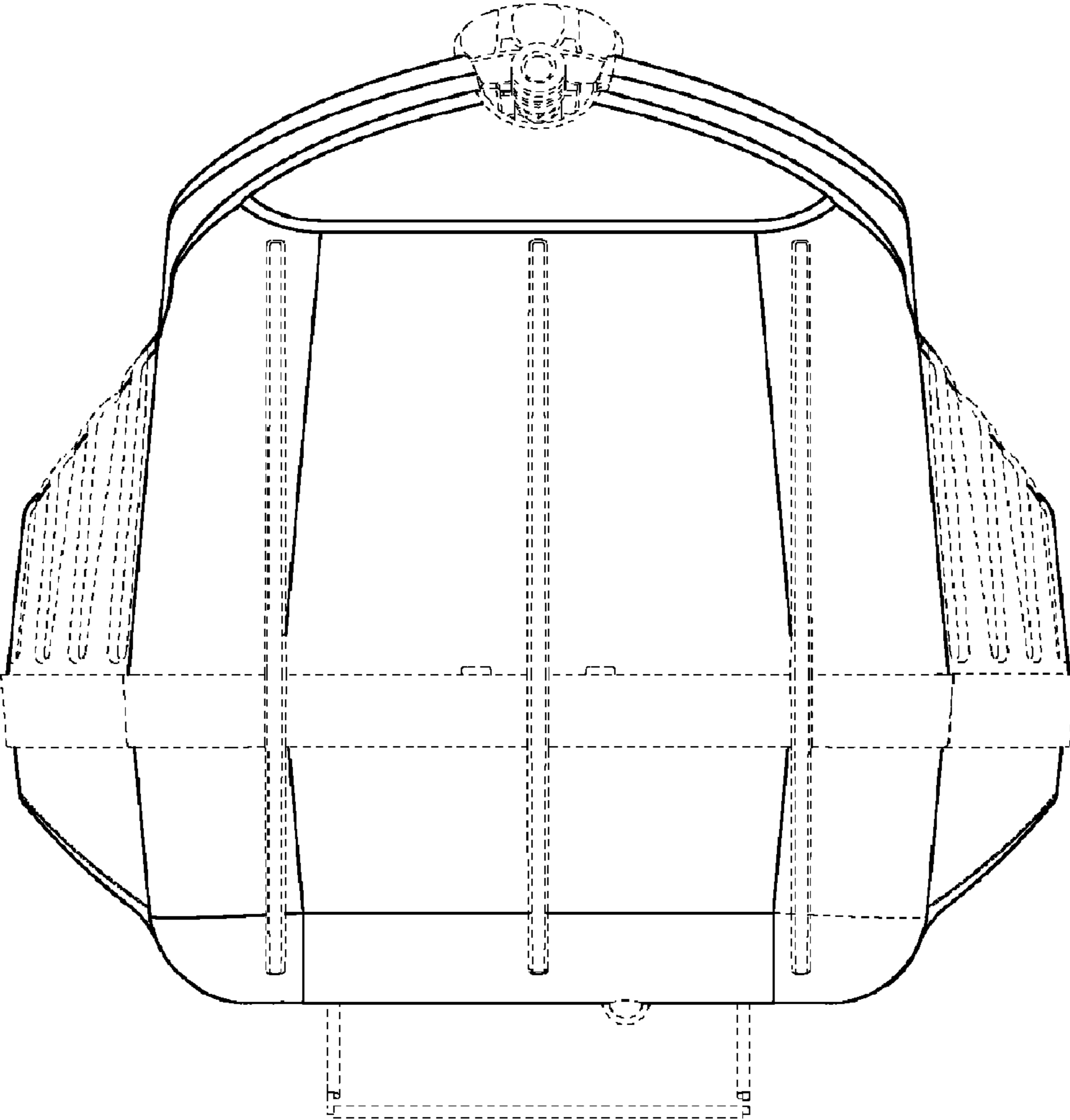


Fig. 7