



US00D636791S

(12) **United States Design Patent**
McAlpine et al.

(10) **Patent No.:** **US D636,791 S**
(45) **Date of Patent:** **** Apr. 26, 2011**

(54) **MINE DEWATERING APPARATUS**

(75) Inventors: **Michael McAlpine**, Caloundra (AU);
Robert Turner, Caloundra (AU)

(73) Assignee: **Weir Minerals Australia, Ltd.** (AU)

(**) Term: **14 Years**

(21) Appl. No.: **29/314,293**

(22) Filed: **Mar. 18, 2009**

(30) **Foreign Application Priority Data**

Sep. 22, 2008 (AU) 14528/2008

(51) **LOC (9) Cl.** **15-02**

(52) **U.S. Cl.** **D15/7**

(58) **Field of Classification Search** D15/7-9;
D23/231, 232, 225; 417/60, 235, 265, 321,
417/355, 358, 363, 359, 410.1, 415-416,
417/405, 900; 60/408, 412; 184/26-37;
415/140-147; 123/495, 509

See application file for complete search history.

(56) **References Cited**

U.S. PATENT DOCUMENTS

D155,094 S * 9/1949 Lewis D3/209
D183,115 S * 7/1958 Calloway D15/9
D202,843 S * 11/1965 Dales D3/208

D229,717 S * 12/1973 Mixon D15/7
D241,459 S * 9/1976 Versten D21/401
D276,434 S * 11/1984 Laney D15/7
4,854,822 A * 8/1989 Darroch 417/62
D391,579 S * 3/1998 Myers D15/7
D573,341 S * 7/2008 van der Lande D3/209

* cited by examiner

Primary Examiner — Ralf Seifert

(74) *Attorney, Agent, or Firm* — Morriss O'Bryant
Compagni

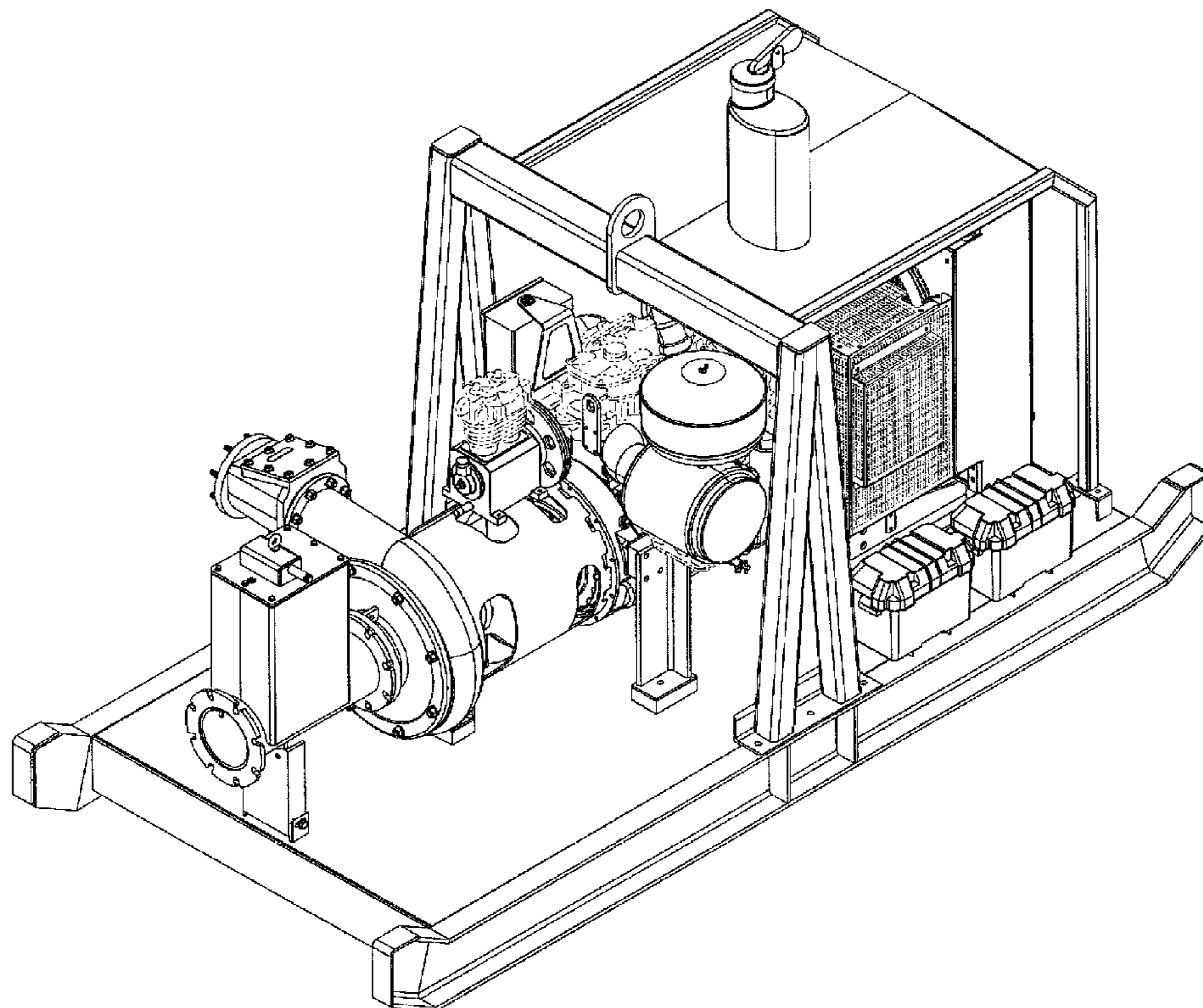
(57) **CLAIM**

The ornamental design for the mine dewatering apparatus, as shown and described herein.

DESCRIPTION

FIG. 1 is a perspective view of the present invention depicting a first end of the mine dewatering apparatus;
FIG. 2 is a perspective view of the invention depicting a second end of the mine dewatering apparatus shown in FIG. 1;
FIG. 3 is a side view in elevation of the mine dewatering apparatus;
FIG. 4 is a side view in elevation of the invention as shown in FIG. 3, rotated 180°;
FIG. 5 is a side view in elevation of the invention as shown in FIG. 4, rotated 90° to the left; and,
FIG. 6 is a plan view of the invention.

1 Claim, 6 Drawing Sheets



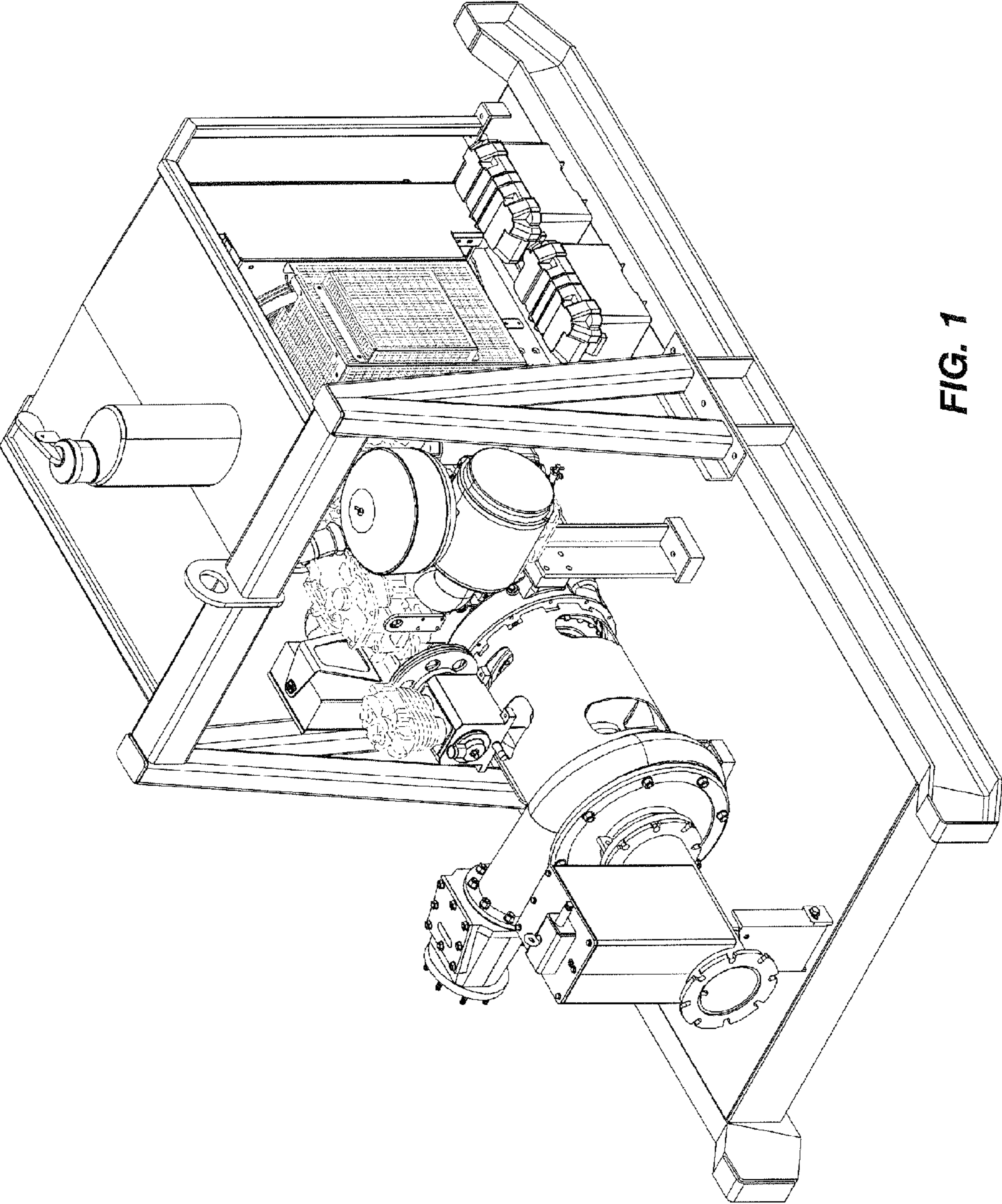


FIG. 1

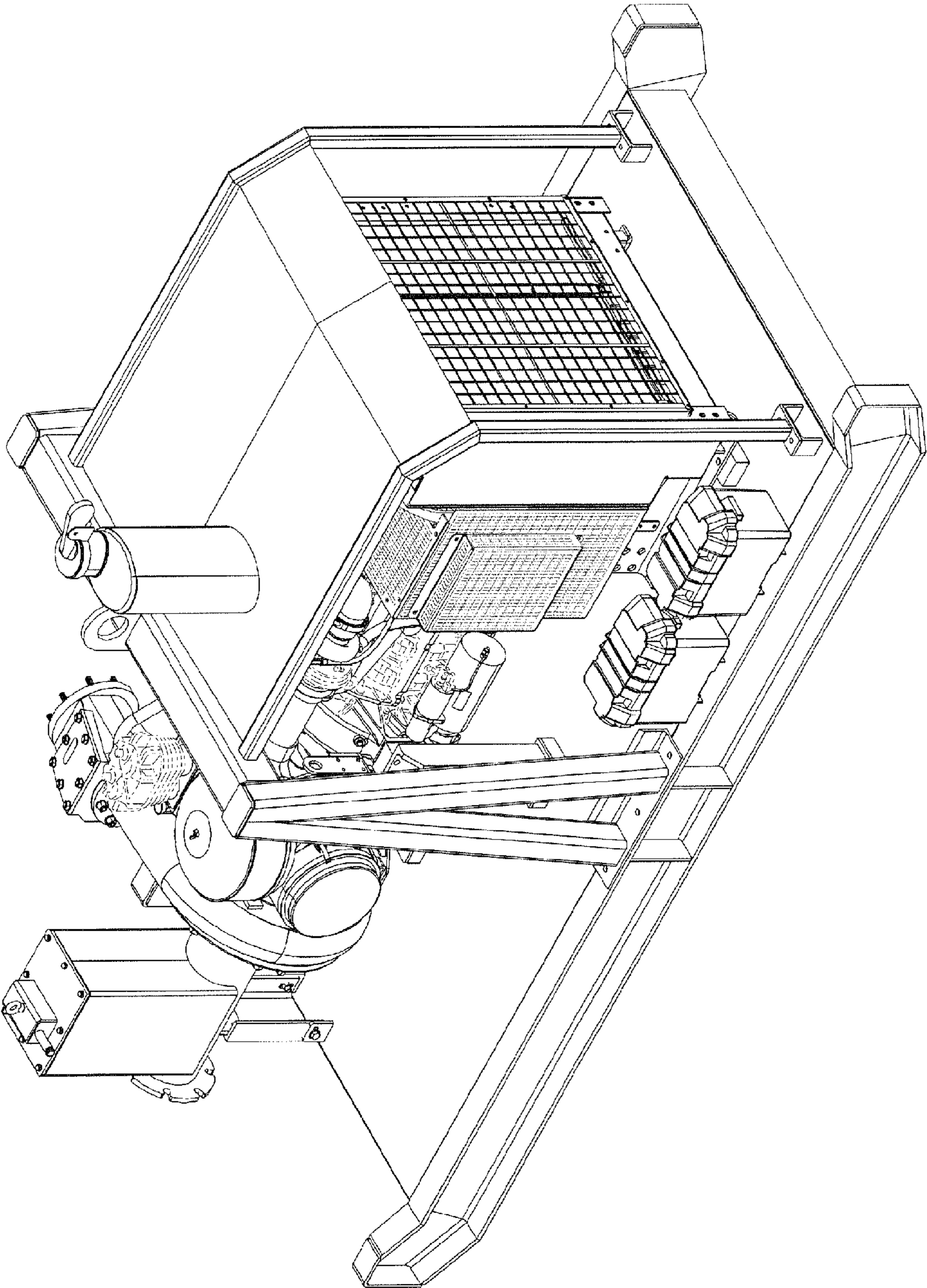


FIG. 2

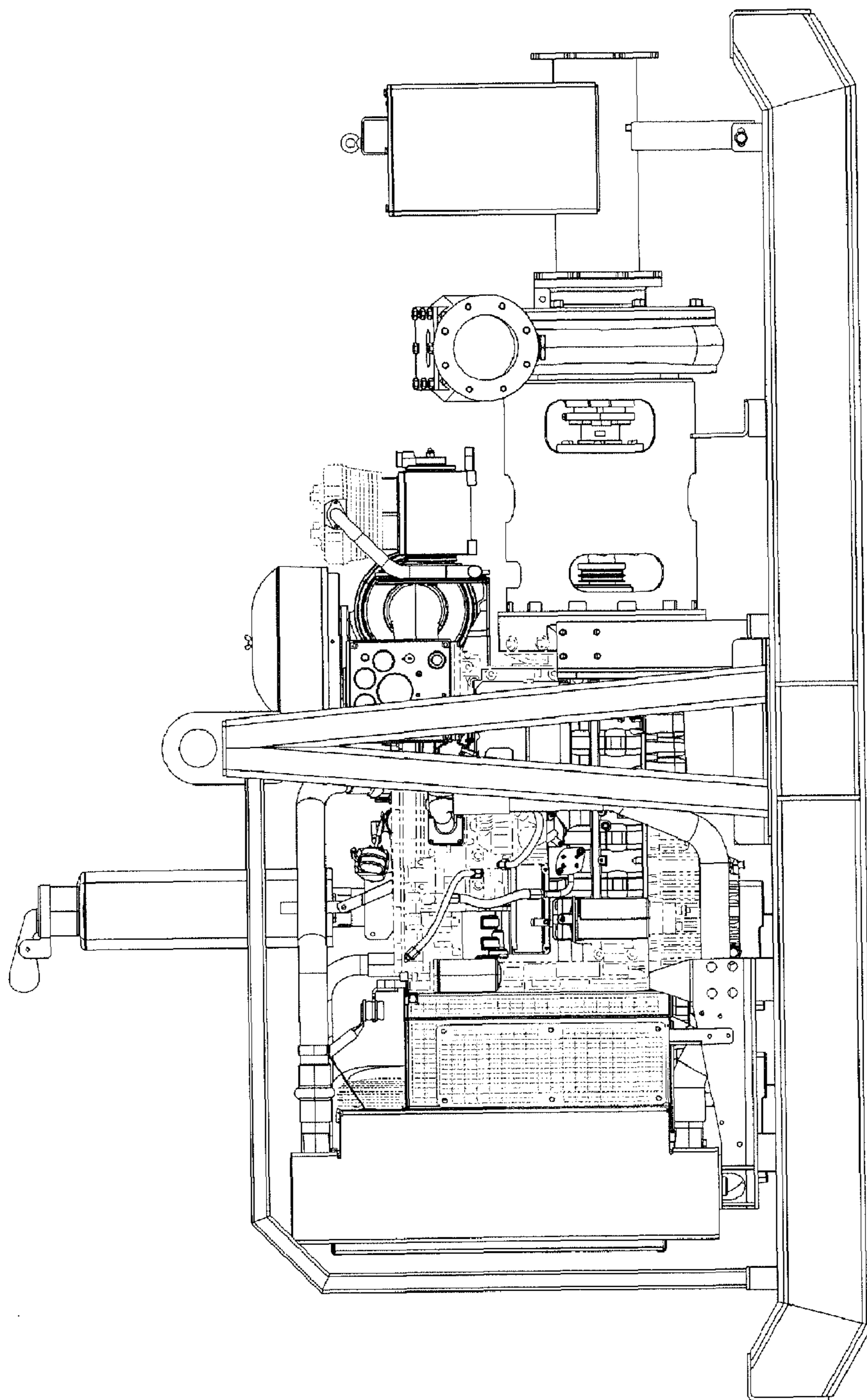


FIG. 3

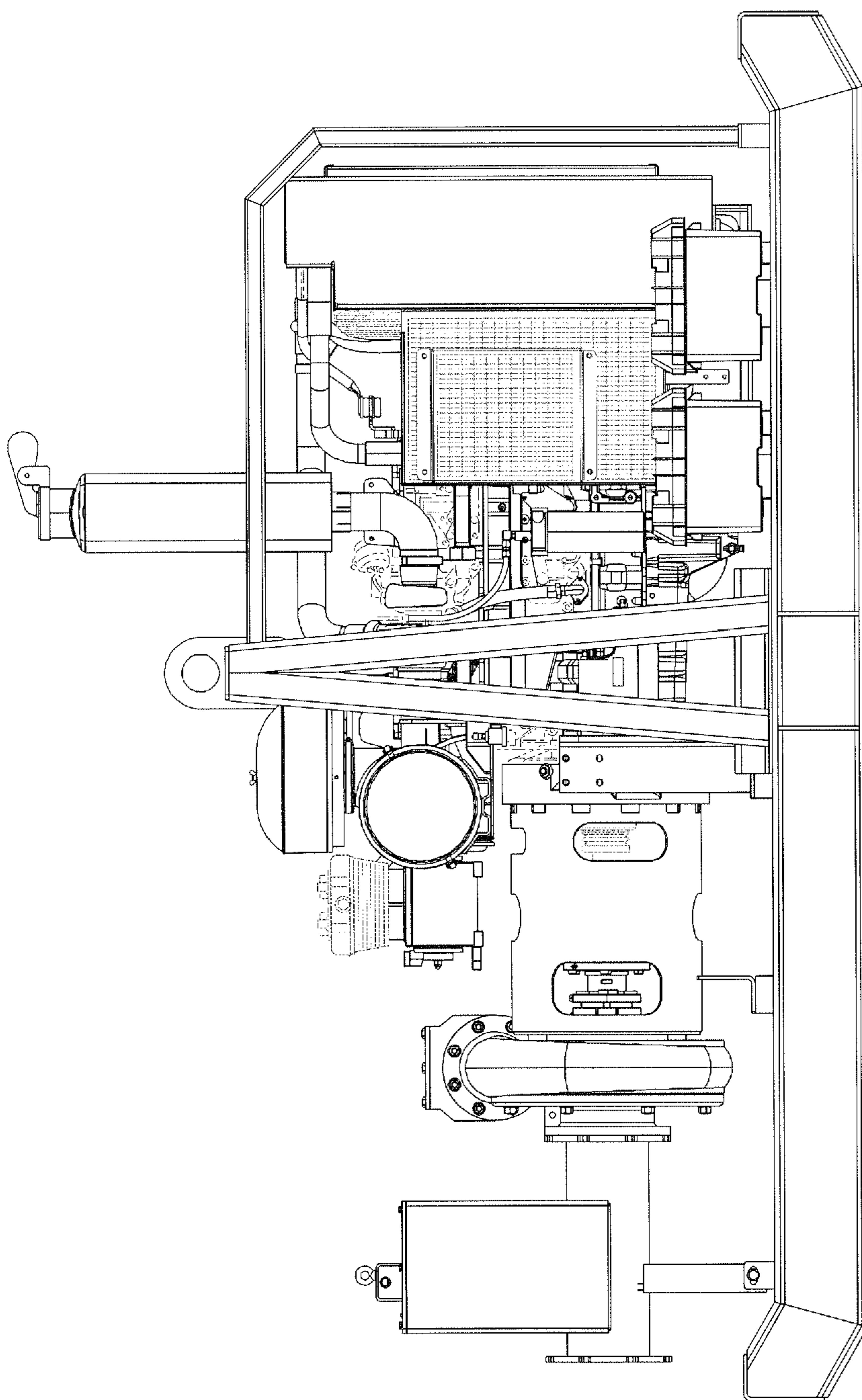


FIG. 4

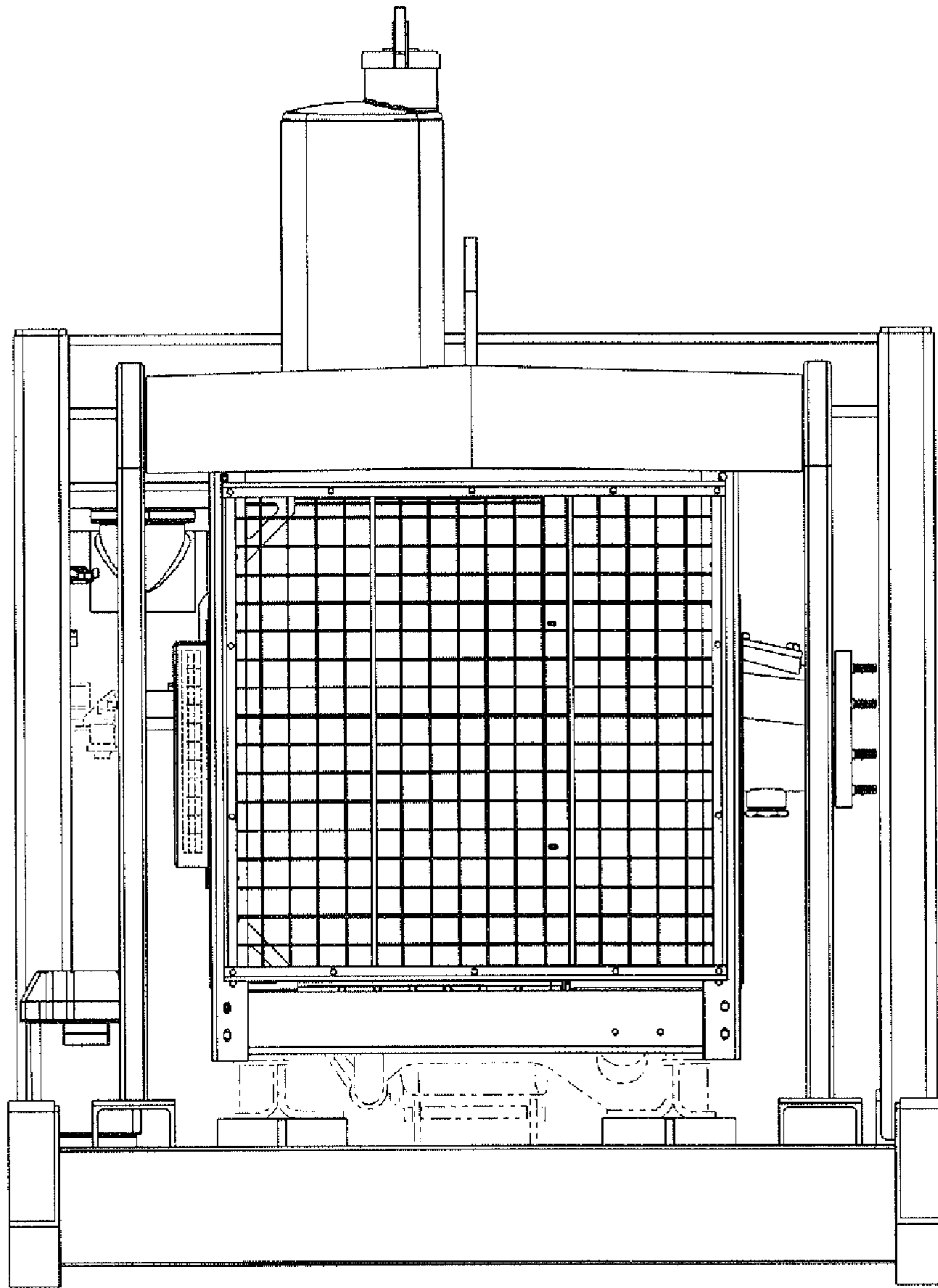


FIG. 5

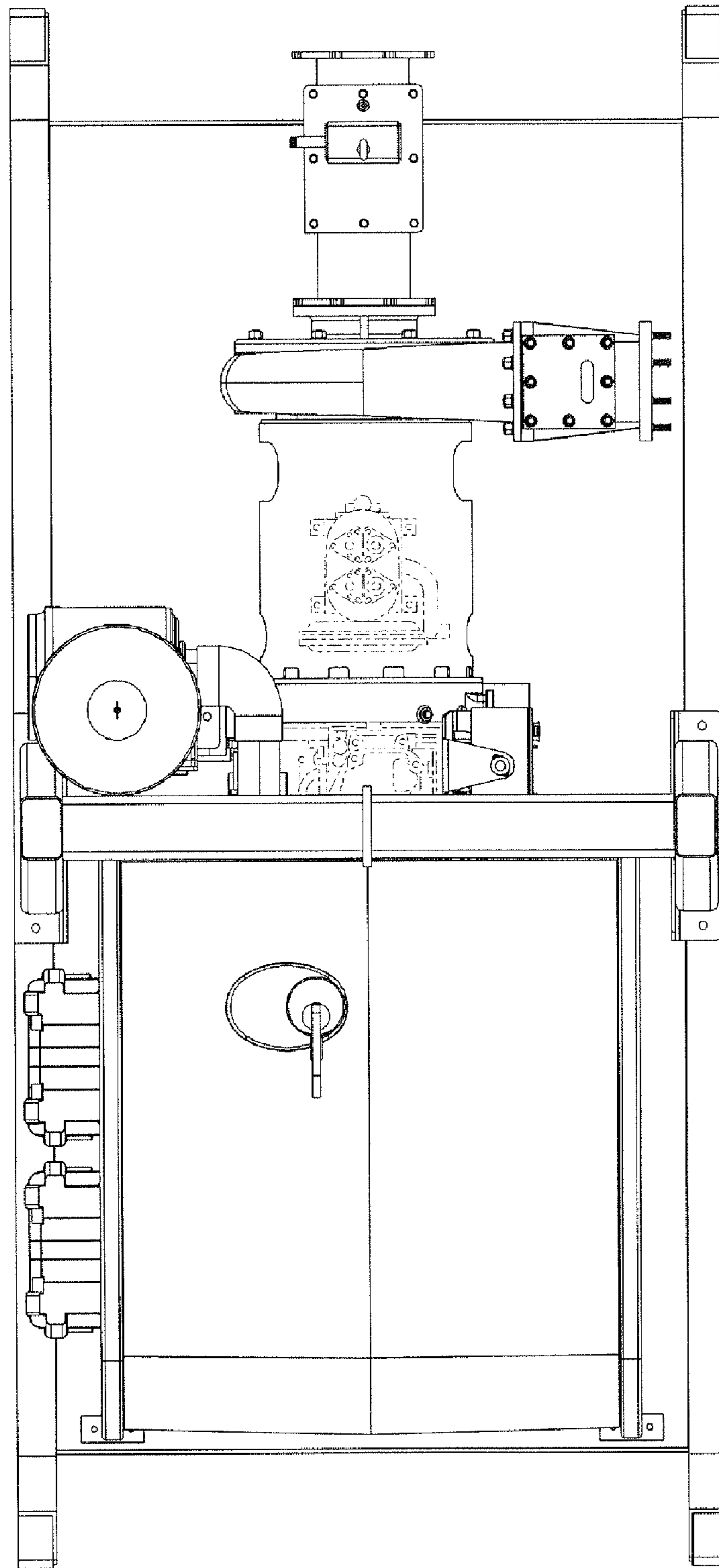


FIG. 6