

US00D636790S

(12) **United States Design Patent**
Brooks et al.

(10) **Patent No.:** **US D636,790 S**

(45) **Date of Patent:** **** Apr. 26, 2011**

(54) **SHAFT COLLAR**

(75) Inventors: **Scott Brooks**, Upton, MA (US);
William Hewitson, Norton, MA (US);
Robert G. Ruland, Lincoln, MA (US)

(73) Assignee: **Ruland Manufacturing Company, Inc.**,
Marlborough, MA (US)

(**) Term: **14 Years**

(21) Appl. No.: **29/379,013**

(22) Filed: **Nov. 12, 2010**

Related U.S. Application Data

(62) Division of application No. 29/327,055, filed on Oct. 29, 2008, now Pat. No. Des. 629,016.

(51) **LOC (9) Cl.** **15-01**

(52) **U.S. Cl.** **D15/5**

(58) **Field of Classification Search** D15/5,
D15/143; D8/354-356, 394-396; D23/264,
D23/265; 403/19; 248/49, 56, 62, 65, 74.2,
248/74.4

See application file for complete search history.

(56) **References Cited**

U.S. PATENT DOCUMENTS

1,586,959 A * 6/1926 Blake 269/165
2,163,315 A * 6/1939 Dalrymple 403/344

2,270,466 A * 1/1942 Nash 403/350
3,323,816 A * 6/1967 Meibuhr 403/355
3,588,152 A * 6/1971 Shomo et al. 403/344
4,877,381 A * 10/1989 Johnson et al. 418/55.6
D629,016 S * 12/2010 Brooks et al. D15/5
2007/0163059 A1 * 7/2007 Wimberley 15/1
2008/0240849 A1 * 10/2008 Lindemann 403/261

* cited by examiner

Primary Examiner — Cathron C. Brooks

Assistant Examiner — Maurice Stevens

(74) *Attorney, Agent, or Firm* — Brian M. Dingman; Mirick,
O'Connell, DeMallie & Lougee, LLP

(57) **CLAIM**

The ornamental design for a shaft collar, as described and shown.

DESCRIPTION

FIG. 1 is a front, right perspective view of the shaft collar of the invention;

FIG. 2 is a front, top perspective view thereof;

FIG. 3 is a rear, right perspective view thereof;

FIG. 4 is a rear, left perspective view thereof;

FIG. 5 is a right, front perspective view thereof;

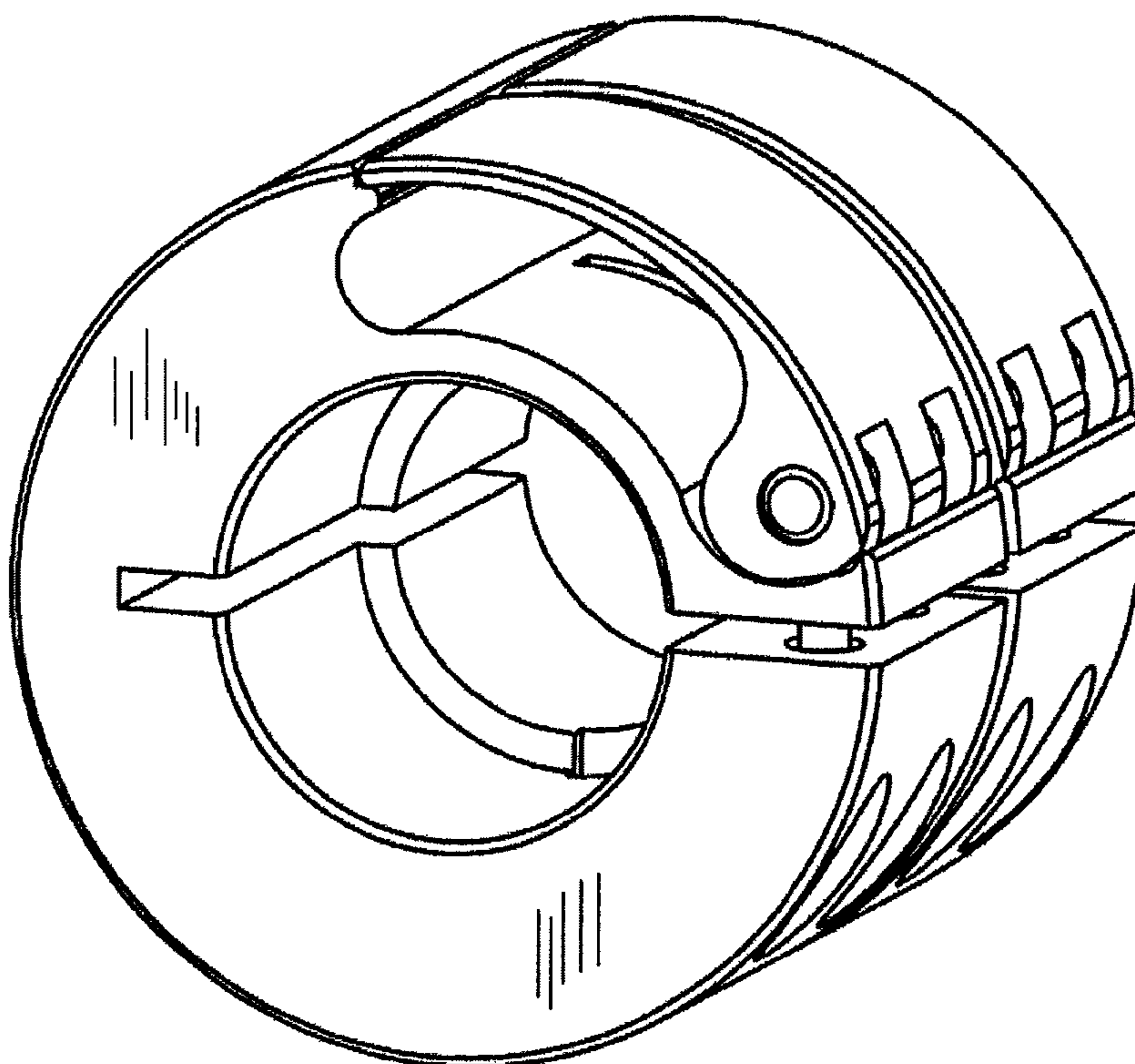
FIG. 6 is a front side view thereof;

FIG. 7 is a top side view thereof;

FIG. 8 is a bottom side view thereof; and,

FIG. 9 is a right side view thereof.

1 Claim, 7 Drawing Sheets



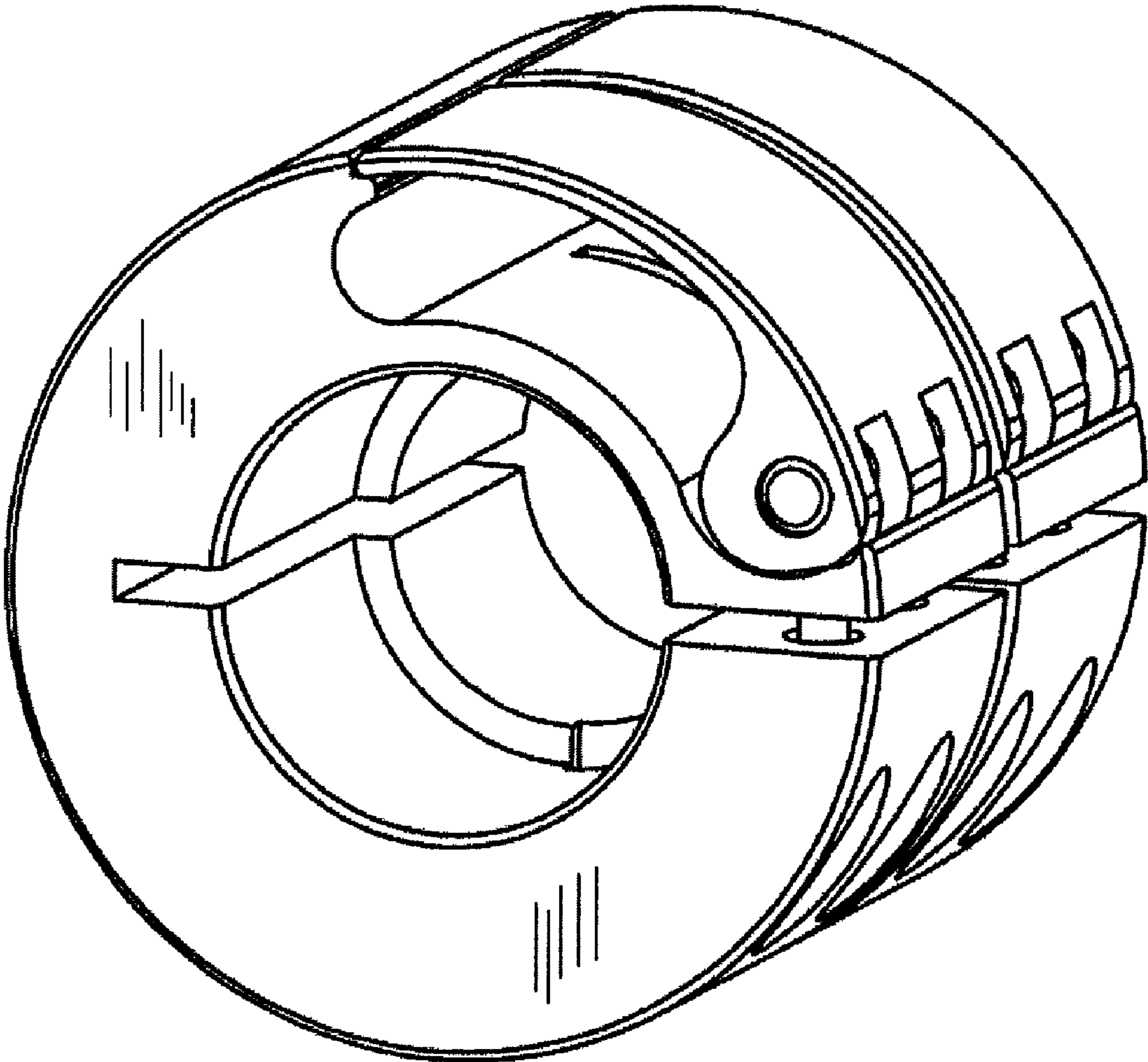


FIG. 1

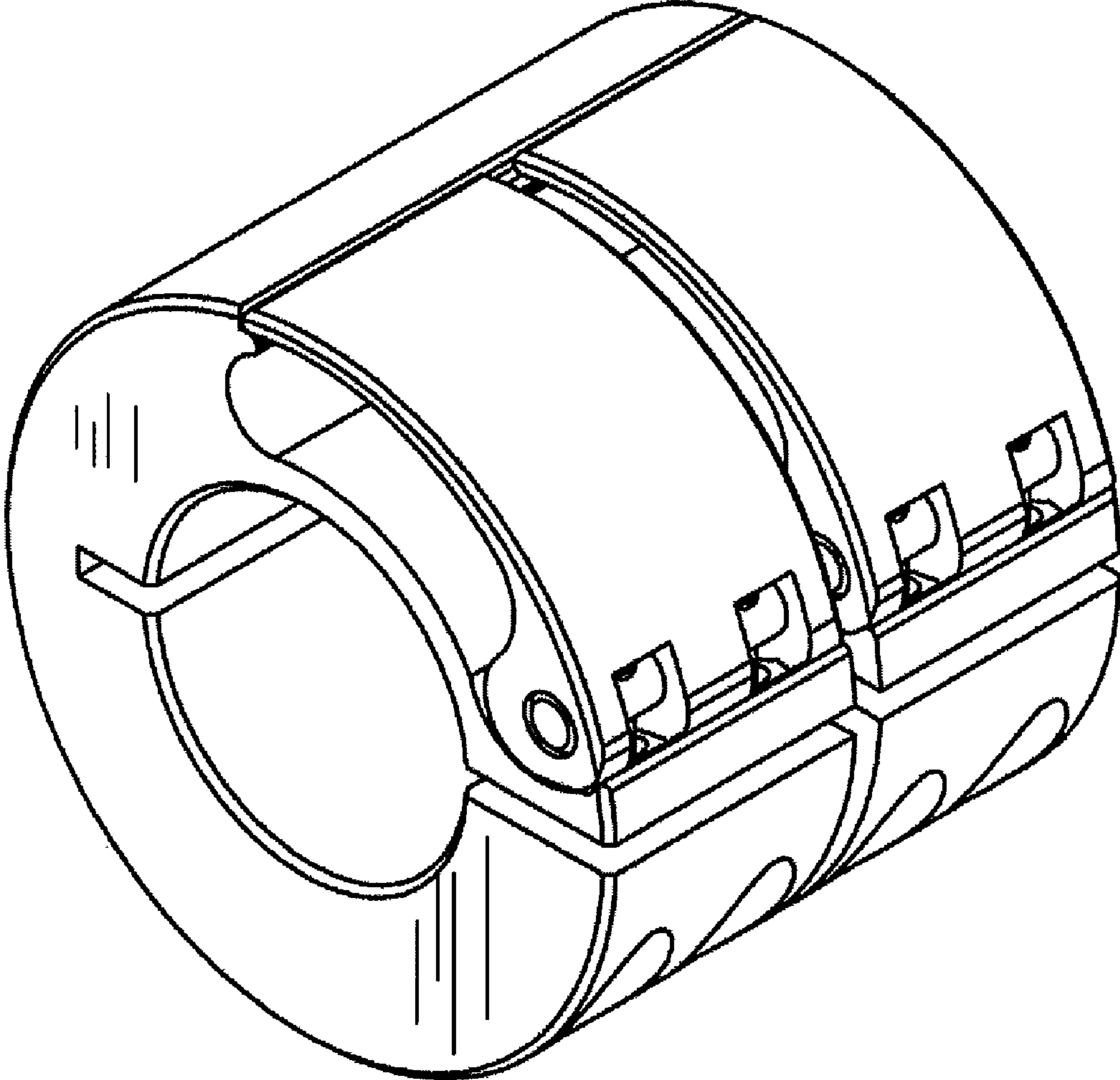


FIG. 2

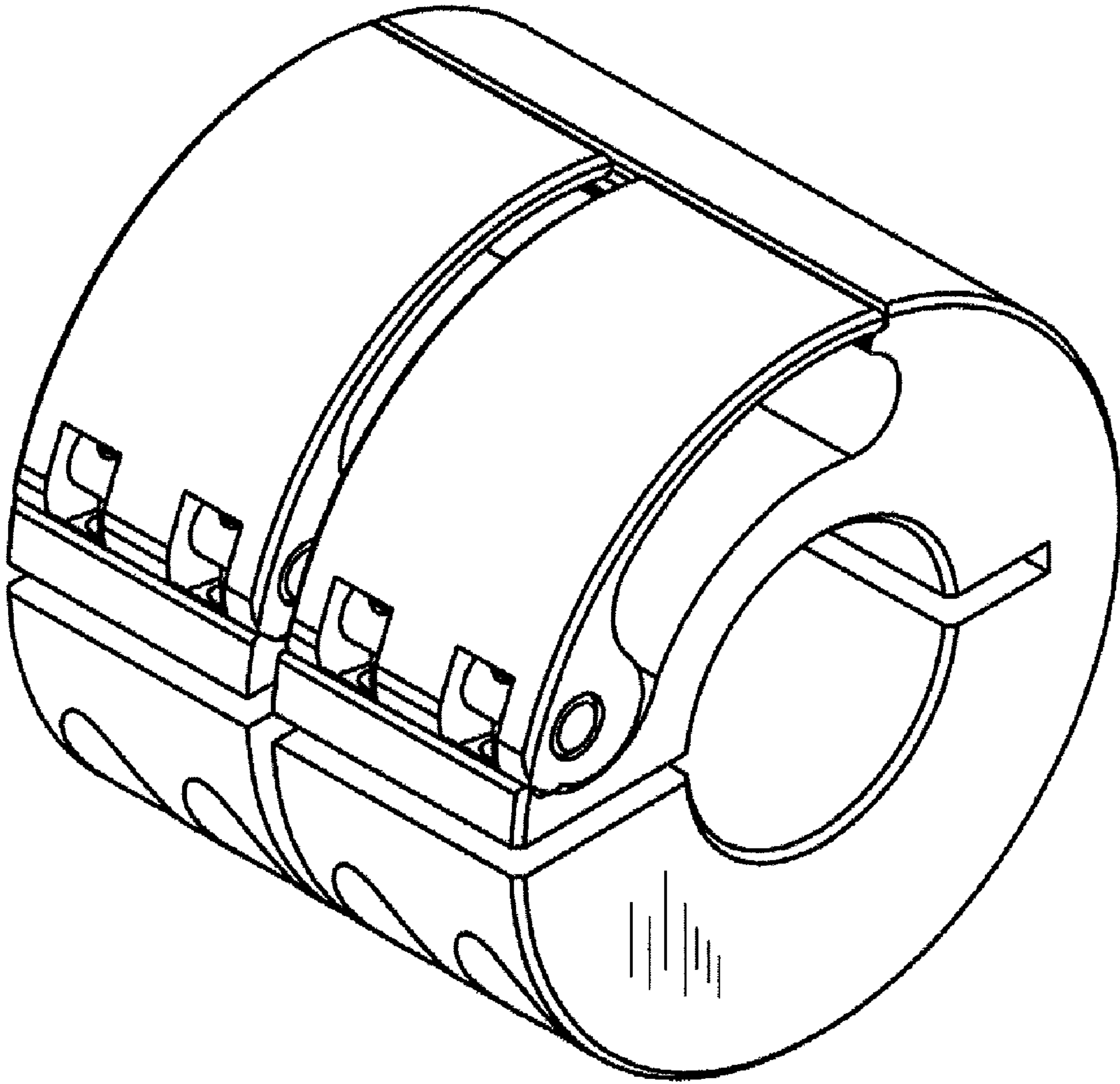


FIG. 3

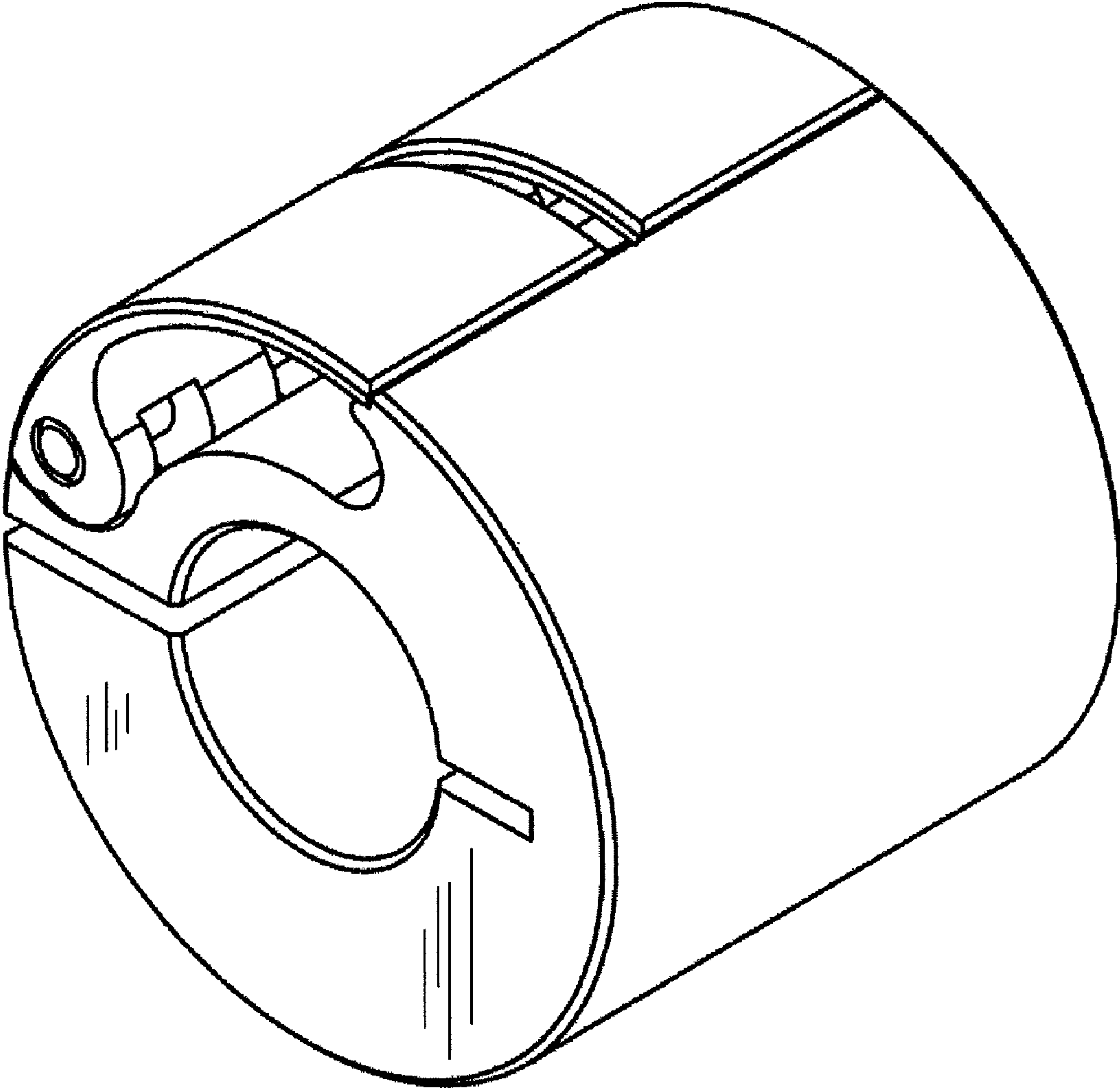


FIG. 4

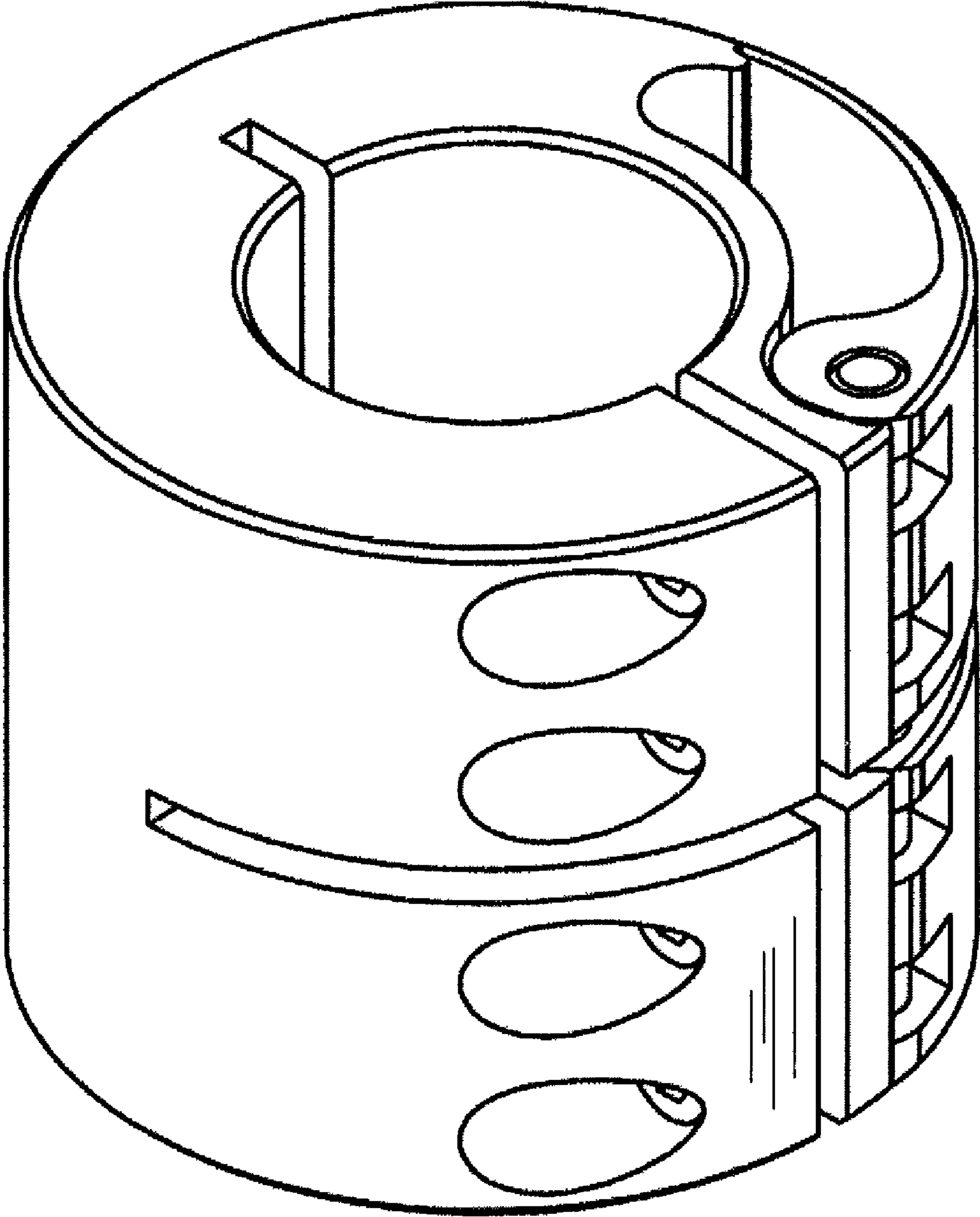


FIG. 5

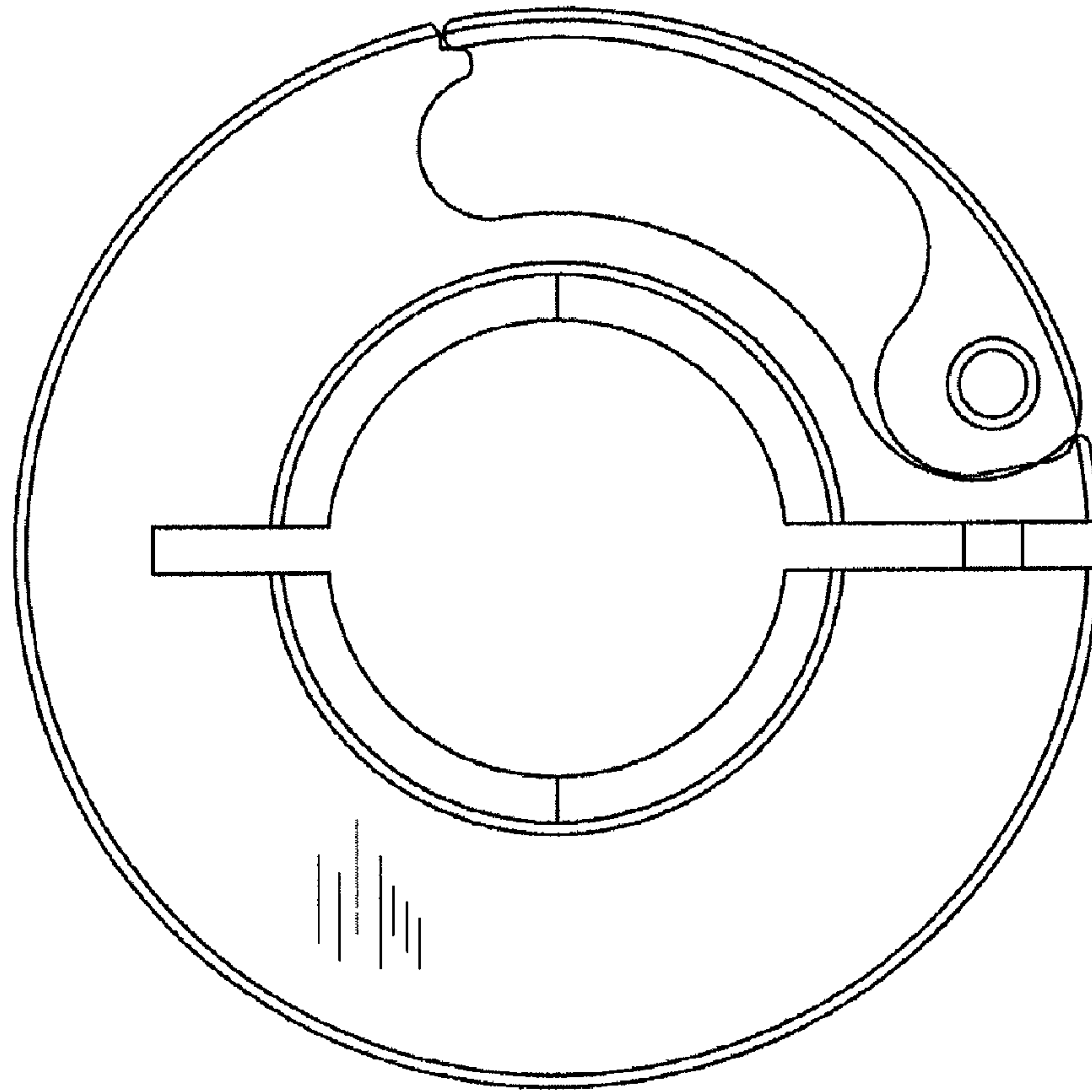


FIG. 6

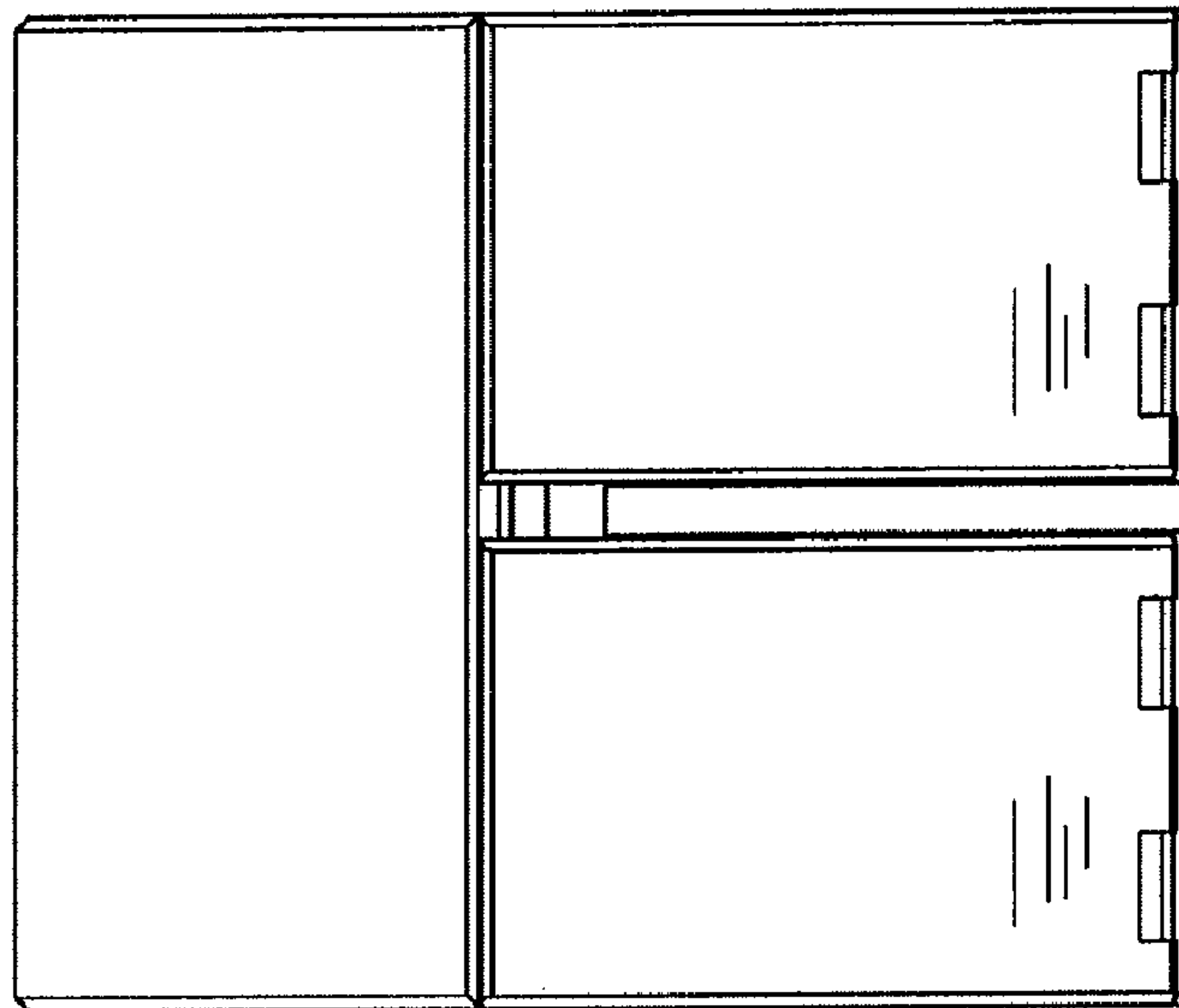


FIG. 7

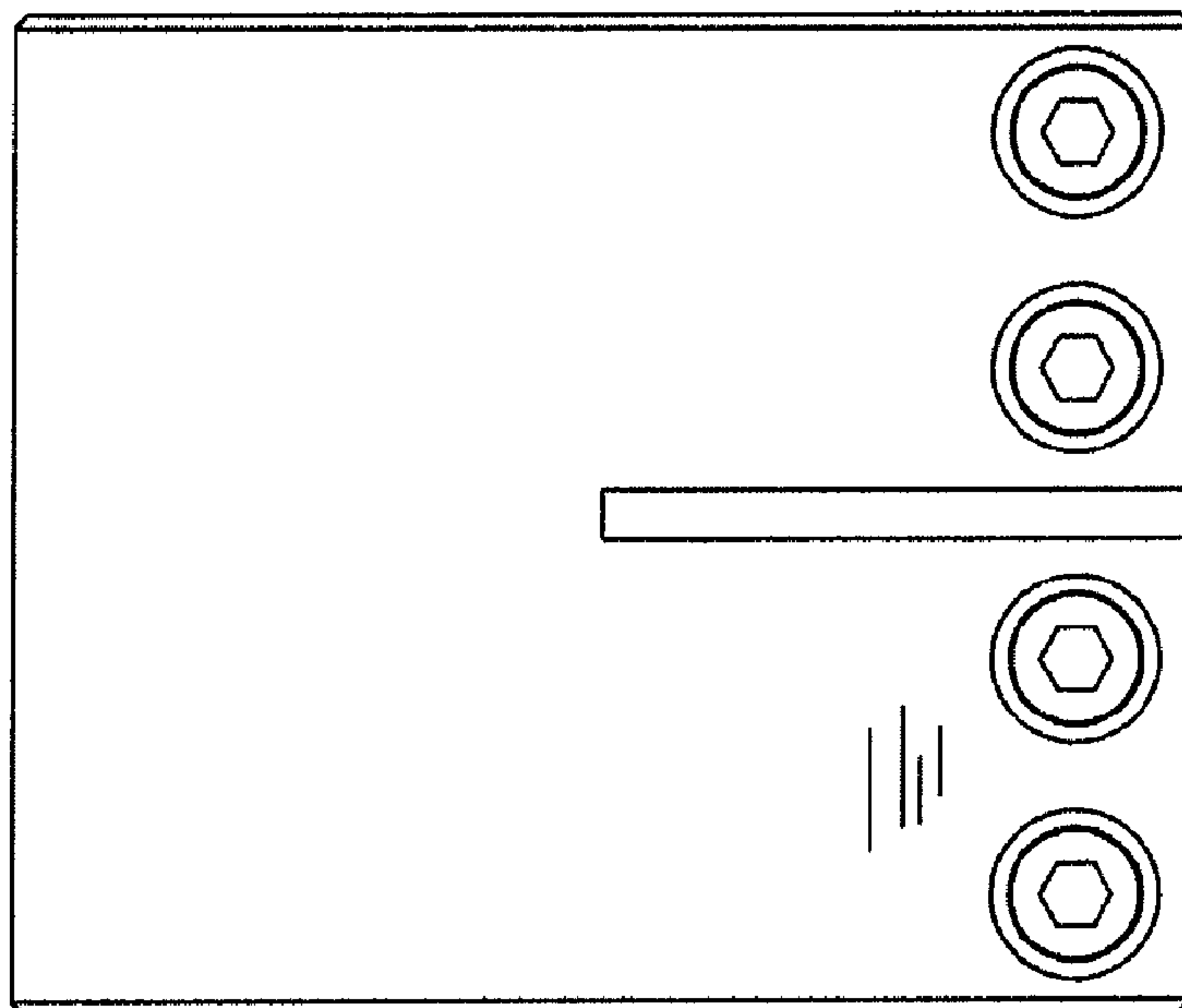


FIG. 8

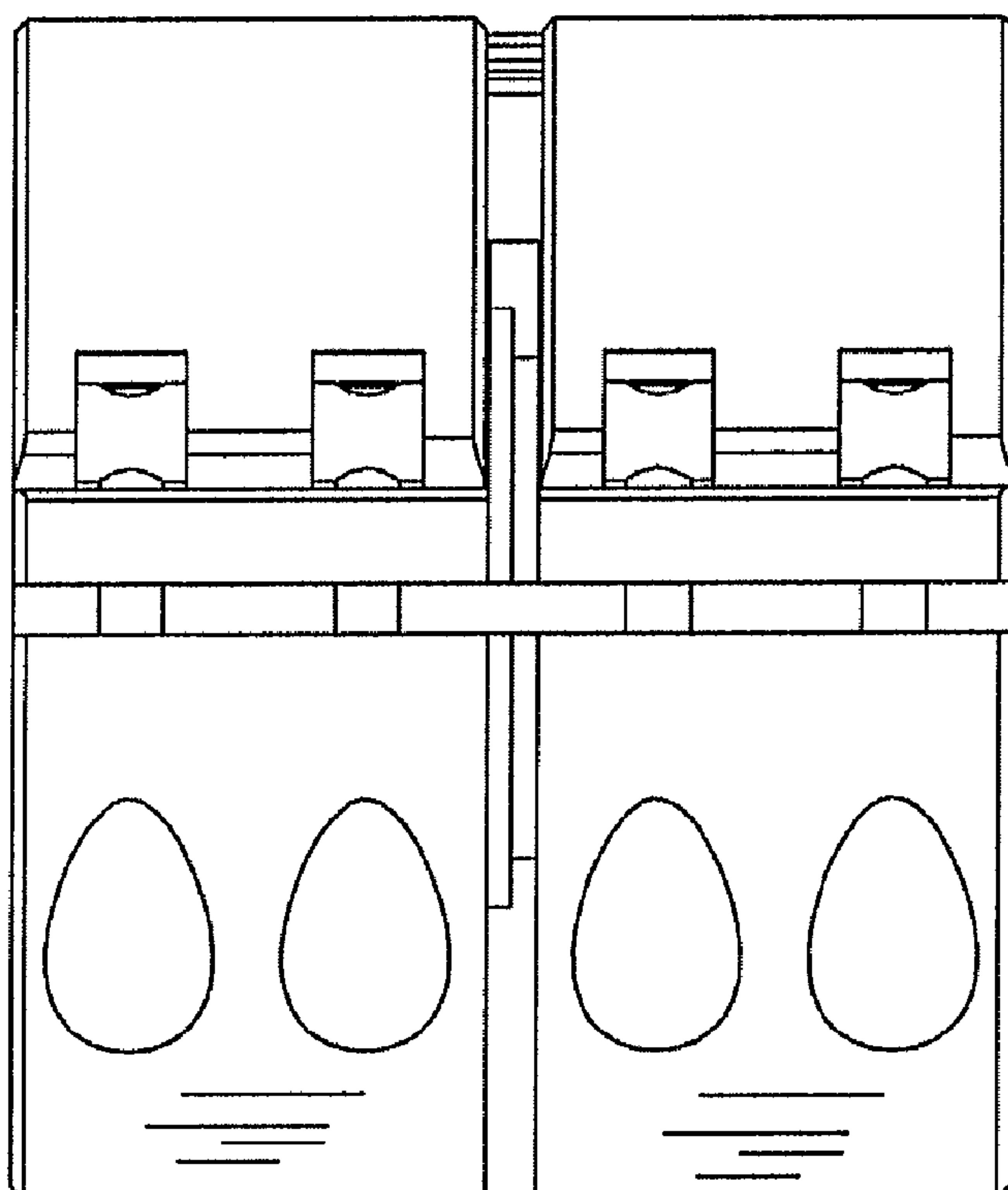


FIG. 9