



US00D636789S

(12) **United States Design Patent**
Hausler

(10) **Patent No.:** **US D636,789 S**

(45) **Date of Patent:** **** Apr. 26, 2011**

(54) **MOTOR**

(75) Inventor: **Wolfgang Hausler**, Munich (DE)

(73) Assignee: **Wacker Neuson SE**, Munich (DE)

(**) Term: **14 Years**

(21) Appl. No.: **29/363,305**

(22) Filed: **Jun. 8, 2010**

(30) **Foreign Application Priority Data**

Dec. 9, 2009 (EM) 001645367

(51) **LOC (9) Cl.** **15-01**

(52) **U.S. Cl.** **D15/5**

(58) **Field of Classification Search** D15/1,
D15/2, 3, 5, 6, 14, 17, 149; 123/22, 41.34,
123/51 A, 606 R, 52.1, 50 A, 50 B, 54.1,
123/54.2, 54.4, 54.5, 65 R, 195 R, 195 HC,
123/657, 311

See application file for complete search history.

(56) **References Cited**

U.S. PATENT DOCUMENTS

5,813,384 A * 9/1998 Lavender et al. 123/198 E
D553,645 S * 10/2007 Drew et al. D15/5
D594,476 S * 6/2009 Mayer et al. D15/5
D603,425 S * 11/2009 Che et al. D15/1

2009/0044777 A1 * 2/2009 Clouse et al. 123/179.18
2009/0085264 A1 * 4/2009 Caya et al. 267/140.11
2009/0293828 A1 * 12/2009 Iwata et al. 123/179.18
2009/0299614 A1 * 12/2009 Iwata et al. 701/113
2010/0176518 A1 * 7/2010 Halfmann et al. 261/35

* cited by examiner

Primary Examiner — T. Chase Nelson

Assistant Examiner — Ania K Dworzecka

(74) *Attorney, Agent, or Firm* — Boyle Fredrickson, S.C.

(57) **CLAIM**

The ornamental design for a motor, as shown and described.

DESCRIPTION

FIG. 1 is an isometric view of a motor incorporating my new design, viewed from in front of, above, and from the left side of the motor;

FIG. 2 is an isometric view of a motor incorporating my new design, viewed from behind, above, and from the left side of the motor;

FIG. 3 is a top plan view thereof;

FIG. 4 is a bottom plan view thereof;

FIG. 5 is left side elevation view thereof;

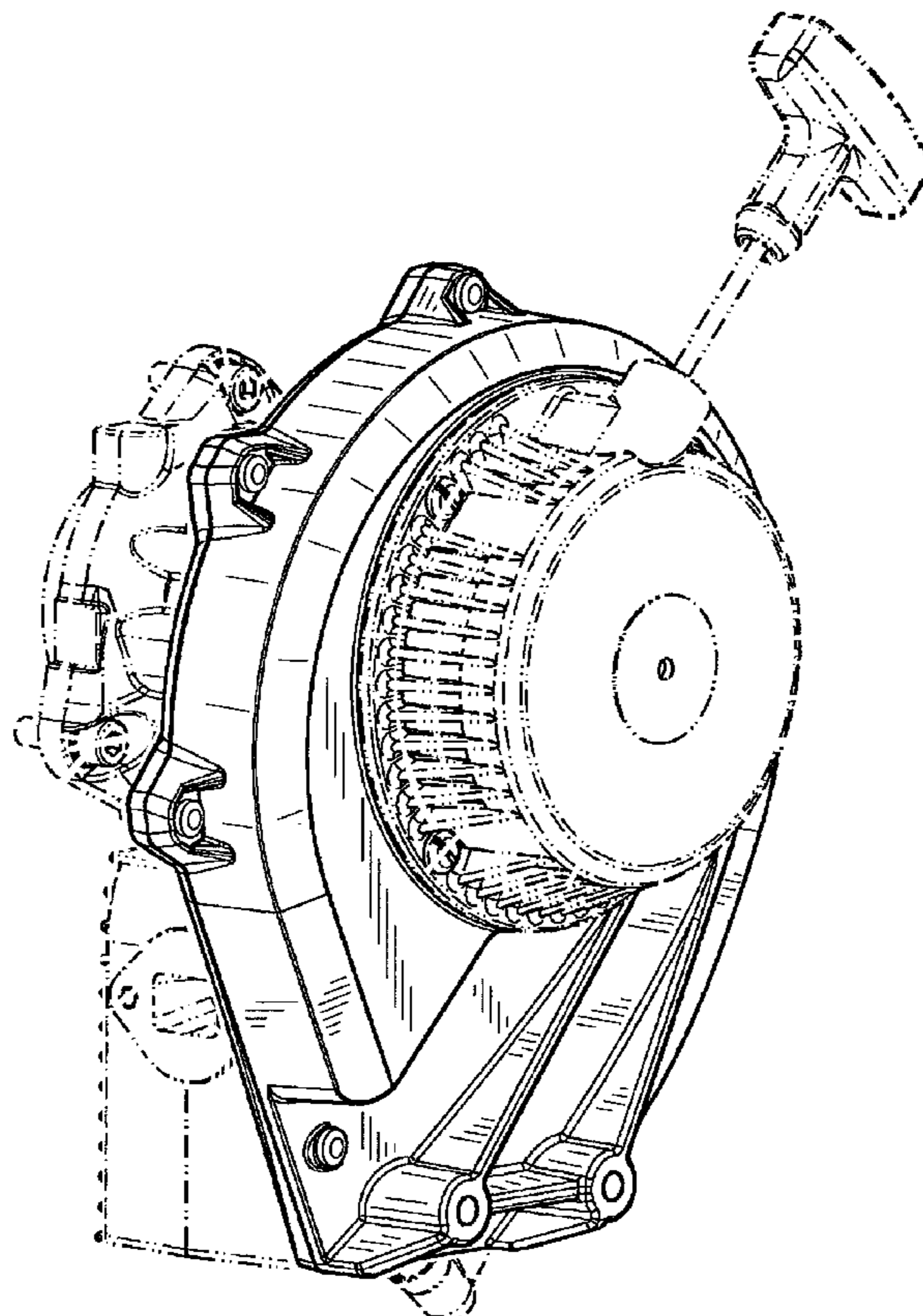
FIG. 6 is a right side elevation view thereof;

FIG. 7 is a front elevation view thereof; and,

FIG. 8 is a rear elevation view thereof.

The broken lines in FIGS. 1-8 are for illustrative purposes only and form no part of the claimed design

1 Claim, 8 Drawing Sheets



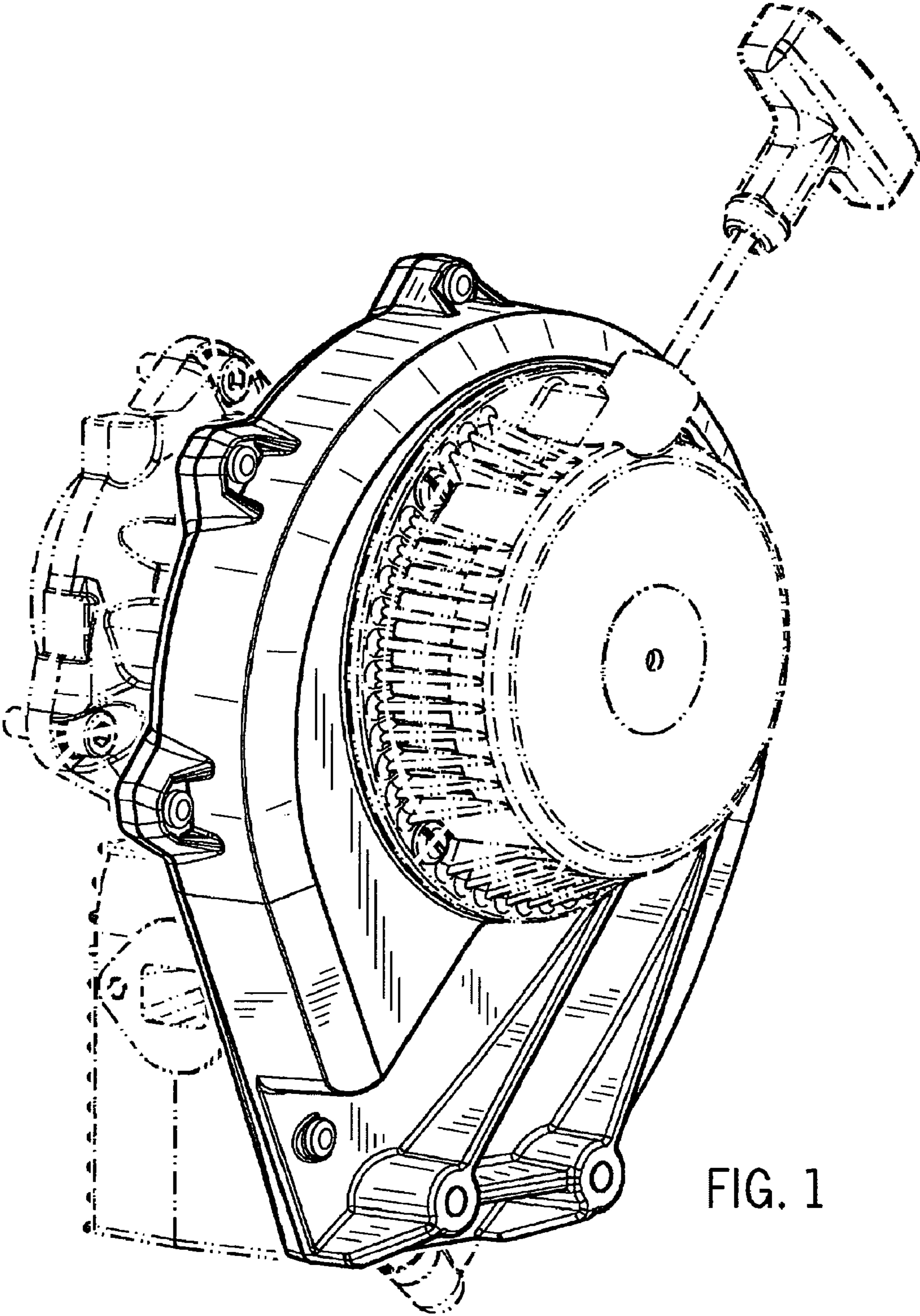


FIG. 1

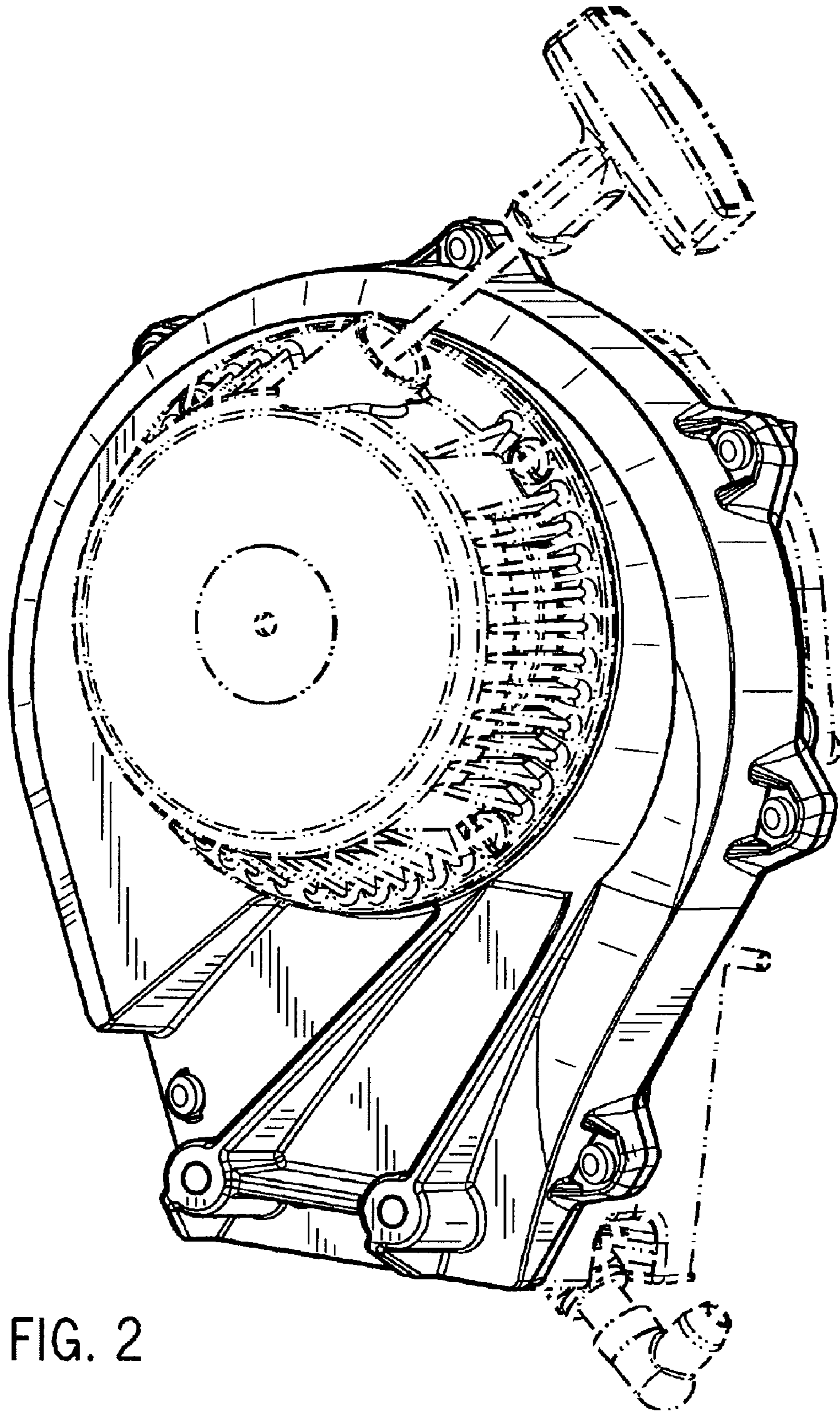


FIG. 2

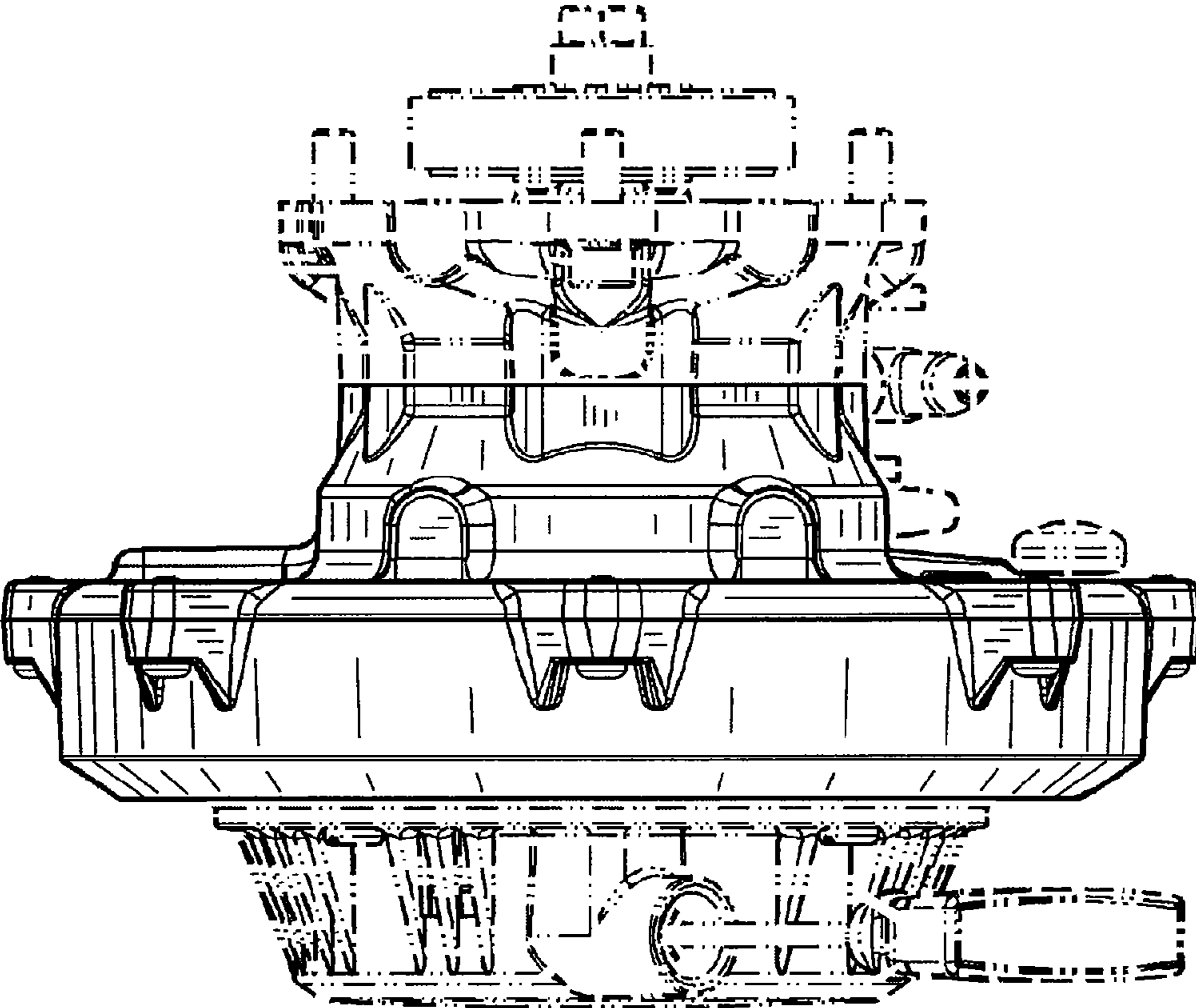


FIG. 3

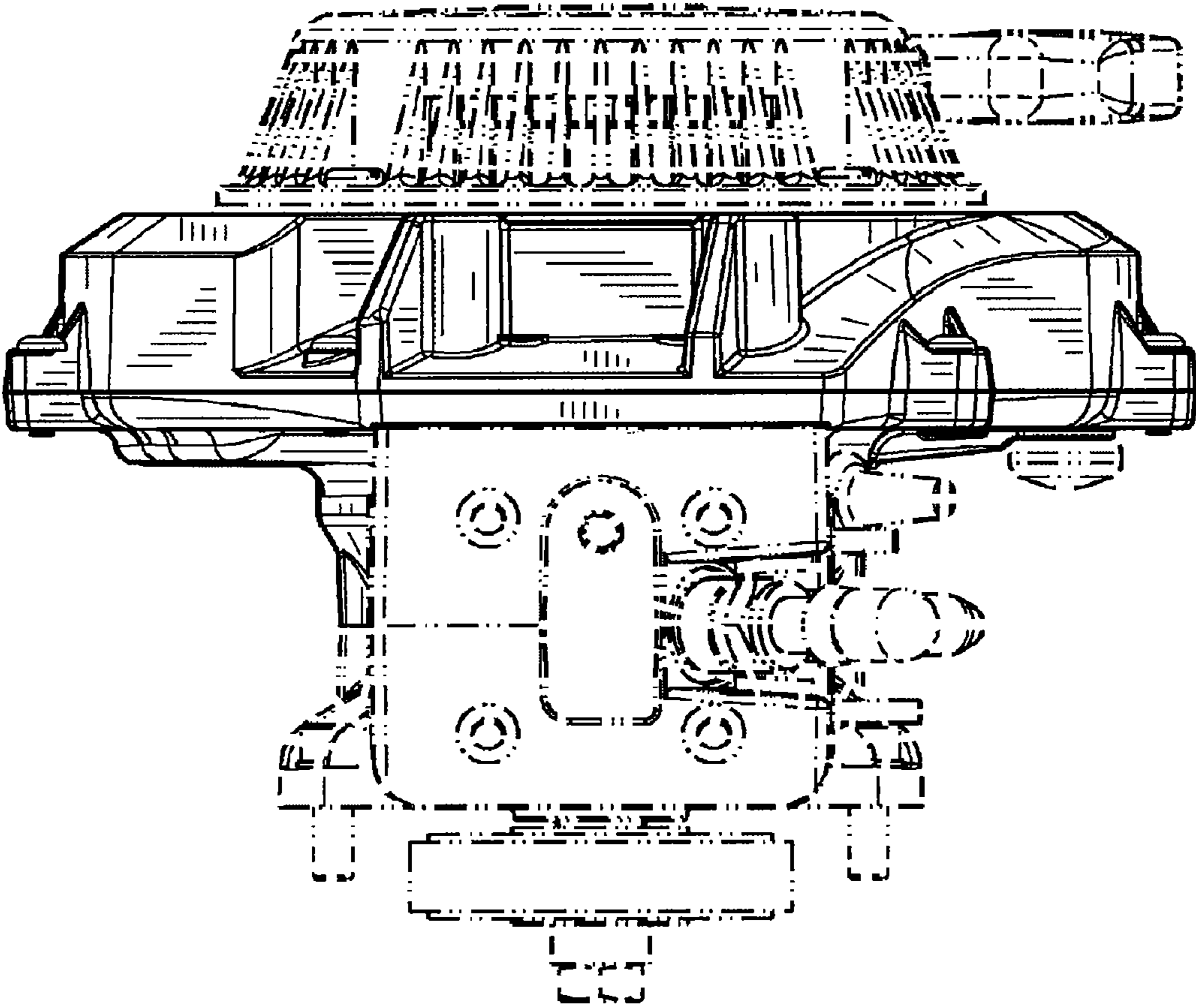


FIG. 4

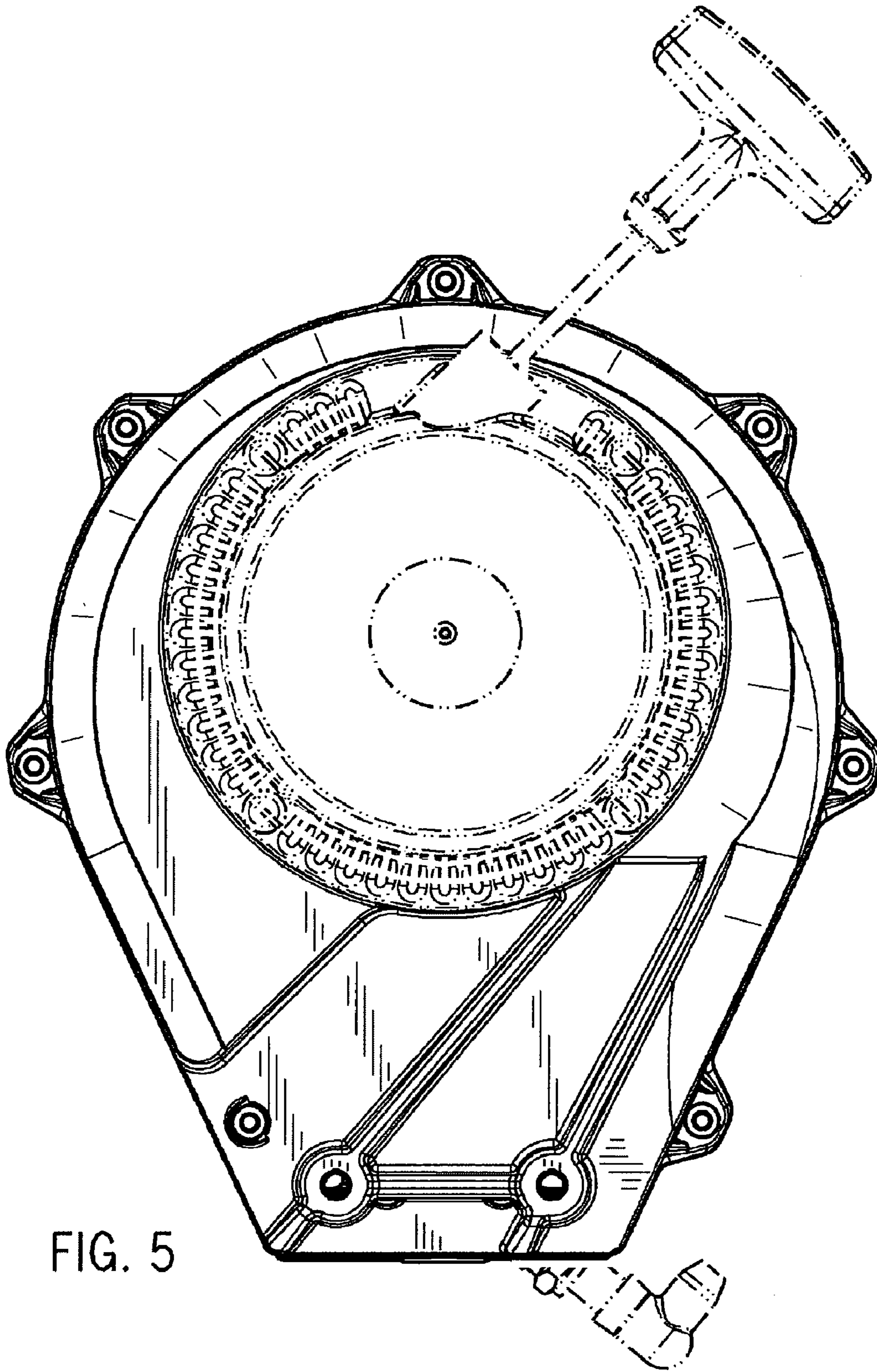


FIG. 5

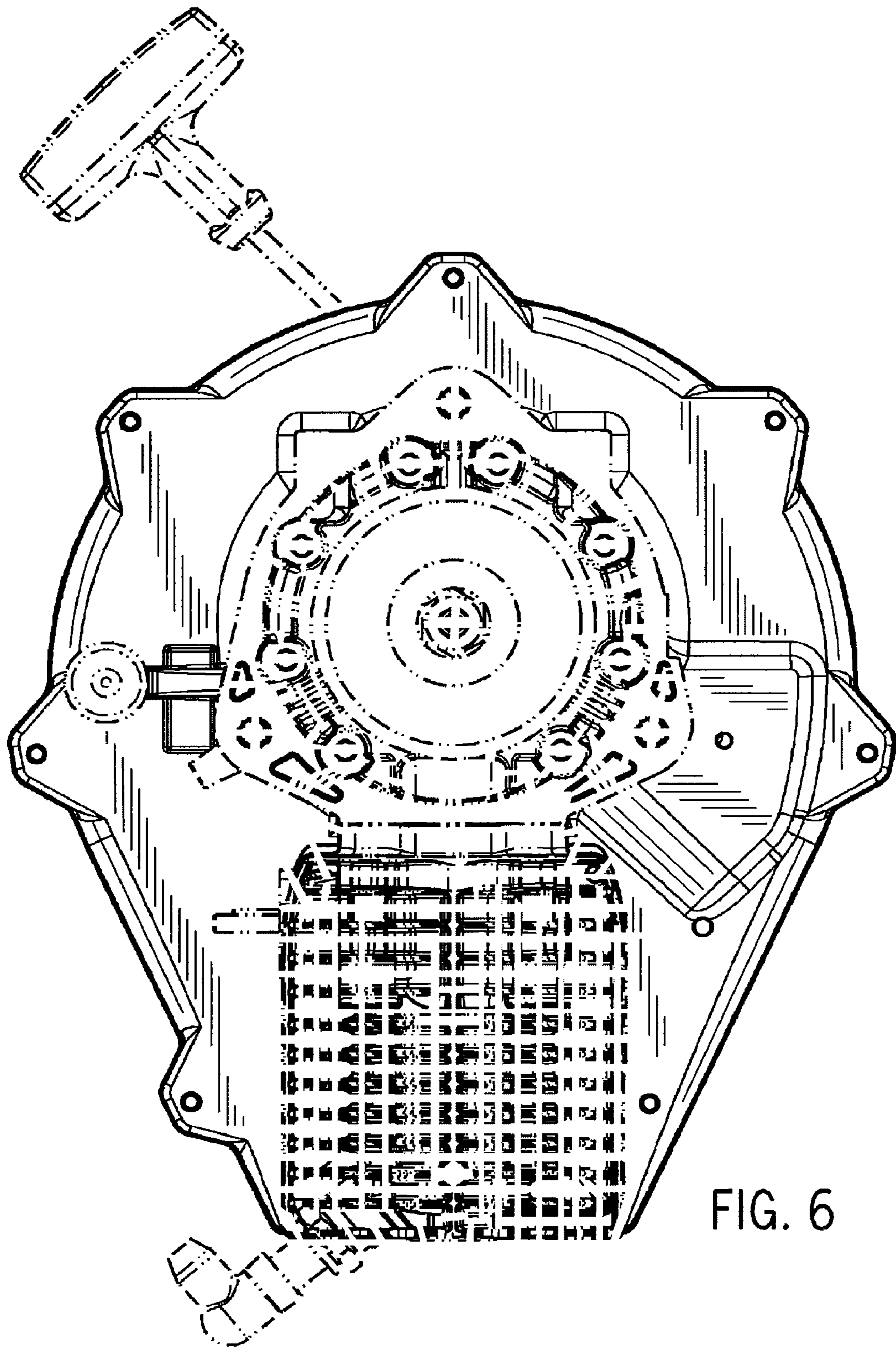


FIG. 6

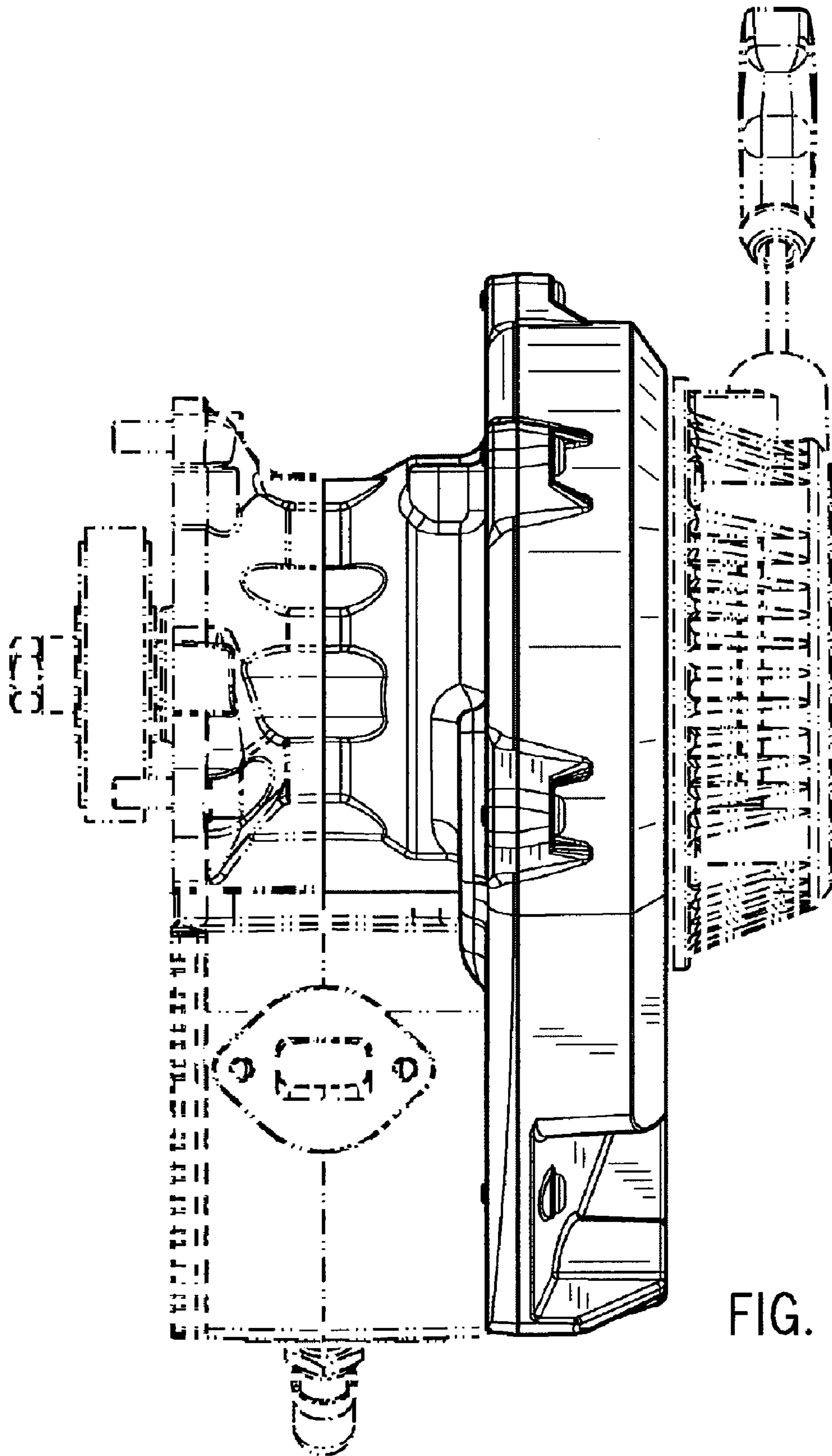


FIG. 7

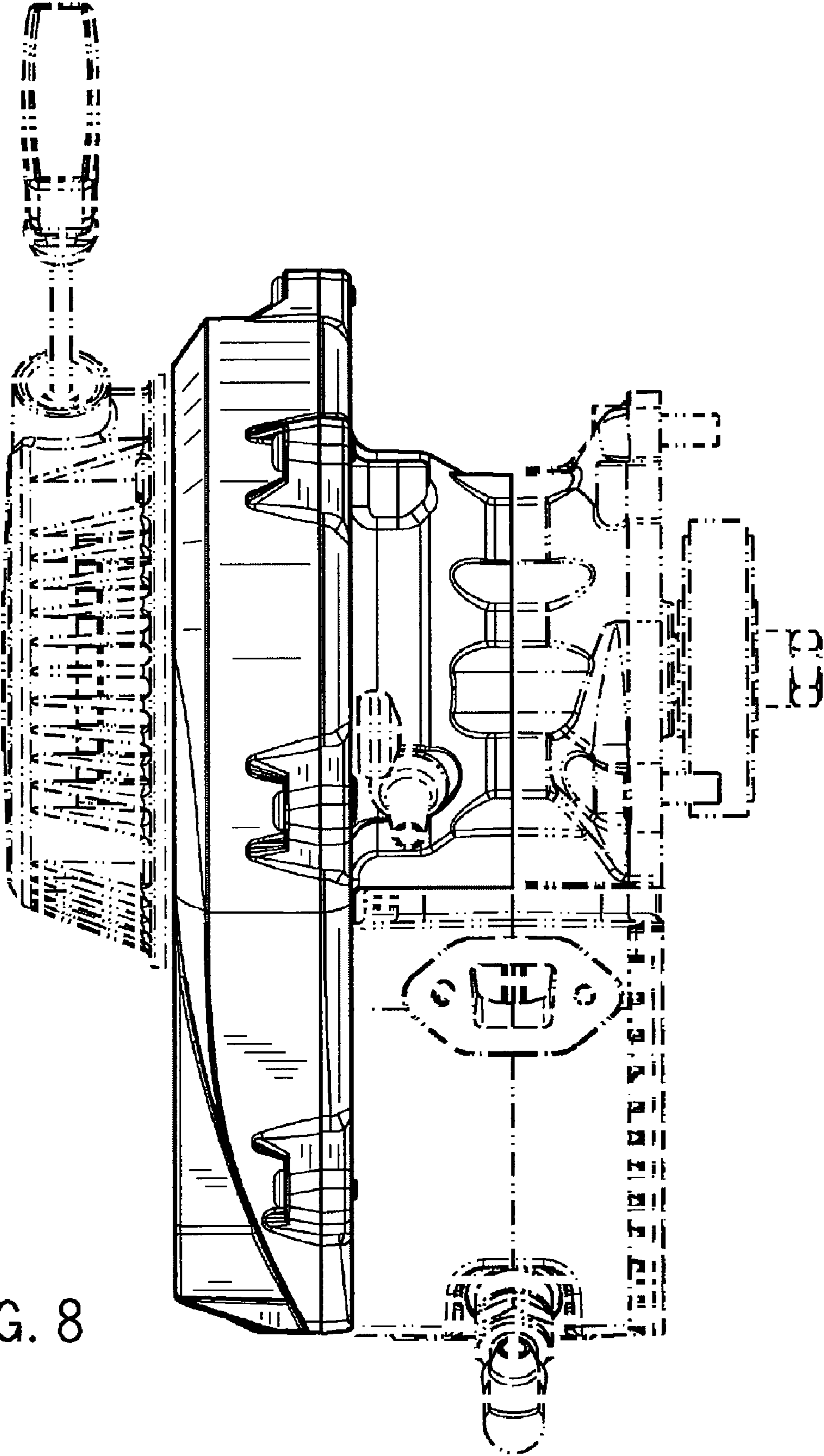


FIG. 8