



US00D636788S

(12) **United States Design Patent**  
**Luxon et al.**

(10) **Patent No.:** **US D636,788 S**  
(45) **Date of Patent:** **\*\* Apr. 26, 2011**

(54) **AIR INTAKE SNORKEL FOR A VEHICLE**

(75) Inventors: **Peter Luxon**, South Croydon (AU);  
**Manvir Randhawa**, South Croydon (AU)

(73) Assignee: **Australian Performance Development Pty Ltd**, South Croydon VIC (AU)

(\*\*) Term: **14 Years**

(21) Appl. No.: **29/347,726**

(22) Filed: **Apr. 23, 2010**

(30) **Foreign Application Priority Data**

Oct. 23, 2009 (AU) ..... 14122/2009

(51) **LOC (9) Cl.** ..... **15-01**

(52) **U.S. Cl.** ..... **D15/5; D12/400**

(58) **Field of Classification Search** ..... D15/1-6;  
123/184.21, 184.24, 184.34, 184.35, 23.2,  
123/184.48, 184.42; D12/400, 194, 206,  
D12/418; D24/110.5, 110.6

See application file for complete search history.

(56) **References Cited**

**U.S. PATENT DOCUMENTS**

6,564,766 B2 \* 5/2003 Ayton ..... 123/184.21  
6,637,537 B2 \* 10/2003 Porter et al. .... 180/309  
6,966,292 B2 \* 11/2005 Huang ..... 123/184.21  
D532,019 S \* 11/2006 Huang ..... D15/5  
D545,725 S \* 7/2007 Zimbardo ..... D12/114  
7,281,511 B2 \* 10/2007 Quezada ..... 123/184.53

D562,749 S \* 2/2008 LaRussa ..... D12/194  
7,685,985 B2 \* 3/2010 Madeira ..... 123/184.21  
D627,369 S \* 11/2010 Troxell ..... D15/5  
2002/0179030 A1 \* 12/2002 Fiesel et al. .... 123/184.42  
2003/0019456 A1 \* 1/2003 Ayton ..... 123/184.21  
2006/0185639 A1 \* 8/2006 Rosenbaum ..... 123/184.21  
2006/0196462 A1 \* 9/2006 Quezada ..... 123/184.21  
2010/0083928 A1 \* 4/2010 Saito et al. .... 123/184.56  
2010/0229817 A1 \* 9/2010 Hirai ..... 123/184.21  
2010/0229818 A1 \* 9/2010 Silvano ..... 123/184.21

\* cited by examiner

*Primary Examiner* — T. Chase Nelson

*Assistant Examiner* — Ania K Dworzecka

(74) *Attorney, Agent, or Firm* — Duane Morris LLP

(57) **CLAIM**

The ornamental design for an air intake snorkel for a vehicle, as shown and described.

**DESCRIPTION**

FIG. 1 is a front left perspective view of the air intake snorkel for a vehicle of the present invention.

FIG. 2 is a front right perspective view of the present invention.

FIG. 3 is left side elevational view of the present invention.

FIG. 4 is a right side elevational view of the present invention.

FIG. 5 is a front elevational view of the present invention.

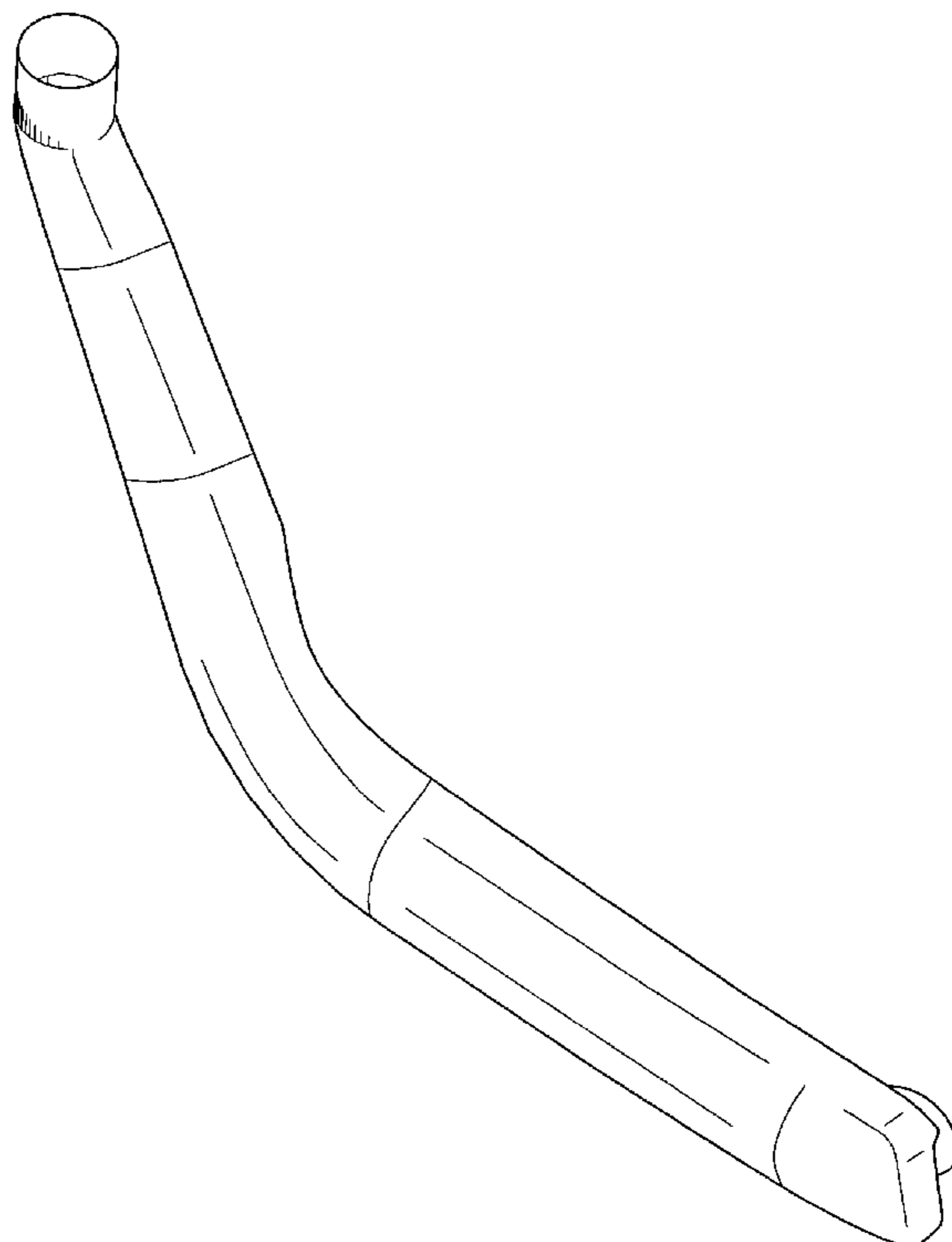
FIG. 6 is a rear elevational view of the present invention.

FIG. 7 is a top plan view of the present invention; and,

FIG. 8 is a bottom plan view of the present invention.

The broken lines showing environmental structure are for illustrative purposes only and form no part of the claimed design.

**1 Claim, 8 Drawing Sheets**



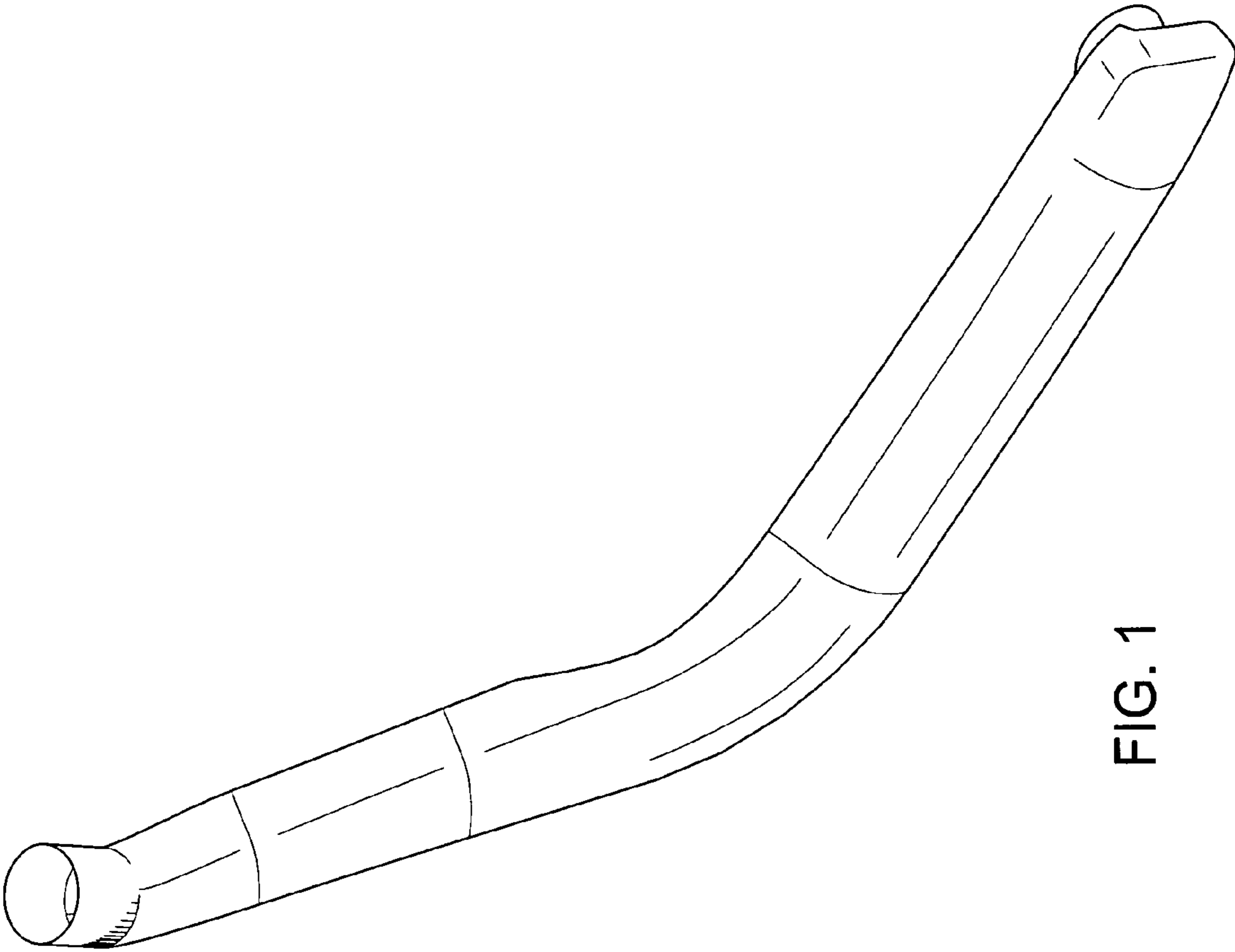


FIG. 1

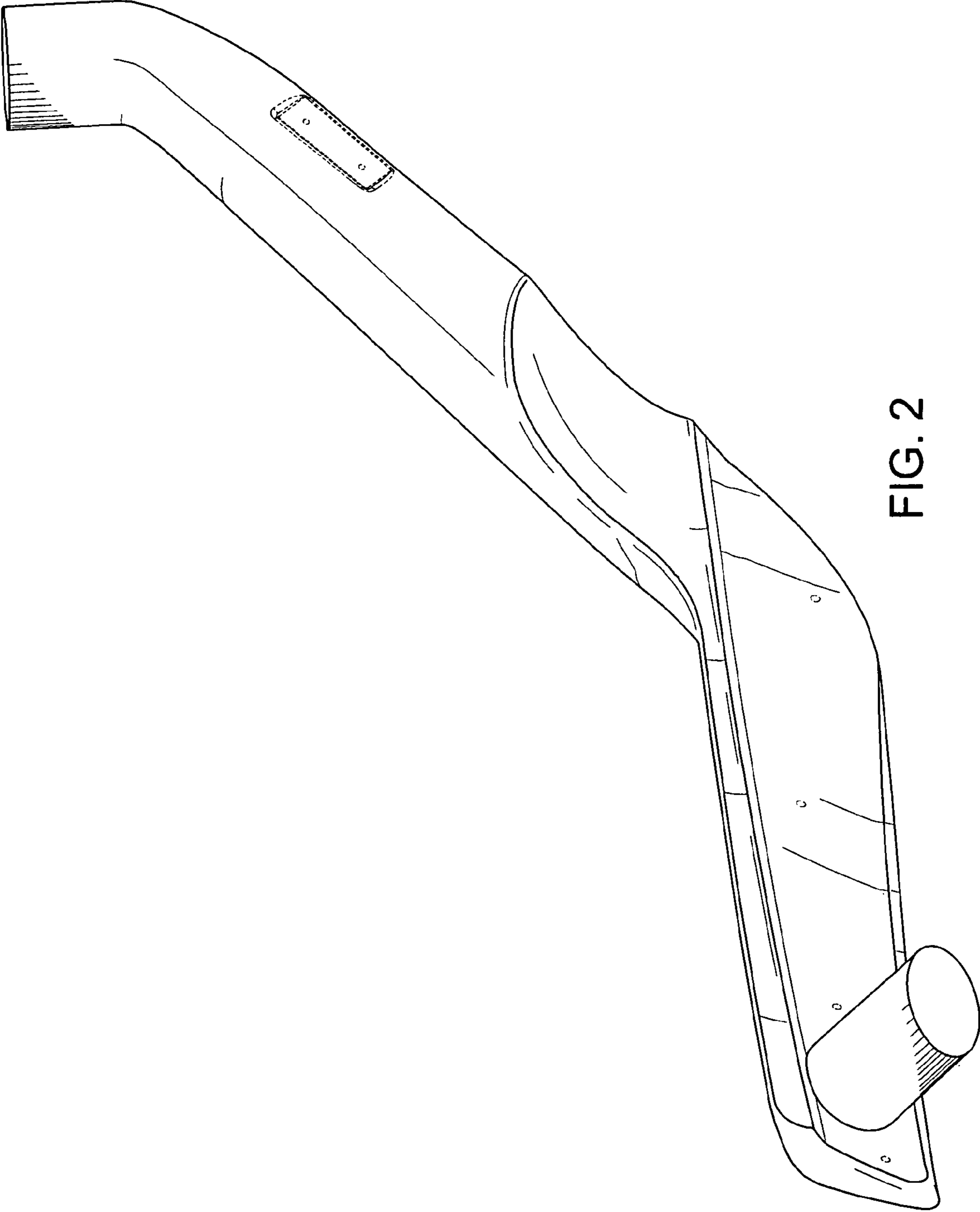


FIG. 2

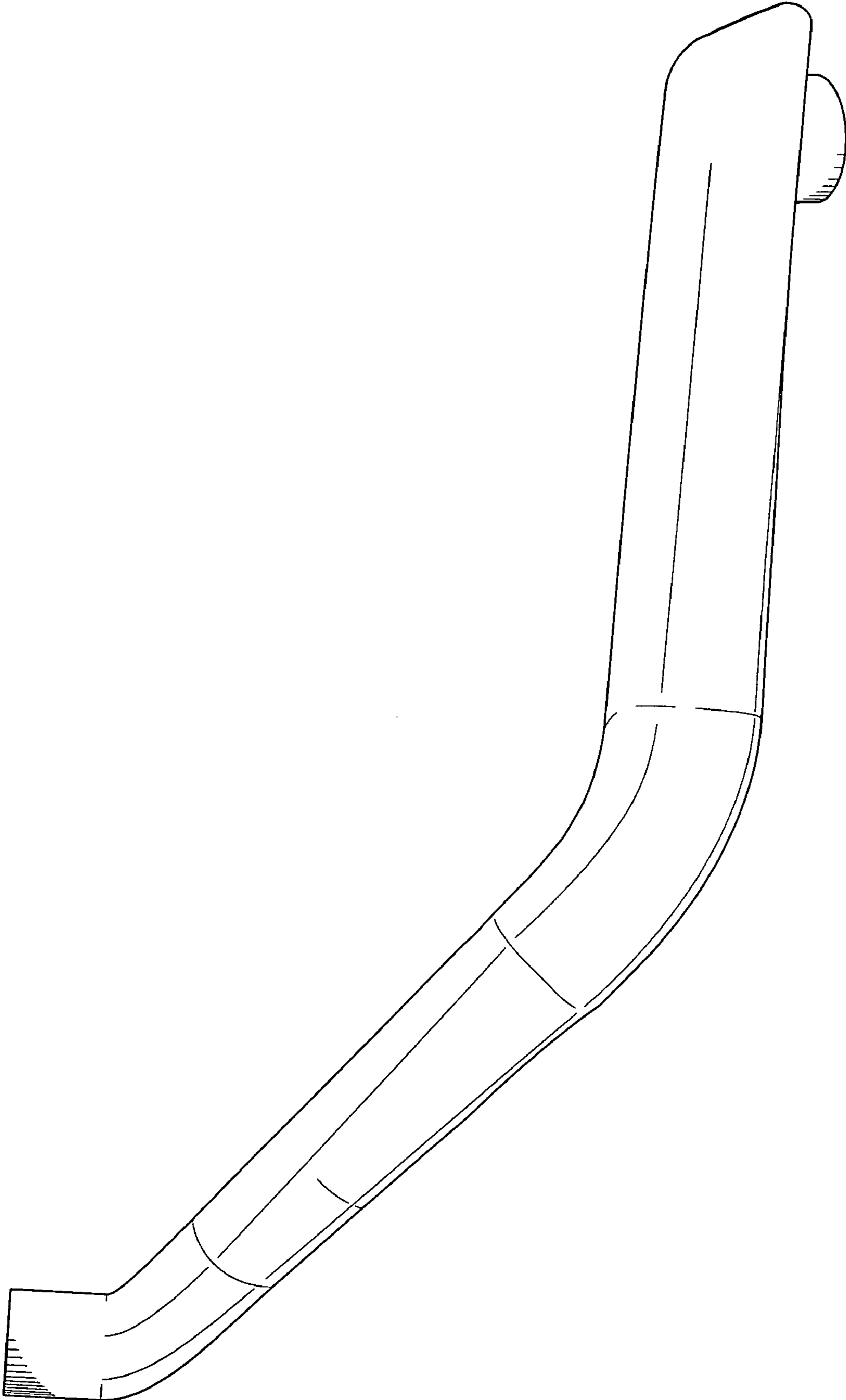


FIG. 3

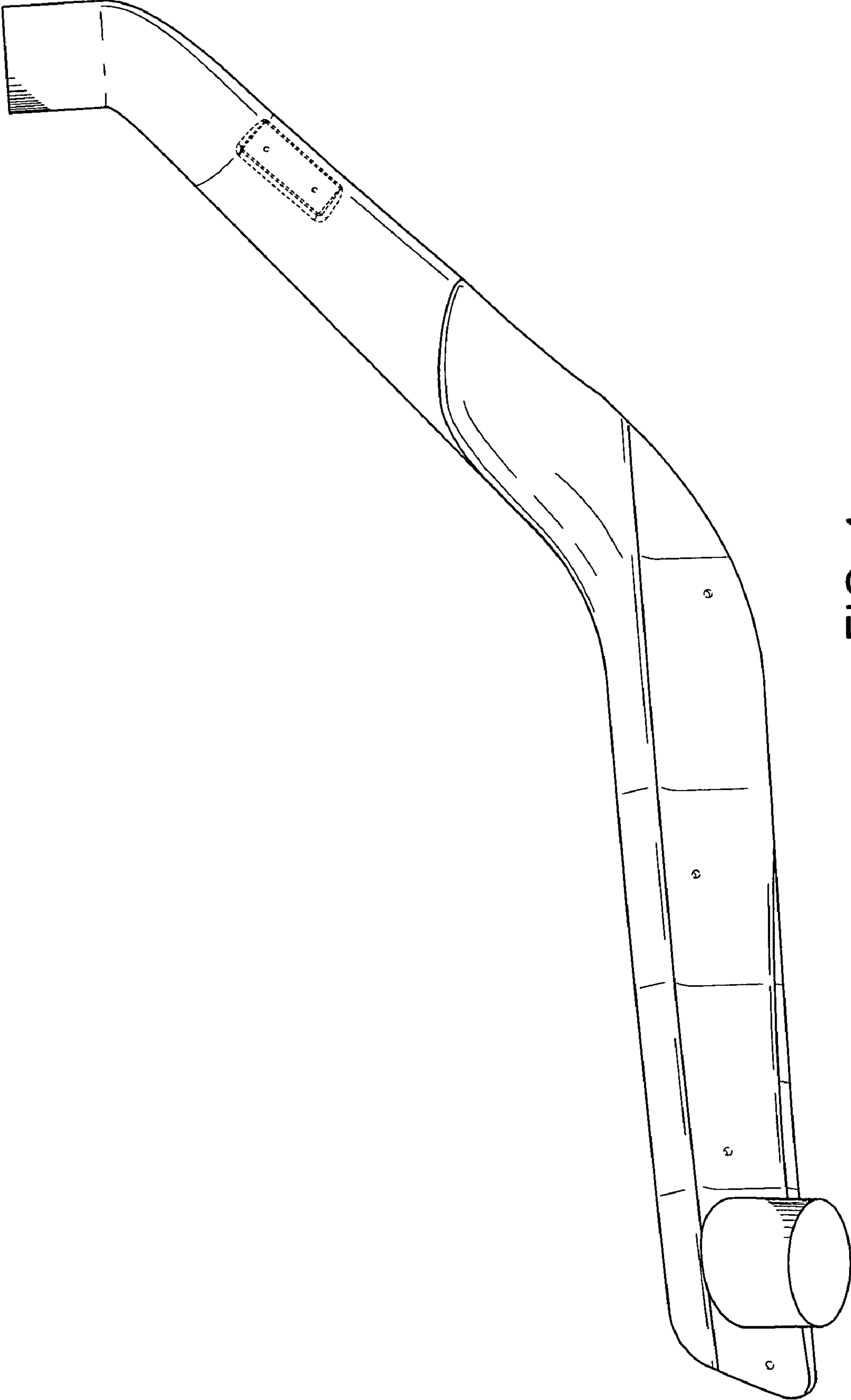


FIG. 4

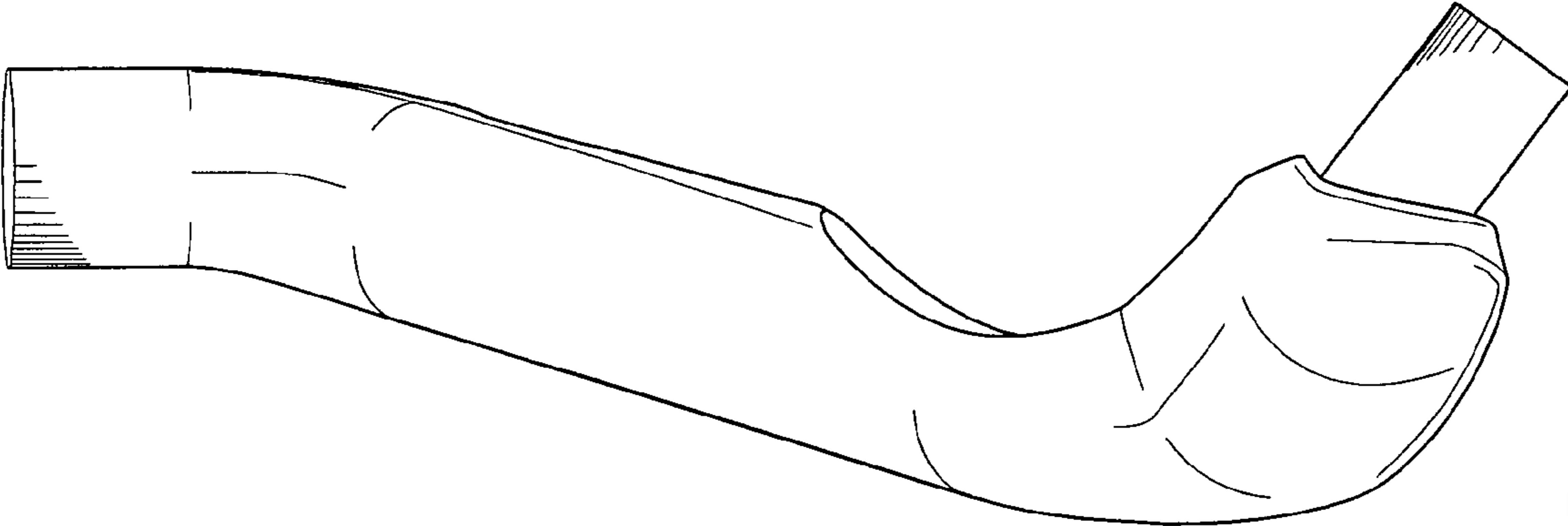


FIG. 5

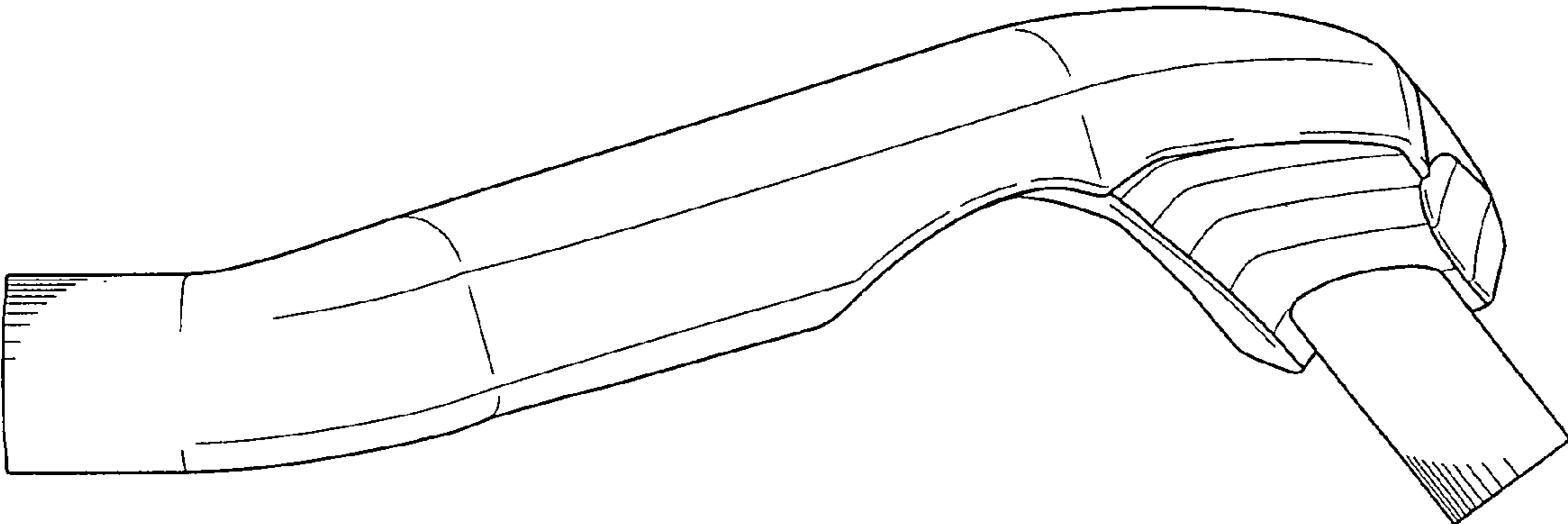


FIG. 6

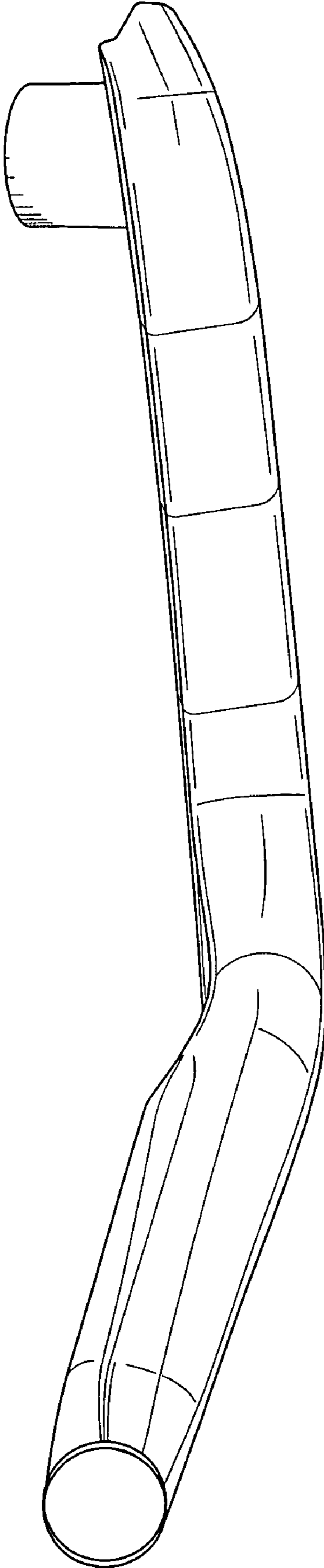


FIG. 7





FIG. 8