



US00D636776S

(12) **United States Design Patent**
Kuroda et al.

(10) **Patent No.:** **US D636,776 S**

(45) **Date of Patent:** **** Apr. 26, 2011**

(54) **SCANNER**

(75) Inventors: **Satoshi Kuroda**, Kahoku (JP); **Hiroyuki Kuroda**, Kahoku (JP); **Minoru Sugitani**, Kahoku (JP); **Toshiki Satoji**, Milan (IT); **Alvise Gangarossa**, Milan (IT)

(73) Assignee: **PFU Limited**, Kahoku-shi (JP)

(**) Term: **14 Years**

(21) Appl. No.: **29/364,523**

(22) Filed: **Jun. 24, 2010**

(30) **Foreign Application Priority Data**

Apr. 7, 2010 (JP) 2010-008728

(51) **LOC (9) Cl.** **14-02**

(52) **U.S. Cl.** **D14/422**

(58) **Field of Classification Search** D14/420-425, D14/462-470, 389, 125, 399; D18/50, 54, D18/55, 53, 36-39, 14, 18-21, 49, 52, 51, D18/54.4; 358/400, 401, 448, 474, 486-488, 358/496; 382/312, 317, 321, 315; 400/613, 400/613.1-613.4, 690.1-690.4, 691-694, 400/88, 175; 399/107, 379, 380, 211, 212; 235/462.11, 462.41, 472.01, 470, 462.43; 361/680, 681

See application file for complete search history.

(56) **References Cited**

U.S. PATENT DOCUMENTS

D35,254 S	11/1901	Faber
D195,010 S	4/1963	Reick
D201,300 S	6/1965	Seely, Jr.
D208,294 S	8/1967	Dallaire
D248,243 S	6/1978	South
D272,429 S	1/1984	Trombley et al.
D284,565 S	7/1986	Trombley et al.
D289,780 S	5/1987	Kenney

D289,891 S	5/1987	Bielby	
D292,990 S	12/1987	Eliasson	
D297,465 S	8/1988	Nally et al.	
D300,918 S	5/1989	Turner	
D308,506 S	6/1990	Nozel et al.	
D308,696 S	6/1990	Tanizawa et al.	
D310,539 S	9/1990	Komada et al.	
D311,756 S	10/1990	Groswith et al.	
D314,212 S	1/1991	Komada et al.	
D316,869 S	* 5/1991	Sugawara et al.	D18/54
D361,402 S	8/1995	Herst et al.	
D362,014 S	9/1995	Ishibashi et al.	
D366,900 S	* 2/1996	Pangburn et al.	D18/50
D373,595 S	* 9/1996	Askren et al.	D18/50
D375,119 S	* 10/1996	Pangburn	D18/50
D378,525 S	3/1997	Ito	
D378,829 S	4/1997	Aoyama et al.	
D382,256 S	* 8/1997	Lin	D14/422
D388,182 S	12/1997	Payton et al.	
D401,617 S	11/1998	Miyazawa	
D401,965 S	* 12/1998	Pangburn	D18/55
D402,686 S	12/1998	Miyazawa	

(Continued)

Primary Examiner — Susan Moon Lee

(74) *Attorney, Agent, or Firm* — RatnerPrestia

(57) **CLAIM**

The ornamental design for a scanner, as shown and described.

DESCRIPTION

FIG. 1 is a front perspective view of a scanner showing our new design;

FIG. 2 is a rear perspective view thereof;

FIG. 3 is a front view thereof;

FIG. 4 is a rear view thereof;

FIG. 5 is a left side view thereof;

FIG. 6 is a right side view thereof;

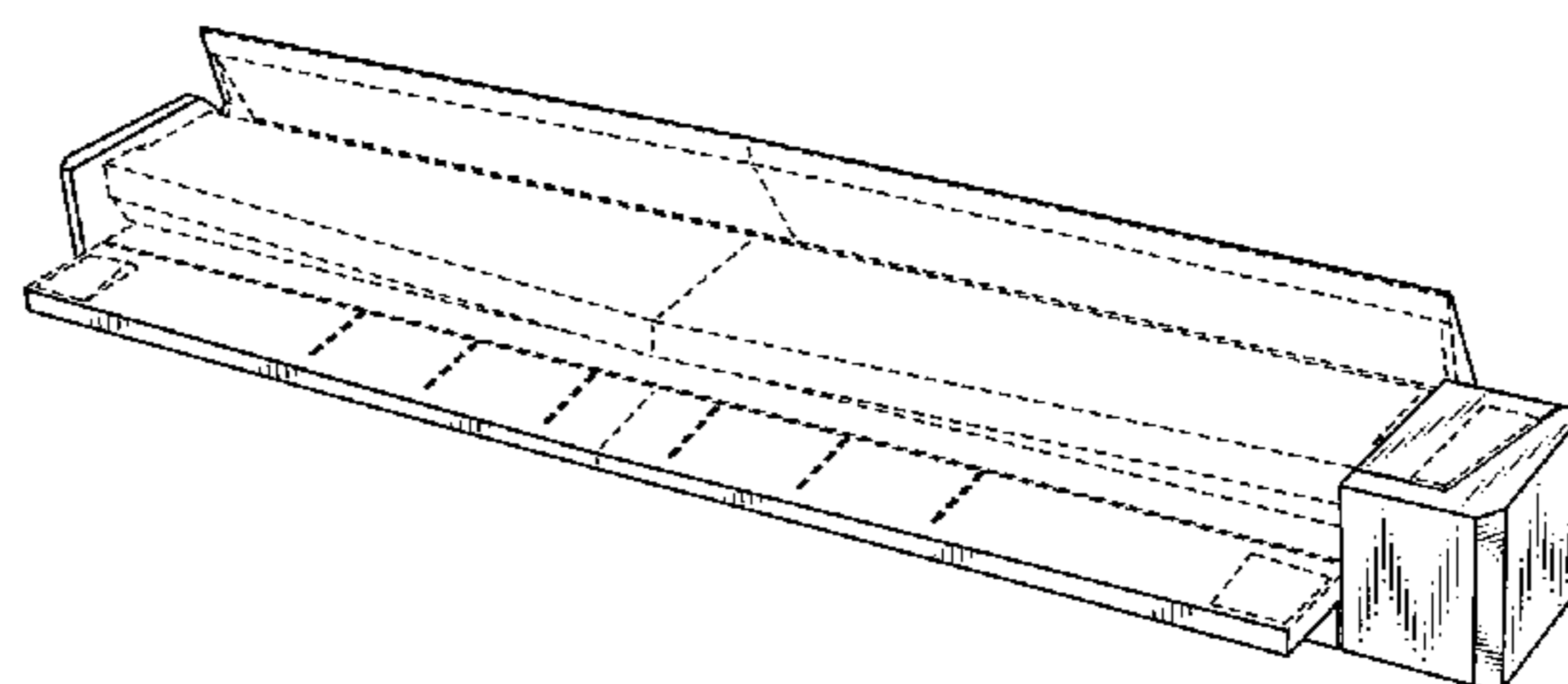
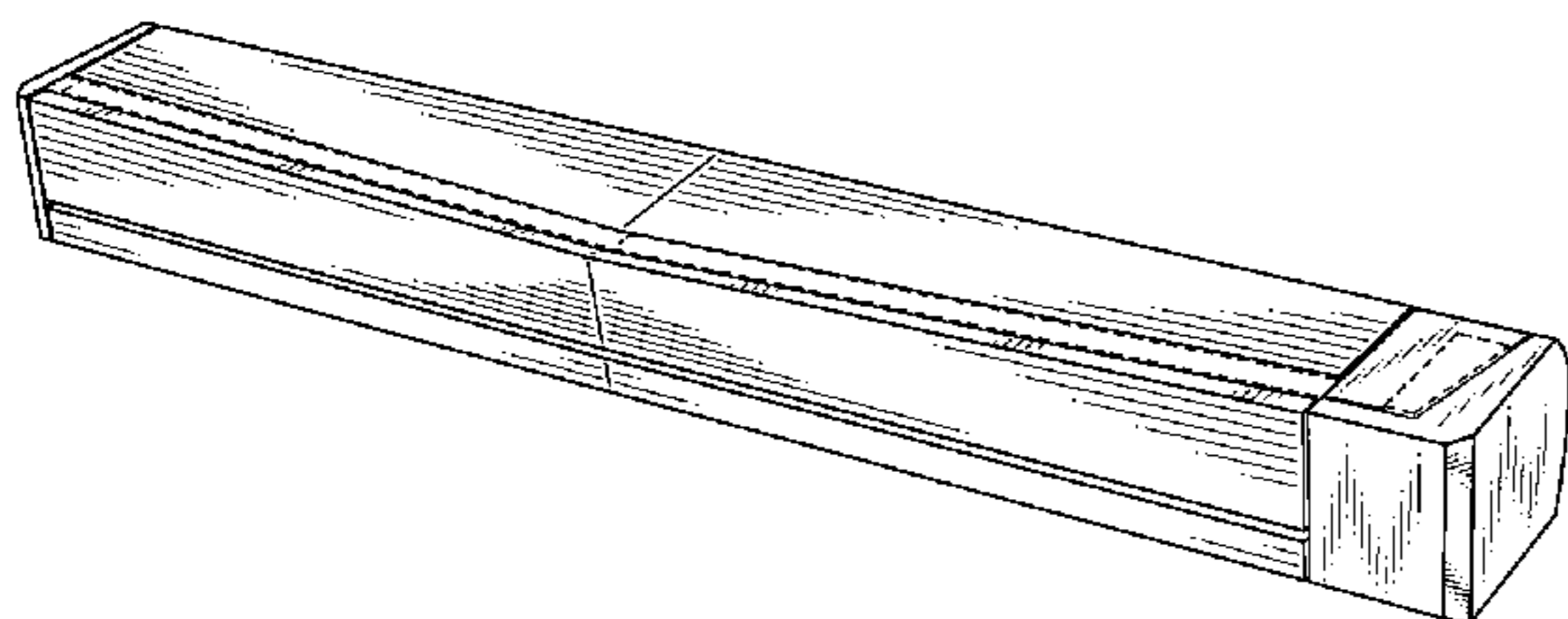
FIG. 7 is a top plan view thereof;

FIG. 8 is a bottom plan view thereof; and,

FIG. 9 is a front perspective view thereof in open position.

The broken lines are environmental only and form no part of the claimed design.

1 Claim, 2 Drawing Sheets



US D636,776 S

Page 2

U.S. PATENT DOCUMENTS

5,878,306	A	3/1999	Michlin		6,707,584	B1 *	3/2004	Morita	358/498
D414,508	S *	9/1999	Pangburn	D18/55	D489,401	S *	5/2004	Senshiki et al.	D18/54
D420,663	S *	2/2000	Goldenberg et al.	D14/138 AB	D492,958	S	7/2004	Karakama et al.	
D421,768	S *	3/2000	Blair et al.	D18/50	D492,960	S *	7/2004	Takizawa	D18/54
D422,570	S *	4/2000	Kobayashi	D14/509	D493,245	S	7/2004	Delson	
D423,563	S *	4/2000	Collins et al.	D18/55	D496,395	S	9/2004	Miyagawa	
D424,099	S *	5/2000	Pangburn	D18/50	6,786,665	B2 *	9/2004	Hwang et al.	400/693
D424,608	S	5/2000	Yorifuji et al.		D497,940	S *	11/2004	Hwang et al.	D18/50
D432,565	S *	10/2000	Gassett et al.	D18/55	6,848,685	B2 *	2/2005	Katsuyama	271/162
D433,443	S *	11/2000	Ito et al.	D18/55	6,899,422	B2 *	5/2005	Strowe et al.	347/108
D435,266	S *	12/2000	Sekine et al.	D18/55	6,899,474	B2 *	5/2005	Uchida et al.	400/27
D435,267	S *	12/2000	Beck et al.	D18/55	6,962,412	B2 *	11/2005	Koike et al.	347/108
D438,891	S	3/2001	Hoshino et al.		D514,161	S *	1/2006	Wong et al.	D18/55
D438,895	S *	3/2001	Pangburn	D18/55	6,991,331	B2 *	1/2006	Kagami et al.	347/108
D439,183	S	3/2001	Diller, Jr.		7,029,113	B2 *	4/2006	Hwang	347/108
D439,607	S *	3/2001	Inoue et al.	D18/54	D521,545	S	5/2006	Ishii et al.	
6,231,043	B1 *	5/2001	James et al.	271/209	D523,469	S *	6/2006	Hwang et al.	D18/50
D447,511	S	9/2001	Kimura et al.		D523,894	S	6/2006	Ishii et al.	
D452,706	S *	1/2002	Senshiki	D18/55	D524,851	S *	7/2006	Wong et al.	D18/55
D454,583	S *	3/2002	Whitby et al.	D18/50	D532,544	S	11/2006	Woertler	
D463,485	S *	9/2002	Yoshida et al.	D18/50	D533,897	S *	12/2006	Workman et al.	D18/34.3
D465,515	S *	11/2002	Hwang et al.	D18/55	D534,204	S *	12/2006	Workman et al.	D18/34.3
D466,552	S *	12/2002	Hwang et al.	D18/55	D536,731	S *	2/2007	Tate et al.	D18/50
D466,920	S *	12/2002	Kawahara et al.	D18/50	D543,583	S *	5/2007	Workman et al.	D18/34.3
D467,265	S	12/2002	Suzuki et al.		D545,891	S *	7/2007	Ramos et al.	D18/49
D468,333	S	1/2003	Fenton		D549,705	S *	8/2007	Sugitani et al.	D14/422
D469,551	S	1/2003	Mobius		7,265,869	B2 *	9/2007	Silverbrook et al.	358/1.3
D470,172	S *	2/2003	Tatara et al.	D18/55	7,290,952	B2 *	11/2007	Kagami	400/693
D471,583	S	3/2003	Okabe et al.		D559,893	S	1/2008	Kouroku et al.	
6,540,219	B1 *	4/2003	Naruse et al.	271/37	D563,413	S *	3/2008	Kuroda et al.	D14/422
D474,770	S *	5/2003	Chujou et al.	D14/425	D564,519	S *	3/2008	Genatossio et al.	D14/422
6,557,992	B1 *	5/2003	Dwyer et al.	347/108	D571,934	S	6/2008	Stokes et al.	
6,568,674	B2 *	5/2003	Matsuda	271/274	7,431,447	B2 *	10/2008	Jensen	347/108
D478,119	S *	8/2003	Hwang et al.	D18/55	D601,754	S	10/2009	Keene	
D480,752	S *	10/2003	Tatara et al.	D18/55	D605,103	S	12/2009	Schuephaus et al.	
D483,059	S *	12/2003	Goh et al.	D18/50	D629,128	S	12/2010	Lim et al.	
D483,060	S *	12/2003	Wong et al.	D18/50	2003/0030712	A1 *	2/2003	Kawaguchi et al.	347/104
D483,061	S *	12/2003	Wong	D18/55	2003/0206762	A1 *	11/2003	Hwang et al.	400/693
6,676,318	B2 *	1/2004	Hwang et al.	400/693	2004/0004642	A1 *	1/2004	Koike et al.	347/5
D486,178	S *	2/2004	Wong et al.	D18/55	2004/0207144	A1 *	10/2004	Kanome et al.	271/9.01

* cited by examiner

Fig.1

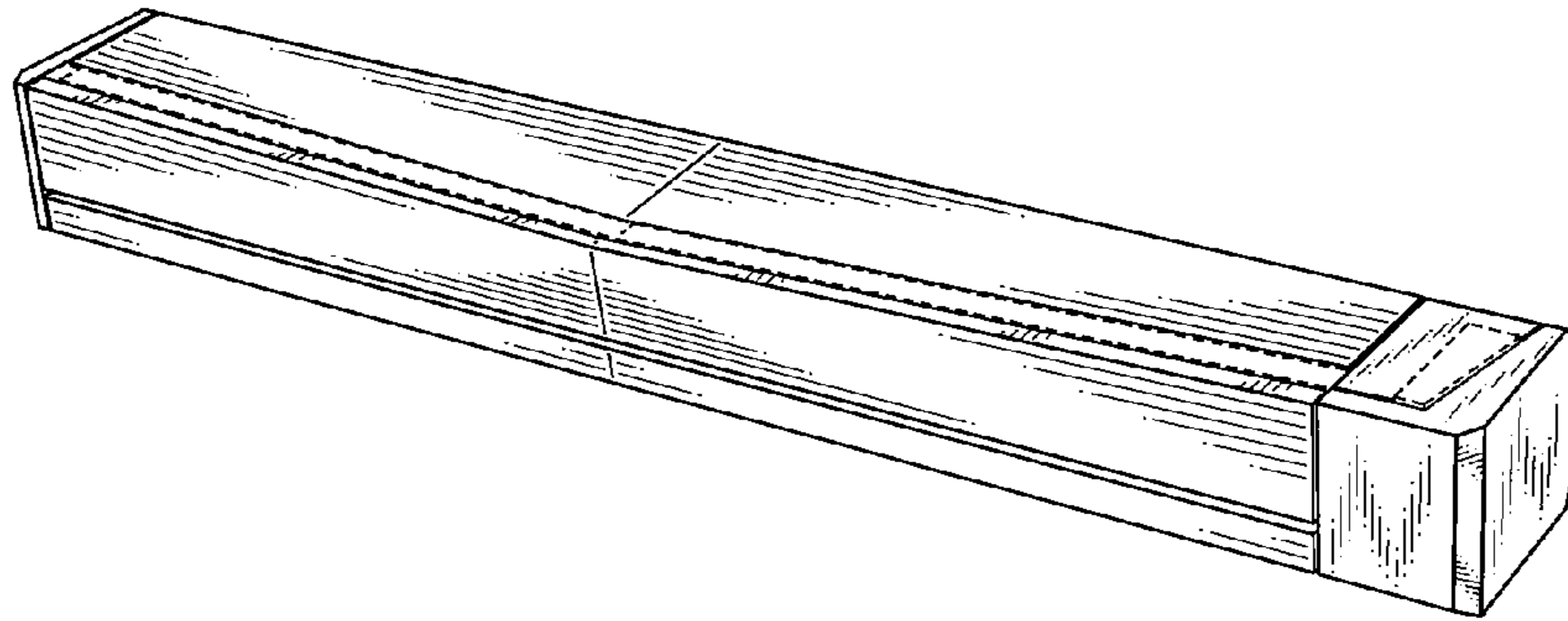


Fig.2

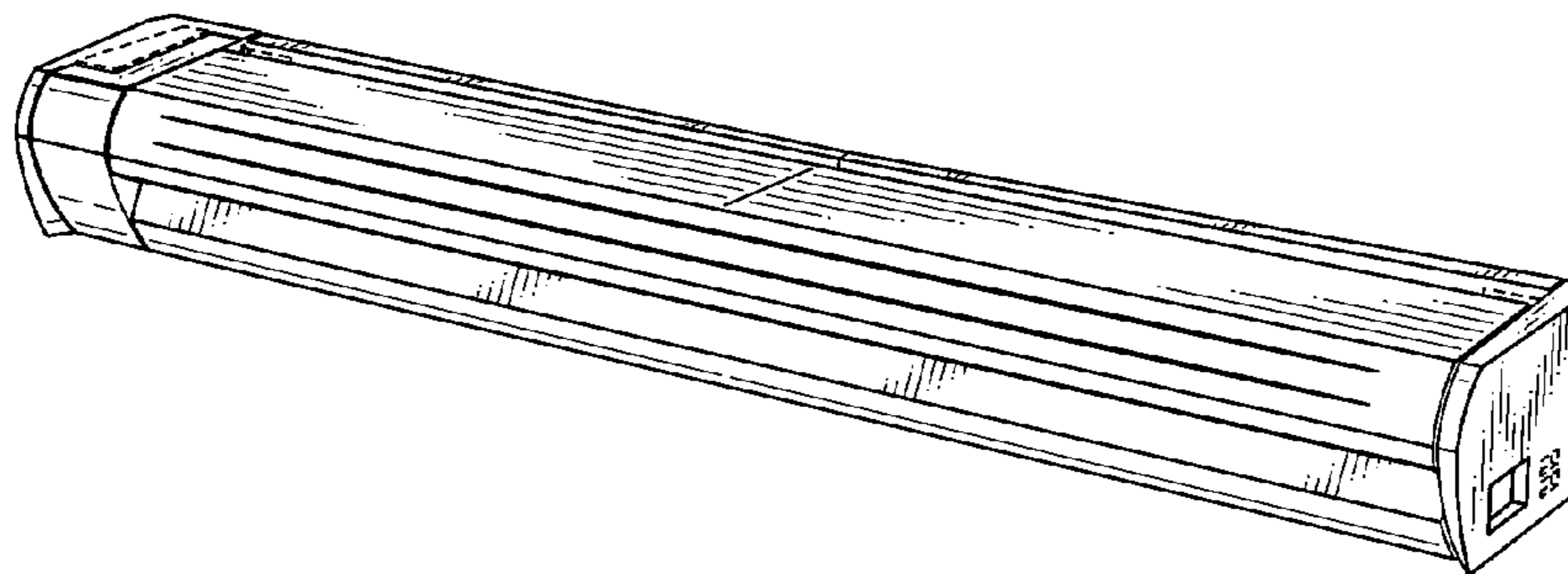


Fig.3

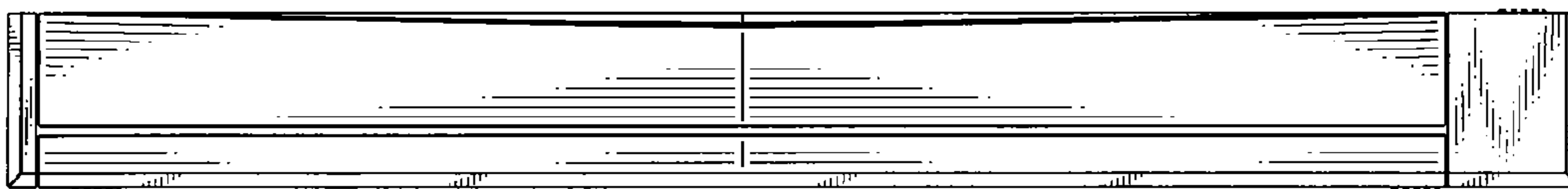


Fig.4

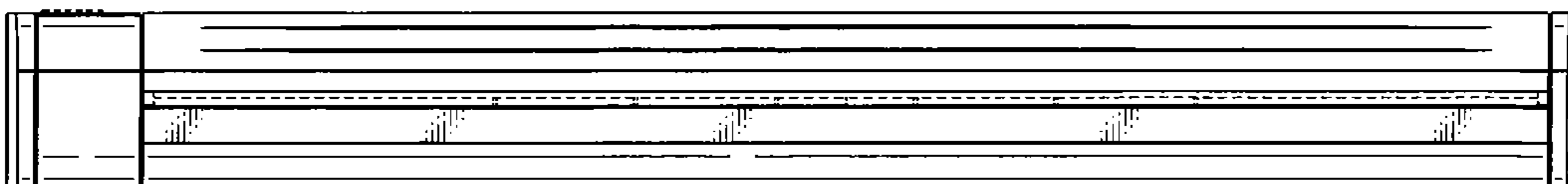


Fig.5

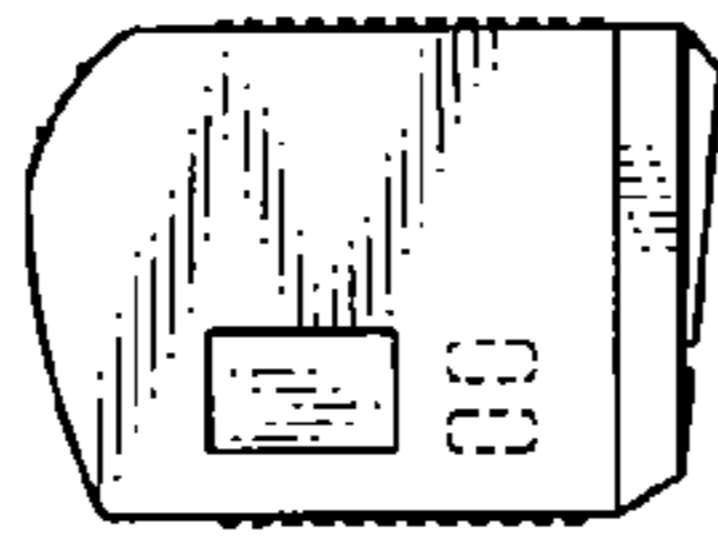


Fig.6

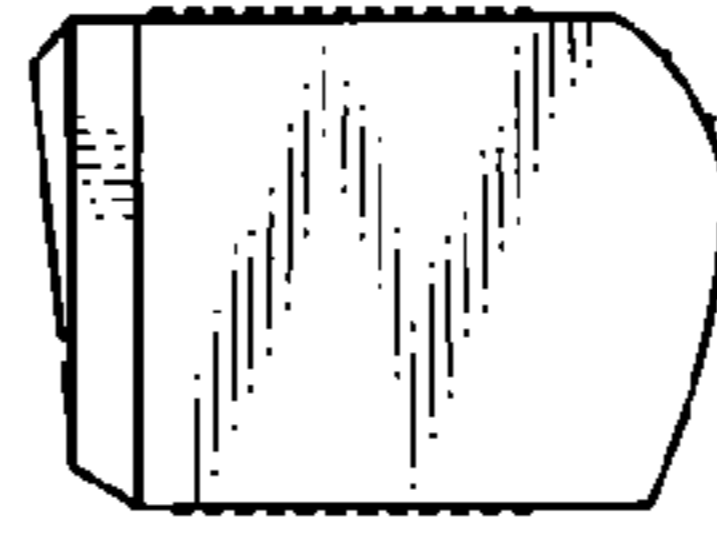


Fig.7

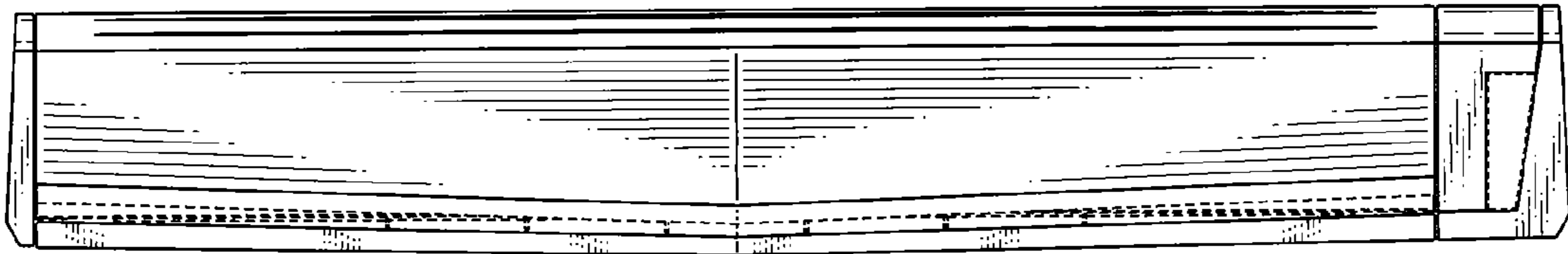


Fig.8

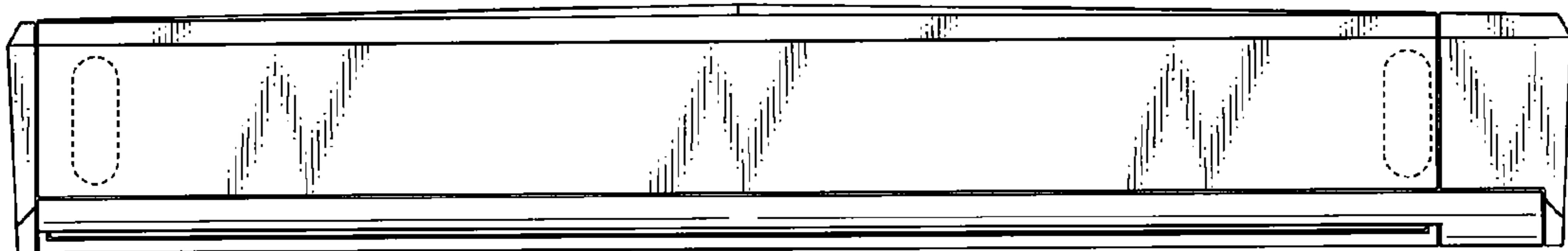


Fig.9

